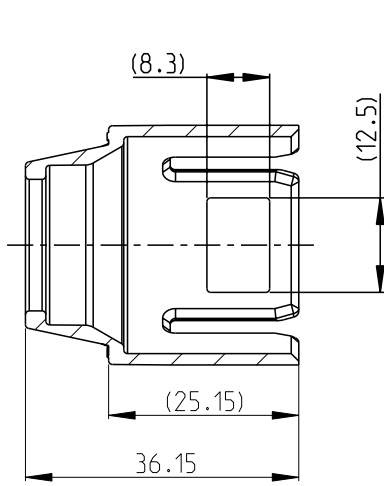
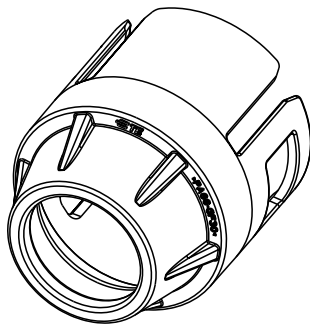
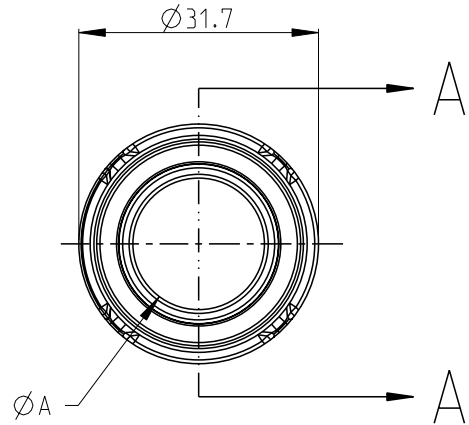


REVISIONS					
P	LTR	DESCRIPTION	DATE	DWN	APVD
	A	INITIAL DRAWING	26AUG21	S.T	I.Y
	A1	REVISE	21JUL22	C.C	Z.Z



SECTION A-A



- 1 MATERIAL: PA66-GF30  
COLOR: SEE TABLE
- 2. BULK PACKAGED



2394113-3	CABLE COVER - 70SQ	1	ORANGE	Ø 17.4	16.7	17.3
2394113-2	CABLE COVER - 50SQ	1	ORANGE	Ø 15.3	14.6	15.2
2394113-1	CABLE COVER - 35SQ	1	ORANGE	Ø 13.1	12.4	13.0
PART NO.	DESCRIPTION	MATERIAL	COLOR	DIM.A	MIN.	MAX.
					CABLE O.D.	

© 2021 TE Connectivity. All Rights Reserved.

Printed on 22 Jul 2022 17:37 (China Standard Time) from TE463955

DIMENSIONS:		DWN	26AUG2021	MATERIAL	1	FINISH	
mm		S.TAN		<b>TE</b> TE Connectivity			
TOLERANCES UNLESS OTHERWISE SPECIFIED:		CHK	26AUG2021				
±0.3		J.LI		NAME CABLE COVER HVP-HD1000			
±0.1		APVD	26AUG2021				
±0.01		I.YIN		SIZE A 4 CAGE CODE 00779 DRAWING NO C-2394113 RESTRICTED TO -			
±0.001		PRODUCT SPEC	108-160341				
±0.0001		APPLICATION SPEC	114-160182	SCALE 1:1 SHEET 1 OF 1 REV A1			
ANGLES ±		WEIGHT					
		CUSTOMER DRAWING					