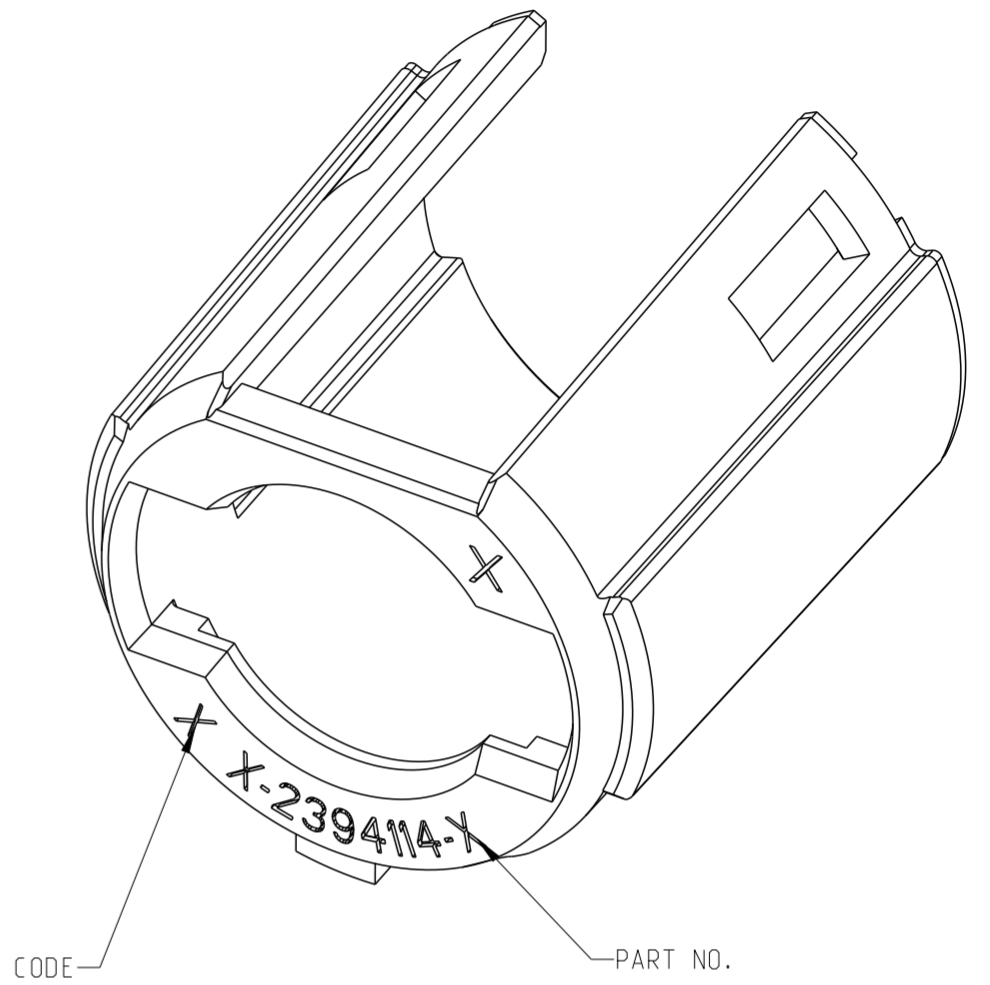
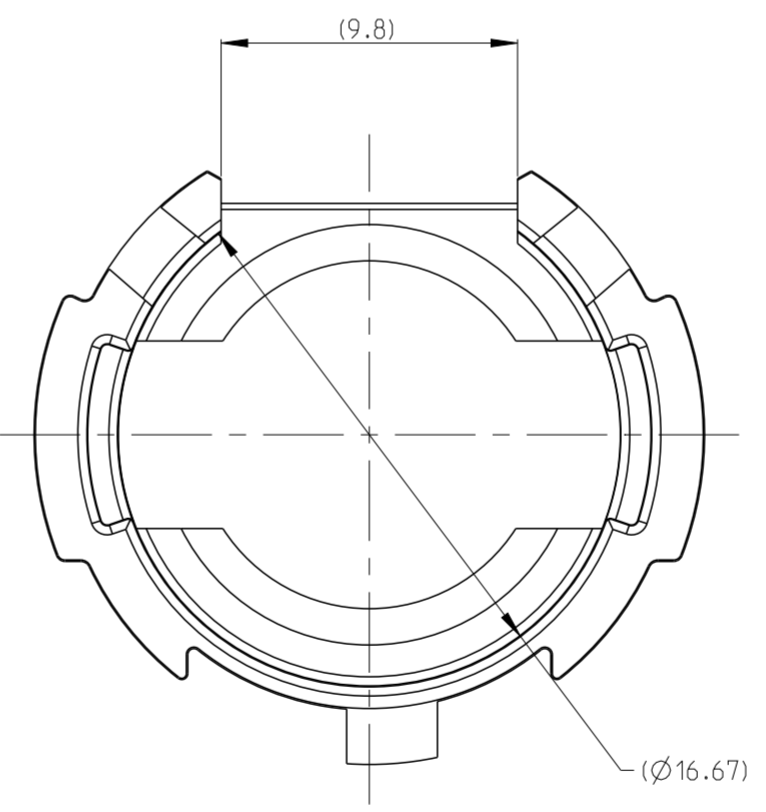
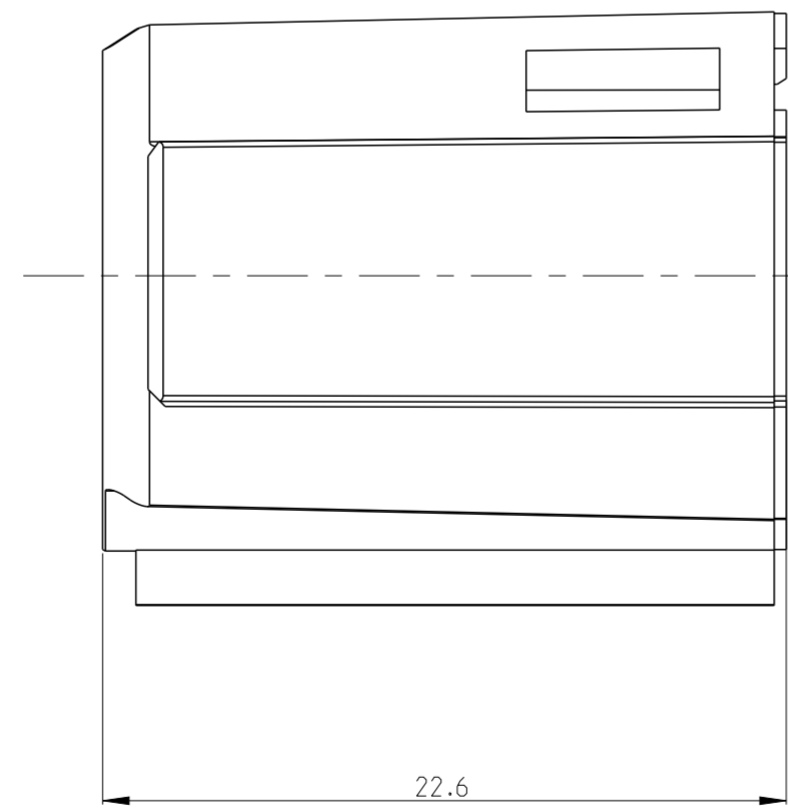
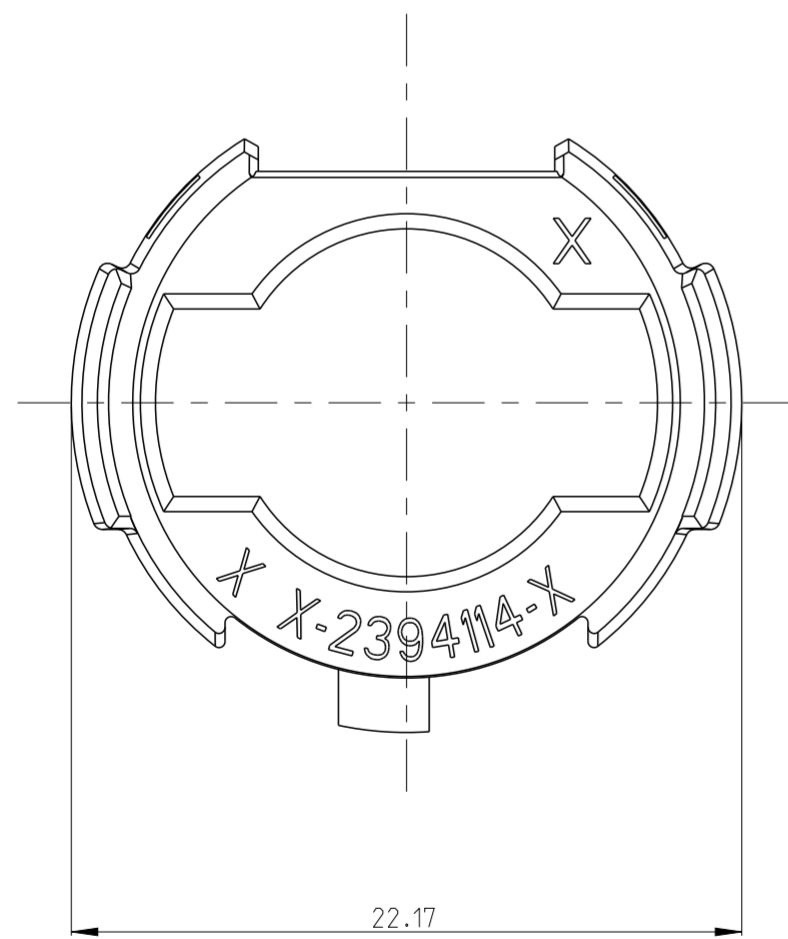


P	LTR	DESCRIPTION	DATE	DWN	APVD
A		INITIAL RELEASE	28OCT22	C.C	Z.Z
B		PCN-24-206191	01MAY24	S.G	Z.Z

CODE A	CODE B	CODE C	CODE D	CODE E	CODE F
CODE G	CODE H	CODE J	CODE K	CODE L	CODE M



SCALE 4:1



- 1 MATERIAL: PA66-GF
- 2. BULK PACKAGE

COLOR	CODE	PART NO.
AQUA RED	M	1-2394114-3
AQUA BROWN	L	1-2394114-2
AQUA GREEN	K	1-2394114-1
ORANGE	J	2394114-9
YELLOW	H	2394114-8
RED	G	2394114-7
BROWN	F	2394114-6
GREEN	E	2394114-5
PURPLE	D	2394114-4
BLUE	C	2394114-3
NATURE	B	2394114-2
BLACK	A	2394114-1

THIS DRAWING IS A CONTROLLED DOCUMENT.

DWN	C.CAO	28OCT2022
CHK	J.JI	28OCT2022
APVD	Z.ZHOU	28OCT2022

TE Connectivity

NAME: PLUG TPA HVP-HD1000

PRODUCT SPEC: 108-160341

APPLICATION SPEC: 114-160182

WEIGHT: 2.54g

SCALE: 2:1 SHEET 1 OF 1 REV B

RESTRICTED TO: -