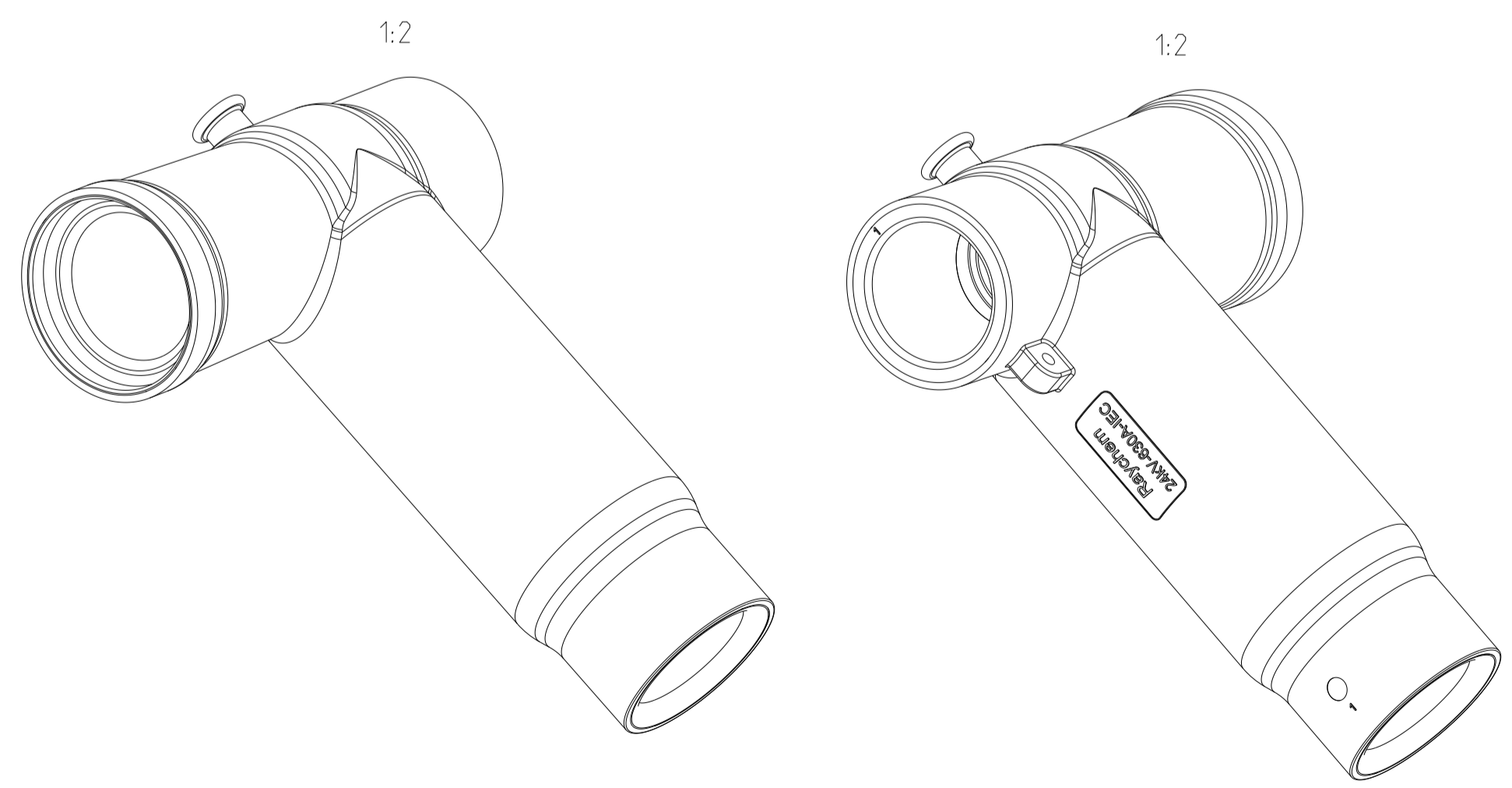
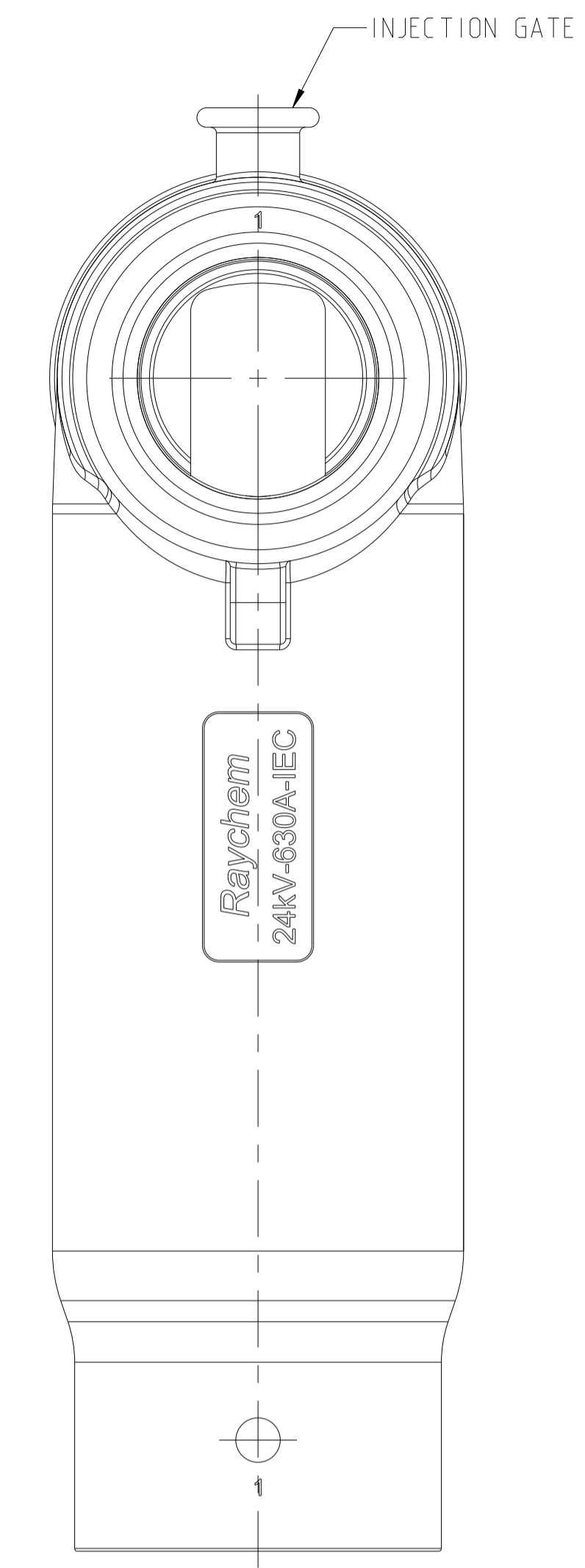
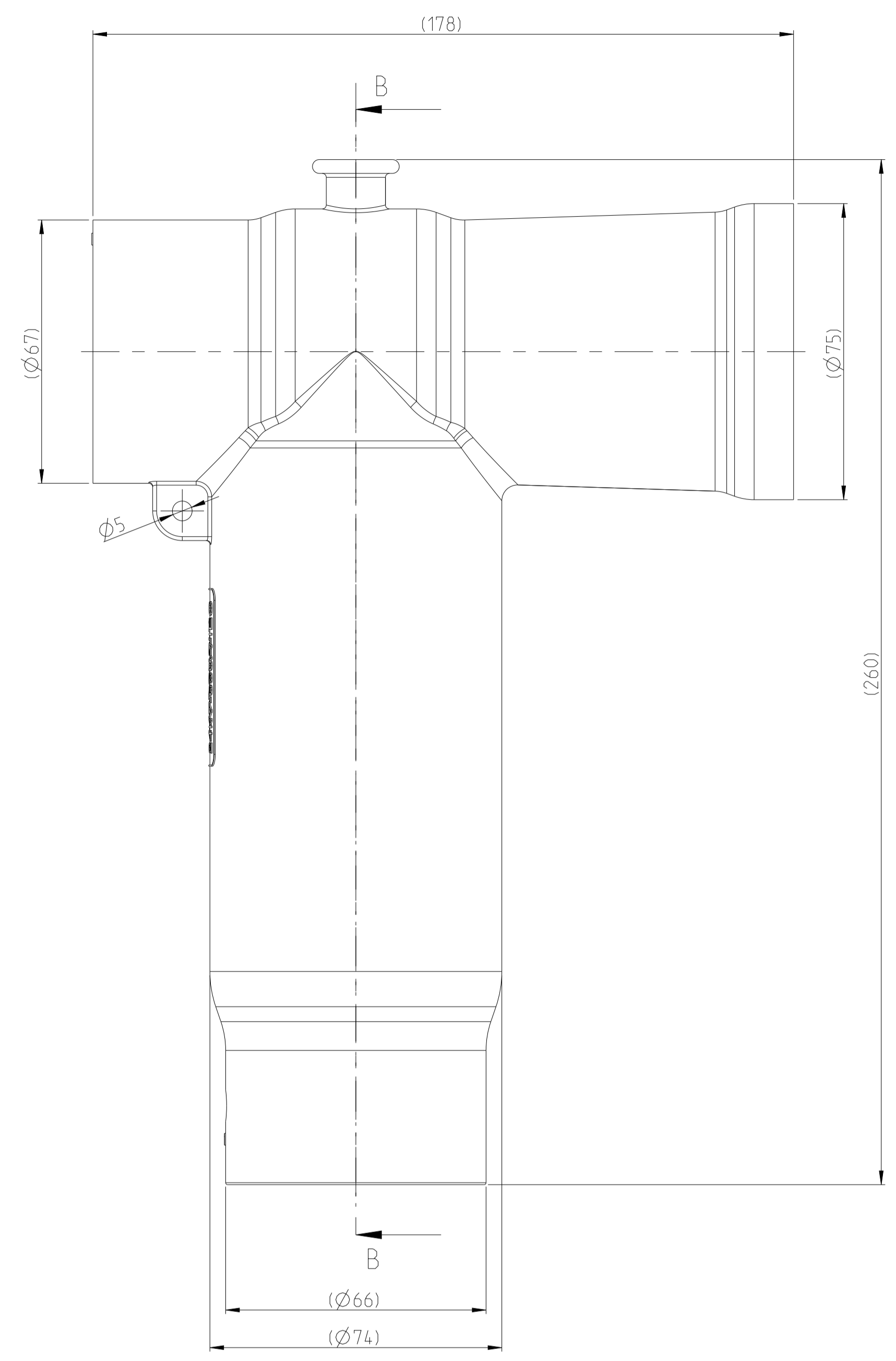
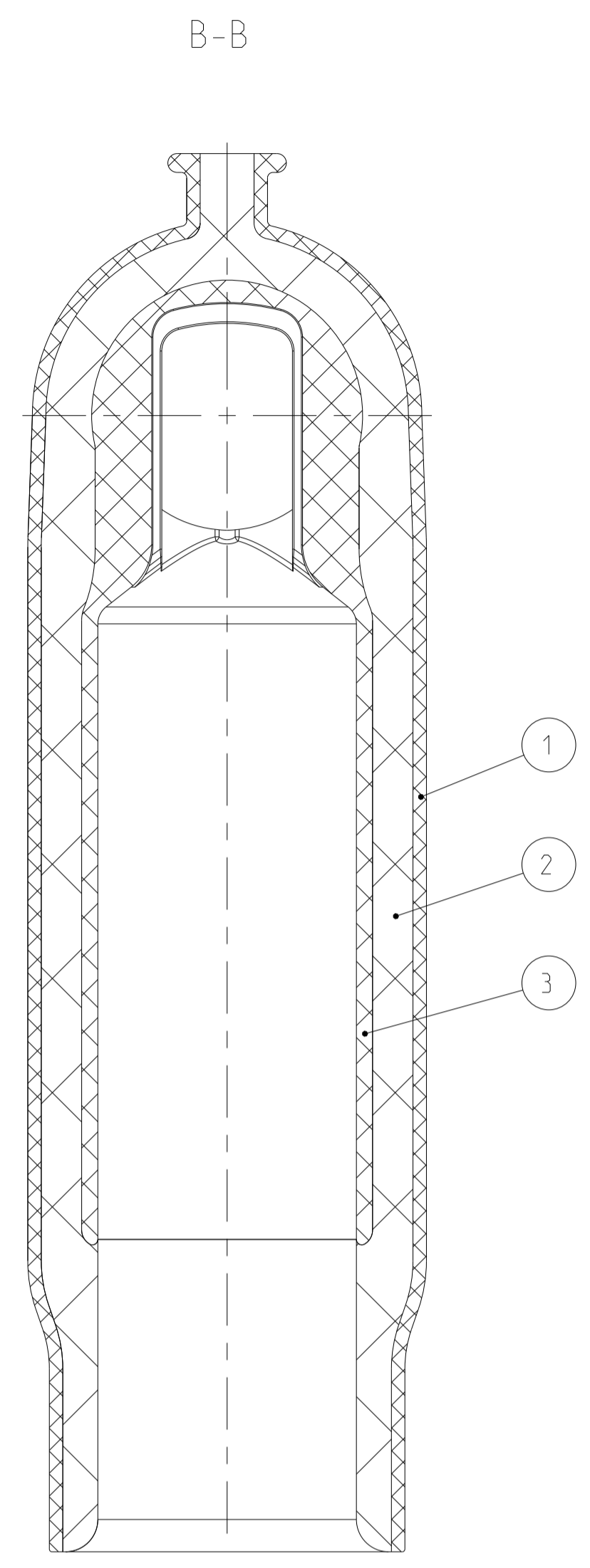


REVISIONS				
P	LTN	DESCRIPTION	DATE	APVD
A1		GO TO PRODUCTION	24FEB2023	IQ W JY



Pos Item	Anz Qty	Benennung Name	Zeichnungsnummer / Normbezeichnung Part number / Standard designation	Volumen (cm ³) Volume (cm ³)	Werkstoff Material
1	1	OUTER CONDUCTIVE LAYER	2395083-1	189.253	EPDM (CONDUCTIVE)
2	1	INSULATING BODY	-	498.234	EPDM (INSULATING)
3	1	FARADAY CAGE	2395080-1	94.301	EPDM (CONDUCTIVE)

THIS DRAWING IS A CONTROLLED DOCUMENT.		OWN: L. QIN 24DEC2021	2395077-1		ELBC-24-FB-K1-UP-630-L
DIMENSIONS: mm		CHEK: E. ZHANG 24DEC2021	PART NUMBER		PART DESCRIPTION
TOLERANCES UNLESS OTHERWISE SPECIFIED: 0 PLC # # # # # 1 PLC # # # # # 2 PLC # # # # # 3 PLC # # # # # 4 PLC # # # # # ANGLES # # # # # FINISH # # # # #		APVD: W. J. YANG 24DEC2021	NAME		ELBC-24-FB-K1-UP-630-L
MATERIAL: -		APPLICATION SPEC: -	SIZE: A1	CAGE CODE: 00779	DRAWING NO: C=2395077
CUSTOMER DRAWING		WEIGHT: -	SCALE: 1:1	SHEET: 1 OF 1	REV: A1