



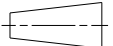
REVISIONS					
P	LTR	DESCRIPTION	DATE	DWN	APVD
	A	INITIAL RELEASE	18AUG2021	ML	OA
	A1	MINOR REVISION PER ECN-21-114681	25AUG2021	JM	OA

NOTE:
 1. INTERPRET DRAWING
 IN ACCORDANCE
 WITH DOD-D-1000

SOURCE CONTROL DRAWING

EXPORT CONTROLLED INFORMATION

© 2021 TE Connectivity. All Rights Reserved.

DIMENSIONS: in		DWN MARTIN LAREZ 07JUL2021	MATERIAL SEE TABLE	FINISH -
TOLERANCES UNLESS OTHERWISE SPECIFIED: 0 PLC ± 1 PLC ±.1 2 PLC ±.01 3 PLC ±.001 4 PLC ±.0001 ANGLES ±-		CHK OSCAR ALVARADO 25-Aug-21	 TE Connectivity	
		APVD OSCAR ALVARADO 25-Aug-21		
 		PRODUCT SPEC -	NAME ADAPTER, ELEC CONN, SHIELD TERMINATING, STR	
		APPLICATION SPEC -	SIZE A 4	CAGE CODE 00779
		WEIGHT -	CUSTOMER DRAWING	
			SCALE	SHEET 1 OF 49 REV A1

REVISIONS					
P	LTR	DESCRIPTION	DATE	DWN	APVD
	-	SEE SHEET 1	-	-	-

1. SCOPE

THIS DRAWING DEFINES THE REQUIREMENTS FOR A CONNECTOR ADAPTER THAT TERMINATES TO THE REAR THREADS OF A CIRCULAR ELECTRICAL CONNECTOR. THIS ADAPTER IS TO BE USED FOR CABLE SHIELD TERMINATION APPLICATIONS AND WHEN USED WITH THE APPROPRIATE SHRINK BOOT ALSO PROVIDES ENVIRONMENTAL RESISTANCE AND STRAIN RELIEF.

2. APPLICABLE DOCUMENTS

THE FOLLOWING DOCUMENTS OF THE ISSUE IN EFFECT ON THE DATE OF INVITATION FOR BIDS ARE APPLICABLE TO THE EXTENT SPECIFIED HEREIN.

2.1 GOVERNMENT DOCUMENTS

SPECIFICATIONS

FEDERAL


QQ-P-35	PASSIVATION TREATMENT FOR AUSTENITIC FERRITIC, AND CORROSION RESISTING STEEL
ASTM B221	STANDARD SPECIFICATION FOR ALUMINUM AND ALUMINUM-ALLOY BARS, RODS, WIRE, PROFILES AND TUBES.
QQ-A-225	ALUMINUM, BAR STOCK
QQ-P-416	PLATING, CADMIUM (ELECTRODEPOSITED)
QQ-A-591	ALUMINUM ALLOY DIE CASTINGS
QQ-S-763	STEEL BARS, WIRES, SHAPES AND FORGINGS, CORROSION RESISTING
ZZ-R-765	RUBBER, SILICONE
QQ-B-575	BRAID, WIRE (COPPER, TIN COATED, OR SILVER COATED, TUBULAR OR FLAT)

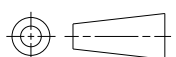
SPECIFICATIONS

MILITARY

MIL-S-5002	SURFACE TREATMENTS AND INORGANIC COATINGS FOR METAL SURFACES OF WEAPON SYSTEMS
MIL-C-85049	CONNECTOR ACCESSORIES, ELECTRICAL, GENERAL SPECIFICATION FOR
MIL-STD-202	TEST METHOD FOR ELECTRONIC AND ELECTRICAL COMPONENT PARTS
MIL-STD-1344	TEST METHOD FOR ELECTRICAL CONNECTORS

© 2021 TE Connectivity. All Rights Reserved.

DIMENSIONS: in	DWN MARTIN LAREZ	07JUL2021	MATERIAL	SEE TABLE	FINISH	-
	CHK OSCAR ALVARADO	25-Aug-21				
TOLERANCES UNLESS OTHERWISE SPECIFIED:	APVD OSCAR ALVARADO	25-Aug-21				
0 PLC ±	PRODUCT SPEC	-	NAME ADAPTER, ELEC CONN, SHIELD TERMINATING, STR			
1 PLC ±.1	APPLICATION SPEC	-				
2 PLC ±.01	WEIGHT	-	SIZE	CAGE CODE	DRAWING NO	RESTRICTED TO
3 PLC ±.001			A 4	00779	C=2395105-1	-
4 PLC ±.0001			CUSTOMER DRAWING			
ANGLES ±-						



REVISIONS					
P	LTR	DESCRIPTION	DATE	DWN	APVD
	-	SEE SHEET 1	-	-	-

3. REQUIREMENTS

PARTS SUPPLIED TO THIS DRAWING SHALL BE IN ACCORDANCE WITH THE REQUIREMENTS OF MIL-C-85049, CATEGORY 5 WITH THE FOLLOWING ADDITIONS AND EXCEPTIONS.

3.1 MATERIALS

3.1.1 COUPLING NUT AND BODY SHALL BE ALUMINUM ALLOY PER QQ-A-591 OR QQ-A-225 OR ASTM B221.

3.1.2 SEALS SHALL BE SILICONE PER ZZ-R-765.

3.1.3 RETAINING RINGS, CHAIN ATTACHMENT BANDS AND ASSOCIATED HARDWARE CORROSION RESISTING STEEL PER QQ-S-763.

3.1.4 BRAID MATERIAL SHALL BE TIN-COATED SOFT ANNEALED COPPER CONFORMING TO QQ-B-575.

3.2 FINISHES

3.2.1 ALUMINUM-CADMIUM PLATE PER QQ-P-416, TYPE II, CLASS 3 OVER A SUITABLE UNDERPLATE (500 HOUR SALT SPRAY CORROSION RESISTANT FINISH).

3.2.2 STAINLESS STEEL - PASSIVATE PER QQ-P-35 OR MIL-S-5002.

3.3 CONFIGURATION AND DIMENSIONS

CONFIGURATION AND DIMENSIONS SHALL BE PER APPROPRIATE FIGURE AND TABLE.

3.4 SOLDERABILITY

SOLDERABILITY SHALL BE IN ACCORDANCE WITH METHOD 208 OF MIL-STD-202, EXCEPT 1/2 HOUR MAX.

3.5 SHELL TO SHELL CONDUCTIVITY

SHELL TO SHELL CONDUCTIVITY WHEN TESTED AS SPECIFIED IN PARAGRAPH 4.1.2.

3.6 MARKING

PARTS SHALL BE PERMANENTLY AND LEGIBLY MARKED WITH THIS DRAWING NUMBER PREFIXED WITH "53711 SOCN" VENDOR'S IDENTIFICATION AND PART NUMBER NEED NOT TO BE REMOVED.


4. QUALITY ASSURANCE PROVISIONS

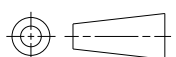
QUALITY ASSURANCE PROVISIONS SHALL BE PER PARAGRAPH 4 OF MIL-C-85049 CATEGORY 5, IN ADDITION TO THE TEST LISTED BELOW.

4.1 TEST METHODS

4.1.1 SOLDERABILITY SHALL BE PER METHOD 208 OF MIL-STD-202, EXCEPT 1/2 HOUR MAX.

© 2021 TE Connectivity. All Rights Reserved.

DIMENSIONS: in	DWN MARTIN LAREZ	07JUL2021	MATERIAL	SEE TABLE	FINISH	-
	CHK OSCAR ALVARADO	25-Aug-21				
TOLERANCES UNLESS OTHERWISE SPECIFIED:	APVD OSCAR ALVARADO	25-Aug-21				
0 PLC ±	PRODUCT SPEC	-	NAME ADAPTER, ELEC CONN, SHIELD TERMINATING, STR			
1 PLC ±.1	APPLICATION SPEC	-				
2 PLC ±.01	WEIGHT	-	SIZE	CAGE CODE	DRAWING NO	RESTRICTED TO
3 PLC ±.001			A 4	00779	C=2395105-1	-
4 PLC ±.0001			CUSTOMER DRAWING			
ANGLES ±-			SCALE	SHEET	3 OF 49	REV A 1



REVISIONS					
P	LTR	DESCRIPTION	DATE	DWN	APVD
	-	SEE SHEET 1	-	-	-

4.1.2 SHELL TO SHELL CONDUCTIVITY SHALL BE TESTED PER METHOD 3007 OF MIL-STD-1344.

5. PREPARATION FOR DELIVERY
 THE MANUFACTURER IS RESPONSIBLE FOR PACKAGING AND PACKING TO ASSURE THAT WHEN SHIPPED BY DOMESTIC COMMOM CARRIER THE PARTS ARE RECEIVED IN UNDAMAGED CONDITION.

6. NOTES

6.1 APPROVED SOURCE(S) OF SUPPLY
 TYCO ELECTRONICS/RAYCHEM DBA RAYCHEM DIV ELECTRONICS
 MENLO PARK, CA 94025

CAGE CODE: 06090

JOSLYN SUNBANK COMPANY, LLC.
 PASO ROBLES, CA 93446

CAGE CODE: 07418

GLENAIR INC.
 GLENDALE, CA 91201-2497
 CAGE CODE: 06324


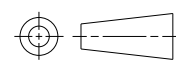
PART NUMBERS PER TABLE II

IDENTIFICATION OF THE APPROVED SOURCE(S) OF SUPPLY HEREON IS NOT TO BE CONSTRUED AS A GUARANTEE OF PRESENT OR CONTINUED AVAILABILITY AS A SOURCE OF SUPPLY FOR THE ITEM(S).

ONLY THE ITEMS DESCRIBED ON THIS DRAWING WHEN PROCURED FROM THE VENDOR(S) LISTED HEREON ARE APPROVED BY LOCKHEED MARTIN MISSION SYSTEMS AND TRAINING (MST) FOR USE IN THE APPLICATION(S) SPECIFIED HEREON. SUBSTITUTE ITEMS SHALL NOT BE

USED WITHOUT PRIOR APPROVAL BY LOCKHEED MARTIN MST OR BY NAVAL SEA SYSTEMS COMMAND.

© 2021 TE Connectivity. All Rights Reserved.


DIMENSIONS: in	DWN MARTIN LAREZ	07JUL2021	MATERIAL	SEE TABLE	FINISH	-
	CHK OSCAR ALVARADO	25-Aug-21				
TOLERANCES UNLESS OTHERWISE SPECIFIED:	APVD OSCAR ALVARADO	25-Aug-21				
0 PLC ±	PRODUCT SPEC	-	NAME ADAPTER, ELEC CONN, SHIELD TERMINATING, STR			
1 PLC ±.1	APPLICATION SPEC	-				
2 PLC ±.01	WEIGHT	-	SIZE	CAGE CODE	DRAWING NO	RESTRICTED TO
3 PLC ±.001			A 4	00779	©-2395105-1	-
4 PLC ±.0001			SCALE SHEET 4 OF 49 REV A 1			
ANGLES ±-						
		CUSTOMER DRAWING				

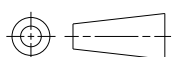
REVISIONS					
P	LTR	DESCRIPTION	DATE	DWN	APVD
	-	SEE SHEET 1	-	-	-

TABLE I

NAVSEA PART MASTER	SHELL SIZE	FIG	A R H THREAD CLASS 2B	B MAX O D	Z ±.020 DIA	ENTRY SIZE	D MIN DIA
5617635-	A(8)	1	.500-28UNEF	0.86	0.25	4	0.456
-1	A(8)	1	.500-28UNEF	0.86	0.375	6	0.58
-2	A(8)	1(T2)	.500-28UNEF	0.86	0.5	8	0.705
-10	B(10)	1	.625-28UN	0.98	0.375	6	0.58
-11	B(10)	1	.625-28UN	0.98	0.5	8	0.705
-12	B(10)	1(T2)	.625-28UN	0.98	0.625	10	0.83
-13	B(10)	1(T2)	.625-28UN	0.98	0.75	12	0.953
-20	D(14)	1	.875-28UN	1.23	0.5	8	0.705
-21	D(14)	1	.875-28UN	1.23	0.625	10	0.83
-22	D(14)	1(T2)	.875-28UN	1.23	0.875	14	1.08
-23	D(14)	1(T2)	.875-28UN	1.23	1	16	1.205
-24	D(14)	1(T2)	.875-28UN	1.23	0.75	12	0.953
-26	D(14)	1(T2)	.875-28UN	1.23	1.25	20	1.457
-30	E(16)	1	1.000-28UN	1.36	.625	10	.83
-31	E(16)	1	1.000-28UN	1.36	0.75	12	0.953
-32	E(16)	1(T2)	1.000-28UN	1.36	1.125	18	1.33
-33	E(16)	1	1.000-28UN	1.36	0.375	6	0.58
-34	16	1(T2)	1.000-28UN	2.22	1.375	22	1.582
-39	F(18)	1	1.125-28UN	1.48	0.625	10	0.83
-40	F(18)	1	1.125-28UN	1.48	0.5	8	0.705
-41	F(18)	1	1.125-28UN	1.48	0.75	12	0.953
-42	F(18)	1(T2)	1.125-28UN	1.48	1	16	1.205
-43	F(18)	1(T2)	1.125-28UN	1.48	1.25	20	1.457
-44	F(18)	1(T2)	1.125-28UN	1.48	1.375	22	1.58
-45	F(18)	1	1.125-28UN	1.48	0.875	14	1.08
-50	G(20)	1	1.250-28UN	1.63	0.875	14	1.08
-51	G(20)	1(T2)	1.250-28UN	1.63	1.125	18	1.33
-52	G(20)	1(T2)	1.250-28UN	1.63	1.25	20	1.457
-53	G(20)	1	1.250-28UN	1.63	0.75	12	0.953
-54	G(20)	1	1.250-28UN	1.63	1	16	1.207
-60	H(22)	1	1.375-28UN	1.73	0.875	14	1.08
-61	H(22)	1	1.375-28UN	1.73	1	16	1.205

© 2021 TE Connectivity. All Rights Reserved.

DIMENSIONS: in		DWN MARTIN LAREZ 07JUL2021	MATERIAL SEE TABLE		FINISH -		
TOLERANCES UNLESS OTHERWISE SPECIFIED:		CHK OSCAR ALVARADO 25-Aug-21	 TE Connectivity				
0 PLC ± 1 PLC ±.1 2 PLC ±.01 3 PLC ±.001 4 PLC ±.0001 ANGLES ±-		APVD OSCAR ALVARADO 25-Aug-21					
		PRODUCT SPEC -	NAME ADAPTER, ELEC CONN, SHIELD TERMINATING, STR				
		APPLICATION SPEC -	SIZE A4	CAGE CODE 00779	DRAWING NO C-2395105-1	RESTRICTED TO -	
		WEIGHT -	CUSTOMER DRAWING		SCALE	SHEET 5 OF 49	REV A1


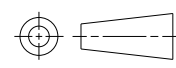


REVISIONS					
P	LTR	DESCRIPTION	DATE	DWN	APVD
	-	SEE SHEET 1	-	-	-

-62	H(22)	1(T2)	1.375-28UN	1.73	1.25	20	1.457
-63	H(22)	1	1.375-28UN	1.73	0.75	12	0.953
-64	H(22)	1(T2)	1.375-28UN	2.23	1.375	22	1.582
-70	J(24)	1	1.500-28UN	1.86	0.875	14	1.08
5617635 -71	J(24)	1	1.500-28UN	1.86	1	16	1.205

T2- TYPE 2 OPTION- REFER TO APPLICABLE FIGURE.

© 2021 TE Connectivity. All Rights Reserved.


DIMENSIONS: in	DWN MARTIN LAREZ 07JUL2021	MATERIAL SEE TABLE	FINISH -		
	TOLERANCES UNLESS OTHERWISE SPECIFIED: 0 PLC ± 1 PLC ±.1 2 PLC ±.01 3 PLC ±.001 4 PLC ±.0001 ANGLES ±-	CHK OSCAR ALVARADO 25-Aug-21 APVD OSCAR ALVARADO 25-Aug-21 PRODUCT SPEC - APPLICATION SPEC - WEIGHT -	 TE Connectivity		
		NAME ADAPTER, ELEC CONN, SHIELD TERMINATING, STR			
CUSTOMER DRAWING		SIZE A4	CAGE CODE 00779	DRAWING NO C-2395105-1	RESTRICTED TO -
		SCALE	SHEET 6 OF 49	REV A1	

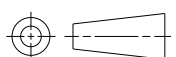
REVISIONS					
P	LTR	DESCRIPTION	DATE	DWN	APVD
	-	SEE SHEET 1	-	-	-

TABLE I (CONTINUED)

NAVSEA PART MASTER	SHELL SIZE	FIG	A R H THREAD CLASS 2B	B MAX O D	Z ±.020 DIA	ENTRY SIZE	D MIN DIA
5617635-7 2	J(24)	1	1.500-28UN	1.86	1.125	18	1.33
-100	8, 8S	2	.500-20UNF	0.66	0.25	4	0.456
-103	8, 8S	2(T2)	.500-20UNF	0.66	0.5	8	0.705
-105	8, 8S	2(T2)	.500-20UNF	0.68	0.625	10	0.831
-110	10, 10S , 10SL	2	.625-24UNEF	0.79	0.312	5	0.515
-111	10, 10S, 10SL	2(T2)	.625-24UNEF	0.79	0.625	10	0.831
-112	10, 10S , 10SL	2	.625-24UNEF	0.79	0.375	6	0.581
-113	10SL	2(T2)	.625-24UNEF	0.79	0.5	8	0.705
-114	10SL	2(T2)	.625-24UNEF	0.79	0.75	12	0.935
-120	12, 12S	2	.750-20UNEF	0.91	0.375	6	0.581
-121	12, 12S	2	.750-20UNEF	0.91	0.438	7	0.643
-122	12, 12S	2	.750-20UNEF	0.91	0.5	8	0.705
-123	12, 12S	2(T2)	.750-20UNEF	0.91	0.75	12	0.953
-124	12	2(T2)	.750-20UNEF	0.91	0.625	10	0.831
-130	14, 14S	2	.875-20UNEF	1.04	0.375	6	0.581
-131	14, 14S	2	.875-20UNEF	1.04	0.5	8	0.705
-132	14, 14S	2(T2)	.875-20UNEF	1.04	0.625	10	0.831
-133	14, 14S	2(T2)	.875-20UNEF	1.04	0.75	12	0.953
-134	14, 14S	2(T2)	.875-20UNEF	1.04	0.875	14	1.081
-135	14, 14S	2(T2)	.875-20UNEF	1.04	1	16	1.205

© 2021 TE Connectivity. All Rights Reserved.

DIMENSIONS: in		DWN MARTIN LAREZ 07JUL2021	MATERIAL SEE TABLE		FINISH -	
TOLERANCES UNLESS OTHERWISE SPECIFIED:		CHK OSCAR ALVARADO 25-Aug-21	 TE Connectivity			
		APVD OSCAR ALVARADO 25-Aug-21				
0 PLC ±		PRODUCT SPEC	NAME ADAPTER, ELEC CONN, SHIELD TERMINATING, STR			
1 PLC ±.1		APPLICATION SPEC				
2 PLC ±.01		WEIGHT	SIZE A 4	CAGE CODE 00779	DRAWING NO C-2395105-1	RESTRICTED TO -
3 PLC ±.001		CUSTOMER DRAWING		SCALE	SHEET 7 OF 49	REV A 1
4 PLC ±.0001						
ANGLES ±-						




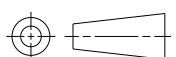
REVISIONS					
P	LTR	DESCRIPTION	DATE	DWN	APVD
	-	SEE SHEET 1	-	-	-

-140	16, 16S	2	1.000-20UNEF	1.16	0.5	8	0.705
-141	16, 16S	2	1.000-20UNEF	1.16	0.625	10	0.831
-142	16, 16S	2(T2)	1.000-20UNEF	1.16	0.75	12	0.953
-143	16, 16S	2(T2)	1.000-20UNEF	1.16	1	16	1.205
-144	16, 16S	2(T2)	1.000-20UNEF	1.16	0.875	14	1.081
-150	18	2	1.062-18UNEF	1.22	0.375	6	0.581
-151	18	2	1.062-18UNEF	1.22	0.5	8	0.705
-152	18	2	1.062-18UNEF	1.22	0.625	10	0.831
-153	18	2	1.062-18UNEF	1.22	0.75	12	0.953
-154	18	2(T2)	1.062-18UNEF	1.22	0.875	14	1.081
-155	18	2(T2)	1.062-18UNEF	1.22	1	16	1.205
-156	18	2(T2)	1.062-18UNEF	1.22	1.25	20	1.506
-159	20	2	1.188-18UNEF	1.35	0.5	8	0.705
-160	20	2	1.188-18UNEF	1.35	0.625	10	0.831
-161	20	2	1.188-18UNEF	1.35	0.75	12	0.952
-162	20	2	1.188-18UNEF	1.35	0.875	14	1.081
5617635 -163	20	2(T2)	1.188-18UNEF	1.35	0.938	15	1.143

T2 - TYPE 2 OPTION - REFER TO APPLICABLE FIGURE.

© 2021 TE Connectivity. All Rights Reserved.

DIMENSIONS: in	DWN MARTIN LAREZ	07JUL2021	MATERIAL	SEE TABLE	FINISH	-
	CHK OSCAR ALVARADO	25-Aug-21	 TE Connectivity			
TOLERANCES UNLESS OTHERWISE SPECIFIED:	APVD OSCAR ALVARADO	25-Aug-21				
	0 PLC ±	PRODUCT SPEC	NAME	ADAPTER, ELEC CONN, SHIELD TERMINATING, STR		
1 PLC ±.1	APPLICATION SPEC	-	SIZE	CAGE CODE	DRAWING NO	RESTRICTED TO
2 PLC ±.01			A 4	00779	C=2395105-1	-
3 PLC ±.001	WEIGHT	-	CUSTOMER DRAWING			
4 PLC ±.0001			SCALE	SHEET	8 OF 49	REV A 1
ANGLES ±-						




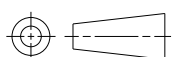
REVISIONS					
P	LTR	DESCRIPTION	DATE	DWN	APVD
	-	SEE SHEET 1	-	-	-

TABLE I (CONTINUED)

NAVSEA PART MASTER	SHELL SIZE	FIG	A R H THREAD CLASS 2B	B MAX O D	Z ±.020 DIA	ENTRY SIZE	D MIN DIA
5617635-164	20	2(T2)	1.188-18UNEF	1.35	1	16	1.205
-165	20	2(T2)	1.188-18UNEF	1.35	1.125	18	1.381
-166	20	2(T2)	1.188-18UNEF	1.35	1.25	20	1.506
-170	22	2	1.312-18UNEF	1.47	0.625	10	0.831
-171	22	2	1.312-18UNEF	1.47	0.75	12	0.953
-172	22	2	1.312-18UNEF	1.47	0.875	14	1.081
-173	22	2	1.312-18UNEF	1.47	1	16	1.205
-174	22	2(T2)	1.312-18UNEF	1.47	1.375	22	1.631
-175	22	2	1.312-18UNEF	1.47	0.5	8	0.705
-180	24	2	1.438-18UNEF	1.6	0.5	8	0.705
-181	24	2	1.438-18UNEF	1.6	0.625	10	0.831
-182	24	2	1.438-18UNEF	1.6	0.75	12	0.953
-183	24	2	1.438-18UNEF	1.6	0.875	14	1.081
-184	24	2	1.438-18UNEF	1.6	1	16	1.205
-185	24	2	1.438-18UNEF	1.6	1.125	18	1.381
-186	24	2(T2)	1.438-18UNEF	1.6	1.25	20	1.506
-187	24	2(T2)	1.438-18UNEF	1.6	1.375	22	1.631
-188	24	2(T2)	1.438-18UNEF	1.6	1.5	24	1.756
-189	24	2(T2)	1.438-18UNEF	2.48	1.75	28	2.004
-190	28	2	1.750-18UNS	1.97	0.625	10	0.831
-191	28	2	1.750-18UNS	1.97	0.75	12	0.953
-192	28	2	1.750-18UNS	1.97	0.875	14	1.081
-193	28	2	1.750-18UNS	1.97	1	16	1.205
-194	28	2	1.750-18UNS	1.97	1.125	18	1.381
-195	28	2	1.750-18UNS	1.97	1.375	22	1.631
-196	28	2	1.750-18UNS	1.97	1.25	20	1.506
-197	28	2(T2)	1.750-18UNS	2.48	1.75	28	2.004
-200	32	2	2.000-28UNS	2.22	0.875	14	1.081
-201	32	2	2.000-28UNS	2.22	1	16	1.205
-202	32	2	2.000-28UNS	2.22	1.25	20	1.506
-203	32	2	2.000-28UNS	2.22	1.375	22	1.631

© 2021 TE Connectivity. All Rights Reserved.

DIMENSIONS: in		DWN MARTIN LAREZ 07JUL2021	MATERIAL SEE TABLE		FINISH -	
TOLERANCES UNLESS OTHERWISE SPECIFIED:		CHK OSCAR ALVARADO 25-Aug-21	 TE Connectivity			
		APVD OSCAR ALVARADO 25-Aug-21				
0 PLC ±		PRODUCT SPEC	NAME ADAPTER, ELEC CONN, SHIELD TERMINATING, STR			
1 PLC ±.1		APPLICATION SPEC				
2 PLC ±.01		WEIGHT	SIZE A 4	CAGE CODE 00779	DRAWING NO C-2395105-1	RESTRICTED TO -
3 PLC ±.001		CUSTOMER DRAWING		SCALE	SHEET 9 OF 49	REV A 1
4 PLC ±.0001						
ANGLES ±-						




REVISIONS					
P	LTR	DESCRIPTION	DATE	DWN	APVD
	-	SEE SHEET 1	-	-	-

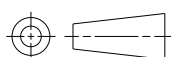
TABLE I (CONTINUED)

NAVSEA PART MASTER	SHELL SIZE	FIG	A R H THREAD CLASS 2B	B MAX O D	Z ±.020 DIA	ENTRY SIZE	D MIN DIA
-206	32	2(T2)	2.000-28UNS	2.47	1.75	28	2.004
-210	36	2	2.250-16UN	2.47	0.75	12	0.953
-211	36	2	2.250-16UN	2.47	0.875	14	1.081
-212	36	2	2.250-16UN	2.47	1	16	1.205
-213	36	2	2.250-16UN	2.47	1.125	18	1.381
5617635-214	36	2	2.250-16UN	2.47	1.25	20	1.506
5617635-215	36	2	2.250-16UN	2.47	1.375	22	1.631
-216	36	2	2.250-16UN	2.47	0.625	10	0.831
-217	36	2	2.250-16UN	2.47	1.75	28	2.004
-220	40	2	2.500-16UN	2.72	0.75	12	0.953
-221	40	2	2.500-16UN	2.72	1	16	1.205
-222	40	2	2.500-16UN	2.72	1.25	20	1.506
-223	40	2	2.500-16UN	2.72	1.375	22	1.631
-224	40	2	2.500-16UN	2.72	1.5	24	1.756
-225	40	2	2.500-16UN	2.72	0.875	14	1.081
-226	40	2	2.500-16UN	2.72	1.125	18	1.381
-227	40	2	2.500-16UN	2.72	0.625	10	0.831
-229	40	2	2.500-16UN	2.72	1.75	28	2.004
-235	44	2	2.750-16UN	2.97	1.375	22	1.631
5617635-238	44	2	2.750-16UN	2.97	1.75	28	2.004

T2-TYPE 2 OPTION-REFER TO APPLICABLE FIGURE.

© 2021 TE Connectivity. All Rights Reserved.

DIMENSIONS: in	DWN MARTIN LAREZ	07JUL2021	MATERIAL	SEE TABLE	FINISH	-				
	CHK OSCAR ALVARADO	25-Aug-21	 TE Connectivity							
TOLERANCES UNLESS OTHERWISE SPECIFIED:	APVD OSCAR ALVARADO	25-Aug-21								
	0 PLC ±	PRODUCT SPEC	NAME ADAPTER, ELEC CONN, SHIELD TERMINATING, STR							
1 PLC ±.1	APPLICATION SPEC									
2 PLC ±.01	WEIGHT	-	SIZE	A 4	CAGE CODE	00779	DRAWING NO	C=2395105-1	RESTRICTED TO	-
3 PLC ±.001	CUSTOMER DRAWING		SCALE	SHEET		10 OF 49	REV	A 1		
4 PLC ±.0001										
ANGLES ±-										


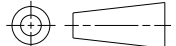


REVISIONS					
P	LTR	DESCRIPTION	DATE	DWN	APVD
	-	SEE SHEET 1	-	-	-

TABLE I (CONTINUED)

NAVSEA PART MASTER	SERIES II	SERIES I	FIG	A R H THREAD CLASS 2B	B MAX O D	Z ±.020 DIA	ENTRY SIZE	D MIN DIA
5617635-300	8	9	3	.438-28UNEF	0.72	0.25	4	0.456
-305	8	9	3(T2)	.438-28UNEF	0.92	0.5	8	0.705
-310	10	11	3	.562-24UNEF	0.85	0.312	5	0.515
-315		11	3(T2)	.562-24UNEF	0.85	0.625	10	0.831
-318	10	11	3(T2)	.562-24UNEF	1.35	0.75	12	0.953
-320	12	13	3	.688-24UNEF	0.97	0.375	6	0.581
-323	12	13	3(T2)	.688-24UNEF	1.18	0.625	10	0.831
-325	12	13	3(T2)	.688-24UNEF	1.35	0.75	12	0.935
-327	12	13	3(T2)	.688-24UNEF	1.22	1	16	1.2
-330	14	16	3	.812-20UNEF	1.1	0.5	8	0.705
-331	14	15	3	.812-20UNEF	1.1	0.625	10	0.831
-333	14	15	3(T2)	.812-20UNEF	1.1	0.75	12	0.953
-335	14	15	3(T2)	.812-20UNEF	1.1	1	16	1.205
-340	16	17	3	.938-20UNEF	1.22	0.625	10	0.831
-341	16	17	3	.938-20UNEF	1.22	0.75	12	0.953
-342	16	17	3(T2)	.938-20UNEF	1.25	1	16	1.205
-350	18	19	3	1.062-18UNEF	1.35	0.75	12	0.953
-351	18	19	3(T2)	1.062-18UNEF	1.35	1.125	18	1.38
-352	18	19	3(T2)	1.062-18UNEF	1.35	1.25	20	1.5
-353	18	19	3(T2)	1.062-18UNEF	1.35	0.875	14	1.08
-354	18	19	3(T2)	1.062-18UNEF	1.6	1	16	1.205
-355	18	19	3	1.062-18UNEF	1.4	0.5	8	0.705
-356	18	19	3(T2)	1.062-18UNEF	2.23	1.375	22	1.63
-360	20	21	3	1.188-18UNEF	1.47	0.875	14	1.08
-361	20	21	3	1.188-18UNEF	1.47	0.75	12	0.953
-362	20	21	3	1.188-18UNEF	1.47	0.625	10	0.831
-368	22	23	3	1.312-18UNEF	1.6	0.5	8	0.705
-370	22	23	3	1.312-18UNEF	1.6	0.75	12	0.953
-371	22	23	3	1.312-18UNEF	1.6	1	16	1.2
-375	22	23	3(T2)	1.312-18UNEF	2.23	1.375	22	1.631

© 2021 TE Connectivity. All Rights Reserved.


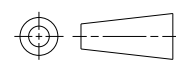
DIMENSIONS: in		DWN MARTIN LAREZ 07JUL2021	MATERIAL SEE TABLE		FINISH -	
TOLERANCES UNLESS OTHERWISE SPECIFIED:		CHK OSCAR ALVARADO 25-Aug-21	 TE Connectivity			
		APVD OSCAR ALVARADO 25-Aug-21				
0 PLC ±		PRODUCT SPEC	NAME ADAPTER, ELEC CONN, SHIELD TERMINATING, STR			
1 PLC ±.1		APPLICATION SPEC				
2 PLC ±.01			SIZE	CAGE CODE	DRAWING NO	RESTRICTED TO
3 PLC ±.001			A 4	00779	©-2395105-1	-
4 PLC ±.0001						
ANGLES ±-		WEIGHT				
						
CUSTOMER DRAWING			SCALE	SHEET	11 OF 49	REV A 1

REVISIONS					
P	LTR	DESCRIPTION	DATE	DWN	APVD
	-	SEE SHEET 1	-	-	-

-380	24	25	3	1.438-18UNEF	1.72	0.875	14	1.08
-381	24	25	3	1.438-18UNEF	1.72	1	16	1.2
5617635-384	24	25	3(T2)	1.438-18UNEF	1.72	1.375	22	1.63

T2-TYPE 2 OPTION-REFER TO APPLICABLE FIGURE.


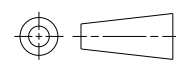
© 2021 TE Connectivity. All Rights Reserved.

DIMENSIONS: in	DWN MARTIN LAREZ 07JUL2021	MATERIAL SEE TABLE	FINISH -
	CHK OSCAR ALVARADO 25-Aug-21		
TOLERANCES UNLESS OTHERWISE SPECIFIED:	APVD OSCAR ALVARADO 25-Aug-21		
0 PLC ± 1 PLC ±.1 2 PLC ±.01 3 PLC ±.001 4 PLC ±.0001 ANGLES ±-	PRODUCT SPEC -	NAME ADAPTER, ELEC CONN, SHIELD TERMINATING, STR	
	APPLICATION SPEC -	SIZE A 4	CAGE CODE 00779
	WEIGHT -	DRAWING NO C-2395105-1	RESTRICTED TO -
CUSTOMER DRAWING		SCALE	SHEET 12 OF 49 REV A1

REVISIONS					
P	LTR	DESCRIPTION	DATE	DWN	APVD
	-	SEE SHEET 1	-	-	-

NAVSEA PART MASTER	COM'L	MIL	FIG	A R H THREAD CLASS 2B	B MAX O D	Z ±.020 DIA	ENTR Y SIZE	D MIN DIA
5617635-398	13	B	4	.875-20UNEF	1.15	0.375	6	0.58
-400	13	B	4	.875-20UNEF	1.15	0.5	8	0.705
-401	13	B	4(T2)	.875-20UNEF	1.15	0.625	10	0.83
-402	13	B	4(T2)	.875-20UNEF	1.27	0.75	12	0.953
-409	15	C	4	1.000-20UNEF	1.27	0.5	8	0.705
-410	15	C	4	1.000-20UNEF	1.27	0.562	9	0.705
-411	15	C	4(T2)	1.000-20UNEF	1.27	0.75	12	0.953
-412	15	C	4	1.000-20UNEF	1.27	0.625	10	0.83
-413	15	C	4(T2)	1.000-20UNEF	1.27	0.875	14	1.08
-414	15	C	4(T2)	1.000-20UNEF	1.27	1	16	1.205
-420	17	D	4	1.125-18UNEF	1.39	0.625	10	0.83
-421	17	D	4(T2)	1.125-18UNEF	1.39	1	16	1.205
-422	17	D	4(T2)	1.125-18UNEF	1.39	0.875	14	1.08
-423	17	D	4(T2)	1.125-18UNEF	1.39	0.75	12	0.953
-425	17	D	4(T2)	1.125-18UNEF	2.23	1.375	22	1.582
-427	19	E	4	1.250-18UNEF	1.52	0.625	10	0.83
-429	19	E	4	1.250-18UNEF	1.52	0.75	12	0.953
-430	19	E	4	1.250-18UNEF	1.52	0.812	13	0.953
-433	19	E	4(T2)	1.250-18UNEF	1.52	1	16	1.205
-435	19	E	4(T2)	1.250-18UNEF	1.52	1.25	20	1.506
-436	19	E	4(T2)	1.250-18UNEF	1.52	1.375	22	1.63
-440	23	F	4	1.438-18UNEF	1.71	1	16	1.205
-441	23	F	4(T2)	1.438-18UNEF	1.71	1.25	20	1.506
-442	23	F	4	1.438-18UNEF	1.71	0.75	12	0.953
-443	23	F	4	1.438-18UNEF	1.71	0.875	14	1.08
-444	23	F	4	1.438-18UNEF	1.71	0.625	10	0.83
-445	23	F	4(T2)	1.438-18UNEF	1.71	1.375	22	1.63
-450	25	G	4	1.562-18UNEF	1.83	0.5	8	0.705
-451	25	G	4	1.562-18UNEF	1.83	1	16	1.205
-452	25	G	4	1.562-18UNEF	1.83	0.75	12	0.953
-453	25	G	4	1.562-18UNEF	1.83	0.875	14	1.08
-454	25	G	4(T2)	1.562-18UNEF	1.83	1.25	20	1.506
5617635-455	25	G	4(T2)	1.562-18UNEF	1.83	1.375	22	1.63

© 2021 TE Connectivity. All Rights Reserved.


DIMENSIONS: in		DWN MARTIN LAREZ 07JUL2021	MATERIAL SEE TABLE	FINISH -
TOLERANCES UNLESS OTHERWISE SPECIFIED:		CHK OSCAR ALVARADO 25-Aug-21	 TE Connectivity	
0 PLC ± 1 PLC ±.1 2 PLC ±.01 3 PLC ±.001 4 PLC ±.0001 ANGLES ±-		APVD OSCAR ALVARADO 25-Aug-21		
PRODUCT SPEC		NAME ADAPTER, ELEC CONN, SHIELD TERMINATING, STR		
APPLICATION SPEC		SIZE A 4	CAGE CODE 00779	DRAWING NO C-2395105-1
WEIGHT		RESTRICTED TO -		
		CUSTOMER DRAWING		SCALE
		SHEET 13 OF 49		REV A 1

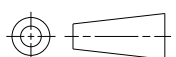
REVISIONS					
P	LTR	DESCRIPTION	DATE	DWN	APVD
	-	SEE SHEET 1	-	-	-

TABLE I (CONTINUED)

NAVSEA PART MASTER	COM'L	MIL	FIG	A R H THREAD CLASS 2B	B MAX O D	Z ±.020 DIA	ENTRY SIZE	D MIN DIA
5617635-456	25	G	4	1.562-18UNEF	1.83	0.625	10	0.83
-457	25	G	4(T2)	1.562-18UNEF	1.83	1.75	28	2.004
-460	29	H	4	1.875-16UN	2.15	0.5	8	0.705
-461	29	H	4	1.875-16UN	2.15	0.75	12	0.953
-462	29	H	4	1.875-16UN	2.15	1	16	1.205
-463	29	H	4	1.875-16UN	2.15	0.875	14	1.08
-470	33	J	4	2.062-16UN	2.33	1	16	1.205
-480	11	A	4(T2)	.750-20UNEF	1.03	0.5	8	0.705
-481	11	A	4(T2)	.750-20UNEF	1.03	0.625	10	0.83
-482	11	A	4(T2)	.750-20UNEF	1.03	0.75	12	0.953
5617635-483	11	A	4	.750-20UNEF	1.03	0.312	5	0.519

© 2021 TE Connectivity. All Rights Reserved.

DIMENSIONS: in	DWN MARTIN LAREZ	07JUL2021	MATERIAL	SEE TABLE	FINISH	-		
	CHK OSCAR ALVARADO	25-Aug-21	 TE Connectivity					
TOLERANCES UNLESS OTHERWISE SPECIFIED:	APVD OSCAR ALVARADO	25-Aug-21						
	0 PLC ±	PRODUCT SPEC	NAME ADAPTER, ELEC CONN, SHIELD TERMINATING, STR					
1 PLC ±.1	APPLICATION SPEC	SIZE				CAGE CODE	DRAWING NO	RESTRICTED TO
2 PLC ±.01		A 4				00779	©=2395105-1	-
3 PLC ±.001	WEIGHT	CUSTOMER DRAWING						
4 PLC ±.0001		SCALE						
ANGLES ±-	SHEET				14 OF 49		REV	A 1


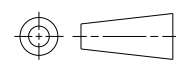


REVISIONS					
P	LTR	DESCRIPTION	DATE	DWN	APVD
	-	SEE SHEET 1	-	-	-

TABLE I (CONTINUED)

NAVSEA PART MASTER	SHELL SIZE	FIG	A R H THREAD CLASS 2B	B MAX O D	Z ±.020 DIA	ENTRY SIZE	D MIN DIA
5617635-500	8	5	.438-28UNEF	0.79	0.25	4	0.456
-510	10	5	.552-24UNEF	0.91	0.312	5	0.519
-520	12	5	.750-20UNEF	1.1	0.375	6	0.58
-530	14	5	.812-20UNEF	1.16	0.5	8	0.705
-540	16	5	.938-20UNEF	1.29	0.625	10	0.83
-542	16	5	.938-20UNEF	1.29	0.75	12	0.953
-550	18	5	1.062-18UNEF	1.41	0.75	12	0.953
-560	20	5	1.188-18UNEF	1.54	0.75	12	0.953
-570	22	5	1.312-18UNEF	1.66	0.875	14	1.08
-571	22	5	1.312-18UNEF	1.66	1	16	1.205
-580	24	5	1.438-18UNEF	1.79	1	16	1.205
-600	8	6	.434-36UNS	0.782	0.25	4	0.456
-610	10	6	.563-36UNS	0.906	0.312	5	0.515
-620	12	6	.733-36UNS	1.094	0.375	6	0.58
-630	14	6	.803-36UNS	1.156	0.5	8	0.705
-640	16	6	.930-36UNS	1.281	0.625	10	0.83
-650	18	6	1.036-36UNS	1.406	0.75	12	0.953
-660	20	6	1.161-36UNS	1.532	0.875	14	1.08
-670	22	6	1.286-36UNS	1.656	0.875	14	1.08
-671	22	6	1.286-36UNS	1.656	1	16	1.205
5617635-680	24	6	1.411-36UNS	1.781	1	16	1.205

© 2021 TE Connectivity. All Rights Reserved.

DIMENSIONS: in	DWN MARTIN LAREZ	07JUL2021	MATERIAL	SEE TABLE	FINISH	-
	CHK OSCAR ALVARADO	25-Aug-21	 TE Connectivity			
TOLERANCES UNLESS OTHERWISE SPECIFIED:	APVD OSCAR ALVARADO	25-Aug-21				
	0 PLC ±	PRODUCT SPEC	NAME ADAPTER, ELEC CONN, SHIELD TERMINATING, STR			
1 PLC ±.1	APPLICATION SPEC	SIZE CAGE CODE DRAWING NO RESTRICTED TO				
2 PLC ±.01		A 4 00779 C-2395105-1 -				
3 PLC ±.001		WEIGHT				
4 PLC ±.0001		CUSTOMER DRAWING				
ANGLES ±-		SCALE				
		SHEET 15 OF 49				
		REV A1				


REVISIONS					
P	LTR	DESCRIPTION	DATE	DWN	APVD
	-	SEE SHEET 1	-	-	-

TABLE I (CONTINUED)

NAVSEA PART MASTER	SERIES II	SERIES I	FIG	A L H THREAD CLASS 2B	B MAX O D	Z ±.02 O DIA	ENTRY SIZE	D MIN DIA
5617635-700	12	10	7	.750-20UNEF	1.07	0.438	7	0.643
-710	14	12	7	.875-20UNEF	1.19	0.562	9	0.705
-715	16	14	7	1.000-20UNEF	1.32	0.625	10	0.832
-720	16	14	7	1.000-20UNEF	1.32	0.688	11	0.893
-730	18	16	7	1.125-18UNEF	1.44	0.75	12	0.953
-740	20	18	7	1.250-18UNEF	1.57	0.875	14	1.08
-741	20		7	1.250-18UNEF	1.57	0.625	10	0.83
-749	22		7	1.375-18UNEF	1.69	0.5	8	0.707
-750	22	20	7	1.375-18UNEF	1.69	1	16	1.205
-751	22	20	7	1.375-18UNEF	1.69	0.75	12	0.953
-752	22	20	7	1.375-18UNEF	1.69	0.875	14	1.08
-753	22		7	1.375-18UNEF	1.69	0.625	10	0.832
-754	24	22	7	1.625-18UNEF	2.07	0.5	8	0.705
-756	24	22	7	1.625-18UNEF	2.07	0.75	12	0.953
-760	24	22	7	1.625-18UNEF	2.07	1	16	1.205
-770	28	24	7	1.875-16UN	2.32	1	16	1.205
-780	32		7	2.062-16UNS	2.57	1	16	1.205
-781	32		7	2.062-16UNS	2.57	1.25	20	1.457
-782	32		7	2.062-16UNS	2.57	1.125	18	1.33
-790	36		7	2.312-16UNS	2.82	1	16	1.205
5617635-791	36		7	2.312-16UNS	2.82	1.375	22	1.58

T2-TYPE 2 OPTION- REFER TO APPLICABLE FIGURE.

© 2021 TE Connectivity. All Rights Reserved.

DIMENSIONS: in	DWN MARTIN LAREZ	07JUL2021	MATERIAL	SEE TABLE	FINISH	-
	CHK OSCAR ALVARADO	25-Aug-21	 TE Connectivity			
TOLERANCES UNLESS OTHERWISE SPECIFIED:	APVD OSCAR ALVARADO	25-Aug-21				
0 PLC ± 1 PLC ±.1 2 PLC ±.01 3 PLC ±.001 4 PLC ±.0001 ANGLES ±-	PRODUCT SPEC	-	NAME ADAPTER, ELEC CONN, SHIELD TERMINATING, STR			
	APPLICATION SPEC	-	SIZE	CAGE CODE	DRAWING NO	RESTRICTED TO
	WEIGHT	-	A 4	00779	C-2395105-1	-
	CUSTOMER DRAWING			SCALE	SHEET	16 OF 49

REVISIONS					
P	LTR	DESCRIPTION	DATE	DWN	APVD
	-	SEE SHEET 1	-	-	-


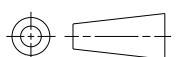
TABLE I (CONTINUED)

NAVSEA PART MASTER	SHELL SIZE	(1) FIG	A R H THREAD CLASS 2B	B MAX O D	Z ±.020 DIA	ENTRY SIZE	D MIN DIA
5617635-800	8S	8	.375-32UNEF	0.73	0.25	4	0.456
-810	10S	8(T2)	.500-28UNEF	0.79	0.5	8	0.705
-820	10SL, 12, 12S	8	.625-24UNEF	0.92	0.312	5	0.515
-830	14, 14S	8	.750-20UNEF	1.04	0.438	7	0.643
-840	16, 16S	8	.875-20UNEF	1.23	0.562	9	0.705
-850	18	8	1.000-20UNEF	1.35	0.688	11	0.893
-860	20	8	1.125-18UNEF	1.48	0.75	12	0.953
-870	22	8	1.250-18UNEF	1.6	0.938	15	1.143
-880	24	8	1.375-18UNEF	1.73	1	16	1.205
-882	24	8	1.375-18UNEF	1.73	0.5	8	0.705
-890	28	8	1.625-18UNEF	2.1	0.875	14	1.081
-891	28	8	1.625-18UNEF	2.1	1	16	1.205
-900	32	8	1.875-16UN	2.23	1	16	1.205
-910	36	8	2.062-16UNS	2.48	1	16	1.205
5617635-920	40	8	2.312-16UNS	2.73	1	16	1.205

T2-TYPE 2 OPTION-REFER TO APPLICABLE FIGURE.

(1) FOR USE WITH BENDIX MIL-C-5015, CLASS A, E, AND R, MS3106, SOLDER CONTACT CONNECTORS, LESS ENDBELL.

© 2021 TE Connectivity. All Rights Reserved.

DIMENSIONS: in	DWN MARTIN LAREZ	07JUL2021	MATERIAL	SEE TABLE	FINISH	-
	CHK OSCAR ALVARADO	25-Aug-21	 TE Connectivity			
TOLERANCES UNLESS OTHERWISE SPECIFIED:	APVD OSCAR ALVARADO	25-Aug-21				
0 PLC ±	PRODUCT SPEC	-	NAME ADAPTER, ELEC CONN, SHIELD TERMINATING, STR			
1 PLC ±.1	APPLICATION SPEC	-				
2 PLC ±.01	WEIGHT	-	SIZE	CAGE CODE	DRAWING NO	RESTRICTED TO
3 PLC ±.001			A 4	00779	©-2395105-1	-
4 PLC ±.0001						
ANGLES ±-						
			CUSTOMER DRAWING		SCALE	SHEET 17 OF 49
					REV	A 1


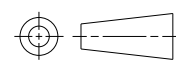
REVISIONS					
P	LTR	DESCRIPTION	DATE	DWN	APVD
	-	SEE SHEET 1	-	-	-

TABLE I (CONTINUED)

NAVSEA PART MASTER	SHELL SIZE	(2) FIG	A R H THREAD CLASS 2B	B MAX O D	Z $\pm .020$ DIA	ENTRY SIZE	D MIN DIA
5617635-1000	8S	8	.438-28UNEF	0.73	0.188	3	0.393
-1010	10S	8	.500-28UNEF	0.79	0.25	4	0.456
-1020	12,12S	8	.625-24UNEF	0.92	0.375	6	0.581
-1030	14,14S	8	.750-20UNEF	1.04	0.375	6	0.581
-1040	16,16S	8	.875-20UNEF	1.23	0.5	8	0.705
-1050	18	8	1.000-20UNEF	1.35	0.625	10	0.831
-1060	20	8	1.125-18UNEF	1.48	0.75	12	0.953
-1070	22	8	1.250-18UNEF	1.6	0.875	14	1.081
-1100	32	8	1.875-16UN	2.23	1	16	1.205
-1110	36	8	2.125-16UN	2.48	1	16	1.205
5617635-1120	40	8	2.375-16UN	2.73	1	16	1.205

(2) FOR USE WITH CANNON MIL-C-5015, CLASS A, MS3100, MS3101, MS3106, MS3107, SOLDER CONTACT CONNECTORS, LESS ENDBELL.

© 2021 TE Connectivity. All Rights Reserved.

DIMENSIONS: in	DWN MARTIN LAREZ	07JUL2021	MATERIAL	SEE TABLE	FINISH	-
	CHK OSCAR ALVARADO	25-Aug-21	 TE Connectivity			
TOLERANCES UNLESS OTHERWISE SPECIFIED:	APVD OSCAR ALVARADO	25-Aug-21				
	0 PLC \pm	PRODUCT SPEC	NAME ADAPTER, ELEC CONN, SHIELD TERMINATING, STR			
1 PLC $\pm .1$	APPLICATION SPEC	SIZE				
2 PLC $\pm .01$		CAGE CODE	DRAWING NO		RESTRICTED TO	
3 PLC $\pm .001$		A4	00779	C-2395105-1	-	
4 PLC $\pm .0001$		WEIGHT				
ANGLES \pm			CUSTOMER DRAWING		SCALE	SHEET 18 OF 49
					REV	A1

REVISIONS					
P	LTR	DESCRIPTION	DATE	DWN	APVD
	-	SEE SHEET 1	-	-	-

TABLE I (CONTINUED)

NAVSEA PART MASTER	SHELL SIZE	(3) FIG	A R H THREAD CLASS 2B	B MAX O D	Z ±.020 DIA	ENTRY SIZE	D MIN DIA
5617635-1200	8S	8	.438-28UNEF	0.73	0.25	4	0.456
-1220	10S	8	.562-24UNEF	0.85	0.312	5	0.515
5617635-1230	12,12S	8	.625-24UNEF	0.92	0.312	5	0.515


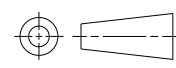
(3) FOR USE WITH CANNON MIL-C-5015, CLASS E, F, AND R, MS3100, MS3101, MS3106, MS3107, SOLDER CONTACT CONNECTORS, LESS ENDBELL.

TABLE I (CONTINUED)

NAVSEA PART MASTER	SHELL SIZE	(4) FIG	A R H THREAD CLASS 2B	B MAX O D	Z ±.020 DIA	ENTRY SIZE	D MIN DIA
5617635-1400	8S	8	.438-27UNS	0.73	0.25	4	0.456
-1420	10SL	8	.625-24UNEF	0.92	0.312	5	0.515
-1460	20	8	1.125-18UNEF	1.48	0.75	12	0.953
-1500	32	8	1.906-18UN	2.23	1	16	1.205
-1510	36	8	2.125-16UNS	2.48	1	16	1.205
5617635-1520	40	8	2.375-16UNS	2.73	1	16	1.205

(4) FOR USE WITH AMPHENOL MIL-C-5015, CLASS A, MS3106, SOLDER CONTACT CONNECTORS, LESS ENDBELL.

© 2021 TE Connectivity. All Rights Reserved.

DIMENSIONS: in	DWN MARTIN LAREZ	07JUL2021	MATERIAL	SEE TABLE	FINISH	-
	CHK OSCAR ALVARADO	25-Aug-21				
TOLERANCES UNLESS OTHERWISE SPECIFIED:	APVD OSCAR ALVARADO	25-Aug-21				
	0 PLC ±	PRODUCT SPEC	NAME ADAPTER, ELEC CONN, SHIELD TERMINATING, STR			
1 PLC ±.1	APPLICATION SPEC	SIZE CAGE CODE DRAWING NO RESTRICTED TO				
2 PLC ±.01		A 4 00779 C-2395105-1 -				
3 PLC ±.001		WEIGHT				
4 PLC ±.0001		CUSTOMER DRAWING				
ANGLES ±-		SCALE				
		SHEET 19 OF 49				
		REV A 1				

REVISIONS					
P	LTR	DESCRIPTION	DATE	DWN	APVD
	-	SEE SHEET 1	-	-	-

TABLE I (CONTINUED)

NAVSEA PART MASTER	SHELL SIZE	(5) FIG	A R H THREAD CLASS 2B	B MAX O D	Z ±.020 DIA	ENTRY SIZE	D MIN DIA
5617635-1600	8S, 10S	8	.500-28UNEF	0.79	0.25	4	0.456
-1610	10SL, 12, 12S	8	.625-24UNEF	0.91	0.312	5	0.515
-1620	14, 14S	8	.750-20UNEF	1.04	0.438	7	0.643
-1630	16, 16S	8	.875-20UNEF	1.16	0.562	9	0.705
-1640	18	8	1.000-20UNEF	1.34	0.688	11	0.893
-1650	20, 22	8	1.188-18UNEF	1.47	0.875	14	1.088
-1660	24, 28	8	1.438-18UNEF	1.82	0.875	14	1.088
-1661	24, 28	8	1.438-18UNEF	1.82	1	16	1.205
-1670	32	8	1.750-18UNS	2.16	1	16	1.205
-1672	32	8	1.750-18UNS	2.16	0.75	12	0.953
5617635-1680	36	8	2.000-18UNS	2.44	1	16	1.205


5) FOR USE WITH MIL-C-5015, SOLDER CONTACT, MS "V" THREAD, GENERAL DUTY ENDBELLS.

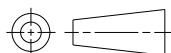
TABLE 1 (CONTINUED)

NAVSEA PART MASTER	SHELL SIZE	(6) FIG	A R H THREAD CLASS 2B	B MAX O D	Z ±.020 DIA	ENTRY SIZE	D MIN DIA
5617635-1700	10SL	8	.625-24UNEF	0.92	0.312	5	0.515
-1710	12, 12S	8	.688-24UNEF	0.98	0.375	6	0.581
-1750	20	8	1.125-24UNEF	1.48	0.75	12	0.953
-1790	32	8	1.906-18UN	2.23	1	16	1.205
5617635-1800	36	8	2.062-20UNS	2.48	1	16	1.205

(6) FOR USE WITH AMPHENOL MIL-C-5015, CLASS E, F, AND R, MS3100, MS3101, MS3106, MS3107, SOLDER CONTACT CONNECTORS, LESS ENDBELL.

© 2021 TE Connectivity. All Rights Reserved.

DIMENSIONS: in	DWN MARTIN LAREZ	07JUL2021	MATERIAL	SEE TABLE	FINISH	-
	CHK OSCAR ALVARADO	25-Aug-21	 TE Connectivity			
TOLERANCES UNLESS OTHERWISE SPECIFIED:	APVD OSCAR ALVARADO	25-Aug-21				
	0 PLC ±	PRODUCT SPEC	NAME	ADAPTER, ELEC CONN, SHIELD TERMINATING, STR		
1 PLC ±.1	APPLICATION SPEC	SIZE	CAGE CODE	DRAWING NO	RESTRICTED TO	
2 PLC ±.01		A 4	00779	C=2395105-1	-	
3 PLC ±.001	WEIGHT	-				
4 PLC ±.0001	CUSTOMER DRAWING		SCALE	SHEET	20 ^{OF} 49	REV
ANGLES ±-					A 1	




REVISIONS					
P	LTR	DESCRIPTION	DATE	DWN	APVD
	-	SEE SHEET 1	-	-	-

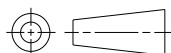
TABLE I (CONTINUED)

NAVSEA PART MASTER	SHELL SIZE	FIG	A R H THREAD CLASS 2B	B MAX O D	Z ±.020 DIA	ENTRY SIZE	D MIN DIA
5617635-1900	8	9(T2)	.438-28UNEF	0.72	0.5	8	0.705
-1905	8	9(T2)	.438-28UNEF	1.18	0.625	10	0.831
-1910	10	9	.562-24UNEF	0.85	0.375	6	0.581
-1920	12	9	.688-24UNEF	0.98	0.375	6	0.581
-1921	12	9	.688-24UNEF	0.98	0.5	8	0.705
-1922	12	9(T2)	.688-24UNEF	1.18	0.625	10	0.831
-1923	12	9(T2)	.688-24UNEF	1.35	0.75	12	0.953
-1930	14	9	.812-20UNEF	1.11	0.5	8	0.705
-1931	14	9	.812-20UNEF	1.11	0.625	10	0.831
-1940	16	9	.938-20UNEF	1.23	0.625	10	0.831
-1949	18	9	1.062-18UNEF	1.36	0.625	10	0.831
-1950	18	9	1.062-18UNEF	1.36	0.75	12	0.953
-1960	20	9	1.188-18UNEF	1.48	0.75	12	0.953
-1967	22	9	1.312-18UNEF	1.6	0.5	8	0.705
-1970	22	9	1.312-18UNEF	1.6	0.875	14	1.08
5617635-1980	24	9	1.438-18UNEF	1.72	1	16	1.2

T2-TYPE 2 OPTION-REFER TO APPLICABLE FIGURE.

© 2021 TE Connectivity. All Rights Reserved.

DIMENSIONS: in	DWN MARTIN LAREZ	07JUL2021	MATERIAL	SEE TABLE	FINISH	-
	CHK OSCAR ALVARADO	25-Aug-21	 TE Connectivity			
TOLERANCES UNLESS OTHERWISE SPECIFIED:	APVD OSCAR ALVARADO	25-Aug-21				
	0 PLC ±	PRODUCT SPEC	NAME ADAPTER, ELEC CONN, SHIELD TERMINATING, STR			
1 PLC ±.1	APPLICATION SPEC	SIZE CAGE CODE DRAWING NO RESTRICTED TO				
2 PLC ±.01		A 4	00779	C=2395105-1	-	
3 PLC ±.001	WEIGHT					
4 PLC ±.0001		CUSTOMER DRAWING				
ANGLES ±-		SCALE	SHEET 21 OF 49		REV A 1	




REVISIONS					
P	LTR	DESCRIPTION	DATE	DWN	APVD
	-	SEE SHEET 1	-	-	-

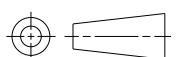
TABLE I (CONTINUED)

NAVSEA PART MASTER	COM'L	MIL	FIG	A R H THREAD CLASS 6H	B MAX O D	Z ±.020 DIA	ENTRY SIZE	D MIN DIA
5617635-2050	9	A	10(T2)	M12X1.0	0.92	0.5	8	0.705
-2054	11	B	10(T2)	M15X1.0	1.18	0.625	10	0.831
-2055	9	A	10(T2)	M12X1.0	1.18	0.625	10	0.831
-2056	11	B	10(T2)	M15X1.0	0.92	0.5	8	0.705
-2057	11	B	10(T2)	M15X1.0	1.35	0.75	12	0.953
-2059	13	C	10(T2)	M18X1.0	1.22	1	16	1.2
-2060	13	C	10(T2)	M18X1.0	1.04	0.75	12	0.953
-2061	13	C	10(T2)	M18X1.0	1.18	0.625	10	0.831
-2070	15	D	10(T2)	M22X1.0	2.23	1.375	22	1.583
-2075	15	D	10(T2)	M22X1.0	1.6	1	16	1.205
-2078	15	D	10	M22X1.0	1.16	0.5	8	0.705
-2079	15	D	10	M22X1.0	1.16	0.625	10	0.831
-2080	15	D	10(T2)	M22X1.0	1.16	0.75	12	0.953
-2081	13	C	10	M18X1.0	1.04	0.5	8	0.705
-2088	17	E	10	M25X1.0	1.29	0.5	8	0.705
-2090	17	E	10	M25X1.0	1.29	0.625	10	0.83
-2091	17	E	10	M25X1.0	1.29	0.75	12	0.953
-2092	17	E	10(T2)	M25X1.0	2.23	1.375	22	1.63
-2093	17	E	10(T2)	M25X1.0	1.6	1	16	1.205
-2098	19	F	10	M28X1.0	1.41	0.75	12	0.953
-2099	19	F	10	M28X1.0	1.41	0.625	10	0.831
-2100	19	F	10(T2)	M28X1.0	1.66	1.125	18	1.38
-2101	19	F	10(T2)	M28X1.0	2.04	1.25	20	1.5
-2107	19	F	10(T2)	M28X1.0	2.23	1.375	22	1.63
-2109	21	G	10	M31X1.0	1.54	0.5	8	0.705
-2110	21	G	10	M31X1.0	1.54	0.75	12	0.953
-2111	21	G	10	M31X1.0	1.54	0.625	10	0.831
-2112	21	G	10	M31X1.0	1.54	0.875	14	1.08
-2113	21	G	10	M31X1.0	1.54	1	16	1.2
-2116	21	G	10(T2)	M31X1.0	1.54	1.375	22	1.631
-2118	23	H	10	M34X1.0	1.66	0.5	8	0.705
-2119	23	H	10	M34X1.0	1.66	0.625	10	0.831
5617635-2120	23	H	10	M34X1.0	1.66	0.75	12	0.953

T2-TYPE 2 OPTION-REFER TO APPLICABLE FIGURE.

© 2021 TE Connectivity. All Rights Reserved.

DIMENSIONS: in	DWN MARTIN LAREZ	07JUL2021	MATERIAL	SEE TABLE	FINISH	-
	CHK OSCAR ALVARADO	25-Aug-21	 TE Connectivity			
TOLERANCES UNLESS OTHERWISE SPECIFIED:	APVD OSCAR ALVARADO	25-Aug-21				
0 PLC ±	PRODUCT SPEC	-	NAME ADAPTER, ELEC CONN, SHIELD TERMINATING, STR			
1 PLC ±.1	APPLICATION SPEC	-	SIZE	CAGE CODE	DRAWING NO	RESTRICTED TO
2 PLC ±.01	WEIGHT	-	A 4	00779	©-2395105-1	-
3 PLC ±.001			CUSTOMER DRAWING			
4 PLC ±.0001			SCALE	SHEET	22 ^{OF} 49	REV A 1
ANGLES ±-						




REVISIONS					
P	LTR	DESCRIPTION	DATE	DWN	APVD
	-	SEE SHEET 1	-	-	-

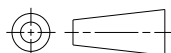
TABLE I (CONTINUED)

NAVSEA PART MASTER	COM'L	MIL	FIG	A R H THREAD CLASS 6H	B MAX O D	Z ±.020 DIA	ENTRY SIZE	D MIN DIA
5617635-2121	23	H	10	M34X1.0	1.66	0.875	14	1.08
-2123	23	H	10	M34X1.0	1.66	1.125	18	1.381
-2125	23	H	10(T2)	M34X1.0	1.66	1.375	22	1.63
-2128	25	J	10	M37X1.0	1.85	0.375	6	0.581
-2129	25	J	10	M37X1.0	1.85	0.5	8	0.705
-2130	25	J	10	M37X1.0	1.85	0.875	14	1.08
-2131	25	J	10	M37X1.0	1.85	0.625	10	0.831
-2132	25	J	10	M37X1.0	1.85	0.75	12	0.953
-2133	25	J	10	M37X1.0	1.85	1	16	1.2
5617635-2134	25	J	10(T2)	M37X1.0	1.85	1.375	22	1.63

T2-TYPE 2 OPTION-REFER TO APPLICABLE FIGURE.

© 2021 TE Connectivity. All Rights Reserved.

DIMENSIONS: in	DWN MARTIN LAREZ	07JUL2021	MATERIAL	SEE TABLE	FINISH	-
	CHK OSCAR ALVARADO	25-Aug-21				
TOLERANCES UNLESS OTHERWISE SPECIFIED:	APVD OSCAR ALVARADO	25-Aug-21				
0 PLC ±	PRODUCT SPEC	-	NAME ADAPTER, ELEC CONN, SHIELD TERMINATING, STR			
1 PLC ±.1	APPLICATION SPEC	-	SIZE	CAGE CODE	DRAWING NO	RESTRICTED TO
2 PLC ±.01			A 4	00779	©-2395105-1	-
3 PLC ±.001	WEIGHT	-				
4 PLC ±.0001			CUSTOMER DRAWING			
ANGLES ±-			SCALE	SHEET	23 ^{OF} 49	REV A 1




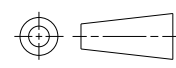
REVISIONS

P	LTR	DESCRIPTION	DATE	DWN	APVD
	-	SEE SHEET 1	-	-	-

TABLE II

NAVSEA PART MASTER	TYCO/RAYCHEM PART NUMBER	SUNBANK PART NUMBER	GLENAIR PART NUMBER
-5617635	TXR61AB00-0804A12	S1744-0504-34	319JS067NF0804-6
-1	TXR61AB00-0806A12	S1744-0506-34	319JS067NF0806-6
-2	TXR61AB00-0808A12	S1744-0508-34	319JS067NF0808-6
-10	TXR61AB00-1006A12	S1744-0806-34	319JS067NF1006-6
-11	TXR61AB00-1008A12	S1744-0808-34	319JS067NF1008-6
-12	TXR61AB00-1010A12	S1744-0810-34	319JS067NF1010-6
-13	TXR61AB00-1012A12	S1744-0812-34	319JS067NF1012-6
-20	TXR61AB00-1408A12	S1744-1408-34	319JS067NF1408-6
-21	TXR61AB00-1410A12	S1744-1410-34	319JS067NF1410-6
-22	TXR61AB00-1414A12	S1744-1414-34	319JS067NF1414-6
-23	TXR61AB00-1416A12	S1744-1416-34	319JS067NF1416-6
-24	TXR61AB00-1412A12	S1744-1412-34	319JS067NF1412-6
-26	TXR61AB00-1420A12	S1744-1420-34	319JS067NF1420-6
-30	TXR61AB00-1610A12	S1744-1710-34	319JS067NF1610-6
-31	TXR61AB00-1612A12	S1744-1712-34	319JS067NF1612-6
-32	TXR61AB00-1618A12	S1744-1718-34	319JS067NF1618-6
-33	TXR61AB00-1606A12	S1744-1706-34	319JS067NF1606-6
-34	TXR61AB00-1622A12	S1744-1722-34	319JS067NF1622-6
-39	TXR61AB00-1810A12	S1744-2110-34	319JS067NF1810-6
-40	TXR61AB00-1808A12	S1744-2108-34	319JS067NF1808-6
-41	TXR61AB00-1812A12	S1744-2112-34	319JS067NF1812-6
-42	TXR61AB00-1816A12	S1744-2116-34	319JS067NF1816-6
-43	TXR61AB00-1820A12	S1744-2120-34	319JS067NF1820-6
-44	TXR61AB00-1822A12	S1744-2122-34	319JS067NF1822-6
-45	TXR61AB00-1814A12	S1744-2114-34	319JS067NF1814-6
-50	TXR61AB00-2014A12	S1744-2414-34	319JS067NF2014-6
-51	TXR61AB00-2018A12	S1744-2418-34	319JS067NF2018-6
-52	TXR61AB00-2020A12	S1744-2420-34	319JS067NF2020-6
-53	TXR61AB00-2012A12	S1744-2412-34	319JS067NF2012-6
-54	TXR61AB00-2016A12	S1744-2416-34	319JS067NF2016-6
-60	TXR61AB00-2214A12	S1744-2714-34	319JS067NF2214-6
-61	TXR61AB00-2216A12	S1744-2716-34	319JS067NF2216-6
-62	TXR61AB00-2220A12	S1744-2720-34	319JS067NF2220-6
-63	TXR61AB00-2212A12	S1744-2712-34	319JS067NF2212-6
-64	TXR61AB00-2222A12	S1744-2722-34	319JS067NF2222-6
-70	TXR61AB00-2414A12	S1744-2914-34	319JS067NF2414-6
-71	TXR61AB00-2416A12	S1744-2916-34	319JS067NF2416-6
5617635-72	TXR61AB00-2418A12	S1744-2918-34	319JS067NF2418-6


© 2021 TE Connectivity. All Rights Reserved.

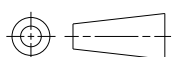
DIMENSIONS: in		DWN MARTIN LAREZ 07JUL2021	MATERIAL SEE TABLE		FINISH -
TOLERANCES UNLESS OTHERWISE SPECIFIED:		CHK OSCAR ALVARADO 25-Aug-21	 TE Connectivity		
0 PLC ± 1 PLC ±.1 2 PLC ±.01 3 PLC ±.001 4 PLC ±.0001 ANGLES ±-		APVD OSCAR ALVARADO 25-Aug-21			
		PRODUCT SPEC -	NAME ADAPTER, ELEC CONN, SHIELD TERMINATING, STR		
		APPLICATION SPEC -	SIZE A 4	CAGE CODE 00779	DRAWING NO C-2395105-1
		WEIGHT -	RESTRICTED TO -		
		CUSTOMER DRAWING		SCALE	SHEET 24 ^{OF} 49
				REV	A 1

REVISIONS					
P	LTR	DESCRIPTION	DATE	DWN	APVD
	-	SEE SHEET 1	-	-	-

NAVSEA PART MASTER	TYCO/RAYCHEM PART NUMBER	SUNBANK PART NUMBER	GLENAIR PART NUMBER
5617635-100	TXR54AB00-0804A12	S1680-0401-34-6	319AS067NF0804-6
-103	TXR54AB00-0808A12	S1680-0405-34-6	319AS067NF0808-6
-105	TXR54AB00-0810A12	S1680-0407-34-6	319AS067NF0810-6
-110	TXR54AB00-1005A12	S1680-0702-34-6	319AS067NF1005-6
-111	TXR54AB00-1010A12	S1680-0707-34-6	319AS067NF1010-6
-112	TXR54AB00-1006A12	S1680-0703-34-6	319AS067NF1006-6
-113	TXR54AB00-1008A12	S1680-0705-34-6	319AS067NF1008-6
-114	TXR54AB00-1012A12	S1680-0709-34-6	319AS067NF1012-6
-120	TXR54AB00-1206A12	S1680-1003-34-6	319AS067NF1206-6
-121	TXR54AB00-1207A12	S1680-1004-34-6	319AS067NF1207-6
-122	TXR54AB00-1208A12	S1680-1005-34-6	319AS067NF1208-6
-123	TXR54AB00-1212A12	S1680-1009-34-6	319AS067NF1212-6
-124	TXR54AB00-1210A12	S1680-1007-34-6	319AS067NF1210-6
-130	TXR54AB00-1406A12	S1680-1303-34-6	319AS067NF1406-6
-131	TXR54AB00-1408A12	S1680-1305-34-6	319AS067NF1408-6
-132	TXR54AB00-1410A12	S1680-1307-34-6	319AS067NF1410-6
-133	TXR54AB00-1412A12	S1680-1309-34-6	319AS067NF1412-6
-134	TXR54AB00-1414A12	S1680-1310-34-6	319AS067NF1414-6
-135	TXR54AB00-1416A12	S1680-1311-34-6	319AS067NF1416-6
-140	TXR54AB00-1608A12	S1680-1605-34-6	319AS067NF1608-6
-141	TXR54AB00-1610A12	S1680-1607-34-6	319AS067NF1610-6
-142	TXR54AB00-1612A12	S1680-1609-34-6	319AS067NF1612-6
-143	TXR54AB00-1616A12	S1680-1611-34-6	319AS067NF1616-6
-144	TXR54AB00-1614A12	S1680-1610-34-6	319AS067NF1614-6
-150	TXR54AB00-1806A12	S1680-1803-34-6	319AS067NF1806-6
-151	TXR54AB00-1808A12	S1680-1805-34-6	319AS067NF1808-6
-152	TXR54AB00-1810A12	S1680-1807-34-6	319AS067NF1810-6
-153	TXR54AB00-1812A12	S1680-1809-34-6	319AS067NF1812-6
-154	TXR54AB00-1814A12	S1680-1810-34-6	319AS067NF1814-6
-155	TXR54AB00-1816A12	S1680-1811-34-6	319AS067NF1816-6
-156	TXR54AB00-1820A12	S1680-1816-34-6	319AS067NF1820-6
-159	TXR54AB00-2008A12	S1680-2205-34-6	319AS067NF2008-6
-160	TXR54AB00-2010A12	S1680-2207-34-6	319AS067NF2010-6
-161	TXR54AB00-2012A12	S1680-2209-34-6	319AS067NF2012-6
-162	TXR54AB00-2014A12	S1680-2210-34-6	319AS067NF2014-6
-163	203M020-19B15G	S1680-2215-34-6	319AS067NF2015-6
-164	TXR54AB00-2016A12	S1680-2211-34-6	319AS067NF2016-6
5617635-165	TXR54AB00-2018A12	S1680-2212-34-6	319JS067NF2018-6

© 2021 TE Connectivity. All Rights Reserved.

DIMENSIONS: in	DWN MARTIN LAREZ	07JUL2021	MATERIAL	SEE TABLE	FINISH	-
	CHK OSCAR ALVARADO	25-Aug-21	 TE Connectivity			
TOLERANCES UNLESS OTHERWISE SPECIFIED:	APVD OSCAR ALVARADO	25-Aug-21				
	0 PLC ±	PRODUCT SPEC	NAME	ADAPTER, ELEC CONN, SHIELD TERMINATING, STR		
1 PLC ±.1	APPLICATION SPEC	SIZE	CAGE CODE	DRAWING NO	RESTRICTED TO	
2 PLC ±.01		A 4	00779	©-2395105-1		
3 PLC ±.001	WEIGHT	-				
4 PLC ±.0001		CUSTOMER DRAWING				
ANGLES ±-		SCALE	SHEET	25 ^{OF} 49	REV	A 1




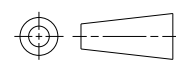
REVISIONS

P	LTR	DESCRIPTION	DATE	DWN	APVD
	-	SEE SHEET 1	-	-	-

TABLE II (CONTINUED)

NAVSEA PART MASTER	TYCO/RAYCHEM PART NUMBER	SUNBANK PART NUMBER	GLENAIR PART NUMBER
5617635-166	TXR54AB00-2020A12	S1680-2216-34-6	319AS067NF2020-6
-170	TXR54AB00-2210A12	S1680-2507-34-6	319AS067NF2210-6
-171	TXR54AB00-2212A12	S1680-2509-34-6	319AS067NF2212-6
-172	TXR54AB00-2214A12	S1680-2510-34-6	319AS067NF2214-6
-173	TXR54AB00-2216A12	S1680-2511-34-6	319AS067NF2216-6
-174	TXR54AB00-2222A12	S1680-2517-34-6	319AS067NF2222-6
-175	TXR54AB00-2208A12	S1680-2505-34-6	319AS067NF2208-6
-180	TXR54AB00-2408A12	S1680-2805-34-6	319AS067NF2408-6
-181	TXR54AB00-2410A12	S1680-2807-34-6	319AS067NF2410-6
-182	TXR54AB00-2412A12	S1680-2809-34-6	319AS067NF2412-6
-183	TXR54AB00-2414A12	S1680-2810-34-6	319AS067NF2414-6
-184	TXR54AB00-2416A12	S1680-2811-34-6	319AS067NF2416-6
-185	TXR54AB00-2418A12	S1680-2812-34-6	319AS067NF2418-6
-186	TXR54AB00-2420A12	S1680-2816-34-6	319AS067NF2420-6
-187	TXR54AB00-2422A12	S1680-2817-34-6	319AS067NF2422-6
-188	TXR54AB00-2424A12	S1680-2818-34-6	319AS067NF2424-6
-189	203M024-19B28G	S1680-2820-34-6	319AS067NF2428-6
-190	TXR54AB00-2810A12	S1680-3107-34-6	319AS067NF2810-6
-191	TXR54AB00-2812A12	S1680-3109-34-6	319AS067NF2812-6
-192	TXR54AB00-2814A12	S1680-3110-34-6	319AS067NF2814-6
-193	TXR54AB00-2816A12	S1680-3111-34-6	319AS067NF2816-6
-194	TXR54AB00-2818A12	S1680-3112-34-6	319AS067NF2818-6
-195	TXR54AB00-2822A12	S1680-3117-34-6	319AS067NF2822-6
-196	TXR54AB00-2820A12	S1680-3116-34-6	319AS067NF2820-6
-197	203M028-19B28G	S1680-3120-34-6	319AS067NF2828-6
-200	TXR54AB00-3214A12	S1680-3410-34-6	319AS067NF3214-6
-201	TXR54AB00-3216A12	S1680-3411-34-6	319AS067NF3216-6
-202	TXR54AB00-3220A12	S1680-3416-34-6	319AS067NF3220-6
-203	TXR54AB00-3222A12	S1680-3417-34-6	319AS067NF3222-6
-206	203M032-19B28G	S1680-3420-34-6	319AS067NF3228-6
-210	TXR54AB00-3612A12	S1680-3909-34-6	319AS067NF3612-6
-211	TXR54AB00-3614A12	S1680-3910-34-6	319AS067NF3614-6
-212	TXR54AB00-3616A12	S1680-3911-34-6	319AS067NF3616-6
-213	TXR54AB00-3618A12	S1680-3912-34-6	319AS067NF3618-6
-214	TXR54AB00-3620A12	S1680-3916-34-6	319AS067NF3620-6
-215	TXR54AB00-3622A12	S1680-3917-34-6	319AS067NF3622-6
-216	TXR54AB00-3610A12	S1680-3907-34-6	319AS067NF3610-6
5617635-217	203M036-19B28G	S1680-3920-34-6	319AS067NF3628-6

© 2021 TE Connectivity. All Rights Reserved.

DIMENSIONS: in		DWN MARTIN LAREZ 07JUL2021	MATERIAL SEE TABLE	FINISH -			
TOLERANCES UNLESS OTHERWISE SPECIFIED:		CHK OSCAR ALVARADO 25-Aug-21	 TE Connectivity				
0 PLC ± 1 PLC ±.1 2 PLC ±.01 3 PLC ±.001 4 PLC ±.0001 ANGLES ±-		APVD OSCAR ALVARADO 25-Aug-21					
		PRODUCT SPEC -	NAME ADAPTER, ELEC CONN, SHIELD TERMINATING, STR				
		APPLICATION SPEC -	SIZE A4	CAGE CODE 00779	DRAWING NO C-2395105-1	RESTRICTED TO -	
		WEIGHT -	CUSTOMER DRAWING		SCALE	SHEET 26 ^{OF} 49	REV A1


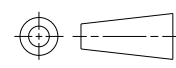
REVISIONS

P	LTR	DESCRIPTION	DATE	DWN	APVD
	-	SEE SHEET 1	-	-	-

TABLE II (CONTINUED)

NAVSEA PART MASTER	TYCO/RAYCHEM PART NUMBER	SUNBANK PART NUMBER	GLENAIR PART NUMBER
5617635-220	TXR54AB00-4012A12	S1680-4209-34-6	319AS067NF 4012-6
-221	TXR54AB00-4016A12	S1680-4211-34-6	319AS067NF 4016-6
-222	TXR54AB00-4020A12	S1680-4216-34-6	319AS067NF 4020-6
-223	TXR54AB00-4022A12	S1680-4217-34-6	319AS067NF 4022-6
-224	TXR54AB00-4024A12	S1680-4218-34-6	319AS067NF 4024-6
-225	TXR54AB00-4014A12	S1680-4210-34-6	319AS067NF 4014-6
-226	TXR54AB00-4018A12	S1680-4212-34-6	319AS067NF 4018-6
-227	TXR54AB00-4010A12	S1680-4207-34-6	319AS067NF 4010-6
-229	203M040-19B28G	S1680-4220-34-6	319AS067NF 4028-6
-235	TXR54AB00-4422A12	S1680-4417-34-6	319AS067NF 4422-6
-238	203M044-19B28G	S1680-4420-34-6	319AS067NF 4428-6
-300	TXR41AB00-0804A12	S1693-0301-34-6	319FS067NF 0804-6
-305	TXR41AB00-0808A12	S1693-0305-34-6	319FS067NF 0808-6
-310	TXR41AB00-1005A12	S1693-0602-34-6	319FS067NF 1005-6
-315	TXR41AB00-1010A12	S1693-0607-34-6	319FS067NF 1010-6
-318	TXR41AB00-1012A12	S1693-0609-34-6	319FS067NF 1012-6
-320	TXR41AB00-1206A12	S1693-0903-34-6	319FS067NF 1206-6
-323	TXR41AB00-1210A12	S1693-0907-34-6	319FS067NF 1210-6
-325	TXR41AB00-1212A12	S1693-0909-34-6	319FS067NF 1212-6
-327	TXR41AB00-1216A12	S1693-0911-34-6	319FS067NF 1216-6
-330	TXR41AB00-1408A12	S1693-1205-34-6	319FS067NF 1408-6
-331	TXR41AB00-1410A12	S1693-1207-34-6	319FS067NF 1410-6
-333	TXR41AB00-1412A12	S1693-1209-34-6	319FS067NF 1412-6
-335	TXR41AB00-1416A12	S1693-1211-34-6	319FS067NF 1416-6
-340	TXR41AB00-1610A12	S1693-1507-34-6	319FS067NF 1610-6
-341	TXR41AB00-1612A12	S1693-1509-34-6	319FS067NF 1612-6
-342	TXR41AB00-1616A12	S1693-1511-34-6	319FS067NF 1616-6
-350	TXR41AB00-1812A12	S1693-1809-34-6	319FS067NF 1812-6
-351	TXR41AB00-1818A12	S1693-1812-34-6	319FS067NF 1818-6
-352	TXR41AB00-1820A12	S1693-1813-34-6	319FS067NF 1820-6
-353	TXR41AB00-1814A12	S1693-1810-34-6	319FS067NF 1814-6
-354	TXR41AB00-1816A12	S1693-1811-34-6	319FS067NF 1816-6
-355	TXR41AB00-1808A12	S1693-1808-34-6	319FS067NF 1808-6
-356	TXR41AB00-1822A12	S1693-1817-34-6	319FS067NF 1822-6
-360	TXR41AB00-2014A12	S1693-2210-34-6	319FS067NF 2014-6
-361	TXR41AB00-2012A12	S1693-2209-34-6	319FS067NF 2012-6
-362	TXR41AB00-2010A12	S1693-2207-34-6	319FS067NF 2010-6
5617635-368	TXR41AB00-2208A12	S1693-2505-34-6	319FS067NF 2208-6

© 2021 TE Connectivity. All Rights Reserved.

DIMENSIONS: in		DWN MARTIN LAREZ 07JUL2021	MATERIAL SEE TABLE	FINISH -
TOLERANCES UNLESS OTHERWISE SPECIFIED:		CHK OSCAR ALVARADO 25-Aug-21	 TE Connectivity	
0 PLC ± 1 PLC ±.1 2 PLC ±.01 3 PLC ±.001 4 PLC ±.0001 ANGLES ±-		APVD OSCAR ALVARADO 25-Aug-21		
PRODUCT SPEC		NAME ADAPTER, ELEC CONN, SHIELD TERMINATING, STR		
APPLICATION SPEC		SIZE A 4	CAGE CODE 00779	DRAWING NO C-2395105-1
WEIGHT -		RESTRICTED TO -		
		CUSTOMER DRAWING		SCALE SHEET 27 ^{OF} 49 REV A 1


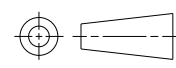
REVISIONS

P	LTR	DESCRIPTION	DATE	DWN	APVD
	-	SEE SHEET 1	-	-	-

TABLE II (CONTINUED)

NAVSEA PART MASTER	TYCO/RAYCHEM PART NUMBER	SUNBANK PART NUMBER	GLENAIR PART NUMBER
5617635-370	TXR41AB00-2212A12	S1693-2509-34-6	319AS067NF2212-6
-371	TXR41AB00-2216A12	S1693-2511-34-6	319FS067NF2216-6
-375	TXR41AB00-2222A12	S1693-2517-34-6	319FS067NF2222-6
-380	TXR41AB00-2414A12	S1693-2810-34-6	319FS067NF2414-6
-381	TXR41AB00-2416A12	S1693-2811-34-6	319FS067NF2416-6
-384	TXR41AB00-2422A12	S1693-2817-34-6	319FS067NF2422-6
-398	TXR30AB00-1206A12	S2362-1303-34	319GS067NF1306-6
-400	TXR30AB00-1208A12	S2362-1305-34	319GS067NF1308-6
-401	TXR30AB00-1210A12	S2362-1307-34	319GS067NF1310-6
-402	TXR30AB00-1212A12	S2362-1309-34	319GS067NF1312-6
-409	TXR30AB00-1408A12	S2362-1605-34	319GS067NF1508-6
-410	211M514-19B09G	S2362-1606-34	319GS067NF1509-6
-411	TXR30AB00-1412A12	S2362-1609-34	319GS067NF1512-6
-412	TXR30AB00-1410A12	S2362-1607-34	319GS067NF1510-6
-413	TXR30AB00-1414A12	S2362-1610-34	319GS067NF1514-6
-414	TXR30AB00-1416A12	S2362-1611-34	319GS067NF1516-6
-420	TXR30AB00-1610A12	S2362-1907-34	319GS067NF1710-6
-421	TXR30AB00-1616A12	S2362-1911-34	319GS067NF1716-6
-422	TXR30AB00-1614A12	S2362-1910-34	319GS067NF1714-6
-423	TXR30AB00-1612A12	S2362-1909-34	319GS067NF1712-6
-425	TXR30AB00-1622A12	S2362-1917-34	319GS067NF1722-6
-427	TXR30AB00-1810A12	S2362-2307-34	319GS067NF1910-6
-429	TXR30AB00-1812A12	S2362-2309-34	319GS067NF1912-6
-430	211M518-19B13G	S2362-2319-34	319GS067NF1913-6
-433	TXR30AB00-1816A12	S2362-2311-34	319GS067NF1916-6
-435	TXR30AB00-1820A12	S2362-2316-34	319GS067NF1920-6
-436	TXR30AB00-1822A12	S2362-2317-34	319GS067NF1922-6
-440	TXR30AB00-2216A12	S2362-2811-34	319GS067NF2316-6
-441	TXR30AB00-2220A12	S2362-2816-34	319GS067NF2320-6
-442	TXR30AB00-2212A12	S2362-2809-34	319GS067NF2312-6
-443	TXR30AB00-2214A12	S2362-2810-34	319GS067NF2314-6
-444	TXR30AB00-2416A12	S2362-2807-34	319GS067NF2310-6
-445	TXR41AB00-2222A12	S2362-2817-34	319GS067NF2322-6
-450	TXR41AB00-2408A12	S2362-5005-34	319GS067NF2508-6
-451	TXR41AB00-2416A12	S2362-5011-34	319GS067NF2516-6
-452	TXR41AB00-2412A12	S2362-5009-34	319GS067NF2512-6
-453	TXR41AB00-2414A12	S2362-5010-34	319GS067NF2514-6
5617635-454	TXR41AB00-2420A12	S2362-5016-34	319GS067NF2520-6

© 2021 TE Connectivity. All Rights Reserved.


DIMENSIONS: in		DWN MARTIN LAREZ 07JUL2021	MATERIAL SEE TABLE	FINISH -			
TOLERANCES UNLESS OTHERWISE SPECIFIED:		CHK OSCAR ALVARADO 25-Aug-21	 TE Connectivity				
0 PLC ± 1 PLC ±.1 2 PLC ±.01 3 PLC ±.001 4 PLC ±.0001 ANGLES ±-		APVD OSCAR ALVARADO 25-Aug-21					
		PRODUCT SPEC -	NAME ADAPTER, ELEC CONN, SHIELD TERMINATING, STR				
		APPLICATION SPEC -	SIZE A 4	CAGE CODE 00779	DRAWING NO C-2395105-1	RESTRICTED TO -	
		WEIGHT -	CUSTOMER DRAWING		SCALE	SHEET 28 ^{OF} 49	REV A 1

REVISIONS					
P	LTR	DESCRIPTION	DATE	DWN	APVD
	-	SEE SHEET 1	-	-	-

TABLE II (CONTINUED)

NAVSEA PART MASTER	TYCO/RAYCHEM PART NUMBER	SUNBANK PART NUMBER	GLENAIR PART NUMBER
5617635-455	TXR30AB00-2422A12	S2362-5017-34	319GS067NF2522-6
-456	TXR30AB00-2410A12	S2362-5007-34	319GS067NF2510-6
-457	211M524-19B28G	S2362-5020-34	319GS067NF2528-6
-460	TXR30AB00-2808A12	S2362-3205-34	319GS067NF2908-6
-461	TXR30AB00-2812A12	S2362-3209-34	319GS067NF2912-6
-462	TXR30AB00-2816A12	S2362-3211-34	319GS067NF2916-6
-463	TXR30AB00-2814A12	S2362-3210-34	319GS067NF2914-6
-470	TXR30AB00-3216A12	S2362-3511-34	319GS067NF3316-6
-480	TXR30AB00-1008A12	S2362-1005-34	319GS067NF1108-6
-481	TXR30AB00-1010A12	S2362-1007-34	319GS067NF1110-6
-482	TXR30AB00-1012A12	S2362-1009-34	319GS067NF1112-6
-483	TXR30AB00-1005A12	S2362-1002-34	319GS067NF1105-6
-500	TXR51AB00-0804A12	S1692-0301B-34	319ES067NF0804-6
-510	TXR51AB00-1005A12	S1692-0602B-34	319ES067NF1005-6
-520	TXR51AB00-1206A12	S1692-1003B-34	319ES067NF1206-6
-530	TXR51AB00-1408A12	S1692-1205B-34	319ES067NF1408-6
-540	TXR51AB00-1610A12	S1692-1507B-34	319ES067NF1610-6
-542	TXR51AB00-1612A12	S1692-1509B-34	319ES067NF1612-6
-550	TXR51AB00-1812A12	S1692-1809B-34	319ES067NF1812-6
-560	TXR51AB00-2012A12	S1692-2209B-34	319ES067NF2012-6
-570	TXR51AB00-2214A12	S1692-2510B-34	319ES067NF2214-6
-571	TXR51AB00-2216A12	S1692-2511B-34	319ES067NF2216-6
-580	TXR51AB00-2416A12	S1692-2811B-34	319ES067NF2416-6
-600	TXR52AB00-0804A12	S1732-0804-34BE	319ES068Z10804-6
-610	TXR52AB00-1005A12	S1732-5205-34BE	319ES068Z11005-6
-620	TXR52AB00-1206A12	S1732-5406-34BE	319ES068Z11206-6
-630	TXR52AB00-1408A12	S1732-5608-34BE	319ES068Z11408-6
-640	TXR52AB00-1610A12	S1732-5810-34BE	319ES068Z11610-6
-650	TXR52AB00-1812A12	S1732-5912-34BE	319ES068Z11812-6
-660	TXR52AB00-2014A12	S1732-6014-34BE	319ES068Z12014-6
-670	TXR52AB00-2214A12	S1732-6114-34BE	319ES068Z12214-6
-671	TXR52AB00-2216A12	S1732-6116-34BE	319ES068Z12216-6
-680	TXR52AB00-2416A12	S1732-6216-34BE	319ES068Z12416-6
-700	TXR32AB00-1207A12	S2360-1004-34-6	319CS067NF1207-6
-710	207M316-19B09G	S2360-1306-34-6	319CS067NF1409-6
-715	TXR32AB00-1610A12	S2360-1607-34-6	319CS067NF1610-6
-720	207M316-19B11G	S2360-1608-34-6	319CS067NF1611-6
5617635-730	TXR32AB00-1812A12	S2360-1909-34-6	319CS067NF1812-6

© 2021 TE Connectivity. All Rights Reserved.


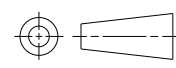
DIMENSIONS: in		DWN MARTIN LAREZ 07JUL2021	MATERIAL SEE TABLE		FINISH -		
TOLERANCES UNLESS OTHERWISE SPECIFIED:		CHK OSCAR ALVARADO 25-Aug-21	 TE Connectivity				
0 PLC ± 1 PLC ±.1 2 PLC ±.01 3 PLC ±.001 4 PLC ±.0001 ANGLES ±-		APVD OSCAR ALVARADO 25-Aug-21					
		PRODUCT SPEC -	NAME ADAPTER, ELEC CONN, SHIELD TERMINATING, STR				
		APPLICATION SPEC -	SIZE A4	CAGE CODE 00779	DRAWING NO C-2395105-1	RESTRICTED TO -	
		WEIGHT -	CUSTOMER DRAWING		SCALE	SHEET 29 ^{OF} 49	REV A1

REVISIONS					
P	LTR	DESCRIPTION	DATE	DWN	APVD
	-	SEE SHEET 1	-	-	-

TABLE II (CONTINUED)

NAVSEA PART MASTER	TYCO/RAYCHEM PART NUMBER	SUNBANK PART NUMBER	GLENAIR PART NUMBER
5617635-740	TXR32AB00-2014A12	S2360-2310-34-6	319CS067NF2014-6
-741	TXR32AB00-2010A12	S2360-2307-34-6	319CS067NF2010-6
-749	TXR32AB00-2208A12	S2360-2605-34-6	319CS067NF2208-6
-750	TXR32AB00-2216A12	S2360-2611-34-6	319CS067NF2216-6
-751	TXR32AB00-2212A12	S2360-2609-34-6	319CS067NF2212-6
-752	TXR32AB00-2214A12	S2360-2610-34-6	319CS067NF2214-6
-753	TXR32AB00-2210A12	S2360-2607-34-6	319CS067NF2210-6
-754	TXR32AB00-2408A12	S2360-3005-34-6	319CS067NF2408-6
-756	TXR32AB00-2412A12	S2360-3009-34-6	319CS067NF2412-6
-760	TXR32AB00-2416A12	S2360-3011-34-6	319CS067NF2416-6
-770	TXR32AB00-2816A12	S2360-3211-34-6	319CS067NF2816-6
-780	TXR32AB00-3216A12	S2360-3511-34-6	319CS067NF3216-6
-781	TXR32AB00-3220A12	S2360-3516-34-6	319CS067NF3220-6
-782	TXR32AB00-3218A12	S2360-3512-34-6	319CS067NF3218-6
-790	TXR32AB00-3616A12	S2360-4011-34-6	319CS067NF3616-6
-791	TXR32AB00-3622A12	S2360-4017-34-6	319CS067NF3622-6
-800	TXR18AB00B0804A12	S2352A0101-34-6	319BS067NF0304L-6
-810	TXR18AB00-1008A12	S2352A0505-34-6	319BS067NF0508A-6
-820	TXR18AB00B1205A12	S2352A0702-34-6	319BS067NF1205L-6
-830	TXR18AB00-1407A12	S2352A1004-34-6	319BS067NF1407A-6
-840	218M716-19B09G	S2352A1306-34-6	319BS067NF1509A-6
-850	218M718-19B11G	S2352A1608-34-6	319BS067NF1611A-6
-860	TXR18AB00B2012A12	S2352A1909-34-6	319BS067NF1812L-6
-870	218M722-19B15G	S2352A2315-34-6	319BS067NF2015L-6
-880	TXR18AB00-2416A12	S2352A2611-34-6	319BS067NF2116L-6
-882	TXR18AB00-2408A12	S2352A2605-34-6	319BS067NF2108A-6
-890	TXR18AB00-2814A12	S2352A3010-34-6	319BS067NF2214A-6
-891	TXR18AB00-2816A12	S2352A3011-34-6	319BS067NF2216A-6
-900	TXR18AB00B3216A12	S2352A3211-34-6	319BS067NF2416L-6
-910	TXR18AB00B3616A12	S2352A3511-34-6	319BS067NF2816L-6
-920	TXR18AB00B4016A12	S2352A4011-34-6	319BS067NF3316L-6
-1000	218M708C19B03G	S2352A0314-34-6	319BS067NF0203M-6
-1010	TXR18AB00-1004A12	S2352A0501-34-6	319BS067NF0504A-6
-1020	TXR18AB00C1206A12	S2352A0703-34-6	319BS067NF1206N-6
-1030	TXR18AB00-1406A12	S2352A1003-34-6	319BS067NF1406A-6
-1040	TXR18AB00-1608A12	S2352A1305-34-6	319BS067NF1508A-6
-1050	TXR18AB00-1810A12	S2352A1607-34-6	319BS067NF1610A-6
-1060	TXR18AB00C2012A12	S2352A1909-34-6	319BS067NF1812M-6
5617635-1070	TXR18AB00-2214A12	S2352A2310-34-6	319BS067NF2014A-6

© 2021 TE Connectivity. All Rights Reserved.


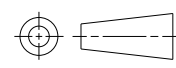
DIMENSIONS: in		DWN MARTIN LAREZ 07JUL2021	MATERIAL SEE TABLE		FINISH -
TOLERANCES UNLESS OTHERWISE SPECIFIED:		CHK OSCAR ALVARADO 25-Aug-21	 TE Connectivity		
0 PLC ± 1 PLC ±.1 2 PLC ±.01 3 PLC ±.001 4 PLC ±.0001 ANGLES ±-		APVD OSCAR ALVARADO 25-Aug-21			
		PRODUCT SPEC -	NAME ADAPTER, ELEC CONN, SHIELD TERMINATING, STR		
		APPLICATION SPEC -	SIZE A4	CAGE CODE 00779	DRAWING NO C-2395105-1
		WEIGHT -	RESTRICTED TO -		
		CUSTOMER DRAWING		SCALE	SHEET 30 ^{OF} 49 REV A1

REVISIONS					
P	LTR	DESCRIPTION	DATE	DWN	APVD
	-	SEE SHEET 1	-	-	-

TABLE II (CONTINUED)

NAVSEA PART MASTER	TYCO/RAYCHEM PART NUMBER	SUNBANK PART NUMBER	GLENAIR PART NUMBER
5617635-1100	TXR18AB00C3216A12	S2352A3211-34-6	319BS067NF2416M-6
-1110	TXR18AB00C3616A12	S2352A3711-34-6	319BS067NF2716M-6
-1120	TXR18AB00C4016A12	S2352A4111-34-6	319BS067NF3216M-6
-1200	TXR18AB00C0804A12	S2352A0301-34-6	319BS067NF0204M-6
-1220	TXR18AB00C1105A12	S2352A0602-34-6	319BS067NF0905M-6
-1230	TXR18AB00C1205A12	S2352A0702-34-6	319BS067NF1205N-6
-1400	TXR32AB00A0804A12	S2360A0201-34-6	319BS067NF0404H-6
-1420	TXR32AB00A1105A12	S2360A0702-34-6	319BS067NF1005H-6
-1460	TXR32AB00A2012A12	S2360A1909-34-6	319BS067NF1812H-6
-1500	TXR32AB0023216A12	S2360A3311-34-6	319BS067NF2516H-6
-1510	TXR32AB00A3616A12	S2360A3611-34-6	319BS067NF3016H-6
-1520	TXR32AB00A4016A12	S2360A4111-34-6	319BS067NF3216H-6
-1600	TXR32AB00-0304A12	S2359-0501-34-6	319BS067NF0504A-6-705
-1610	TXR15AB00-0405A12	S2359-0702-34-6	319BS067NF1105A-6-705
-1620	TXR15AB00-0607A12	S2359-1004-34-6	319BS067NF1407A-6-705
-1630	219M008-19B09G	S2359-1306-34-6	319BS067NF1509A-6-705
-1640	219M010-19B11G	S2359-1608-34-6	319BS067NF1611A-6-705
-1650	TXR15AB00-1214A12	S2359-2210-34-6	319BS067NF1714A-6-705
-1660	TXR15AB00-1614A12	S2359-2810-34-6	319BS067NF2114A-6-705
-1661	TXR15AB00-1616A12	S2359-2811-34-6	319BS067NF2116A-6-705
-1670	TXR15AB00-2016A12	S2359-3111-34-6	319BS067NF2316A-6-705
-1672	TXR15AB00-2012A12	S2359-3109-34-6	319BS067NF2312A-6-705
-1680	TXR15AB00-2416A12	S2359-3411-34-6	319BS067NF2616A-6-705
-1700	TXR18AB00R1105A12	S2352A0702-34-6	319BS067NF1005J-6
-1710	TXR18AB00R1206A12	S2352A0903-34-6	319BS067NF1306J-6
-1750	TXR18AB00R2012A12	S2352B2009-34-6	319BS067NF1912J-6
-1790	TXR18AB00R3216A12	S2352A3311-34-6	319BS067NF2516J-6
-1800	TXR18AB00R3616A12	S2352B3811-34-6	319BS067NF2916J-6
-1900	TXR21AB00-0808A12	S1682-0305-34E	319DS067NF0808-6
-1905	TXR21AB00-0810A12	S1682-0307-34E	319DS067NF0810-6
-1910	TXR21AB00-1006A12	S1682-0603-34E	319DS067NF1006-6
-1920	TXR21AB00-1206A12	S1682-0903-34E	319DS067NF1206-6
-1921	TXR21AB00-1208A12	S1682-0905-34E	319DS067NF1208-6
-1922	TXR21AB00-1210A12	S1682-0907-34E	319DS067NF1210-6
-1923	TXR21AB00-1212A12	S1682-0909-34E	319DS067NF1212-6
-1930	TXR21AB00-1408A12	S1682-1205-34E	319DS067NF1408-6
5617635-1931	TXR21AB00-1410A12	S1682-1207-34E	319DS067NF1410-6

© 2021 TE Connectivity. All Rights Reserved.

DIMENSIONS: in	DWN MARTIN LAREZ 07JUL2021	MATERIAL SEE TABLE	FINISH -
	CHK OSCAR ALVARADO 25-Aug-21	 TE Connectivity	
TOLERANCES UNLESS OTHERWISE SPECIFIED:	APVD OSCAR ALVARADO 25-Aug-21		
0 PLC ±	PRODUCT SPEC	SIZE	CAGE CODE
1 PLC ±.1	APPLICATION SPEC	DRAWING NO	RESTRICTED TO
2 PLC ±.01	WEIGHT	A 4	00779
3 PLC ±.001		C=2395105-1	
4 PLC ±.0001		SCALE	SHEET 31 OF 49
ANGLES ±-			REV A1
		CUSTOMER DRAWING	


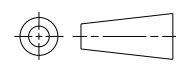
REVISIONS

P	LTR	DESCRIPTION	DATE	DWN	APVD
	-	SEE SHEET 1	-	-	-

TABLE II (CONTINUED)

NAVSEA PART MASTER	TYCO/RAYCHEM PART NUMBER	SUNBANK PART NUMBER	GLENAIR PART NUMBER
5617635-1940	TXR21AB00-1610A12	S1682-1507-34E	319DS067NF1610-6
-1949	TXR21AB00-1810A12	S1682-1807-34E	319DS067NF1810-6
-1950	TXR21AB00-1812A12	S1682-1809-34E	319DS067NF1812-6
-1960	TXR21AB00-2012A12	S1682-2209-34E	319DS067NF2012-6
-1967	TXR21AB00-2208A12	S1682-2505-34E	319DS067NF2208-6
-1970	TXR21AB00-2214A12	S1682-2510-34E	319DS067NF2214-6
-1980	TXR21AB00-2416A12	S1682-2811-34E	319DS067NF2416-6
-2050	TXR40AB00-0808A12	S2306-6404-34	319HS067NF0908-6
-2054	TXR40AB00-1010A12	S2306-6506-34	319HS067NF1110-6
-2055	TXR40AB00-0810A12	S2306-6406-34	319HS067NF0910-6
-2056	TXR40AB00-1008A12	S2306-6504-34	319HS067NF1108-6
-2057	TXR40AB00-1012A12	S2306-6508-34	319HS067NF1112-6
-2059	TXR40AB00-1216A12	S2306-6710-34	319HS067NF1316-6
-2060	TXR40AB00-1212A12	S2306-6708-34	319HS067NF1312-6
-2061	TXR40AB00-1210A12	S2306-6706-34	319HS067NF1310-6
-2070	TXR40AB00-1422A12	S2306-6917-34	319HS067NF1522-6
-2075	TXR40AB00-1416A12	S2306-6910-34	319HS067NF1516-6
-2078	TXR40AB00-1408A12	S2306-6904-34	319HS067NF1508-6
-2079	TXR40AB00-1410A12	S2306-6906-34	319HS067NF1510-6
-2080	TXR40AB00-1412A12	S2306-6908-34	319HS067NF1512-6
-2081	TXR40AB00-1208A12	S2306-6704-34	319HS067NF1308-6
-2088	TXR40AB00-1608A12	S2306-7004-34	319HS067NF1708-6
-2090	TXR40AB00-1610A12	S2306-7006-34	319HS067NF1710-6
-2091	TXR40AB00-1612A12	S2306-7008-34	319HS067NF1712-6
-2092	TXR40AB00-1622A12	S2306-7017-34	319HS067NF1722-6
-2093	TXR40AB00-1616A12	S2306-7010-34	319HS067NF1716-6
-2098	TXR40AB00-1812A12	S2306-7108-34	319HS067NF1912-6
-2099	TXR40AB00-1810A12	S2306-7106-34	319HS067NF1910-6
-2100	TXR40AB00-1818A12	S2306-7111-34	319HS067NF1918-6
-2101	TXR40AB00-1820A12	S2306-7113-34	319HS067NF1920-6
-2107	TXR40AB00-1822A12	S2306-7117-34	319HS067NF1922-6
-2109	TXR40AB00-2008A12	S2306-7204-34	319HS067NF2108-6
-2110	TXR40AB00-2012A12	S2306-7208-34	319HS067NF2112-6
-2111	TXR40AB00-2010A12	S2306-7206-34	319HS067NF2110-6
-2112	TXR40AB00-2014A12	S2306-7209-34	319HS067NF2114-6
-2113	TXR40AB00-2016A12	S2306-7210-34	319HS067NF2116-6
-2116	TXR40AB00-2022A12	S2306-7217-34	319HS067NF2122-6
5617635-2118	TXR40AB00-2208A12	S2306-7404-34	319HS067NF2308-6

© 2021 TE Connectivity. All Rights Reserved.


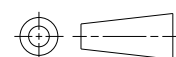
DIMENSIONS: in		DWN MARTIN LAREZ 07JUL2021	MATERIAL SEE TABLE	FINISH -
TOLERANCES UNLESS OTHERWISE SPECIFIED:		CHK OSCAR ALVARADO 25-Aug-21	 TE Connectivity	
0 PLC ±		APVD OSCAR ALVARADO 25-Aug-21		
1 PLC ±.1		PRODUCT SPEC -		
2 PLC ±.01		APPLICATION SPEC -		
3 PLC ±.001		NAME ADAPTER, ELEC CONN, SHIELD TERMINATING, STR	SIZE A4	CAGE CODE 00779
4 PLC ±.0001		WEIGHT -	DRAWING NO C-2395105-1	RESTRICTED TO -
ANGLES ±-		CUSTOMER DRAWING		SCALE
		SHEET 32 ^{OF} 49		REV A1

REVISIONS					
P	LTR	DESCRIPTION	DATE	DWN	APVD
	-	SEE SHEET 1	-	-	-

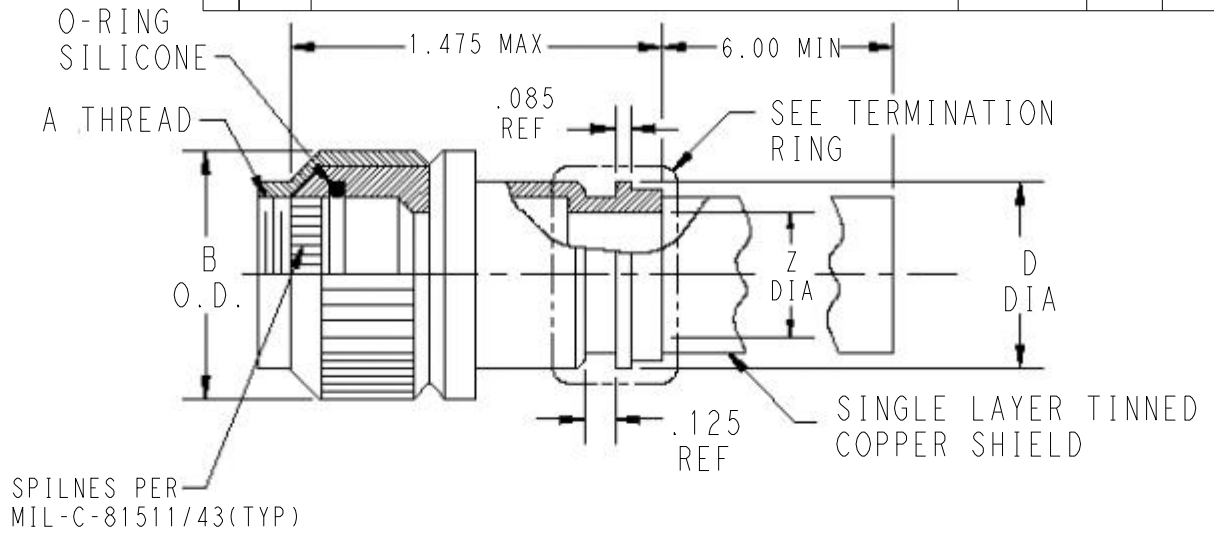
TABLE II (CONTINUED)

NAVSEA PART MASTER	TYCO/RAYCHEM PART NUMBER	SUNBANK PART NUMBER	GLENAIR PART NUMBER
5617635-2119	TXR40AB00-2210A12	S2306-7406-34	319HS067NF2310-6
-2120	TXR40AB00-2212A12	S2306-7408-34	319HS067NF2312-6
-2121	TXR40AB00-2214A12	S2306-7409-34	319HS067NF2314-6
-2123	TXR40AB00-2218A12	S2306-7411-34	319HS067NF2318-6
-2125	TXR40AB00-2222A12	S2306-7417-34	319HS067NF2322-6
-2128	TXR40AB00-2406A12	S2306-7702-34	319HS067NF2506-6
-2129	TXR40AB00-2408A12	S2306-7704-34	319HS067NF2508-6
-2130	TXR40AB00-2414A12	S2306-7709-34	319HS067NF2514-6
-2131	TXR40AB00-2410A12	S2306-7706-34	319HS067NF2510-6
-2132	TXR40AB00-2412A12	S2306-7708-34	319HS067NF2512-6
-2133	TXR40AB00-2416A12	S2306-7710-34	319HS067NF2516-6
5617635-2134	TXR40AB00-2422A12	S2306-7717-34	319HS067NF2522-6

© 2021 TE Connectivity. All Rights Reserved.

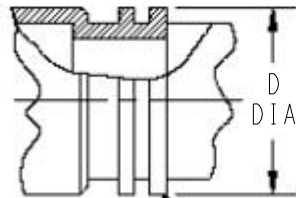
DIMENSIONS: in	DWN MARTIN LAREZ	07JUL2021	MATERIAL	SEE TABLE	FINISH	-
	CHK OSCAR ALVARADO	25-Aug-21				
TOLERANCES UNLESS OTHERWISE SPECIFIED:	APVD OSCAR ALVARADO	25-Aug-21				
	0 PLC ±	PRODUCT SPEC	NAME ADAPTER, ELEC CONN, SHIELD TERMINATING, STR			
1 PLC ±.1	APPLICATION SPEC	SIZE				RESTRICTED TO
2 PLC ±.01		CAGE CODE				
3 PLC ±.001	WEIGHT	DRAWING NO				
4 PLC ±.0001		A 4 00779 C-2395105-1				
ANGLES ±-	CUSTOMER DRAWING				SCALE	SHEET 33 ^{OF} 49
					REV	A 1

REVISIONS					
P	LTR	DESCRIPTION	DATE	DWN	APVD
-		SEE SHEET 1	-	-	-



NOTES:

- FOR USE WITH MIL-C-81511, SERIES 1, 2, 3 AND 4 CONNECTORS.
- CONFIGURATION FOR BACKSHELL END SHOWN ABOVE, CONFIGURATION FOR CONNECTOR END SHOWN ON FIGURE 1 (T2).



BRAID TERMINATION RING MAY BE SUPPLIED AS SHAPE MEMORI RING AT MANUFACTURE'S OPTION

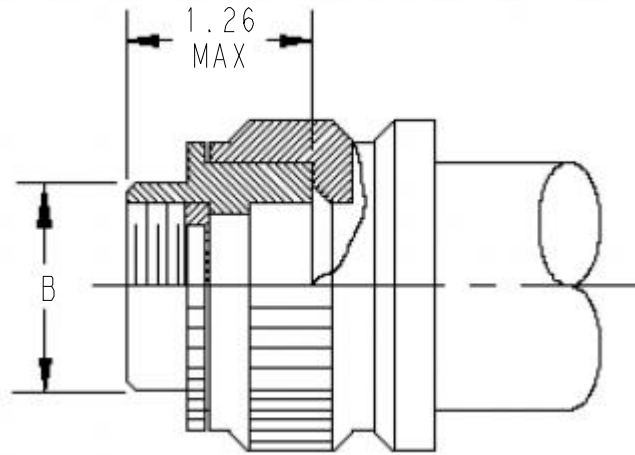
TERMINATION RING

FIGURE 1

© 2021 TE Connectivity. All Rights Reserved.

DIMENSIONS: in	DWN MARTIN LAREZ	07JUL2021	MATERIAL	SEE TABLE	FINISH	-
	CHK OSCAR ALVARADO	25-Aug-21				
TOLERANCES UNLESS OTHERWISE SPECIFIED:	APVD OSCAR ALVARADO	25-Aug-21				
0 PLC ±	PRODUCT SPEC	-	NAME ADAPTER, ELEC CONN, SHIELD TERMINATING, STR			
1 PLC ±.1	APPLICATION SPEC	-	SIZE	CAGE CODE	DRAWING NO	RESTRICTED TO
2 PLC ±.01			A 4	00779	©-2395105-1	-
3 PLC ±.001	WEIGHT	-	CUSTOMER DRAWING			
4 PLC ±.0001			SCALE	SHEET	34 OF 49	REV A 1
ANGLES ±-						

REVISIONS					
P	LTR	DESCRIPTION	DATE	DWN	APVD
	-	SEE SHEET 1	-	-	-



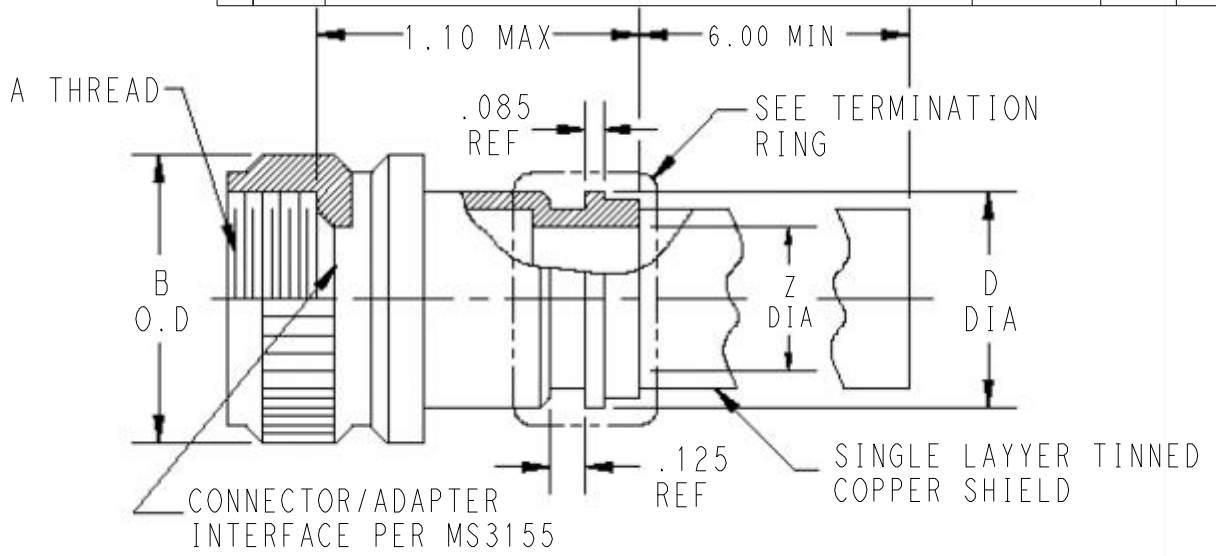
TYPE II-OPTIONAL EXTENDED ASSEMBLY
 TWO PIECE ADAPTER SUPPLIED WHEN ENTRY
 SIZE EXCEEDS CONNECTOR INSERT DIA.

FIGURE 1 (T2)

© 2021 TE Connectivity. All Rights Reserved.

DIMENSIONS: in	DWN MARTIN LAREZ	07JUL2021	MATERIAL	SEE TABLE	FINISH	-
	CHK OSCAR ALVARADO	25-Aug-21				
TOLERANCES UNLESS OTHERWISE SPECIFIED:	APVD OSCAR ALVARADO	25-Aug-21				
0 PLC ±	PRODUCT SPEC	-	NAME ADAPTER, ELEC CONN, SHIELD TERMINATING, STR			
1 PLC ±.1	APPLICATION SPEC	-	SIZE	CAGE CODE	DRAWING NO	RESTRICTED TO
2 PLC ±.01	WEIGHT	-	A 4	00779	C=2395105-1	-
3 PLC ±.001			CUSTOMER DRAWING			
4 PLC ±.0001			SCALE	SHEET	35 ^{OF} 49	REV A 1
ANGLES ±-						

REVISIONS					
P	LTR	DESCRIPTION	DATE	DWN	APVD
	-	SEE SHEET 1	-	-	-



NOTES:

- FOR USE WITH MIL-C-5015, CLASS D, L, U, & W, CRIMP CONTACT CONNECTORS ONLY, MS3401, MS3404, MS3406, MS3450, MS3451, MS3454 & MS3456, MIL-C-26482, SERIES 2, CLASS A & L, MS3470, MS3471, MS3472, MS3474, MS3475 & MS3476, MIL-C-83723, SERIES I, CLASS A, G, & R, M83723/1, /2, /3, /4, /5, /6, /7, /8, /13, /14, /42, & /43, MIL-C-83723, SERIES III, CLASS A, G, K, R, & S, M83723/71, /72, /73, /74, /75, /76, /77, /78, /82, /83, /84, /85, /86, /87, /95, & /96. NAS1599, CLASS G & R, NAS1641, 1642, 1643, 1650, 1651, 1652, 1653, 1692, 1693, 1694, 1699, 1700, 1701, & 1702.
- CONFIGURATION FOR BACKSHELL END SHOWN ABOVE, CONFIGURATION FOR CONNECTOR END SHOWN ON FIGURE 2 (T2).

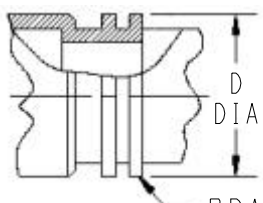


FIGURE 2

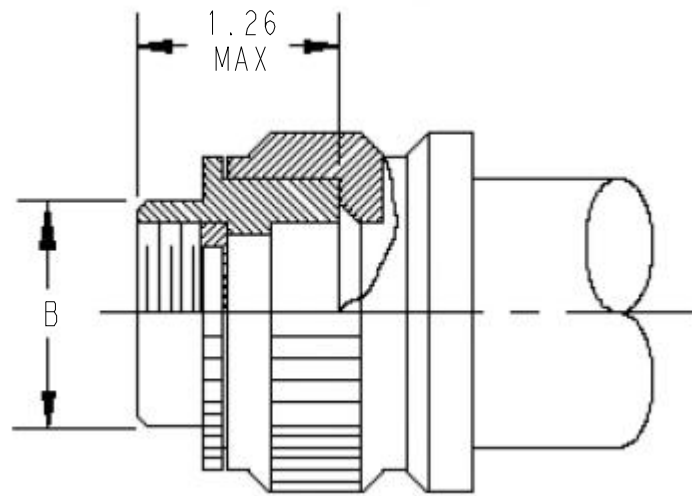
BRAID TERMINATION RING MAY BE SUPPLIED AS SHAPE MEMORY RING AT MANUFACTURE'S OPTION

TERMINATION RING

© 2021 TE Connectivity. All Rights Reserved.

DIMENSIONS: in	DWN MARTIN LAREZ	07JUL2021	MATERIAL	SEE TABLE	FINISH	-
	CHK OSCAR ALVARADO	25-Aug-21	TE TE Connectivity			
TOLERANCES UNLESS OTHERWISE SPECIFIED:	APVD OSCAR ALVARADO	25-Aug-21				
0 PLC ±	PRODUCT SPEC	-	NAME ADAPTER, ELEC CONN, SHIELD TERMINATING, STR			
1 PLC ±.1	APPLICATION SPEC	-				
2 PLC ±.01	WEIGHT	-	SIZE	CAGE CODE	DRAWING NO	RESTRICTED TO
3 PLC ±.001			A 4	00779	©=2395105-1	-
4 PLC ±.0001			SCALE			
ANGLES ±-						
			CUSTOMER DRAWING		SHEET	36 OF 49
					REV	A 1

REVISIONS					
P	LTR	DESCRIPTION	DATE	DWN	APVD
	-	SEE SHEET 1	-	-	-




TYPE II-OPTIONAL EXTENDED ASSEMBLY
 TWO PIECE ADAPTER SUPPLIED WHEN ENTRY
 SIZE EXCEEDS CONNECTOR INSERT DIA.

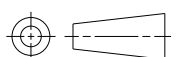
FIGURE 2 (T2)

NOTE: FIGURE SHOWN ABOVE HAS SAME DIMENSIONS AS FIGURE 2,
 EXCEPT WHERE NOTED.

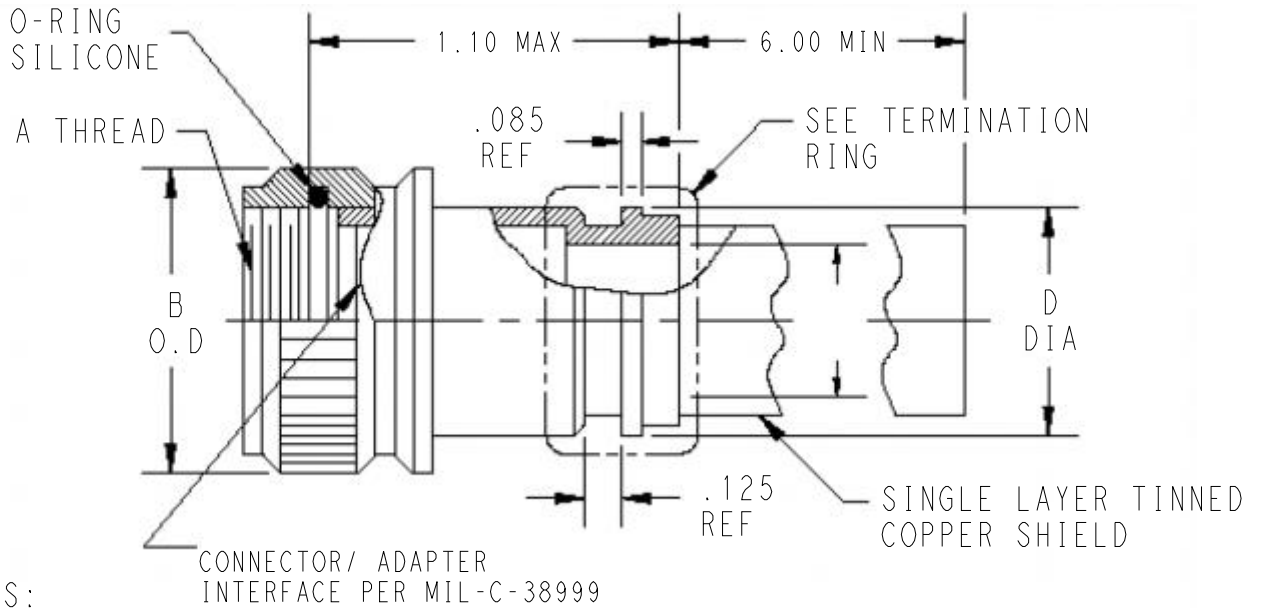
CONNECTOR ADAPTER INTERFACE PER FIGURE 2.

© 2021 TE Connectivity. All Rights Reserved.

DIMENSIONS: in	DWN MARTIN LAREZ	07JUL2021	MATERIAL	SEE TABLE	FINISH	-
	CHK OSCAR ALVARADO	25-Aug-21				
TOLERANCES UNLESS OTHERWISE SPECIFIED:	APVD OSCAR ALVARADO	25-Aug-21				
0 PLC ±	PRODUCT SPEC	-	NAME ADAPTER, ELEC CONN, SHIELD TERMINATING, STR			
1 PLC ±.1	APPLICATION SPEC	-	SIZE	CAGE CODE	DRAWING NO	RESTRICTED TO
2 PLC ±.01	WEIGHT	-	A 4	00779	©=2395105-1	-
3 PLC ±.001			CUSTOMER DRAWING			
4 PLC ±.0001			SCALE	SHEET	37 ^{OF} 49	REV A 1
ANGLES ±-						

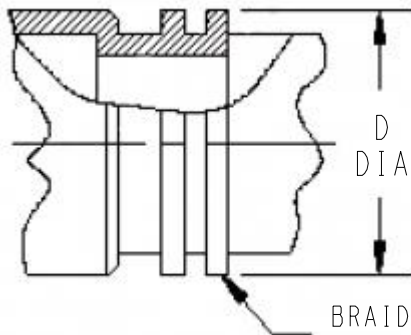


REVISIONS					
P	LTR	DESCRIPTION	DATE	DWN	APVD
-		SEE SHEET 1	-	-	-



NOTES:

- FOR USE WITH MIL-C-38999, SERIES I & II, CLASS E, P, & T, MS27466, MS27467, MS27468, MS27472, MS27473, MS27474, MS27479, MS27480, MS27481, MS27484, MS27497, MS27652, MS27653, & MS27656.
- CONFIGURATION FOR BACKSHELL END SHOWN ABOVE, CONFIGURATION FOR CONNECTOR END SHOWN ON FIGURE 3 (T2).



BRAID TERMINATION RING MAY BE SUPPLIED AS SHAPE MEMORY RING AT MANUFACTURE'S OPTION

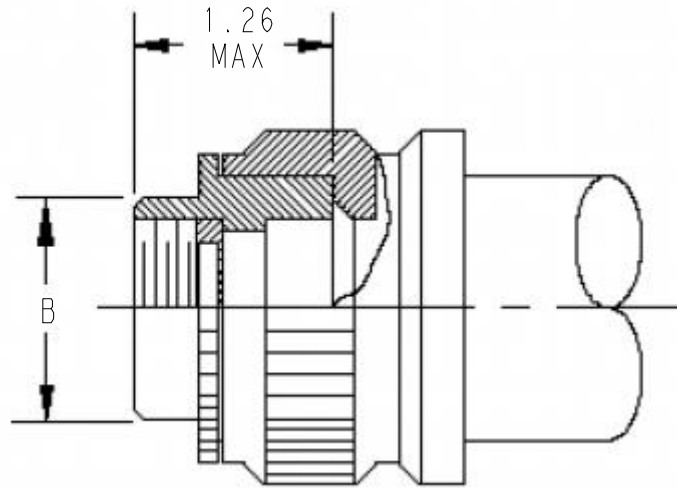
TERMINATION RING

FIGURE 3

© 2021 TE Connectivity. All Rights Reserved.

DIMENSIONS: in	DWN MARTIN LAREZ	07JUL2021	MATERIAL	SEE TABLE	FINISH	-
	CHK OSCAR ALVARADO	25-Aug-21				
TOLERANCES UNLESS OTHERWISE SPECIFIED:	APVD OSCAR ALVARADO	25-Aug-21				
0 PLC ±	PRODUCT SPEC	-	NAME ADAPTER, ELEC CONN, SHIELD TERMINATING, STR			
1 PLC ±.1	APPLICATION SPEC	-	SIZE	CAGE CODE	DRAWING NO	RESTRICTED TO
2 PLC ±.01			A 4	00779	©-2395105-1	-
3 PLC ±.001			WEIGHT			
4 PLC ±.0001			-			
ANGLES ±-			CUSTOMER DRAWING			
			SCALE	SHEET	38 OF 49	REV A 1

REVISIONS					
P	LTR	DESCRIPTION	DATE	DWN	APVD
	-	SEE SHEET 1	-	-	-



TYPE II-OPTIONAL EXTENDED ASSEMBLY
 TWO PIECE ADAPTER SUPPLIED WHEN ENTRY
 SIZE EXCEEDS CONNECTOR INSERT DIA.

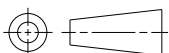
FIGURE 3 (T2)

NOTE: FIGURE SHOWN ABOVE HAS SAME DIMENSIONS AS FIGURE 2,
 EXCEPT WHERE NOTED.

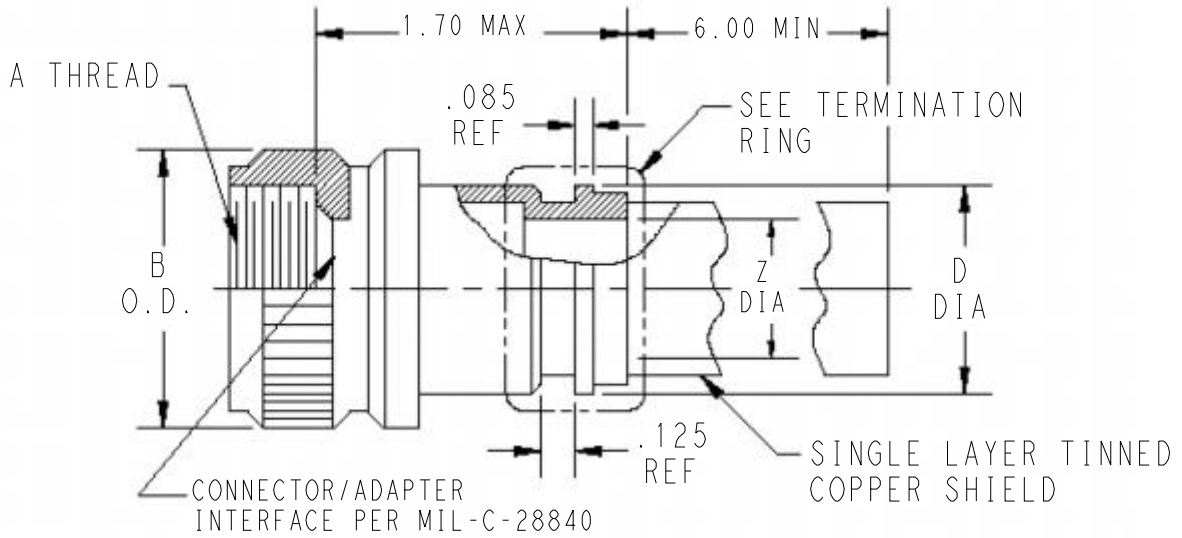
CONNECTOR ADAPTER INTERFACE PER FIGURE 3.

© 2021 TE Connectivity. All Rights Reserved.

DIMENSIONS: in	DWN MARTIN LAREZ	07JUL2021	MATERIAL	SEE TABLE	FINISH	-
	CHK OSCAR ALVARADO	25-Aug-21				
TOLERANCES UNLESS OTHERWISE SPECIFIED:	APVD OSCAR ALVARADO	25-Aug-21				
0 PLC ±	PRODUCT SPEC	-	NAME ADAPTER, ELEC CONN, SHIELD TERMINATING, STR			
1 PLC ±.1	APPLICATION SPEC	-	SIZE	CAGE CODE	DRAWING NO	RESTRICTED TO
2 PLC ±.01	WEIGHT	-	A 4	00779	©=2395105-1	-
3 PLC ±.001			CUSTOMER DRAWING			
4 PLC ±.0001			SCALE	SHEET	39 ^{OF} 49	REV A 1
ANGLES ±-						

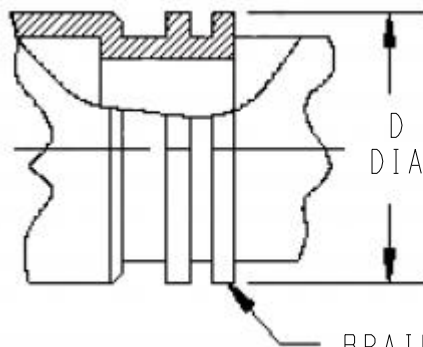


REVISIONS				
P	LTR	DESCRIPTION	DATE	APVD
-		SEE SHEET 1	-	-



NOTES:

- FOR USE WITH MIL-C-28840, CLASS D, M28840/10, /11, /14, AND /16 CONNECTORS.
- CONFIGURATION FOR BACKSHELL END SHOWN ABOVE, CONFIGURATION FOR CONNECTOR END SHOWN ON FIGURE 4 (T2).



BRAID TERMINATION RING MAY BE SUPPLIED AS SHAPE MEMORY RING AT MANUFACTURE'S OPTION

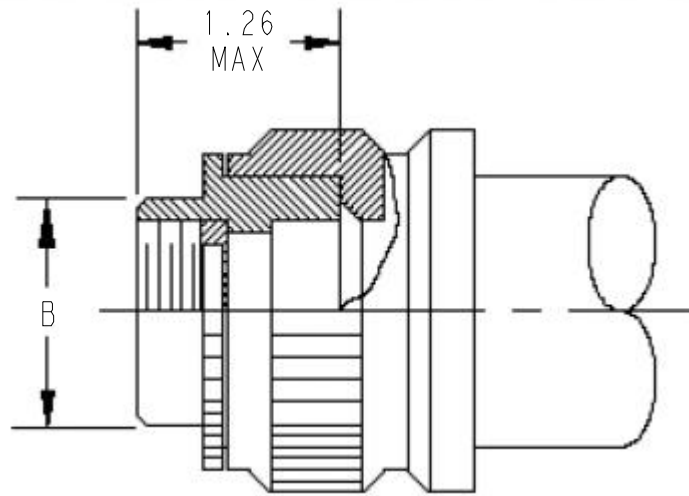
TERMINATION RING

FIGURE 4

© 2021 TE Connectivity. All Rights Reserved.

DIMENSIONS: in	DWN MARTIN LAREZ	07JUL2021	MATERIAL	SEE TABLE	FINISH	-
	CHK OSCAR ALVARADO	25-Aug-21				
TOLERANCES UNLESS OTHERWISE SPECIFIED:	APVD OSCAR ALVARADO	25-Aug-21				
0 PLC ±	PRODUCT SPEC	-	NAME ADAPTER, ELEC CONN, SHIELD TERMINATING, STR			
1 PLC ±.1	APPLICATION SPEC	-				
2 PLC ±.01	WEIGHT	-	SIZE	CAGE CODE	DRAWING NO	RESTRICTED TO
3 PLC ±.001			A 4	00779	©-2395105-1	-
4 PLC ±.0001			CUSTOMER DRAWING		SCALE	SHEET 40 OF 49
ANGLES ±-						REV A 1

REVISIONS					
P	LTR	DESCRIPTION	DATE	DWN	APVD
	-	SEE SHEET 1	-	-	-



TYPE II-OPTIONAL EXTENDED ASSEMBLY
 TWO PIECE ADAPTER SUPPLIED WHEN ENTRY
 SIZE EXCEEDS CONNECTOR INSERT DIA.

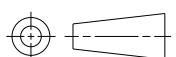
FIGURE 4 (T2)

NOTE: FIGURE SHOWN ABOVE HAS SAME DIMENSIONS AS FIGURE 2,
 EXCEPT WHERE NOTED.

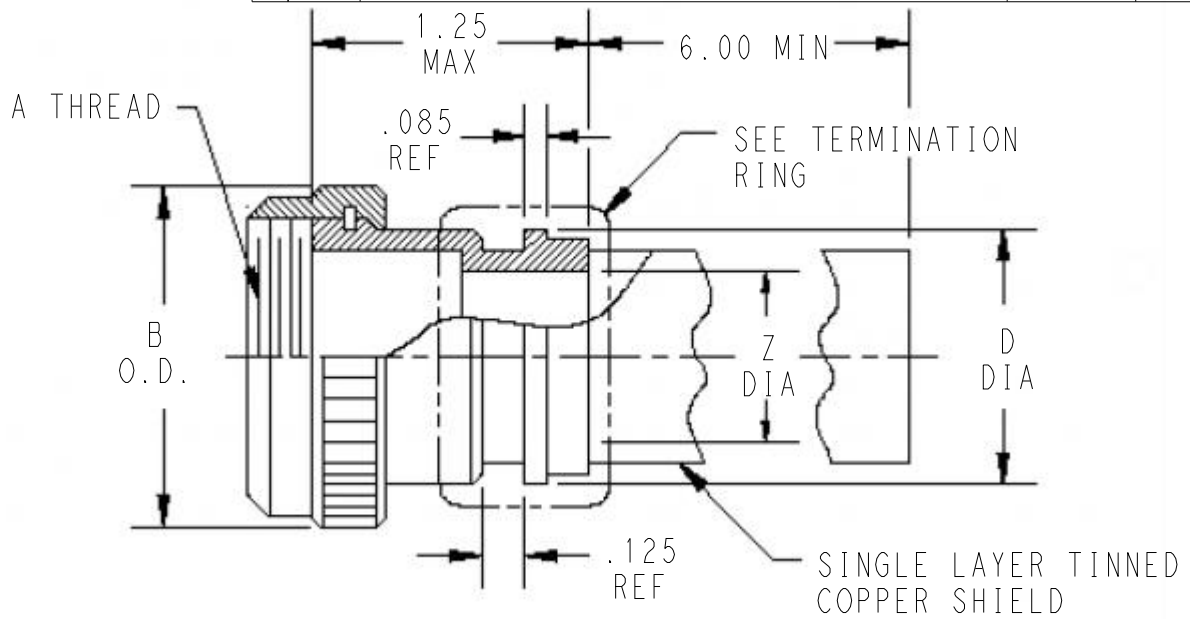
CONNECTOR ADAPTER INTERFACE PER FIGURE 4.

© 2021 TE Connectivity. All Rights Reserved.

DIMENSIONS: in	DWN MARTIN LAREZ	07JUL2021	MATERIAL	SEE TABLE	FINISH	-		
	CHK OSCAR ALVARADO	25-Aug-21						
TOLERANCES UNLESS OTHERWISE SPECIFIED:	APVD OSCAR ALVARADO	25-Aug-21						
	0 PLC ±	PRODUCT SPEC	NAME ADAPTER, ELEC CONN, SHIELD TERMINATING, STR					
1 PLC ±.1	APPLICATION SPEC	SIZE				CAGE CODE	DRAWING NO	RESTRICTED TO
2 PLC ±.01		A 4				00779	©=2395105-1	-
3 PLC ±.001		WEIGHT				CUSTOMER DRAWING		
4 PLC ±.0001						SCALE	SHEET	41 OF 49
ANGLES ±-						REV A 1		

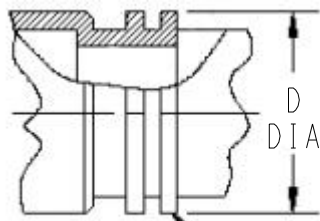


REVISIONS					
P	LTR	DESCRIPTION	DATE	DWN	APVD
-		SEE SHEET 1	-	-	-



NOTES:

- FOR USE WITH MIL-C-26500 (ALUMINUM SHELL) AND MIL-C-38300 CONNECTORS.



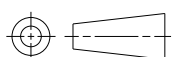
BRAID TERMINATION RING MAY BE SUPPLIED AS SHAPE MEMORY RING AT MANUFACTURE'S OPTION

TERMINATION RING

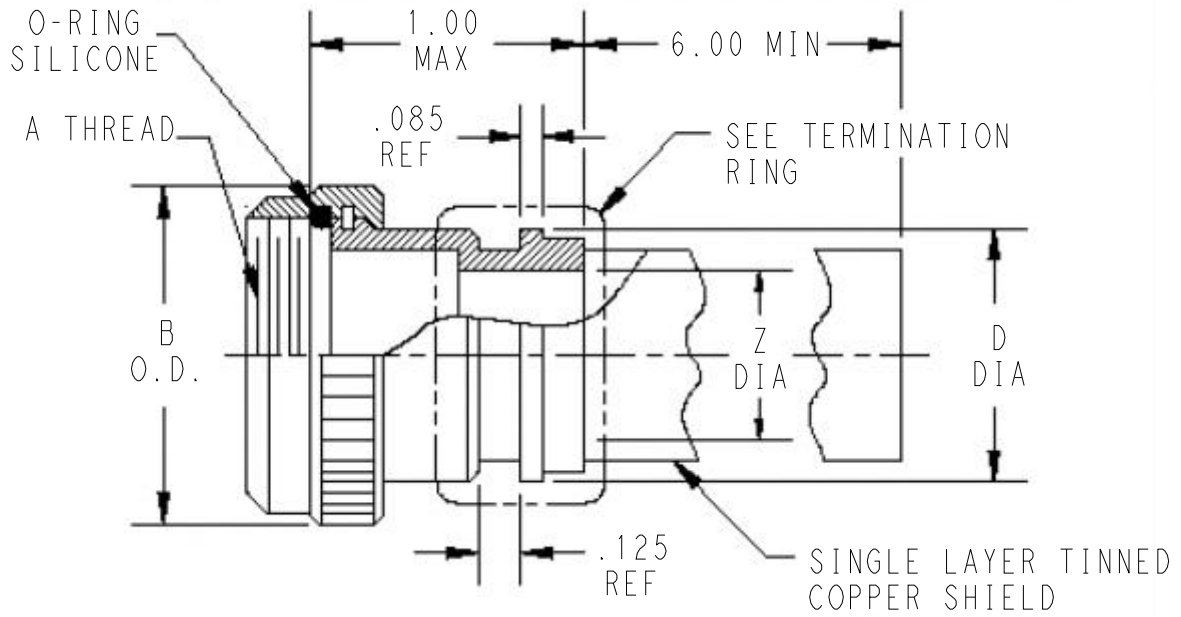
FIGURE 5

© 2021 TE Connectivity. All Rights Reserved.

DIMENSIONS: in	DWN MARTIN LAREZ	07JUL2021	MATERIAL	SEE TABLE	FINISH	-
	CHK OSCAR ALVARADO	25-Aug-21				
TOLERANCES UNLESS OTHERWISE SPECIFIED:	APVD OSCAR ALVARADO	25-Aug-21				
0 PLC ±	PRODUCT SPEC	-	NAME ADAPTER, ELEC CONN, SHIELD TERMINATING, STR			
1 PLC ±.1	APPLICATION SPEC	-				
2 PLC ±.01	WEIGHT	-	SIZE	CAGE CODE	DRAWING NO	RESTRICTED TO
3 PLC ±.001			A 4	00779	©=2395105-1	-
4 PLC ±.0001			CUSTOMER DRAWING		SCALE	SHEET 42 OF 49
ANGLES ±-						REV A1

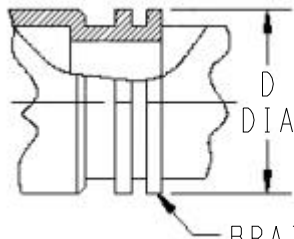


REVISIONS					
P	LTR	DESCRIPTION	DATE	DWN	APVD
-		SEE SHEET 1	-	-	-



NOTES:

- FOR USE WITH MIL-C-26500, CLASS E STAINLESS STEEL CONNECTORS.




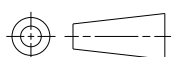
BRAID TERMINATION RING MAY BE SUPPLIED AS SHAPE MEMORY RING AT MANUFACTURE'S OPTION

TERMINATION RING

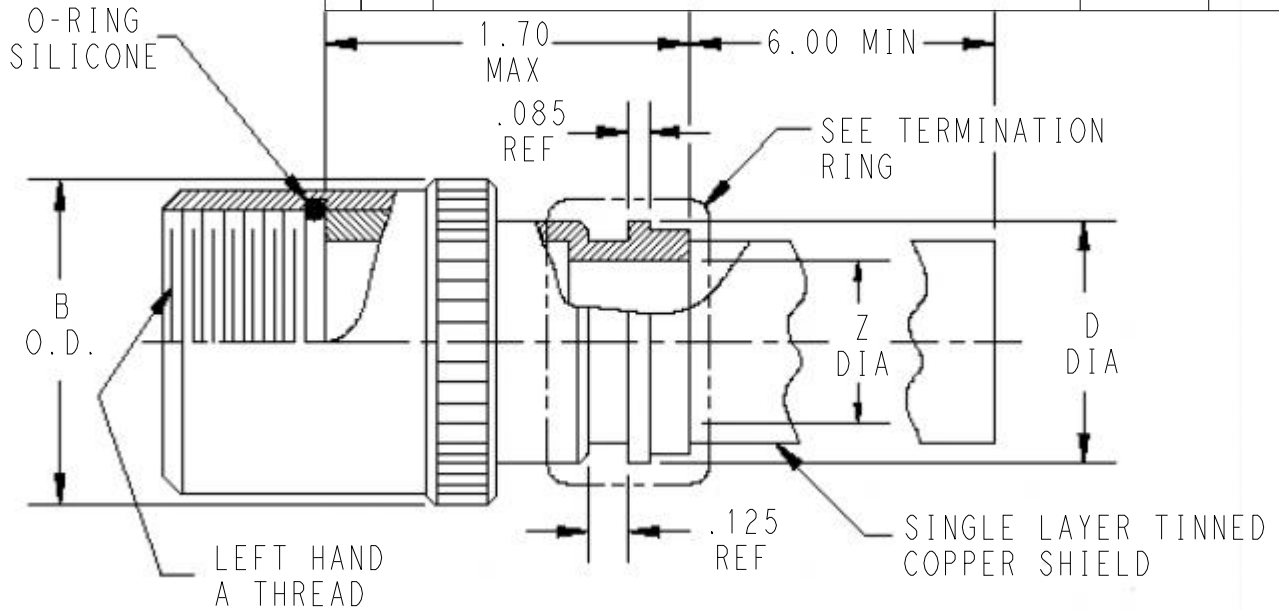
FIGURE 6

© 2021 TE Connectivity. All Rights Reserved.

DIMENSIONS: in	DWN MARTIN LAREZ 07JUL2021	MATERIAL SEE TABLE	FINISH -			
	CHK OSCAR ALVARADO 25-Aug-21	 TE Connectivity				
TOLERANCES UNLESS OTHERWISE SPECIFIED:	APVD OSCAR ALVARADO 25-Aug-21			NAME ADAPTER, ELEC CONN, SHIELD TERMINATING, STR		
	PRODUCT SPEC	SIZE A 4	CAGE CODE 00779	DRAWING NO C=2395105-1	RESTRICTED TO -	
0 PLC ±	APPLICATION SPEC	WEIGHT	CUSTOMER DRAWING	SCALE	SHEET 43 OF 49	REV A 1
1 PLC ±.1						
2 PLC ±.01						
3 PLC ±.001						
4 PLC ±.0001						
ANGLES ±-						

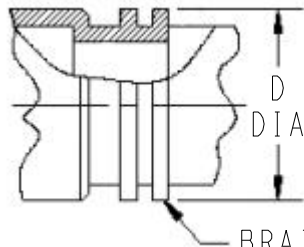


REVISIONS				
P	LTR	DESCRIPTION	DATE	APVD
-		SEE SHEET 1	-	-



NOTES:

- FOR USE WITH MIL-C-22992 (BENDIX QWLD & CANNON CWLD).



BRAID TERMINATION RING MAY BE SUPPLIED AS SHAPE MEMORY RING AT MANUFACTURE'S OPTION

TERMINATION RING

FIGURE 7

© 2021 TE Connectivity. All Rights Reserved.

DIMENSIONS: in	DWN MARTIN LAREZ	07JUL2021	MATERIAL	SEE TABLE	FINISH	-		
	CHK OSCAR ALVARADO	25-Aug-21						
TOLERANCES UNLESS OTHERWISE SPECIFIED:	APVD OSCAR ALVARADO	25-Aug-21						
0 PLC ±	PRODUCT SPEC	-	NAME ADAPTER, ELEC CONN, SHIELD TERMINATING, STR					
1 PLC ±.1	APPLICATION SPEC	-						
2 PLC ±.01	WEIGHT	-	SIZE	A 4	CAGE CODE	00779		
3 PLC ±.001		CUSTOMER DRAWING	DRAWING NO	C=2395105-1		RESTRICTED TO	-	
4 PLC ±.0001								
ANGLES ±-			SCALE	SHEET		44 OF 49	REV	A 1

REVISIONS					
P	LTR	DESCRIPTION	DATE	DWN	APVD
-		SEE SHEET 1	-	-	-

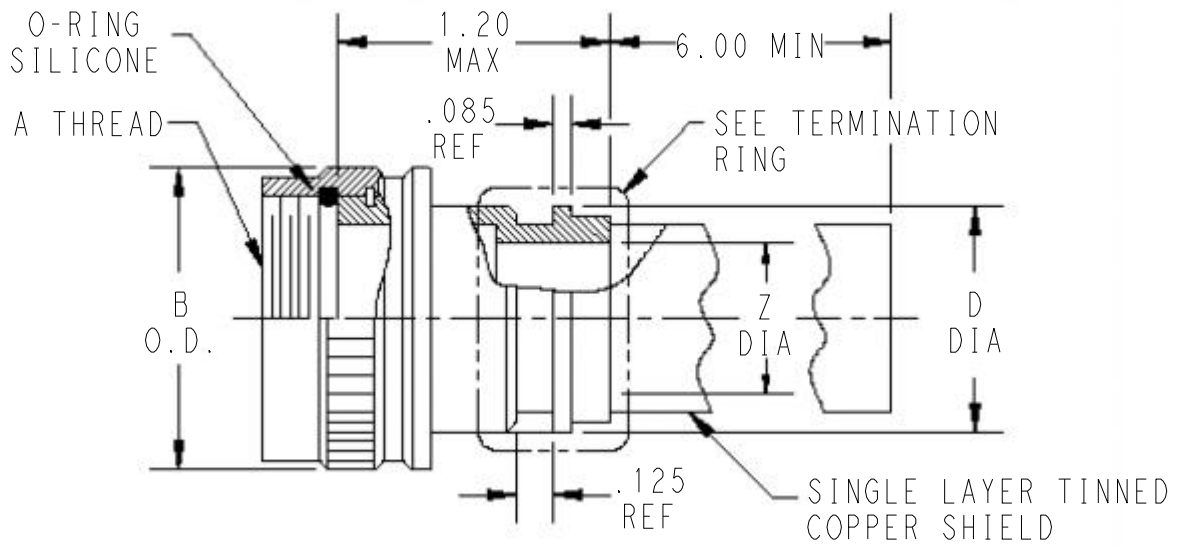
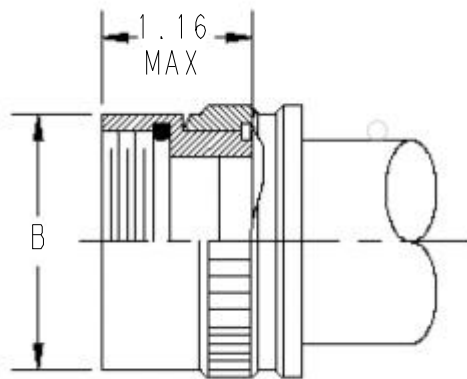


FIGURE 8



TYPE II-OPTIONAL ASSEMBLY.

TWO PIECE ADAPTER SUPPLIED WHEN ENTRY SIZE EXCEEDS CONNECTOR INSERT DIA.

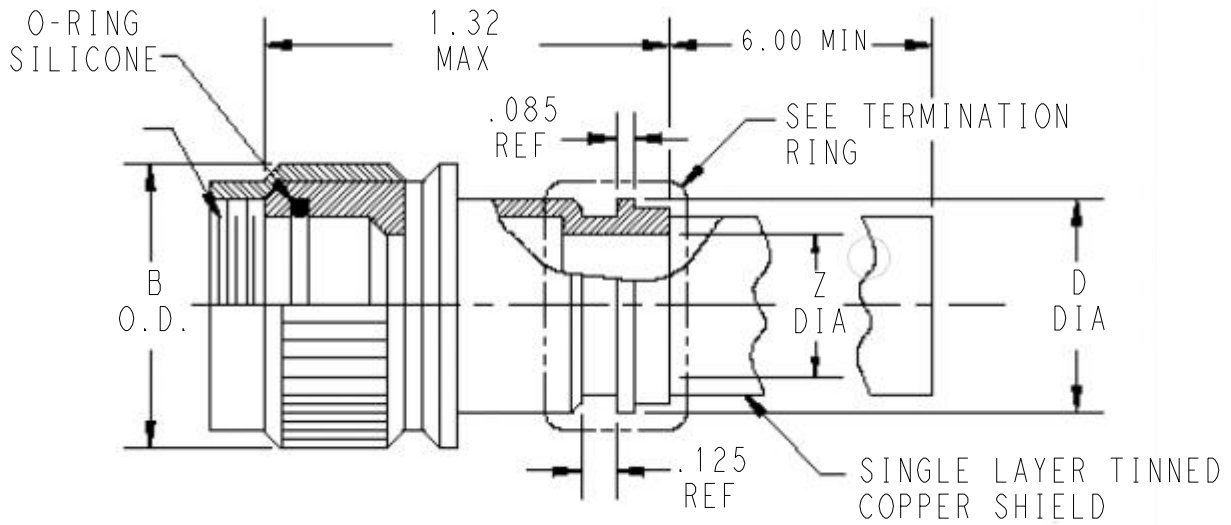
FIGURE 8 (T2)

NOTE: FIGURE SHOWN ABOVE HAS SAME DIMENSIONS AS FIGURE 2, EXCEPT WHERE NOTED. CONNECTOR ADAPTER INTERFACE PER FIGURE 8.

© 2021 TE Connectivity. All Rights Reserved.

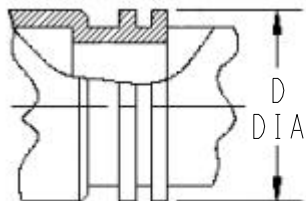
DIMENSIONS: in	DWN MARTIN LAREZ	07JUL2021	MATERIAL	SEE TABLE	FINISH	-
	CHK OSCAR ALVARADO	25-Aug-21				
TOLERANCES UNLESS OTHERWISE SPECIFIED:	APVD OSCAR ALVARADO	25-Aug-21				
0 PLC ±	PRODUCT SPEC	-	NAME ADAPTER, ELEC CONN, SHIELD TERMINATING, STR			
1 PLC ±.1	APPLICATION SPEC	-	SIZE	CAGE CODE	DRAWING NO	RESTRICTED TO
2 PLC ±.01			A 4	00779	©=2395105-1	-
3 PLC ±.001	WEIGHT	-	CUSTOMER DRAWING			
4 PLC ±.0001			SCALE	SHEET	45 ^{OF} 49	REV A 1
ANGLES ±-						

REVISIONS					
P	LTR	DESCRIPTION	DATE	DWN	APVD
	-	SEE SHEET 1	-	-	-



NOTES:

1. FOR USE WITH MIL-C-26482, MS3110, 3116, 3120, 3126 AND 3128 CONNECTORS. (SERIES 1)
2. CONFIGURATION FOR BACKSHELL END SHOWN ABOVE, CONFIGURATION FOR CONNECTOR END SHOWN ON FIGURE 9 (T2).
3. THREE SETSCREW HOLES, 120 DEGREES APART ON THE COUPLING RING AND ONE SETSCREW MAY BE SUPPLIED AT THE MANUFACTURES OPTION.



BRAID TERMINATION RING MAY BE SUPPLIED AS SHAPE MEMORY RING AT MANUFACTURE'S OPTION

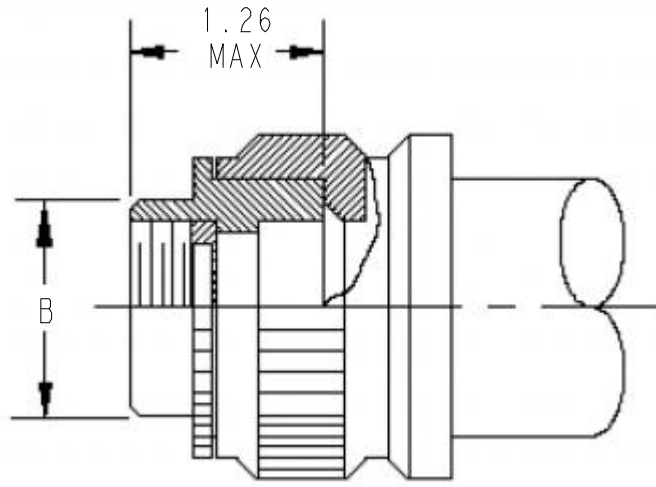
TERMINATION RING

FIGURE 9

© 2021 TE Connectivity. All Rights Reserved.

DIMENSIONS: in	DWN MARTIN LAREZ	07JUL2021	MATERIAL	SEE TABLE	FINISH	-
	CHK OSCAR ALVARADO	25-Aug-21				
TOLERANCES UNLESS OTHERWISE SPECIFIED:	APVD OSCAR ALVARADO	25-Aug-21				
0 PLC ±	PRODUCT SPEC	-	NAME ADAPTER, ELEC CONN, SHIELD TERMINATING, STR			
1 PLC ±.1	APPLICATION SPEC	-				
2 PLC ±.01	WEIGHT	-	SIZE	CAGE CODE	DRAWING NO	RESTRICTED TO
3 PLC ±.001			A 4	00779	©=2395105-1	-
4 PLC ±.0001			CUSTOMER DRAWING		SCALE	SHEET 46 OF 49
ANGLES ±-						REV A1

REVISIONS					
P	LTR	DESCRIPTION	DATE	DWN	APVD
	-	SEE SHEET 1	-	-	-



TYPE II-OPTIONAL EXTENDED ASSEMBLY
 TWO PIECE ADAPTER SUPPLIED WHEN ENTRY
 SIZE EXCEEDS CONNECTOR INSERT DIA.

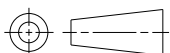
FIGURE 9 (T2)

NOTE: FIGURE SHOWN ABOVE HAS SAME DIMENSIONS AS FIGURE 2,
 EXCEPT WHERE NOTED.

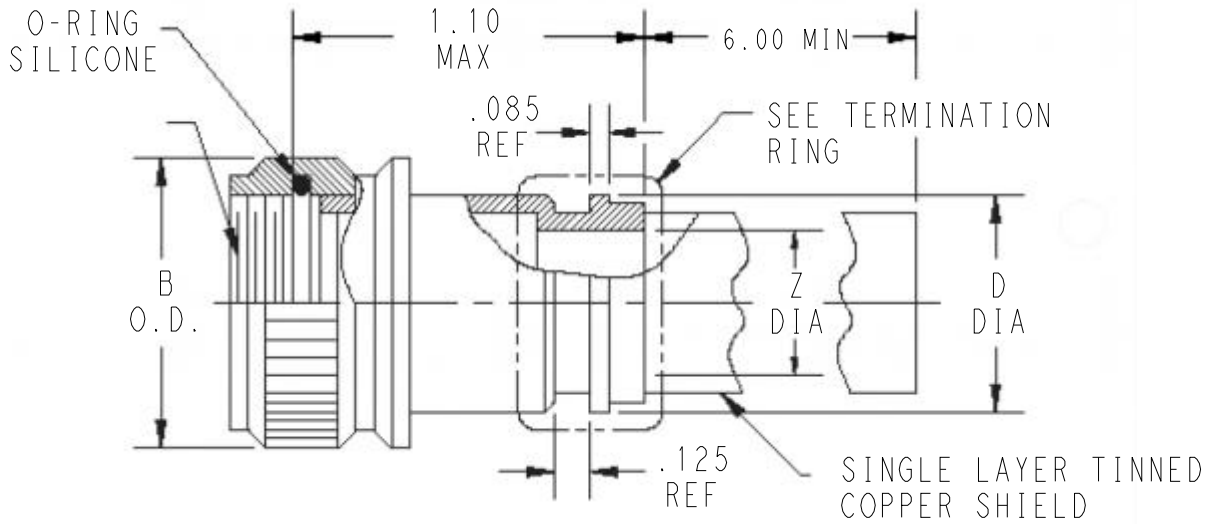
CONNECTOR ADAPTER INTERFACE PER FIGURE 9.

© 2021 TE Connectivity. All Rights Reserved.

DIMENSIONS: in	DWN MARTIN LAREZ	07JUL2021	MATERIAL	SEE TABLE	FINISH	-		
	CHK OSCAR ALVARADO	25-Aug-21						
TOLERANCES UNLESS OTHERWISE SPECIFIED:	APVD OSCAR ALVARADO	25-Aug-21						
	0 PLC ±	PRODUCT SPEC	NAME ADAPTER, ELEC CONN, SHIELD TERMINATING, STR					
1 PLC ±.1	APPLICATION SPEC	SIZE				CAGE CODE	DRAWING NO	RESTRICTED TO
2 PLC ±.01		A 4				00779	©=2395105-1	-
3 PLC ±.001		WEIGHT				CUSTOMER DRAWING		
4 PLC ±.0001		SCALE				SHEET		REV
ANGLES ±-						47 ^{OF} 49		A 1

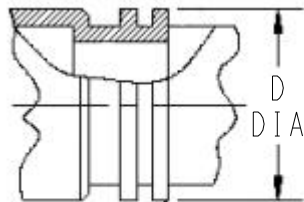


REVISIONS				
P	LTR	DESCRIPTION	DATE	APVD
	-	SEE SHEET 1	-	-



NOTES:

- FOR USE WITH MIL-C-38999, SERIES III & IV CONNECTORS.
- CONFIGURATION FOR BACKSHELL END SHOWN ABOVE, CONFIGURATION FOR CONNECTOR END SHOWN ON FIGURE 10 (T2).



BRAID TERMINATION RING MAY BE SUPPLIED AS SHAPE MEMORY RING AT MANUFACTURE'S OPTION

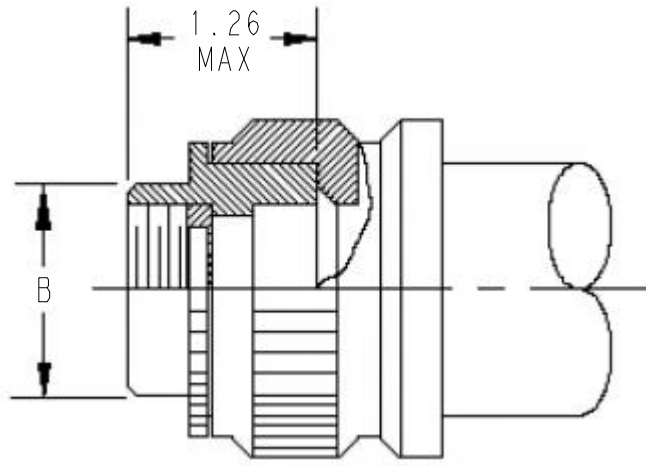
TERMINATION RING

FIGURE 10

© 2021 TE Connectivity. All Rights Reserved.

DIMENSIONS: in	DWN MARTIN LAREZ	07JUL2021	MATERIAL	SEE TABLE	FINISH	-
	CHK OSCAR ALVARADO	25-Aug-21				
TOLERANCES UNLESS OTHERWISE SPECIFIED:	APVD OSCAR ALVARADO	25-Aug-21				
0 PLC ±	PRODUCT SPEC	-	NAME ADAPTER, ELEC CONN, SHIELD TERMINATING, STR			
1 PLC ±.1	APPLICATION SPEC	-				
2 PLC ±.01	WEIGHT	-	SIZE	CAGE CODE	DRAWING NO	RESTRICTED TO
3 PLC ±.001			A 4	00779	©-2395105-1	-
4 PLC ±.0001			SCALE SHEET 48 ^{OF} 49 REV A1			
ANGLES ±-						
		CUSTOMER DRAWING				

REVISIONS					
P	LTR	DESCRIPTION	DATE	DWN	APVD
	-	SEE SHEET 1	-	-	-



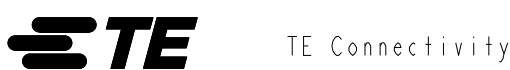
TYPE II-OPTIONAL EXTENDED ASSEMBLY
 TWO PIECE ADAPTER SUPPLIED WHEN ENTRY
 SIZE EXCEEDS CONNECTOR INSERT DIA.

FIGURE 10 (T2)

NOTE: FIGURE SHOWN ABOVE HAS SAME DIMENSIONS AS FIGURE 2,
 EXCEPT WHERE NOTED.

CONNECTOR ADAPTER INTERFACE PER FIGURE 10.

© 2021 TE Connectivity. All Rights Reserved.

DIMENSIONS: in	DWN MARTIN LAREZ	07JUL2021	MATERIAL	SEE TABLE	FINISH	-
	CHK OSCAR ALVARADO	25-Aug-21				
TOLERANCES UNLESS OTHERWISE SPECIFIED:	APVD OSCAR ALVARADO	25-Aug-21				
0 PLC ±	PRODUCT SPEC	-	NAME ADAPTER, ELEC CONN, SHIELD TERMINATING, STR			
1 PLC ±.1	APPLICATION SPEC	-	SIZE	CAGE CODE	DRAWING NO	RESTRICTED TO
2 PLC ±.01	WEIGHT	-	A 4	00779	©=2395105-1	-
3 PLC ±.001			CUSTOMER DRAWING			
4 PLC ±.0001			SCALE	SHEET	49 ^{OF} 49	REV A 1
ANGLES ±-						

