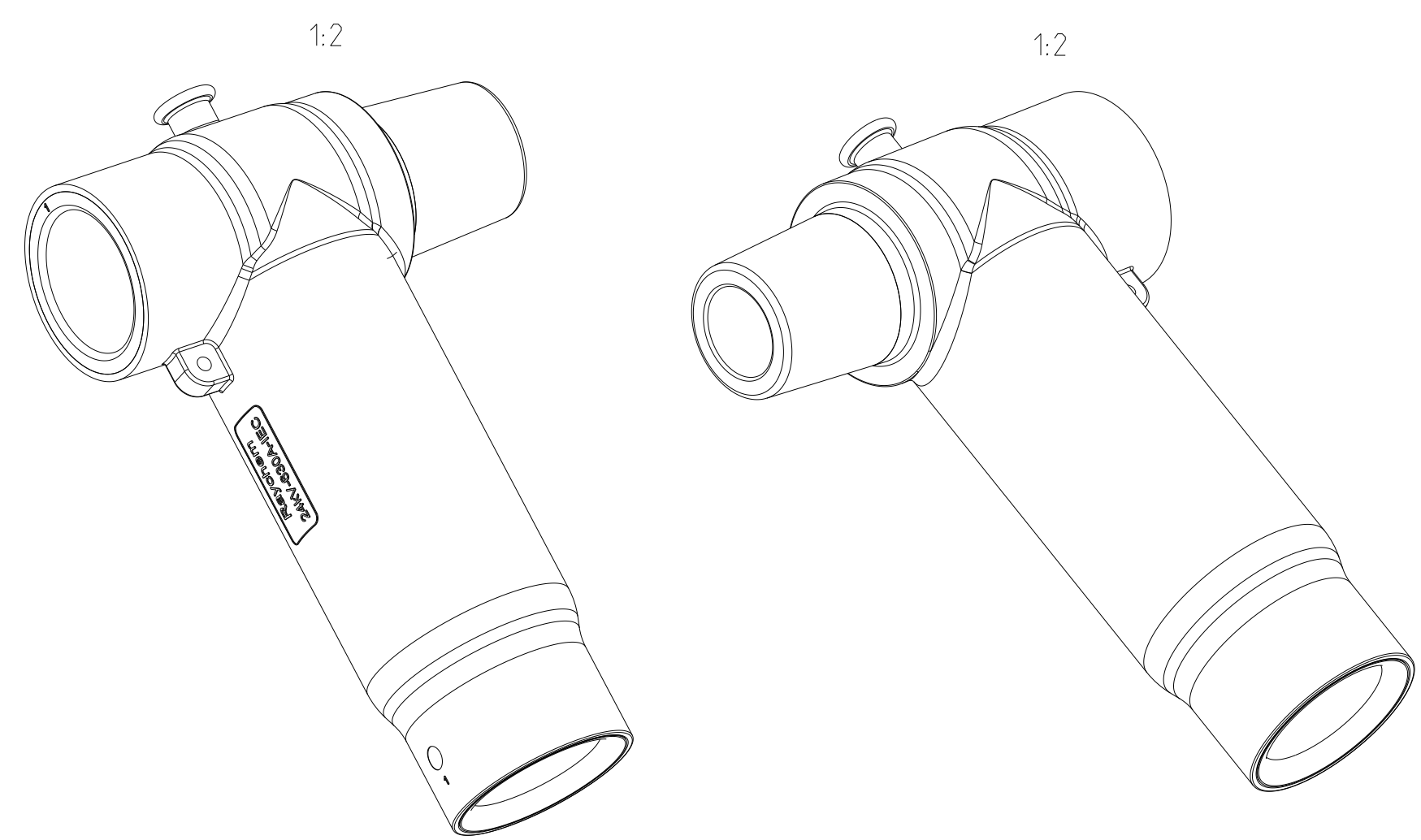
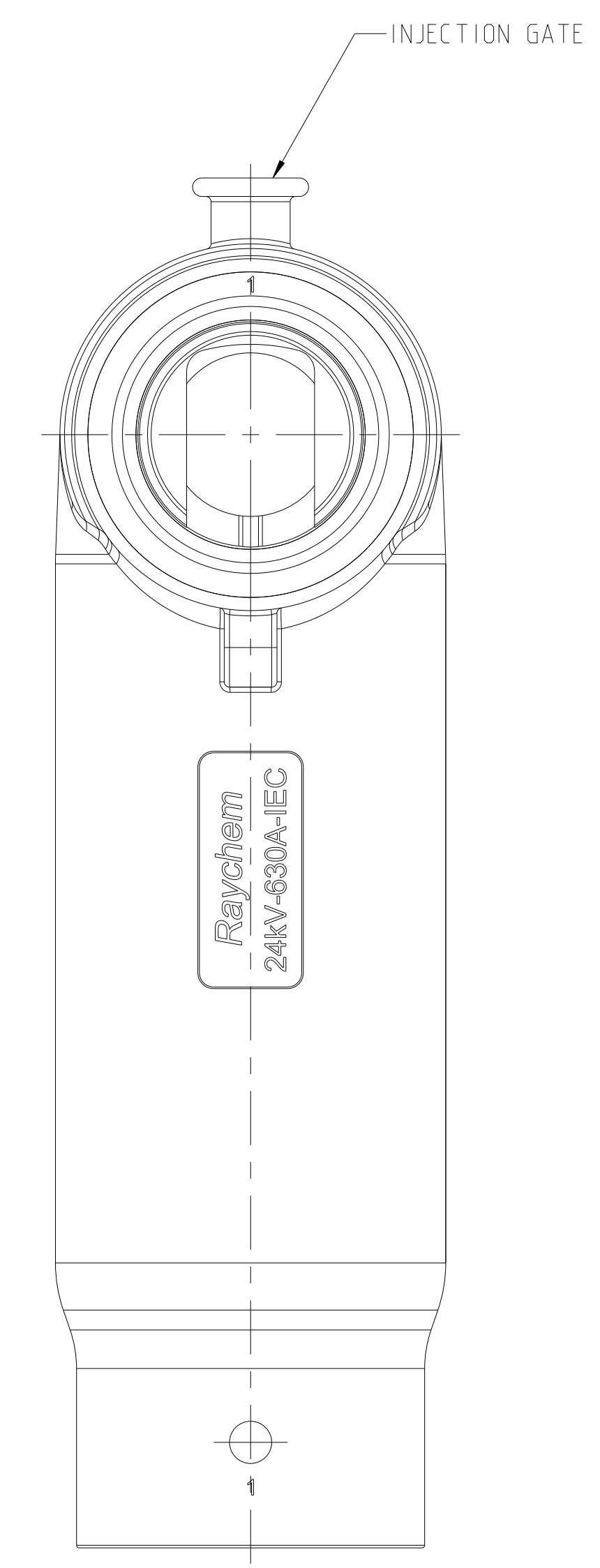
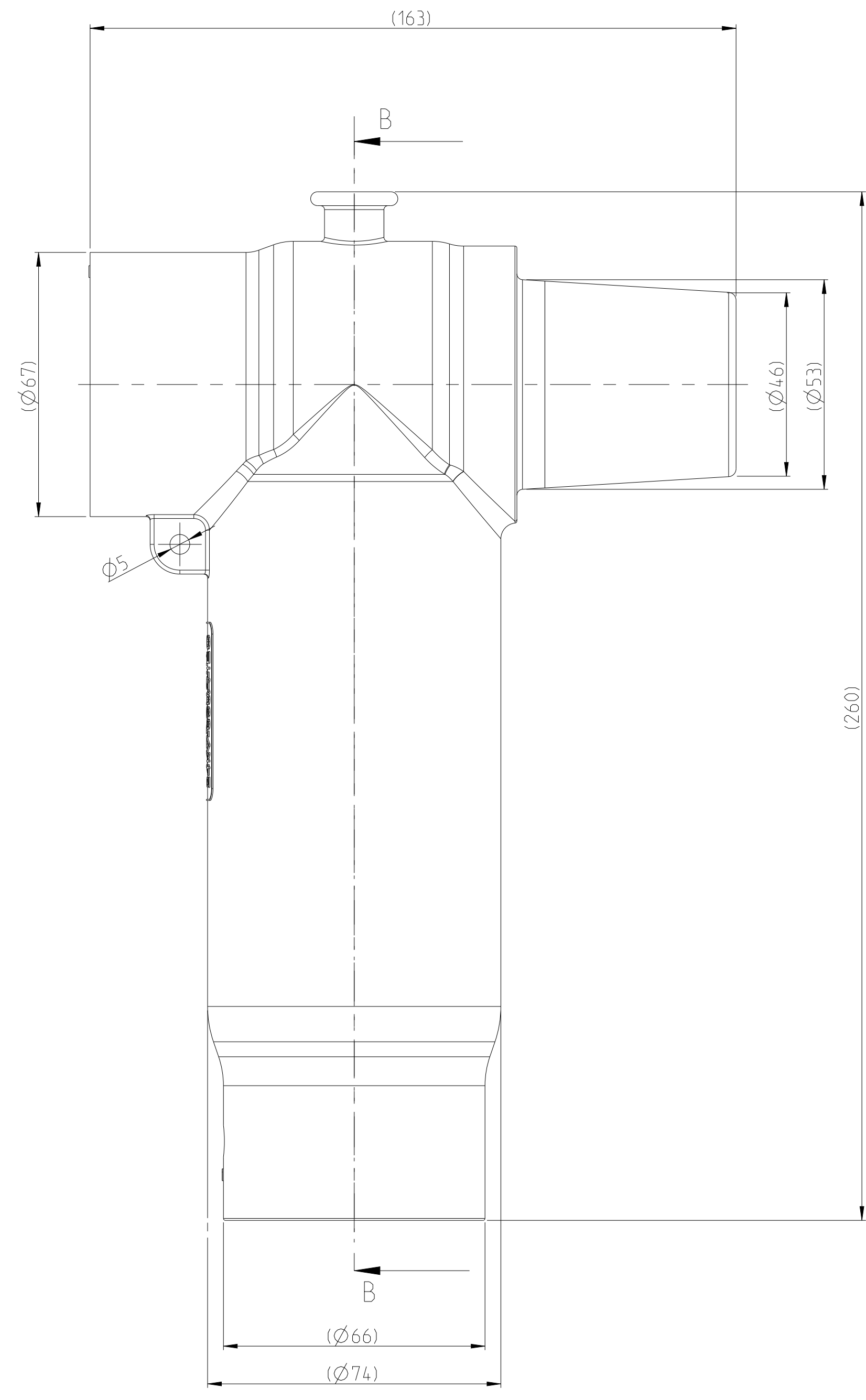
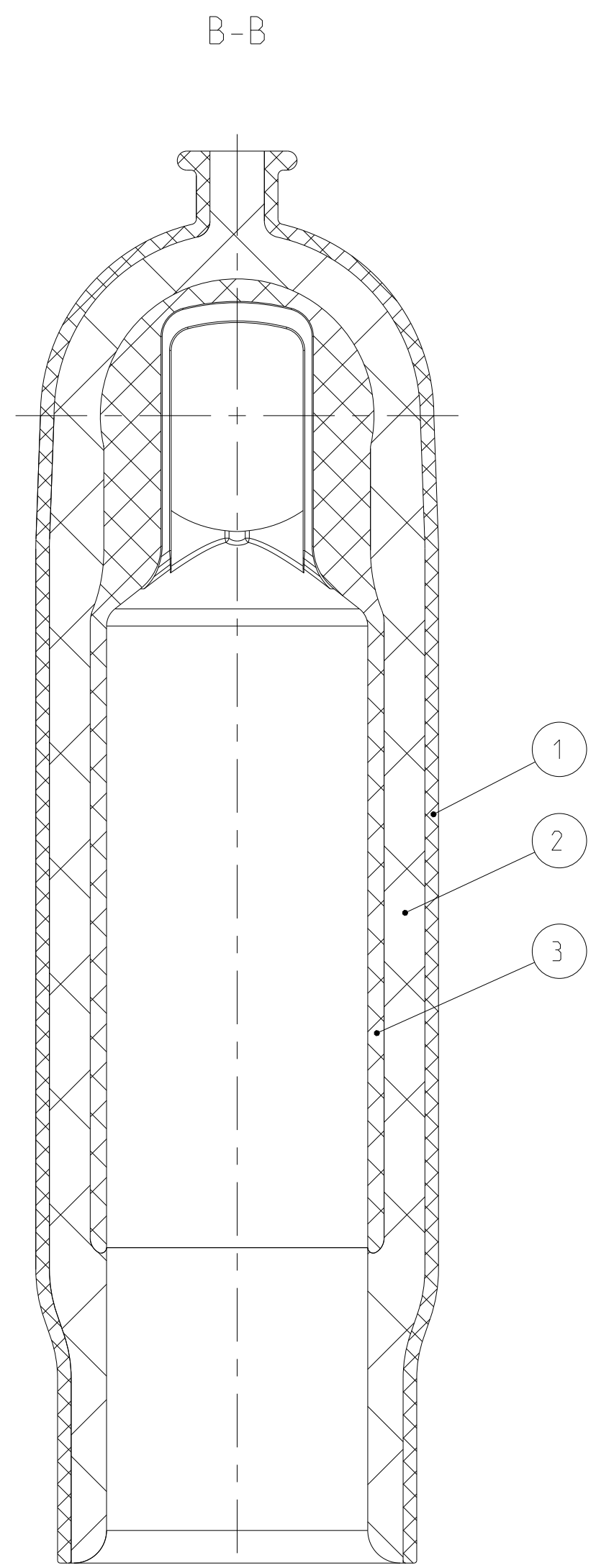


REVISIONS				
P	LTN	DESCRIPTION	DATE	APVD
A1		GO TO PRODUCTION	24FEB2023	IQ EZ



Pos Item	Anz Qty	Benennung Name	Zeichnungsnummer / Normbezeichnung Part number / Standard designation	Volumen (cm ³) Volume (cm ³)	Werkstoff Material
1	1	OUTER CONDUCTIVE LAYER	2395272-1	166.44	EPDM (CONDUCTIVE)
2	1	INSULATING BODY	-	487.442	EPDM (INSULATING)
3	1	FARADAY CAGE	2395273-1	101.049	EPDM (CONDUCTIVE)

THIS DRAWING IS A CONTROLLED DOCUMENT.		OWN: L. QIN 24DEC2021	2395276-1 ELBC-24-CB-K1-UP-630-L	
DIMENSIONS: mm		CHEK: E. ZHANG 24DEC2021	PART NUMBER PART DESCRIPTION	
TOLERANCES UNLESS OTHERWISE SPECIFIED:		APVD: W. J. YANG 24DEC2021		
0 PLC # # # # #		PRODUCT SPEC		
1 PLC # # # # #		APPLICATION SPEC	NAME: ELBC-24-CB-K1-UP-630-L	
2 PLC # # # # #		RESTRICTED TO	SIZE: A1 CAGE CODE: 00779 DRAWING NO: C=2395276	
3 PLC # # # # #		SCALE: 1:1	SHEET 1 OF 1	
4 PLC # # # # #		REV: A1		
ANGLES				
FINISH				
MATERIAL				
CUSTOMER DRAWING				