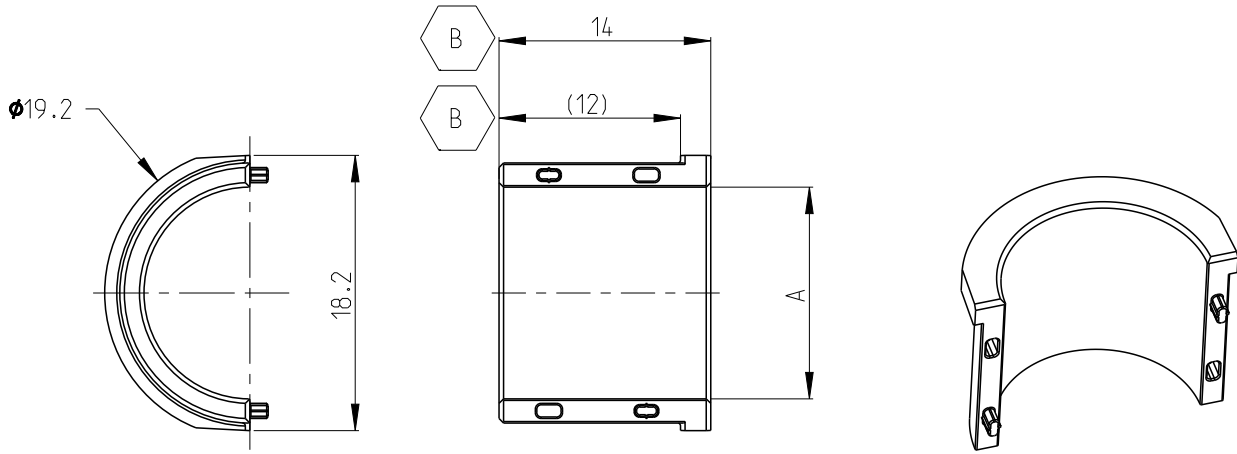


REVISIONS					
P	LTR	DESCRIPTION	DATE	DWN	APVD
	A	INITIAL DRAWING	26AUG2021	P.L	I.Y
	B	REVISE	20APR2022	C.C	Z.Z



-3 AS SHOWN

- 1 MATERIAL: PA66-GF, COLOR: SEE TABLE
- 2. BULK PACKAGED

16.7	17.3	Ø14.0	BLACK	FOR 70SQ	2395861-3
14.6	15.2	Ø11.8	NATURAL	FOR 50SQ	2395861-2
12.4	13	Ø10.0	ORANGE	FOR 35SQ	2395861-1
MIN.	MAX.				
CABLE O.D.		DIM.A	COLOR	CABLE SIZE	PART NO.

© 2021 TE Connectivity. All Rights Reserved.

DIMENSIONS: mm TOLERANCES UNLESS OTHERWISE SPECIFIED: ±0.3 0 PLC ± 1 PLC ±0.1 2 PLC ±0.01 3 PLC ±0.001 4 PLC ±0.0001 ANGLES ±	DWN P.LING	26AUG2021	MATERIAL	1	FINISH	
	CHK J.LI	26AUG2021				
APVD I.YIN	26AUG2021					
PRODUCT SPEC		108-160341	NAME INNER_SPACER HVP-HD1000			
APPLICATION SPEC		114-160182	SIZE	CAGE CODE	DRAWING NO	RESTRICTED TO
WEIGHT			A 4	00779	C-2395861	-
CUSTOMER DRAWING			SCALE	2:1	SHEET	1 OF 1
					REV	B