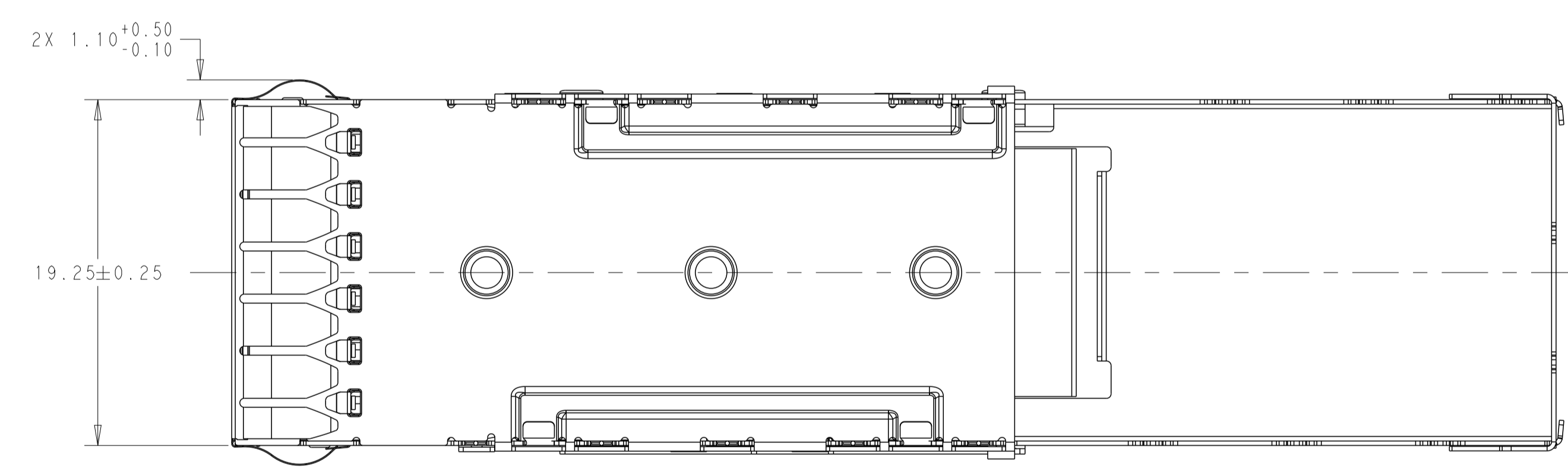
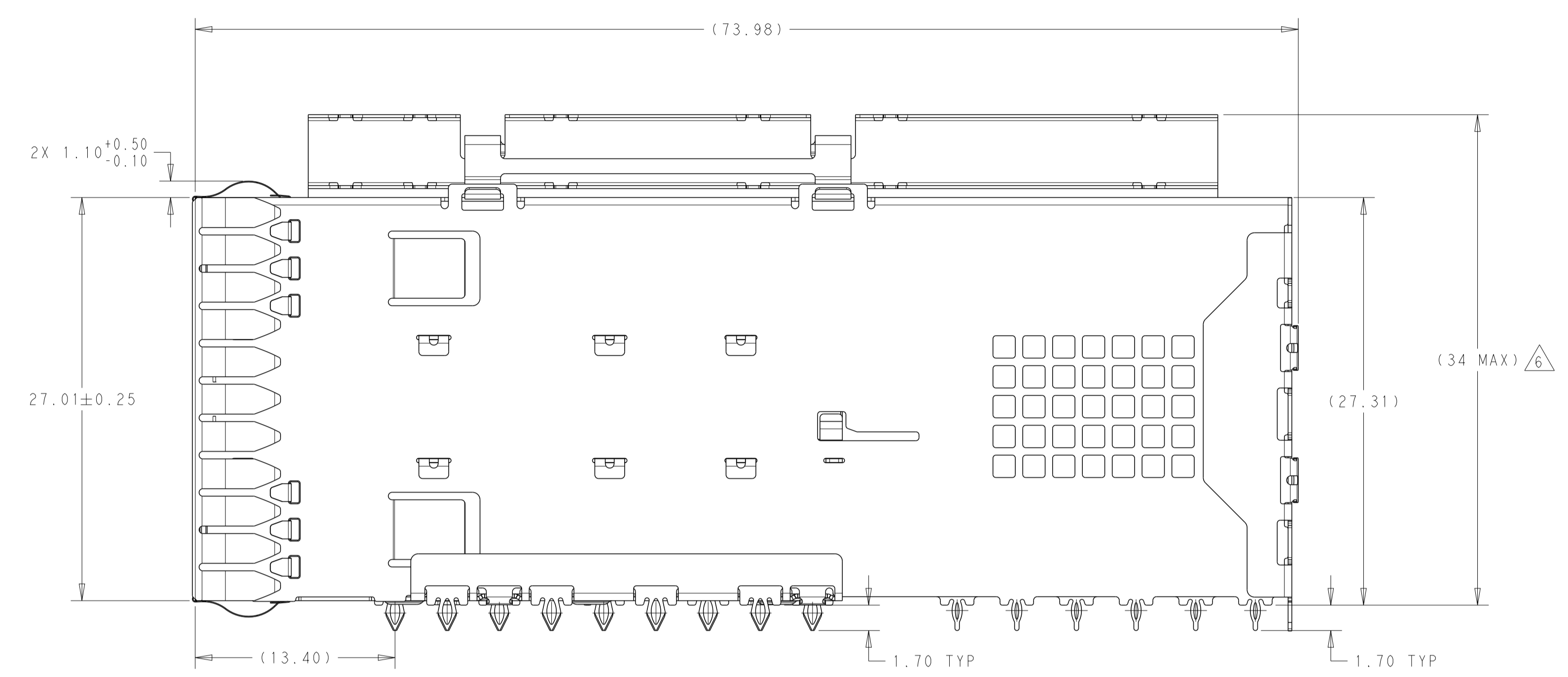
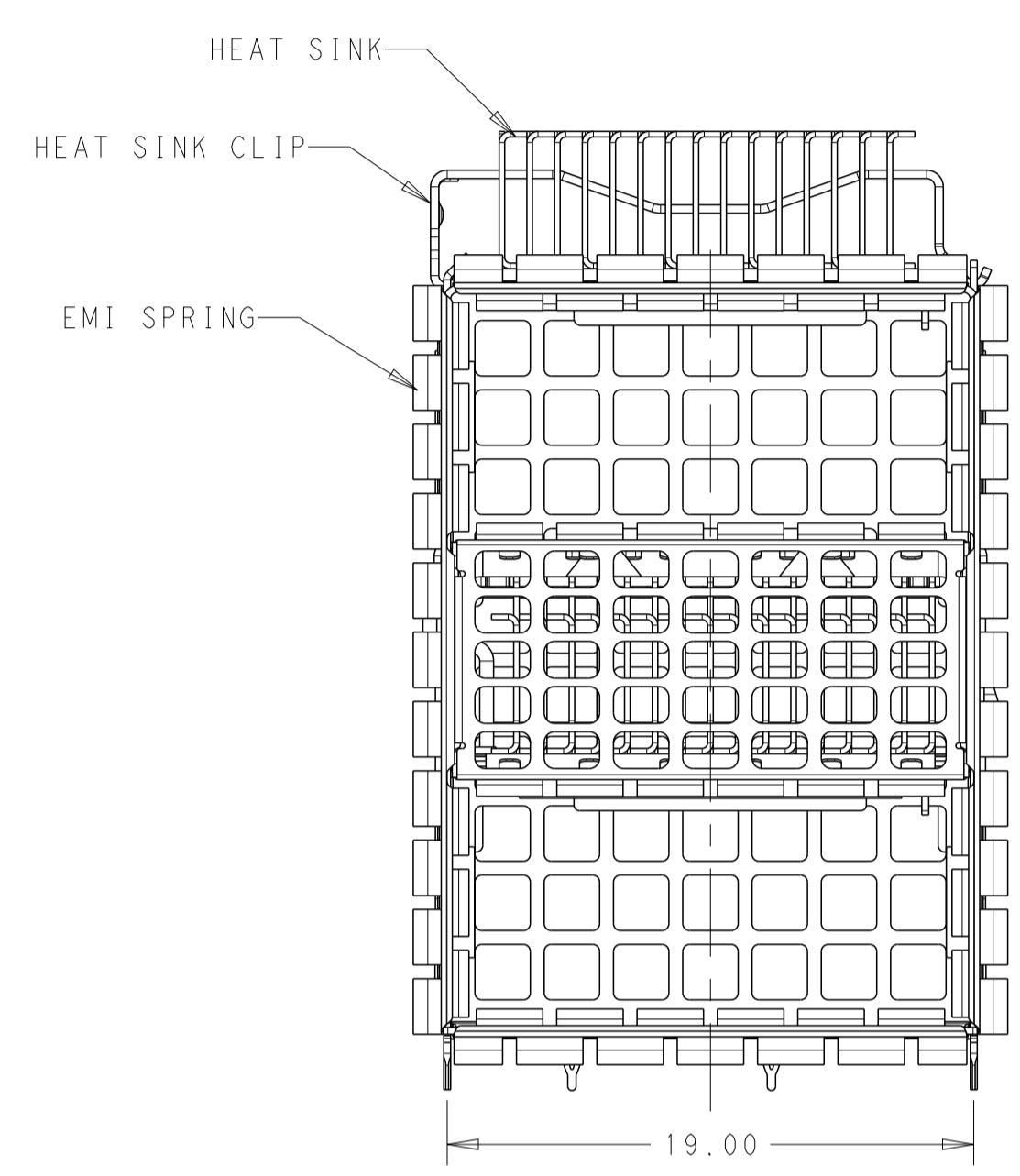


REVISIONS				
P	LTN	DESCRIPTION	DATE	DWN APVD
A		PRODUCTION RELEASE	03JUN2024	RM SZ

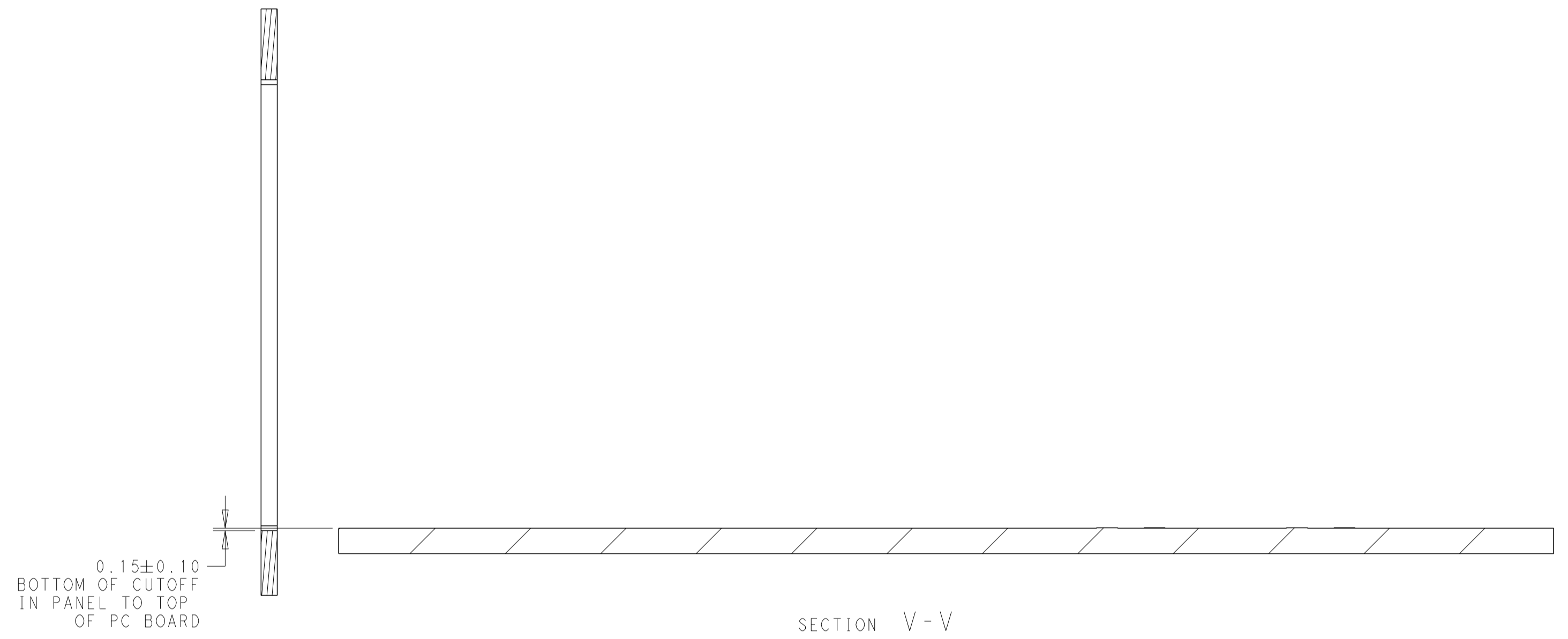
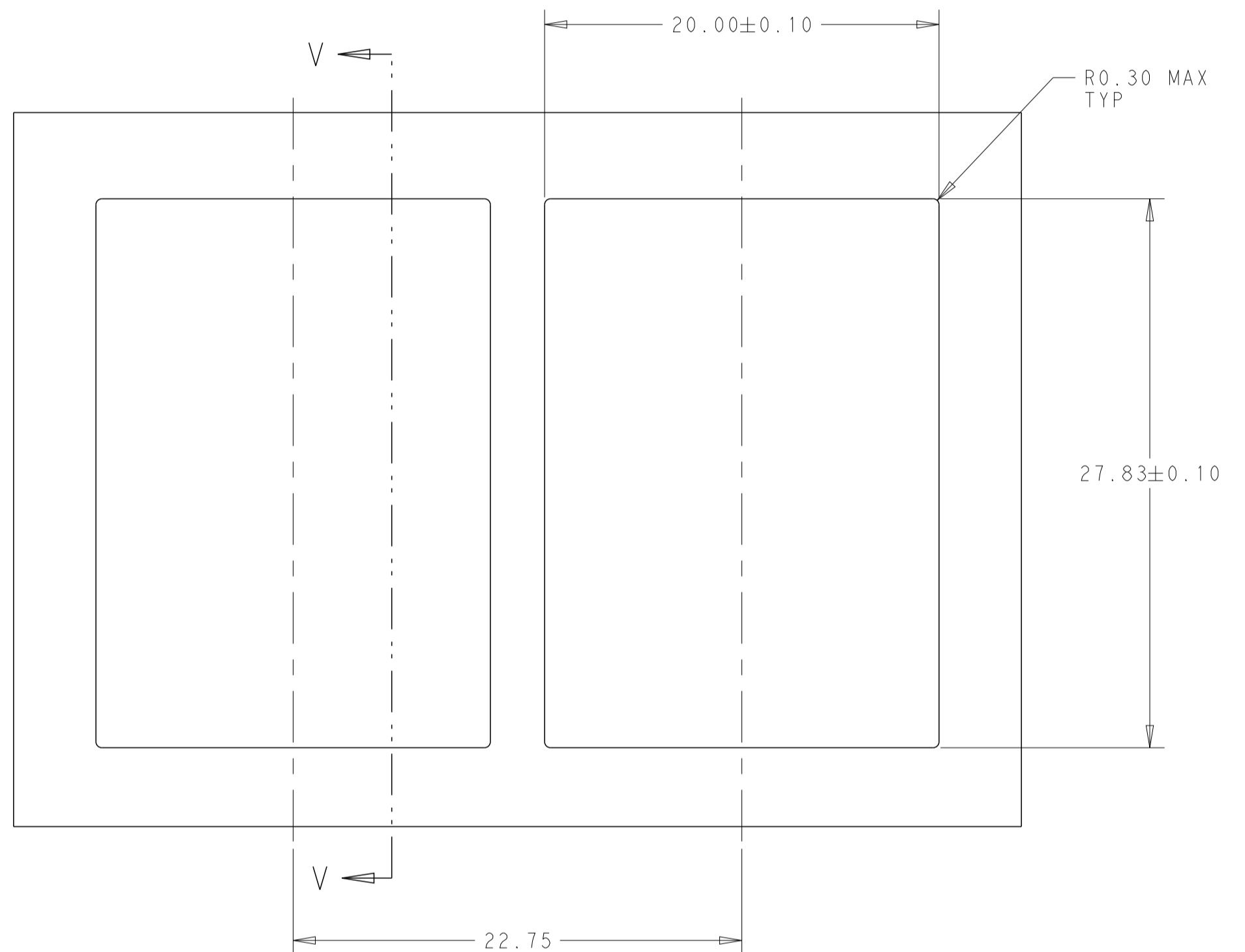


- △ CAGE ASSEMBLY: STAINLESS STEEL.
 HEAT SINK: ALUMINUM/NICKEL PLATING.
 HEAT SINK CLIP: STAINLESS STEEL.
 EMI SPRING: COPPER ALLOY/NICKEL PLATING.
- △ REFERENCE APPLICATION SPECIFICATION 114-160792 FOR RECOMMENDED DRILL HOLE DIAMETER AND PLATING THICKNESS. BOARD LAYOUT PER THIS PRINT.
- △ DATUM AND BASIC DIMENSION ESTABLISHED BY CUSTOMER.
- 4. MATES WITH QSFP DD MSA COMPATIBLE TRANSCEIVER.
- 5. MINIMUM PC BOARD THICKNESS: SINGLE SIDED: 1.57 MIN
 DOUBLE SIDED: 3.00 MIN
- △ DIMENSION APPLIES WITH MODULE INSERTED INTO CAGE.
- △ THE ENTIRE AREA OF THE CONNECTOR FOOTPRINT, INDICATED BY THE DASHED LINE, TO BE CONSIDERED THE KEEPOUT AREA FOR COMPONENTS.
- △ CROSS-HATCHED AREAS REPRESENT ZONES ON THE PCB THAT BE IN CLOSE PROXIMITY TO THE CAGE. INDICATED AREAS TO BE CONSIDERED TRACE FREE.


THIS DRAWING IS A CONTROLLED DOCUMENT.		DWN RICHARD MA 24AUG2021	WITH UPPER HS	2396990-1
DIMENSIONS:		CHK SUNY ZHAO 24AUG2021	DESCRIPTION	PART NUMBER
TOLERANCES UNLESS OTHERWISE SPECIFIED:		APVD SUNY ZHAO 24AUG2021	STE TE Connectivity	
mm		PRODUCT SPEC		
0 PLC ±0.25		108-160815	NAME QSFP112 2X1 CAGE ASSEMBLY WITH EMI SPRING, HEAT SINK	
1 PLC ±0.25		APPLICATION SPEC		
2 PLC ±0.20		114-160792	SIZE CAGE CODE DRAWING NO	RESTRICTED TO
3 PLC ±0.10		WEIGHT	A100779C=2396990	-
4 PLC ±		CUSTOMER DRAWING	SCALE 4:1	SHEET 1 OF 4
ANGLES FINISH			REV A	

THIS DRAWING IS UNPUBLISHED. RELEASED FOR PUBLICATION 20
 © COPYRIGHT 20 BY - ALL RIGHTS RESERVED.

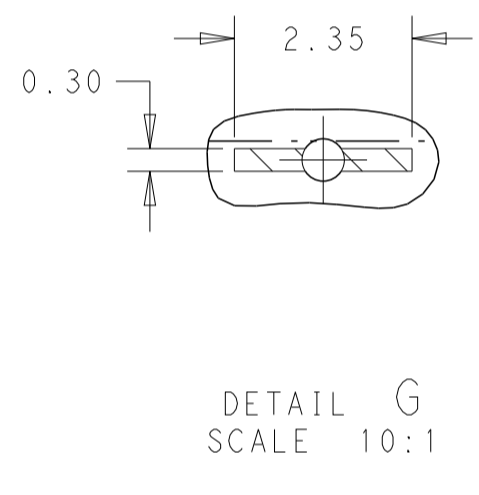
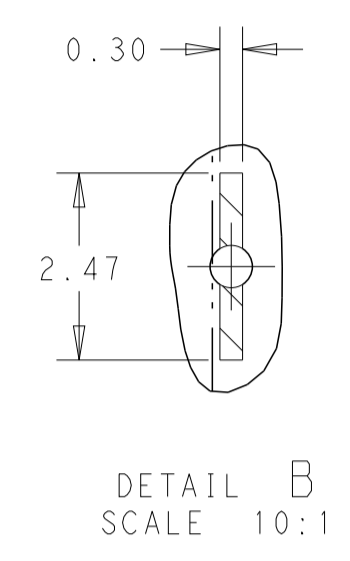
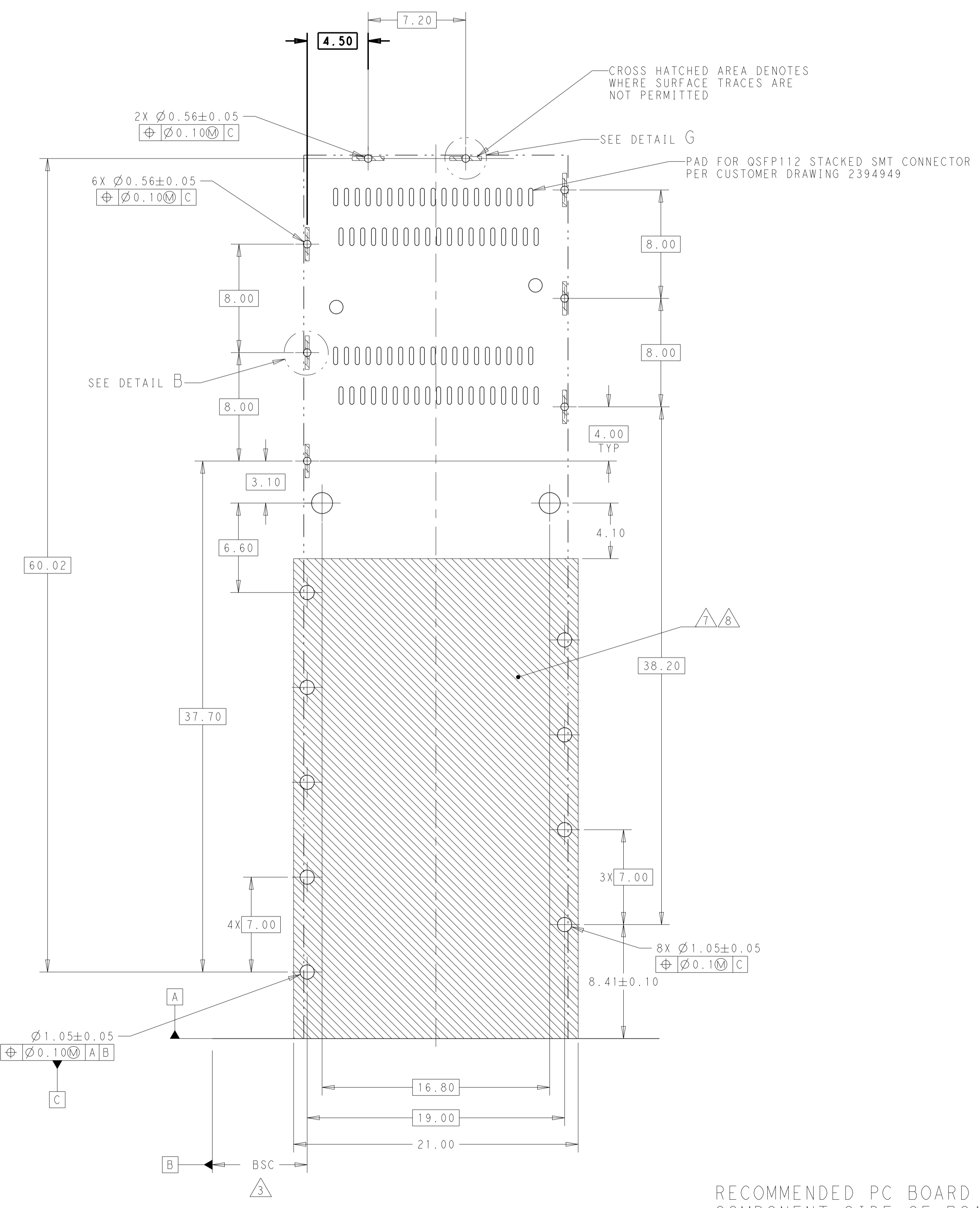
REVISIONS				
P.	LTN.	DESCRIPTION	DATE	APVD.
-	-	SEE SHEET 1	-	-



RECOMMENDED PANEL CUTOUT
 AND PC BOARD, PANEL POSITION

THIS DRAWING IS A CONTROLLED DOCUMENT.		DWN: RICHARD MH 24AUG2021	 TE Connectivity
		CHK: SUNY ZHAO 24AUG2021	
DIMENSIONS:		APVD: SUNY ZHAO 24AUG2021	NAME: QSPF112 2X1 CAGE ASSEMBLY WITH EMI SPRING, HEAT SINK PRODUCT SPEC: 108-160815 APPLICATION SPEC: 114-160792
mm 0 PLC ±0.25 1 PLC ±0.25 2 PLC ±0.20 3 PLC ±0.10 4 PLC ± ANGLES ±		TOLERANCES UNLESS OTHERWISE SPECIFIED:	
MATERIAL: TBD	FINISH: -	WEIGHT: -	RESTRICTED TO: -
CUSTOMER DRAWING		SCALE: 4:1	SHEET 2 OF 4 REV A

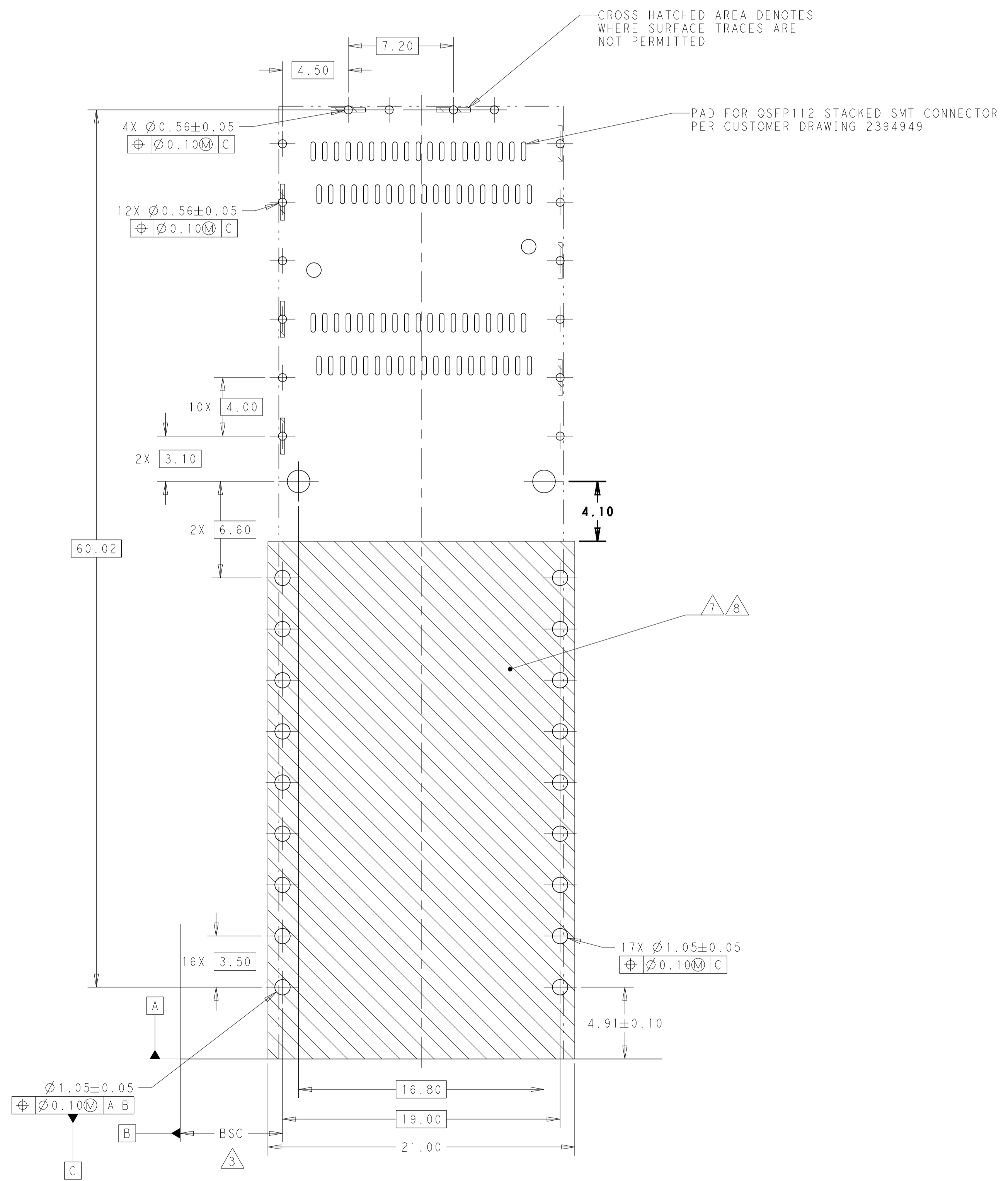
REVISIONS				
P.	LTN.	DESCRIPTION	DATE	APVD.
-	-	SEE SHEET 1	-	-



RECOMMENDED PC BOARD LAYOUT
 COMPONENT SIDE OF BOARD
 (PCB TOLERANCE: ± 0.05)

THIS DRAWING IS A CONTROLLED DOCUMENT.		DWN: RICHARD.MH. 24AUG2021 CHK: SUNY.ZHAO 24AUG2021	STE TE Connectivity
DIMENSIONS: mm		APVD: SUNY.ZHAO 24AUG2021	
TOLERANCES UNLESS OTHERWISE SPECIFIED:		0 PLC ± 0.25 1 PLC ± 0.25 2 PLC ± 0.20 3 PLC ± 0.10 4 PLC \pm	NAME: QSFP112 2X1 CAGE ASSEMBLY WITH EMI SPRING, HEAT SINK
MATERIAL: TBD		FINISH: -	PRODUCT SPEC: 108-160815 APPLICATION SPEC: 114-160792
CUSTOMER DRAWING		SCALE: 4:1	RESTRICTED TO: -
		SHEET: 3 OF 4	REV: A

REVISIONS				
P.	LTN.	DESCRIPTION	DATE	APVD.
-	-	SEE SHEET 1	-	-



RECOMMENDED PC BOARD LAYOUT
 BELLY TO BELLY
 COMPONENT SIDE OF BOARD
 (PCB TOLERANCE: ±0.05)

THIS DRAWING IS A CONTROLLED DOCUMENT.		OWN: RICHARD.MH 24AUG2021	TE Connectivity
DIMENSIONS: mm		CHK: SUNY.ZHAO 24AUG2021	
TOLERANCES UNLESS OTHERWISE SPECIFIED:		APVD: SUNY.ZHAO 24AUG2021	NAME: QSFP112 2X1 CAGE ASSEMBLY WITH EMI SPRING, HEAT SINK
0 PLC	±0.25	PRODUCT SPEC	108-160815
1 PLC	±0.25	APPLICATION SPEC	114-160792
2 PLC	±0.20	SIZE	A100779C=2396990
3 PLC	±0.10	RESTRICTED TO	-
4 PLC	±0.10	SCALE	4:1
ANGLES	±	SHEET	4 OF 4
MATERIAL: TBD	FINISH: -	WEIGHT: -	REV: A
CUSTOMER DRAWING		SCALE 4:1 SHEET 4 OF 4 REV A	