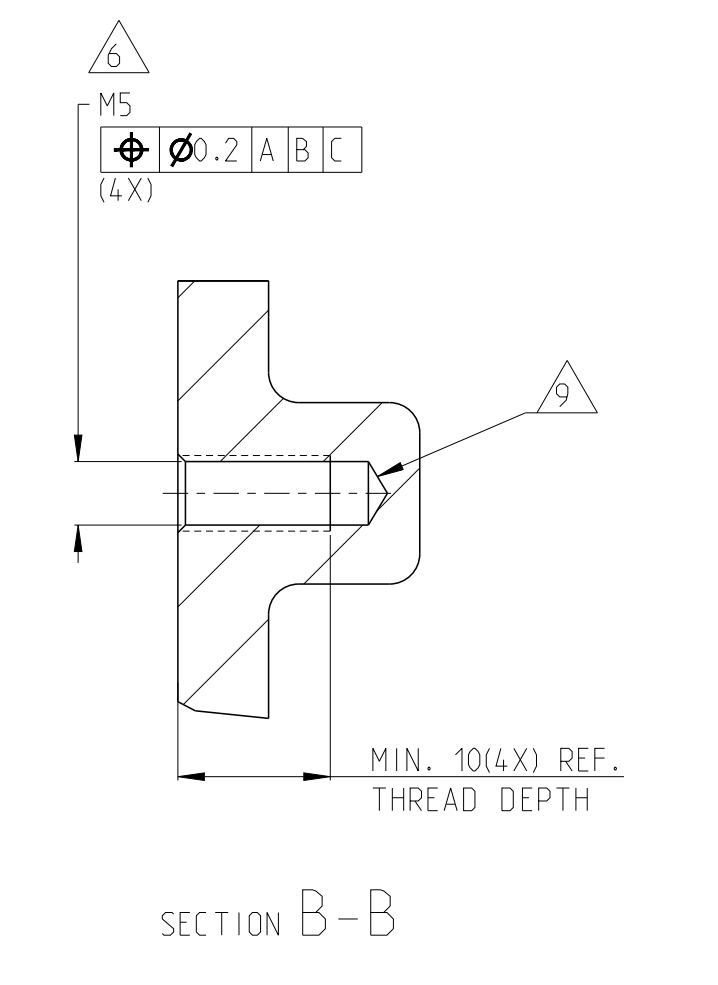
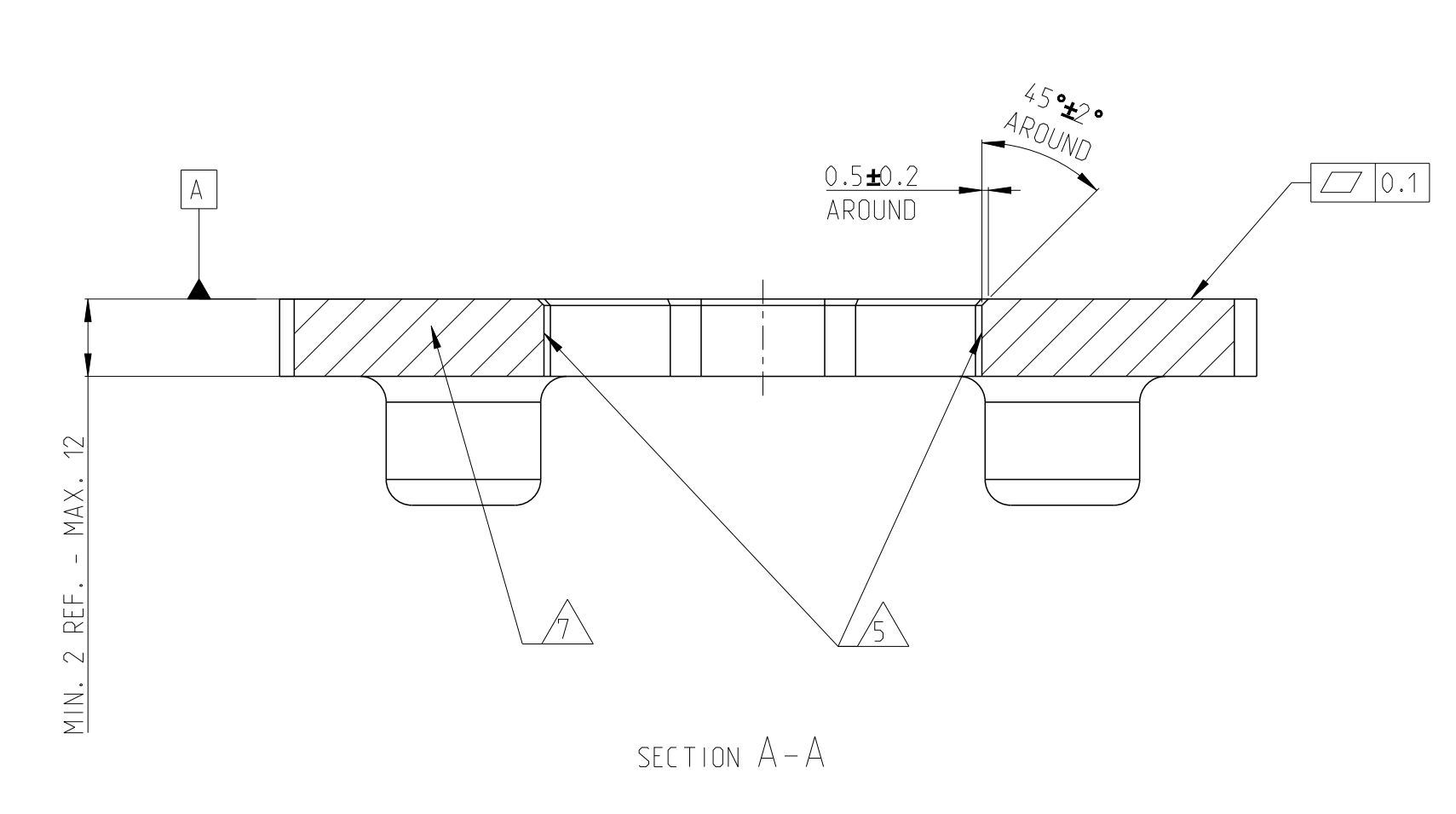
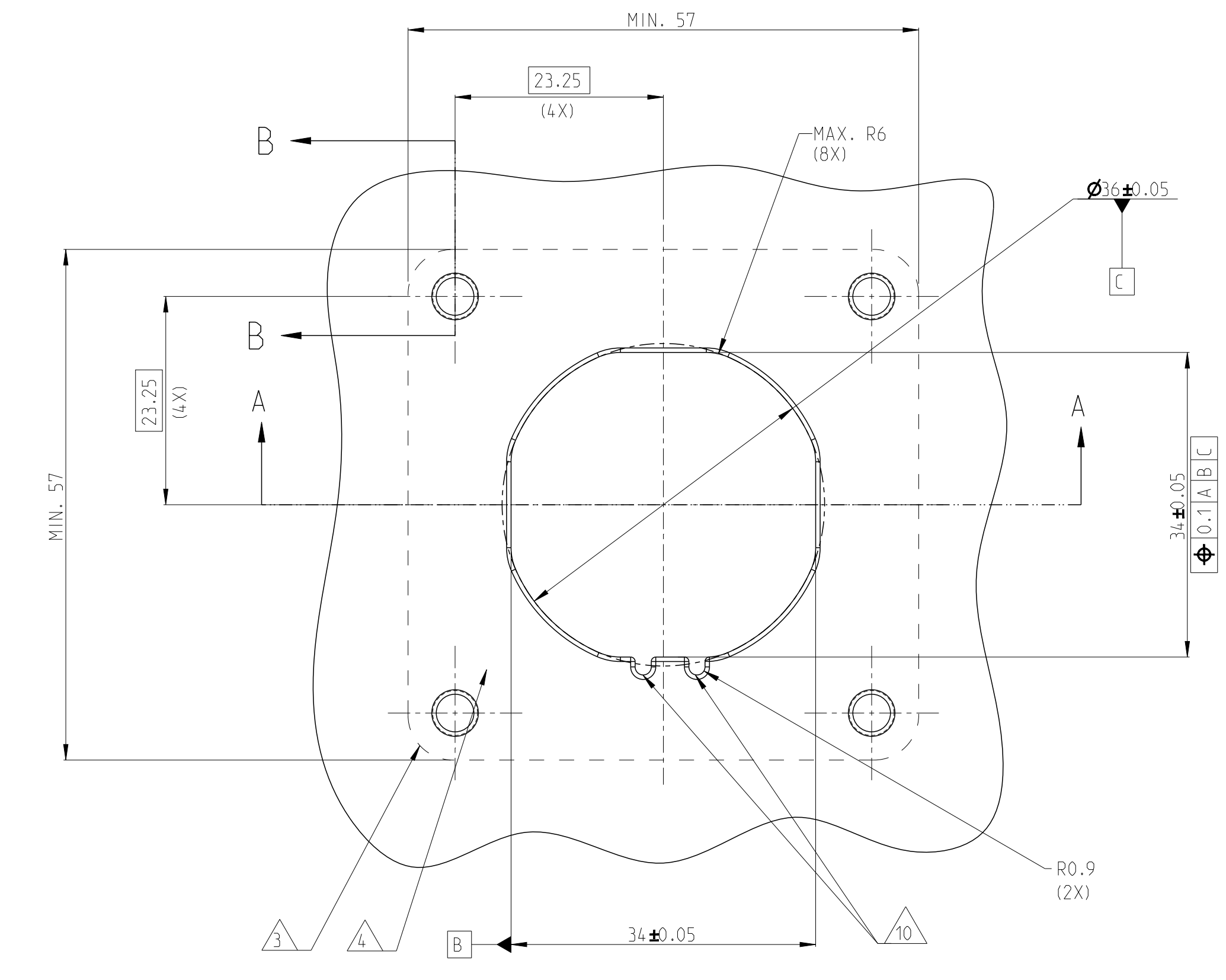
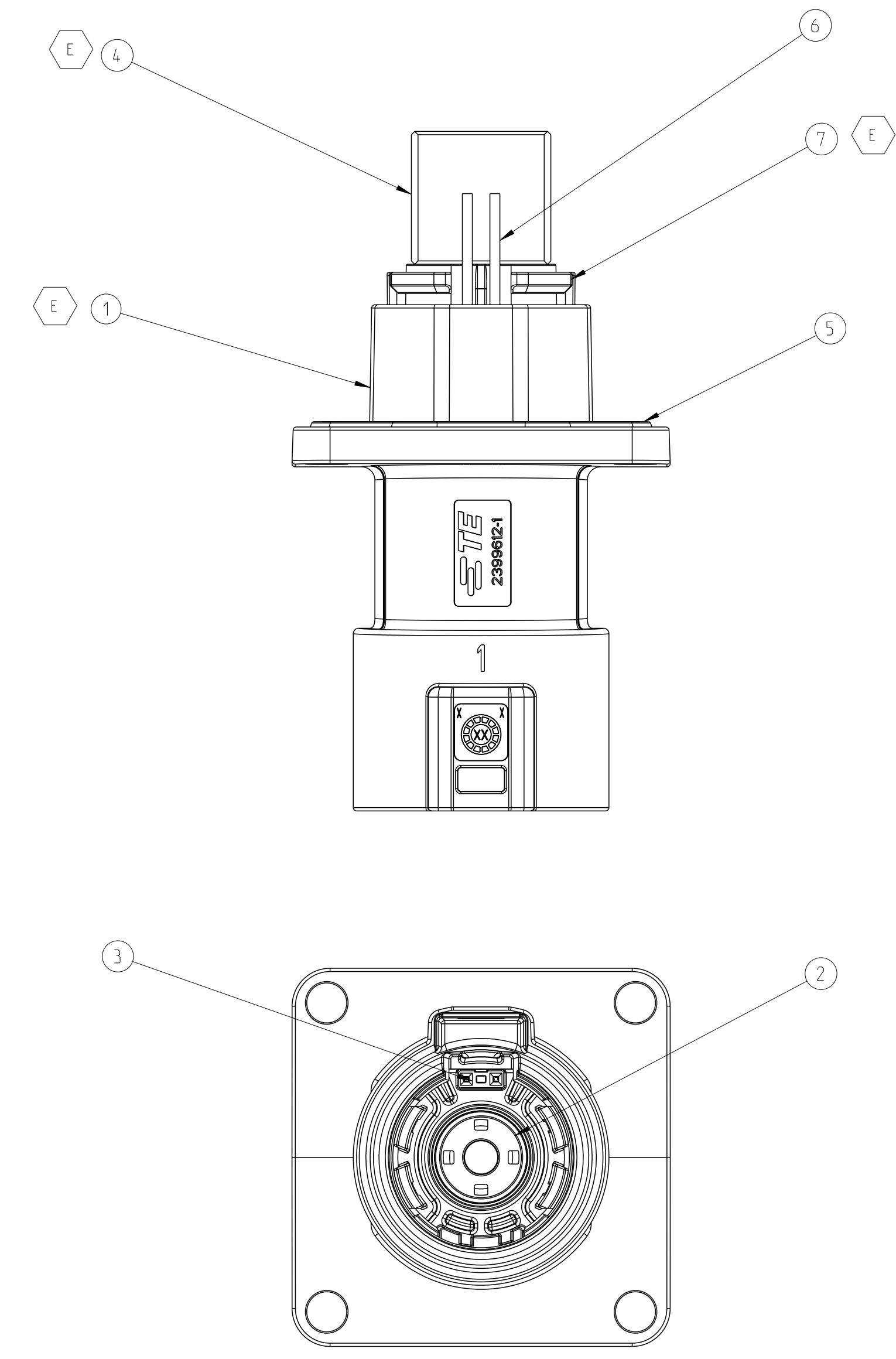


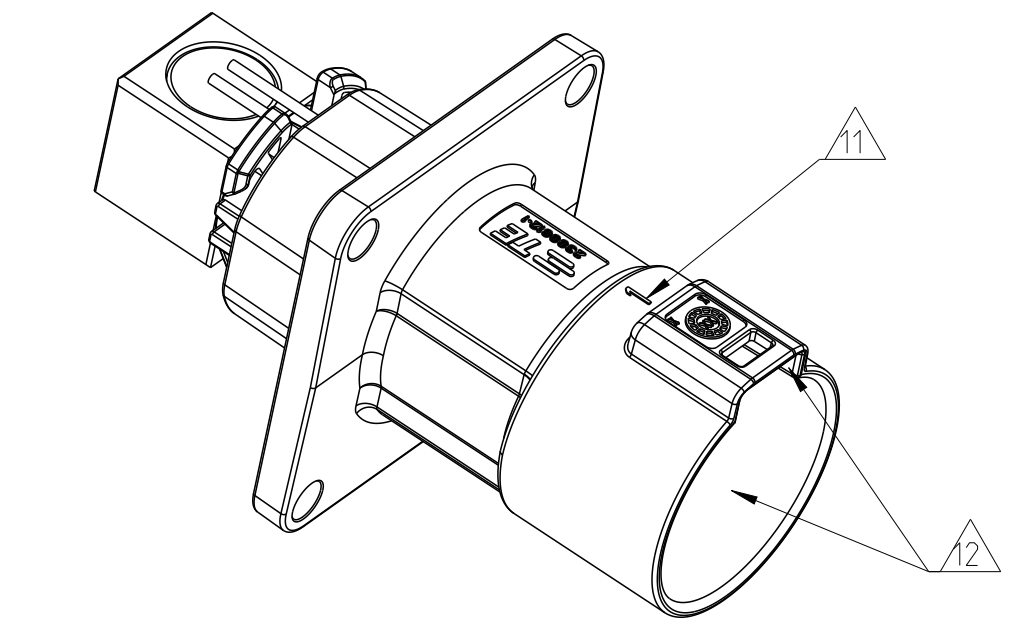
ADAPTER PLATE - HVP-HD1400 1POS HEADER INTERFACE



| TE-ASSY-NO | TE REV. | CODE | DESCRIPTION | DESCRIPTION | CODE | MATERIAL | SURFACE COLOR / TREATMENT | WEIGHT (g) | QTY | ITEM |
|-------------|---------|------|-----------------------------------|--|------|----------|---------------------------|------------|-----|------|
| 9-2399606-3 | E | M | 1POS,PIN DIA 14.0 HDR ASSY,180DEG | CODE HOUSING FOLLOW 8-2399606-1 | M | PA10T-GF | AQUA RED | (245) | 1 | 7 |
| 9-2399606-2 | E | L | 1POS,PIN DIA 14.0 HDR ASSY,180DEG | CODE HOUSING FOLLOW 8-2399606-1 | L | PA10T-GF | AQUA BROWN | (245) | 1 | 7 |
| 9-2399606-1 | E | K | 1POS,PIN DIA 14.0 HDR ASSY,180DEG | CODE HOUSING FOLLOW 8-2399606-1 | K | PA10T-GF | AQUA GREEN | (245) | 1 | 7 |
| 8-2399606-9 | E | J | 1POS,PIN DIA 14.0 HDR ASSY,180DEG | CODE HOUSING FOLLOW 8-2399606-1 | J | PA10T-GF | ORANGE | (245) | 1 | 7 |
| 8-2399606-8 | E | H | 1POS,PIN DIA 14.0 HDR ASSY,180DEG | CODE HOUSING FOLLOW 8-2399606-1 | H | PA10T-GF | YELLOW | (245) | 1 | 7 |
| 8-2399606-7 | E | G | 1POS,PIN DIA 14.0 HDR ASSY,180DEG | CODE HOUSING FOLLOW 8-2399606-1 | G | PA10T-GF | RED | (245) | 1 | 7 |
| 8-2399606-6 | E | F | 1POS,PIN DIA 14.0 HDR ASSY,180DEG | CODE HOUSING FOLLOW 8-2399606-1 | F | PA10T-GF | BROWN | (245) | 1 | 7 |
| 8-2399606-5 | E | E | 1POS,PIN DIA 14.0 HDR ASSY,180DEG | CODE HOUSING FOLLOW 8-2399606-1 | E | PA10T-GF | GREEN | (245) | 1 | 7 |
| 8-2399606-4 | E | D | 1POS,PIN DIA 14.0 HDR ASSY,180DEG | CODE HOUSING FOLLOW 8-2399606-1 | D | PA10T-GF | PURPLE | (245) | 1 | 7 |
| 8-2399606-3 | E | C | 1POS,PIN DIA 14.0 HDR ASSY,180DEG | CODE HOUSING FOLLOW 8-2399606-1 | C | PA10T-GF | BLUE | (245) | 1 | 7 |
| 8-2399606-2 | E | B | 1POS,PIN DIA 14.0 HDR ASSY,180DEG | CODE HOUSING FOLLOW 8-2399606-1 | B | PA10T-GF | NATURE | (245) | 1 | 7 |
| 8-2399606-1 | E | A | 1POS,PIN DIA 14.0 HDR ASSY,180DEG | CODE HOUSING FOLLOW 8-2399606-1 | A | PA10T-GF | BLACK | (245) | 1 | 7 |
| | | | | HWIL W IRE(LEONI) MOCAR 180 E 0.55MM,WHITE ACCORDING TO LV1121 WITH TERMINAL | | | | | 2 | 6 |
| | | | | FACE SEAL | | SILICONE | RED | | 1 | 5 |
| | | | | BUSBAR, TOP SIDE | | | | | 1 | 4 |
| | | | | HEADER TPA | | PA66-GF | RED | | 1 | 3 |
| | | | | FINGER PROTECTION CAP | | PA66-GF | BLACK | | 1 | 2 |
| | | | | HEADER HOUSING 180DEG,1POS | | AL-ALLOY | PASSIVATION | | 1 | 1 |



- 1. SUITABLE COUNTERPART OF HVP-HD1400 REFER TO KIT DRAWING OF PLUG PRE ASSY WITH TPA: 2400957 (70-120 STD CABLE), 2468625 (70-120 FLEX CABLE), 2413468 (150 FLEX CABLE)
- DRAWING OF PLUG PRE ASSY WITHOUT TPA: 2446256
- DRAWING OF TPA: 2399679
- CODING VARIANT
- MOUNTING SPACE FOR HEADER
- SEALING AREA AND BURR, TOOL PARTING, SHRINKAGE, CAVITIES AND GATE MARKS PERMITTED. SURFACE ROUGHNESS: Ra=1.6
- DRAFT ANGLE UP TO 0.5° PERMITTED
- MOUNTING SCREW M5 (RECOMMENDED SCREW PLATING: ZINC-NICKEL) SCREW TYPE UP TO MANUFACTURER
- MATERIAL: CORROSION RESISTANT, ELECTROCONDUCTIVE
- SCREW M6 FOR BUSBAR CONNECTION
- ALL THREAD HOLES ARE BLIND HOLES
- INTERFACE PANEL CODE SEE SHEET 5
- POSITION NUMBER
- LUBRICANT APPLIED ON THE RADIAL SEAL AREA AND CPA AREA
- ASSEMBLY P/N: X-XXXXXX-X
- ASSEMBLY REV.: X
- DATE CODE: DW W Y Y

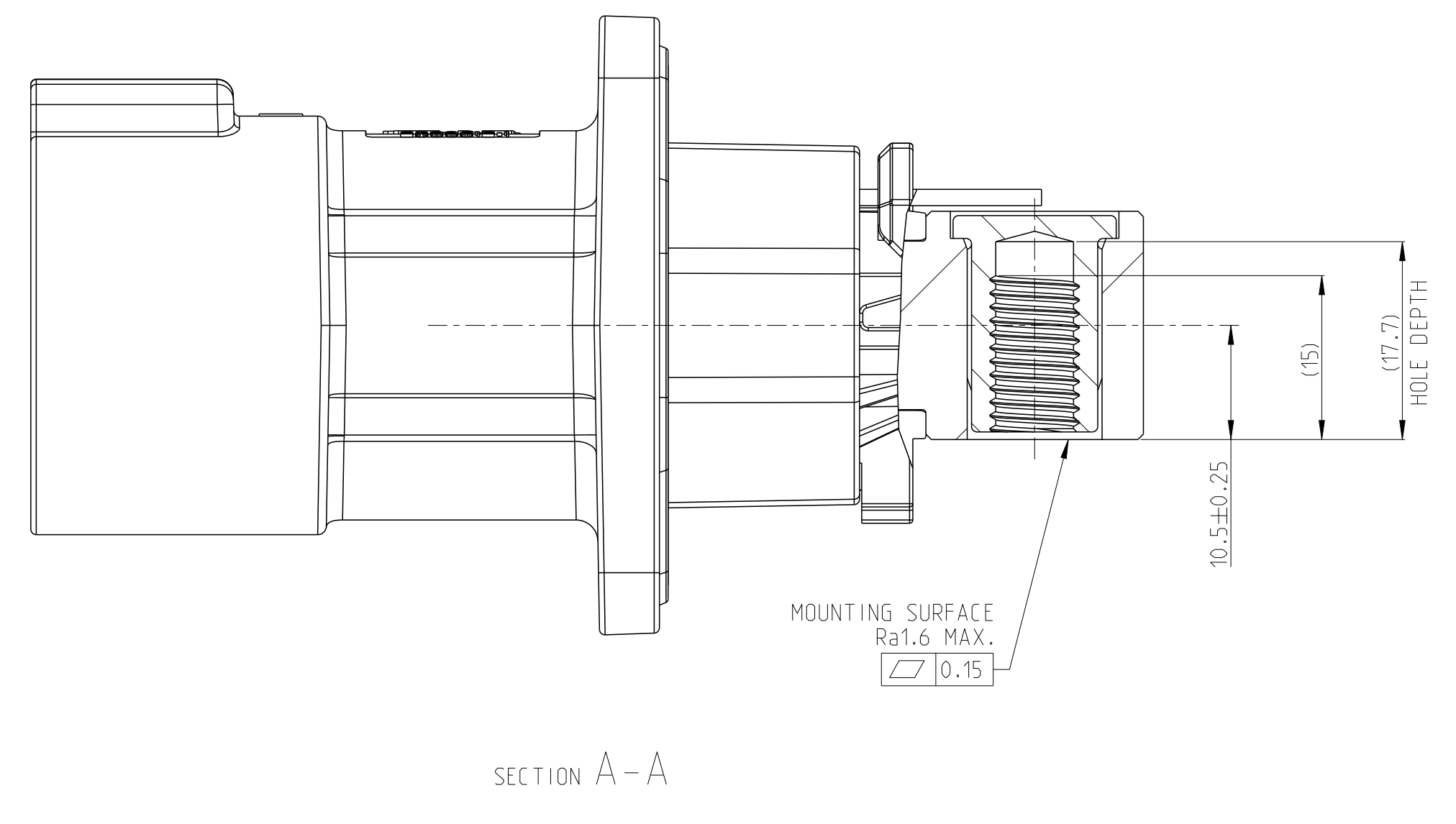


SCALE 1:1

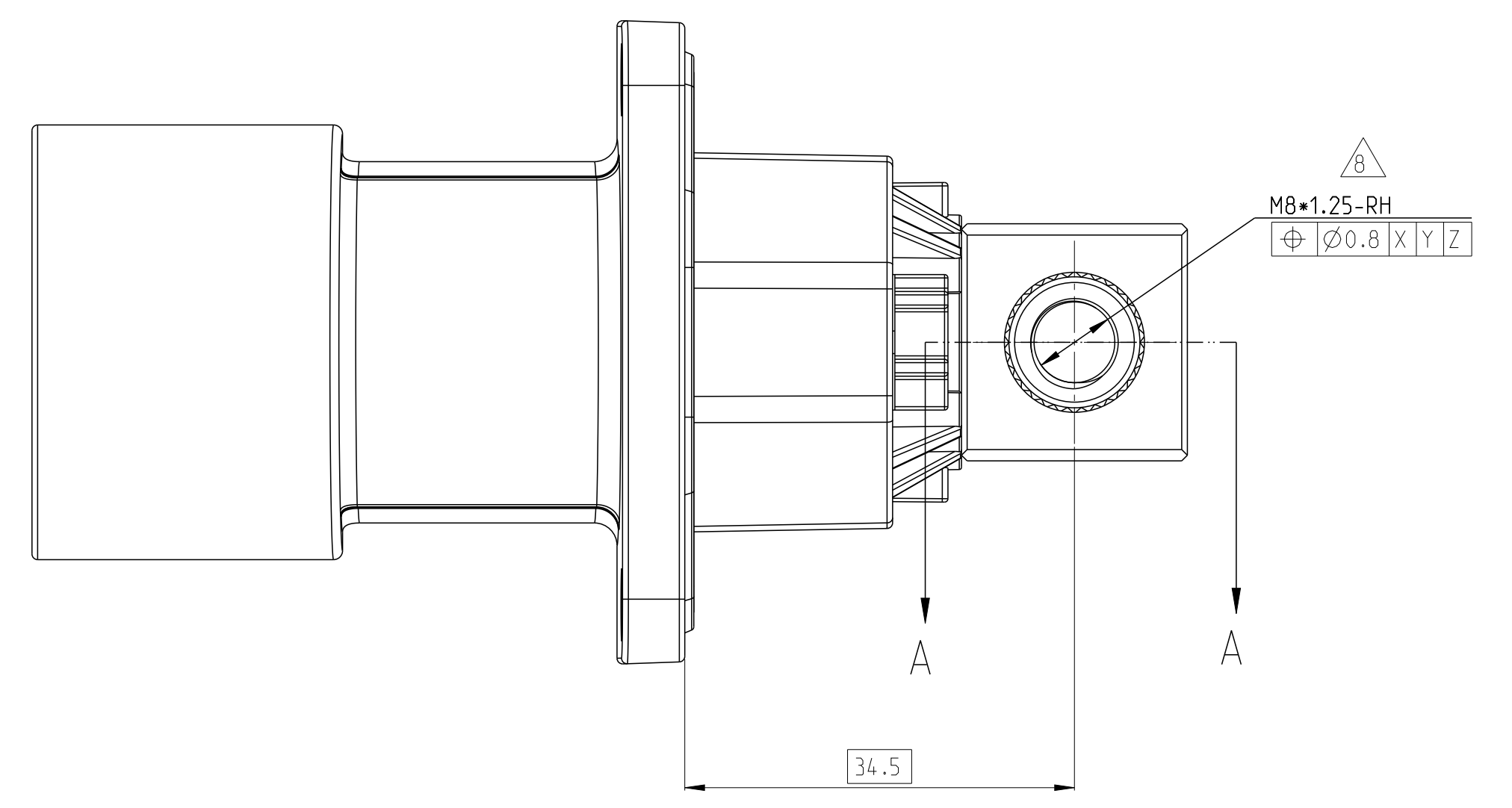
8--1 AS SHOWN

| | | | |
|--|------------------------------|-------------------|------------------|
| THIS DRAWING IS A CONTROLLED DOCUMENT. | | DATE: 29DEC2021 | REV: 1 |
| DRAWN BY: J.TAN | CHECKED BY: J.L.L. | DATE: 29DEC2021 | REV: 1 |
| APPROVED BY: J.TAN | DATE: 29DEC2021 | REV: 1 | |
| PRODUCT SPEC: 1408-160407 | APPLICATION SPEC: 114-160222 | WEIGHT: SEE TABLE | CUSTOMER DRAWING |
| MATERIAL: SEE TABLE | | SCALE: 2:1 | SHEET 1 OF 5 |

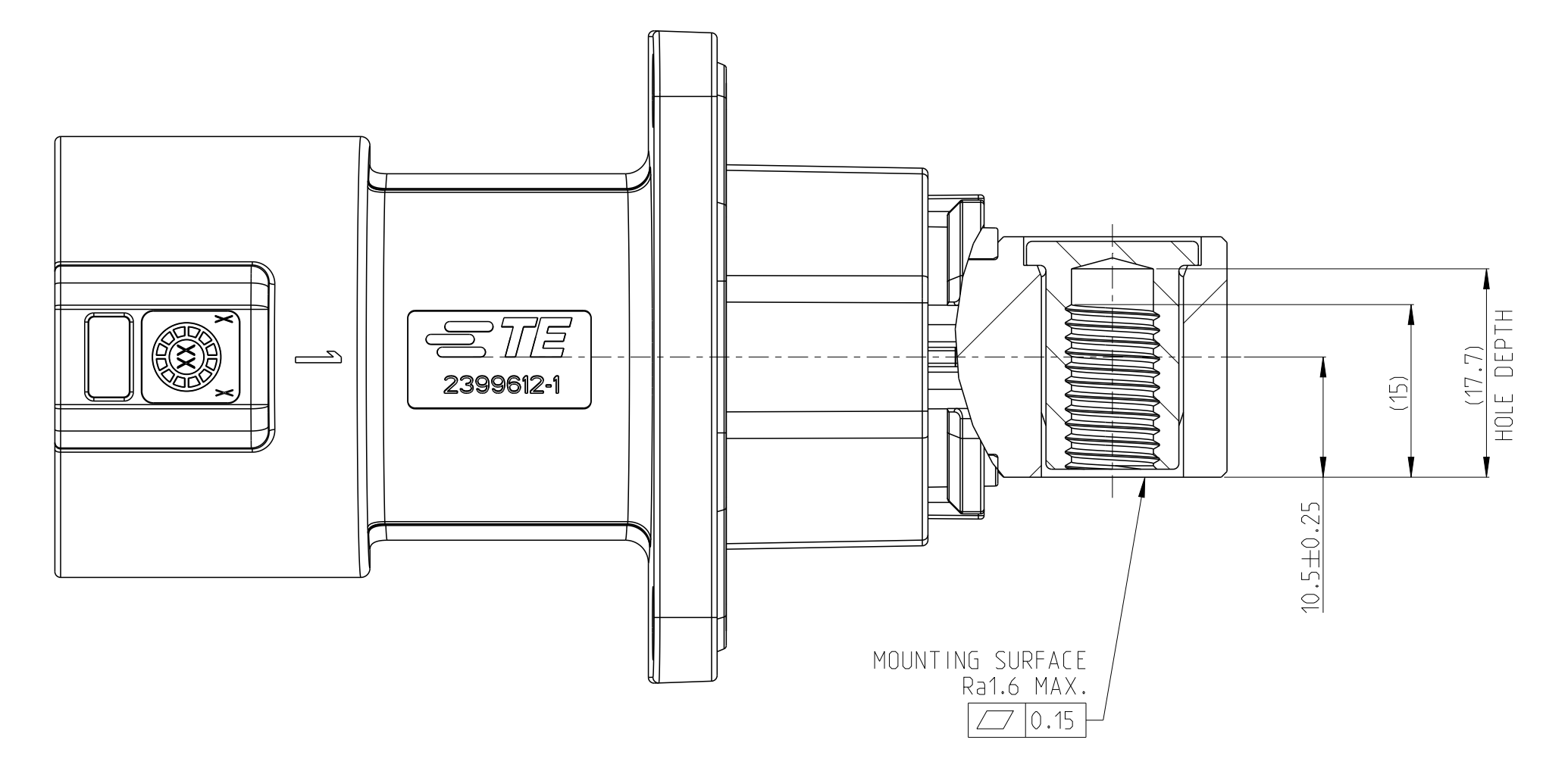
| REVISIONS | | | |
|-----------|-------------|----|------|
| REV | DATE | BY | APPD |
| - | SEE SHEET 1 | - | - |



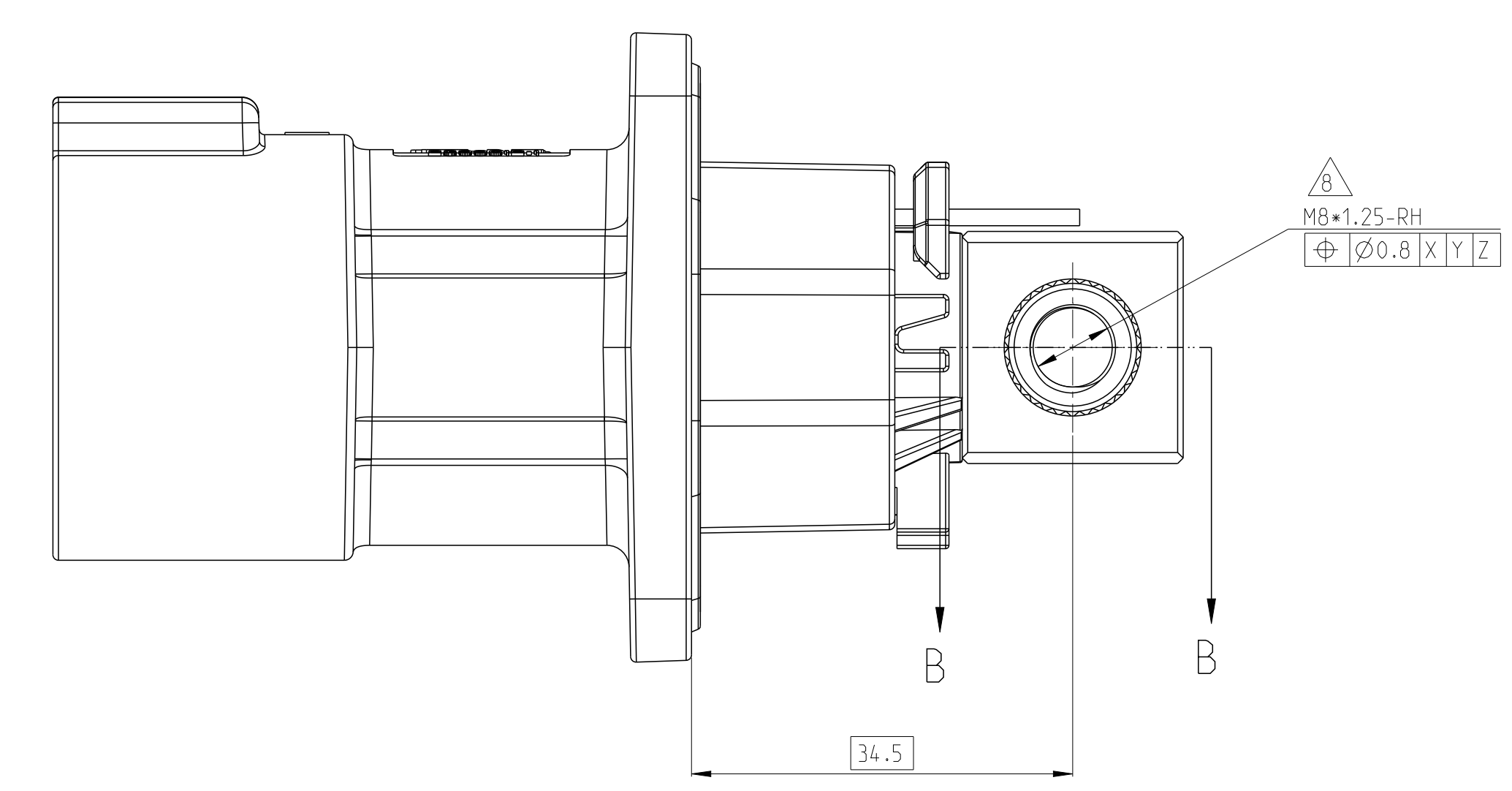
SECTION A-A



1. MISSING DIMENSIONS ACC. TO 8-2399606-1



SECTION B-B



1. MISSING DIMENSIONS ACC. TO 8-2399606-1

| TE-ASSY-NO | TE REV. | CODE | DESCRIPTION | DESCRIPTION | CODE | MATERIAL | SURFACE COLOR / TREATMENT | WEIGHT (g) | QTY | ITEM |
|-------------|---------|------|-----------------------------------|--|------|----------|---------------------------|------------|-----|------|
| 1-2399606-3 | E | M | 1POS.PIN DIA 14.0 HDR ASSY.180DEG | CODE HOUSING FOLLOW 2399606-1 | M | PA10T-GF | AQUA RED | (245) | 1 | 7 |
| 1-2399606-2 | E | L | 1POS.PIN DIA 14.0 HDR ASSY.180DEG | CODE HOUSING FOLLOW 2399606-1 | L | PA10T-GF | AQUA BROWN | (245) | 1 | 7 |
| 1-2399606-1 | E | K | 1POS.PIN DIA 14.0 HDR ASSY.180DEG | CODE HOUSING FOLLOW 2399606-1 | K | PA10T-GF | AQUA GREEN | (245) | 1 | 7 |
| 2399606-9 | E | J | 1POS.PIN DIA 14.0 HDR ASSY.180DEG | CODE HOUSING FOLLOW 2399606-1 | J | PA10T-GF | ORANGE | (245) | 1 | 7 |
| 2399606-8 | E | H | 1POS.PIN DIA 14.0 HDR ASSY.180DEG | CODE HOUSING FOLLOW 2399606-1 | H | PA10T-GF | YELLOW | (245) | 1 | 7 |
| 2399606-7 | E | G | 1POS.PIN DIA 14.0 HDR ASSY.180DEG | CODE HOUSING FOLLOW 2399606-1 | G | PA10T-GF | RED | (245) | 1 | 7 |
| 2399606-6 | E | F | 1POS.PIN DIA 14.0 HDR ASSY.180DEG | CODE HOUSING FOLLOW 2399606-1 | F | PA10T-GF | BROWN | (245) | 1 | 7 |
| 2399606-5 | E | E | 1POS.PIN DIA 14.0 HDR ASSY.180DEG | CODE HOUSING FOLLOW 2399606-1 | E | PA10T-GF | GREEN | (245) | 1 | 7 |
| 2399606-4 | E | D | 1POS.PIN DIA 14.0 HDR ASSY.180DEG | CODE HOUSING FOLLOW 2399606-1 | D | PA10T-GF | PURPLE | (245) | 1 | 7 |
| 2399606-3 | E | C | 1POS.PIN DIA 14.0 HDR ASSY.180DEG | CODE HOUSING FOLLOW 2399606-1 | C | PA10T-GF | BLUE | (245) | 1 | 7 |
| 2399606-2 | E | B | 1POS.PIN DIA 14.0 HDR ASSY.180DEG | CODE HOUSING FOLLOW 2399606-1 | B | PA10T-GF | NATURE | (245) | 1 | 7 |
| 2399606-1 | E | A | 1POS.PIN DIA 14.0 HDR ASSY.180DEG | CODE HOUSING HVIL WIRELEONI MOCAR 180 E 0.550MM WHITE ACCORDING TO LV1121 WITH TERMINAL | A | PA10T-GF | BLACK | (245) | 1 | 7 |
| | | | | FACE SEAL | | SILICONE | RED | | 2 | 6 |
| | | | | BUSBAR, FRONT SIDE | | | | | 1 | 5 |
| | | | | HEADER TPA | | PA66-GF | RED | | 1 | 4 |
| | | | | FINGER PROTECTION CAP | | PA66-GF | BLACK | | 1 | 3 |
| | | | | HEADER HOUSING 180DEG.1POS | | AL-ALLOY | PASSIVATION | | 1 | 2 |
| | | | | | | | | | 1 | 1 |

| TE-ASSY-NO | TE REV. | CODE | DESCRIPTION | DESCRIPTION | CODE | MATERIAL | SURFACE COLOR / TREATMENT | WEIGHT (g) | QTY | ITEM |
|-------------|---------|------|-----------------------------------|--|------|----------|---------------------------|------------|-----|------|
| 3-2399606-3 | E | M | 1POS.PIN DIA 14.0 HDR ASSY.180DEG | CODE HOUSING FOLLOW 2-2399606-1 | M | PA10T-GF | AQUA RED | (245) | 1 | 7 |
| 3-2399606-2 | E | L | 1POS.PIN DIA 14.0 HDR ASSY.180DEG | CODE HOUSING FOLLOW 2-2399606-1 | L | PA10T-GF | AQUA BROWN | (245) | 1 | 7 |
| 3-2399606-1 | E | K | 1POS.PIN DIA 14.0 HDR ASSY.180DEG | CODE HOUSING FOLLOW 2-2399606-1 | K | PA10T-GF | AQUA GREEN | (245) | 1 | 7 |
| 2-2399606-9 | E | J | 1POS.PIN DIA 14.0 HDR ASSY.180DEG | CODE HOUSING FOLLOW 2-2399606-1 | J | PA10T-GF | ORANGE | (245) | 1 | 7 |
| 2-2399606-8 | E | H | 1POS.PIN DIA 14.0 HDR ASSY.180DEG | CODE HOUSING FOLLOW 2-2399606-1 | H | PA10T-GF | YELLOW | (245) | 1 | 7 |
| 2-2399606-7 | E | G | 1POS.PIN DIA 14.0 HDR ASSY.180DEG | CODE HOUSING FOLLOW 2-2399606-1 | G | PA10T-GF | RED | (245) | 1 | 7 |
| 2-2399606-6 | E | F | 1POS.PIN DIA 14.0 HDR ASSY.180DEG | CODE HOUSING FOLLOW 2-2399606-1 | F | PA10T-GF | BROWN | (245) | 1 | 7 |
| 2-2399606-5 | E | E | 1POS.PIN DIA 14.0 HDR ASSY.180DEG | CODE HOUSING FOLLOW 2-2399606-1 | E | PA10T-GF | GREEN | (245) | 1 | 7 |
| 2-2399606-4 | E | D | 1POS.PIN DIA 14.0 HDR ASSY.180DEG | CODE HOUSING FOLLOW 2-2399606-1 | D | PA10T-GF | PURPLE | (245) | 1 | 7 |
| 2-2399606-3 | E | C | 1POS.PIN DIA 14.0 HDR ASSY.180DEG | CODE HOUSING FOLLOW 2-2399606-1 | C | PA10T-GF | BLUE | (245) | 1 | 7 |
| 2-2399606-2 | E | B | 1POS.PIN DIA 14.0 HDR ASSY.180DEG | CODE HOUSING FOLLOW 2-2399606-1 | B | PA10T-GF | NATURE | (245) | 1 | 7 |
| 2-2399606-1 | E | A | 1POS.PIN DIA 14.0 HDR ASSY.180DEG | CODE HOUSING HVIL WIRELEONI MOCAR 180 E 0.550MM WHITE ACCORDING TO LV1121 WITH TERMINAL | A | PA10T-GF | BLACK | (245) | 1 | 7 |
| | | | | FACE SEAL | | SILICONE | RED | | 2 | 6 |
| | | | | BUSBAR, RIGHT SIDE | | | | | 1 | 5 |
| | | | | HEADER TPA | | PA66-GF | RED | | 1 | 4 |
| | | | | FINGER PROTECTION CAP | | PA66-GF | BLACK | | 1 | 3 |
| | | | | HEADER HOUSING 180DEG.1POS | | AL-ALLOY | PASSIVATION | | 1 | 2 |
| | | | | | | | | | 1 | 1 |

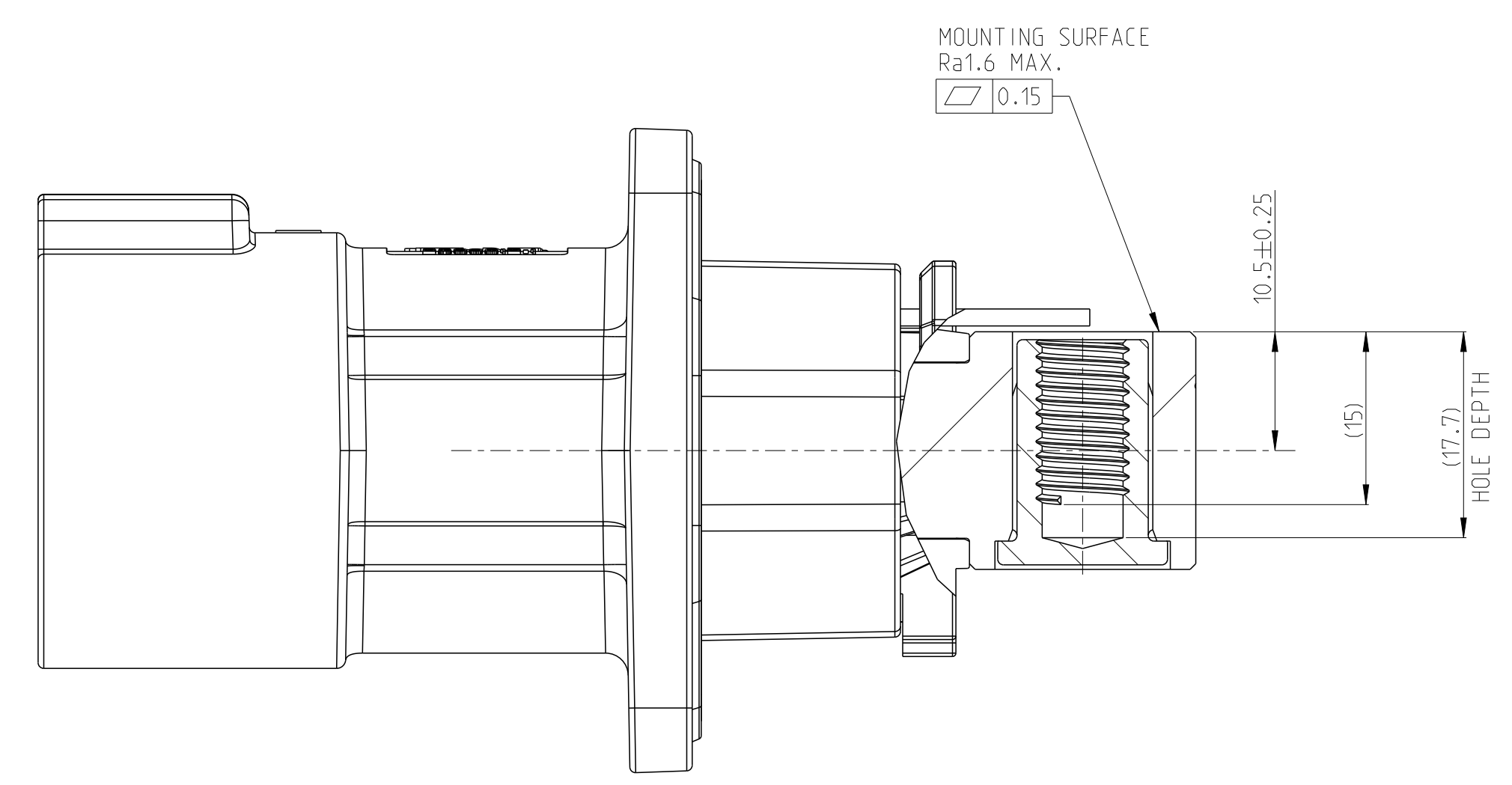
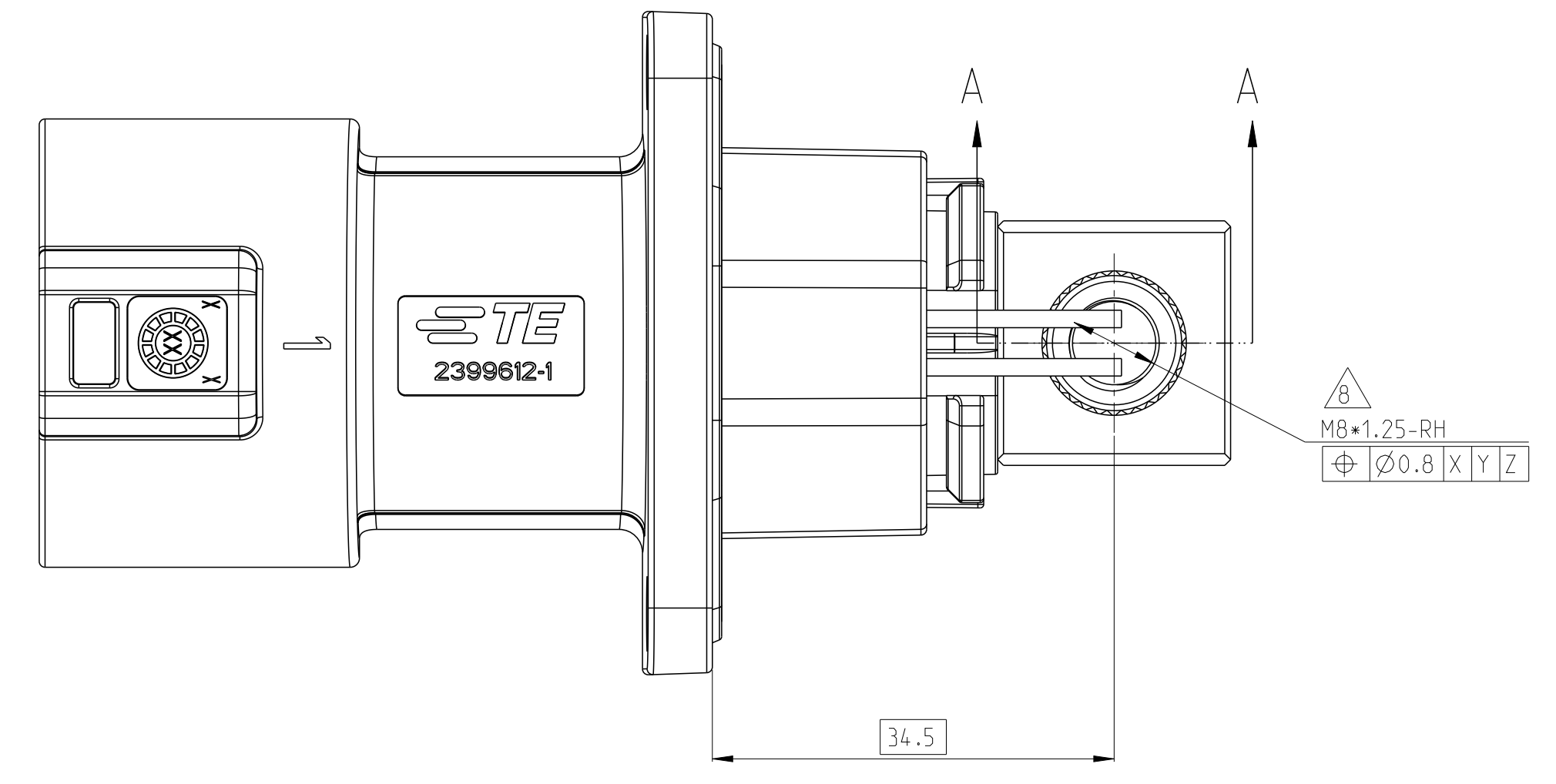
THIS DRAWING IS A CONTROLLED DOCUMENT. DATE 29DEC2021

TE Connectivity

1POS.PIN DIA 14.0 HDR ASSY.180DEG
HVP-HD14.00

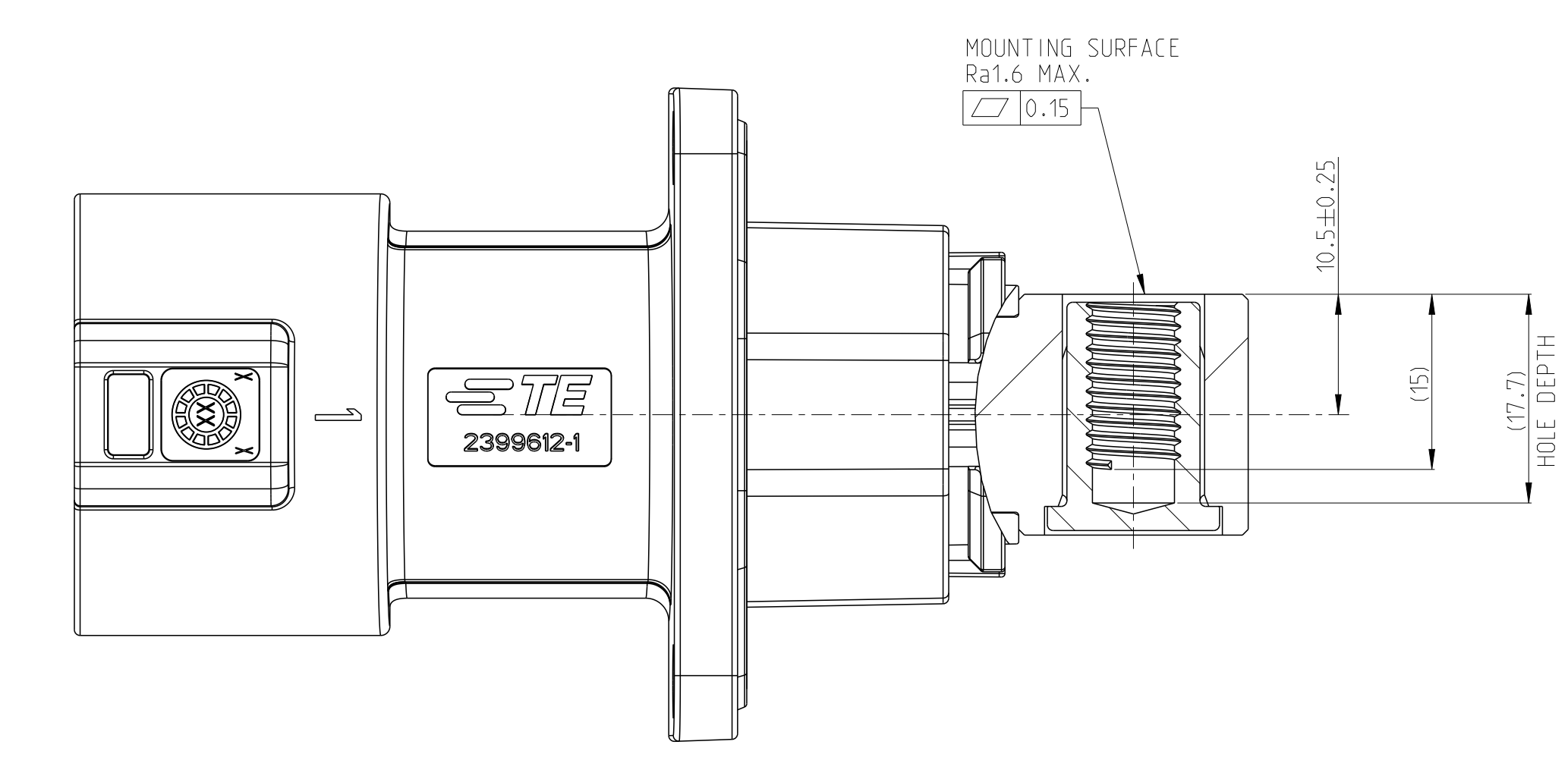
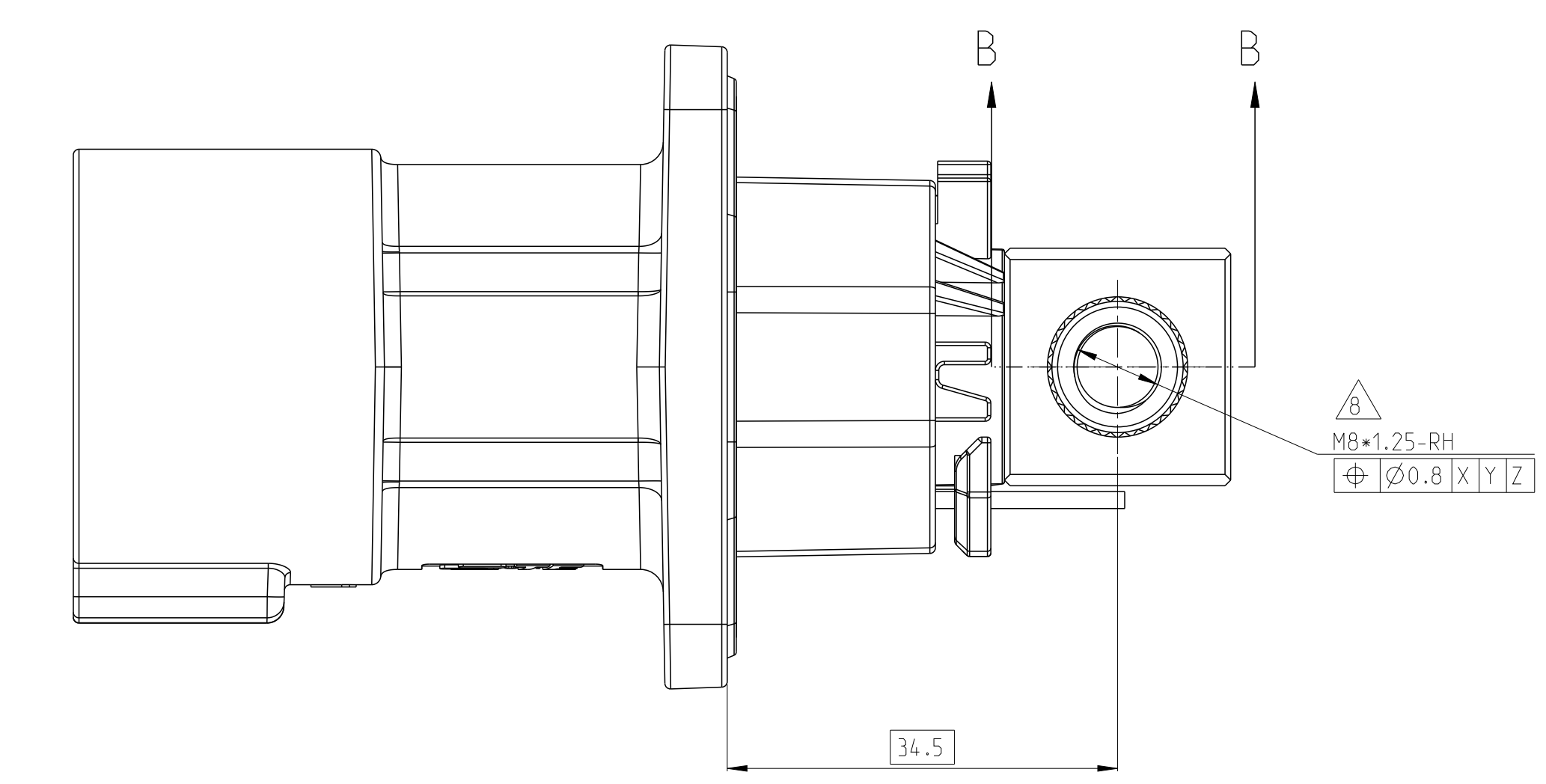
SCALE 2:1 SHEET 2 OF 5

| REVISIONS | | | |
|-----------|-------------|----|------|
| REV | DATE | BY | APPD |
| - | SEE SHEET 1 | - | - |



SECTION A-A

1. MISSING DIMENSIONS ACC. TO 8-2399606-1



SECTION B-B

1. MISSING DIMENSIONS ACC. TO 8-2399606-1

| TE ASSY-NO | TE REV. | CODE | DESCRIPTION | DESCRIPTION | CODE | MATERIAL | SURFACE COLOR / TREATMENT | WEIGHT (g) | QTY | ITEM |
|-------------|---------|------|-----------------------------------|--|------|--|---|------------|----------------------------|---------------------------------|
| 5-2399606-3 | E | M | 1POS,PIN DIA 14.0 HDR ASSY,180DEG | CODE HOUSING FOLLOW 4-2399606-1 | M | PA10T-GF | AQUA RED | (245) | 1 | 7 |
| 5-2399606-2 | E | L | 1POS,PIN DIA 14.0 HDR ASSY,180DEG | CODE HOUSING FOLLOW 4-2399606-1 | L | PA10T-GF | AQUA BROWN | (245) | 1 | 7 |
| 5-2399606-1 | E | K | 1POS,PIN DIA 14.0 HDR ASSY,180DEG | CODE HOUSING FOLLOW 4-2399606-1 | K | PA10T-GF | AQUA GREEN | (245) | 1 | 7 |
| 4-2399606-9 | E | J | 1POS,PIN DIA 14.0 HDR ASSY,180DEG | CODE HOUSING FOLLOW 4-2399606-1 | J | PA10T-GF | ORANGE | (245) | 1 | 7 |
| 4-2399606-8 | E | H | 1POS,PIN DIA 14.0 HDR ASSY,180DEG | CODE HOUSING FOLLOW 4-2399606-1 | H | PA10T-GF | YELLOW | (245) | 1 | 7 |
| 4-2399606-7 | E | G | 1POS,PIN DIA 14.0 HDR ASSY,180DEG | CODE HOUSING FOLLOW 4-2399606-1 | G | PA10T-GF | RED | (245) | 1 | 7 |
| 4-2399606-6 | E | F | 1POS,PIN DIA 14.0 HDR ASSY,180DEG | CODE HOUSING FOLLOW 4-2399606-1 | F | PA10T-GF | BROWN | (245) | 1 | 7 |
| 4-2399606-5 | E | E | 1POS,PIN DIA 14.0 HDR ASSY,180DEG | CODE HOUSING FOLLOW 4-2399606-1 | E | PA10T-GF | GREEN | (245) | 1 | 7 |
| 4-2399606-4 | E | D | 1POS,PIN DIA 14.0 HDR ASSY,180DEG | CODE HOUSING FOLLOW 4-2399606-1 | D | PA10T-GF | PURPLE | (245) | 1 | 7 |
| 4-2399606-3 | E | C | 1POS,PIN DIA 14.0 HDR ASSY,180DEG | CODE HOUSING FOLLOW 4-2399606-1 | C | PA10T-GF | BLUE | (245) | 1 | 7 |
| 4-2399606-2 | E | B | 1POS,PIN DIA 14.0 HDR ASSY,180DEG | CODE HOUSING FOLLOW 4-2399606-1 | B | PA10T-GF | NATURE | (245) | 1 | 7 |
| 4-2399606-1 | E | A | 1POS,PIN DIA 14.0 HDR ASSY,180DEG | CODE HOUSING HVHL WIRE(LEAD) MOCAR 180 E 0.550MM,WHITE ACCORDING TO LV112) WITH TERMINAL FACE SEAL BUSBAR, BACK SIDE HEADER TPA FINGER PROTECTION CAP HEADER HOUSING 180DEG,1POS | A | PA10T-GF - SILICONE - PA66-GF - AL-ALLOY | BLACK - RED - RED BLACK PASSIVATION | (245) | 1 2 1 1 1 1 | 7 6 5 4 3 2 1 |

| TE ASSY-NO | TE REV. | CODE | DESCRIPTION | DESCRIPTION | CODE | MATERIAL | SURFACE COLOR / TREATMENT | WEIGHT (g) | QTY | ITEM |
|-------------|---------|------|-----------------------------------|--|------|--|---|------------|----------------------------|---------------------------------|
| 7-2399606-3 | E | M | 1POS,PIN DIA 14.0 HDR ASSY,180DEG | CODE HOUSING FOLLOW 6-2399606-1 | M | PA10T-GF | AQUA RED | (245) | 1 | 7 |
| 7-2399606-2 | E | L | 1POS,PIN DIA 14.0 HDR ASSY,180DEG | CODE HOUSING FOLLOW 6-2399606-1 | L | PA10T-GF | AQUA BROWN | (245) | 1 | 7 |
| 7-2399606-1 | E | K | 1POS,PIN DIA 14.0 HDR ASSY,180DEG | CODE HOUSING FOLLOW 6-2399606-1 | K | PA10T-GF | AQUA GREEN | (245) | 1 | 7 |
| 6-2399606-9 | E | J | 1POS,PIN DIA 14.0 HDR ASSY,180DEG | CODE HOUSING FOLLOW 6-2399606-1 | J | PA10T-GF | ORANGE | (245) | 1 | 7 |
| 6-2399606-8 | E | H | 1POS,PIN DIA 14.0 HDR ASSY,180DEG | CODE HOUSING FOLLOW 6-2399606-1 | H | PA10T-GF | YELLOW | (245) | 1 | 7 |
| 6-2399606-7 | E | G | 1POS,PIN DIA 14.0 HDR ASSY,180DEG | CODE HOUSING FOLLOW 6-2399606-1 | G | PA10T-GF | RED | (245) | 1 | 7 |
| 6-2399606-6 | E | F | 1POS,PIN DIA 14.0 HDR ASSY,180DEG | CODE HOUSING FOLLOW 6-2399606-1 | F | PA10T-GF | BROWN | (245) | 1 | 7 |
| 6-2399606-5 | E | E | 1POS,PIN DIA 14.0 HDR ASSY,180DEG | CODE HOUSING FOLLOW 6-2399606-1 | E | PA10T-GF | GREEN | (245) | 1 | 7 |
| 6-2399606-4 | E | D | 1POS,PIN DIA 14.0 HDR ASSY,180DEG | CODE HOUSING FOLLOW 6-2399606-1 | D | PA10T-GF | PURPLE | (245) | 1 | 7 |
| 6-2399606-3 | E | C | 1POS,PIN DIA 14.0 HDR ASSY,180DEG | CODE HOUSING FOLLOW 6-2399606-1 | C | PA10T-GF | BLUE | (245) | 1 | 7 |
| 6-2399606-2 | E | B | 1POS,PIN DIA 14.0 HDR ASSY,180DEG | CODE HOUSING FOLLOW 6-2399606-1 | B | PA10T-GF | NATURE | (245) | 1 | 7 |
| 6-2399606-1 | E | A | 1POS,PIN DIA 14.0 HDR ASSY,180DEG | CODE HOUSING HVHL WIRE(LEAD) MOCAR 180 E 0.550MM,WHITE ACCORDING TO LV112) WITH TERMINAL FACE SEAL BUSBAR, LEFT SIDE HEADER TPA FINGER PROTECTION CAP HEADER HOUSING 180DEG,1POS | A | PA10T-GF - SILICONE - PA66-GF - AL-ALLOY | BLACK - RED - RED BLACK PASSIVATION | (245) | 1 2 1 1 1 1 | 7 6 5 4 3 2 1 |

THIS DRAWING IS A CONTROLLED DOCUMENT.

DATE: 29DEC2021
 DRAWN BY: S.TAN
 CHECKED BY: J.L.L.
 APPROVED BY: J.L.YIN

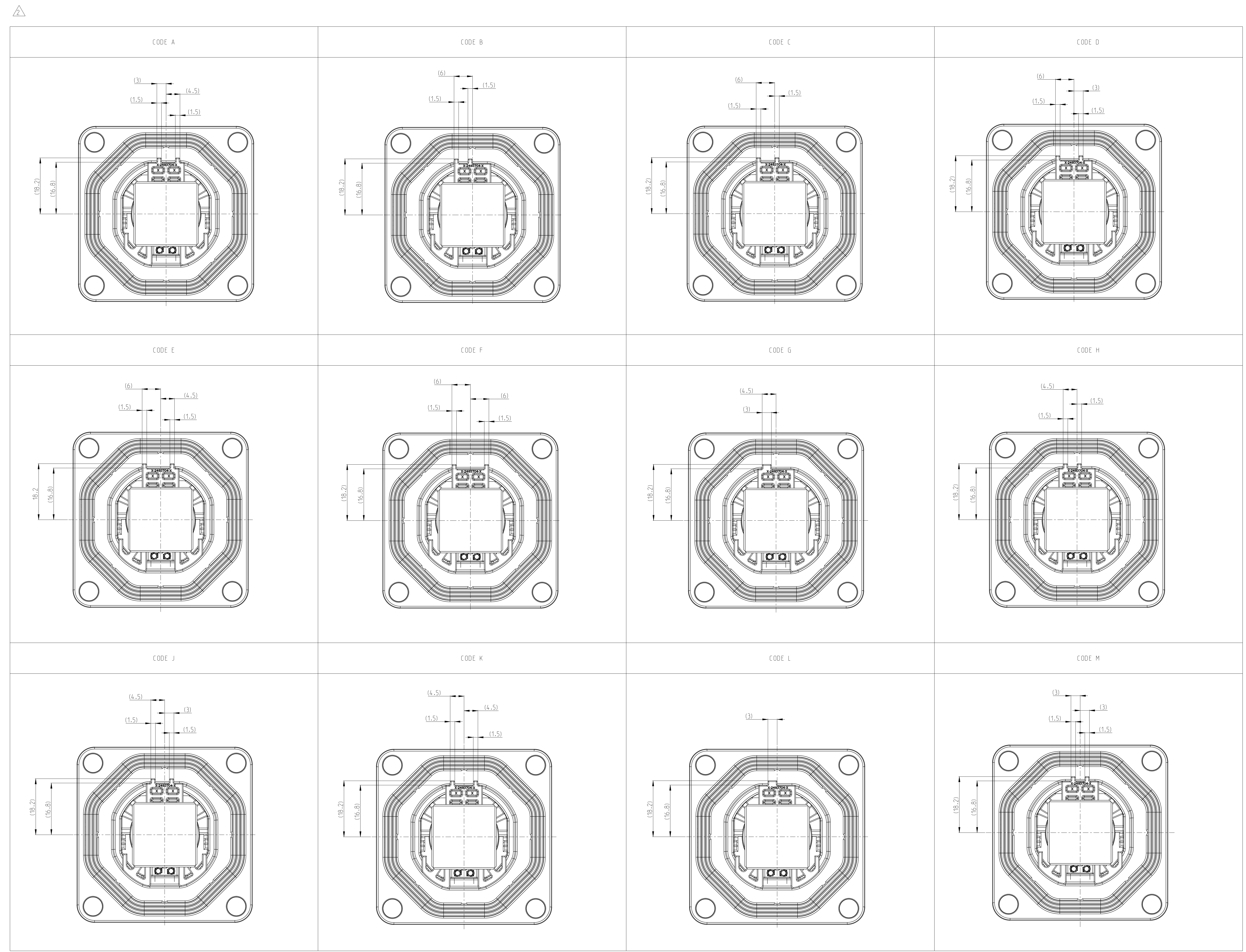
TE Connectivity

NAME: 1POS,PIN DIA 14.0 HDR ASSY,180DEG
 HVP-HD14.00

PRODUCT SPEC: 108-160407
 APPLICATION SPEC: 114-160222

SCALE: 2:1
 SHEET: 3 OF 5
 REV: E

| REVISIONS | | | | |
|-----------|----|-------------|------|------|
| P | LV | DESCRIPTION | DATE | APPD |
| - | - | SEE SHEET 1 | - | - |
| | | | | |
| | | | | |



THIS DRAWING IS A CONTROLLED DOCUMENT.

| | | | |
|------|-----------|------------|-------|
| DATE | 29DEC2021 | BY | S.TAN |
| CHK | L.L. | APPD | J.YIN |
| REV | 1 | REVISED BY | J.YIN |

TE Connectivity

NAME: 1POS.PIN DIA 14.0.HDR ASSY.180DEG
HVP-HD14.00

PRODUCT SPEC: 108-1604.07
APPLICATION SPEC: 114-160222

SCALE: 2:1 SHEET 6 OF 5

RESTRICTED TO: -

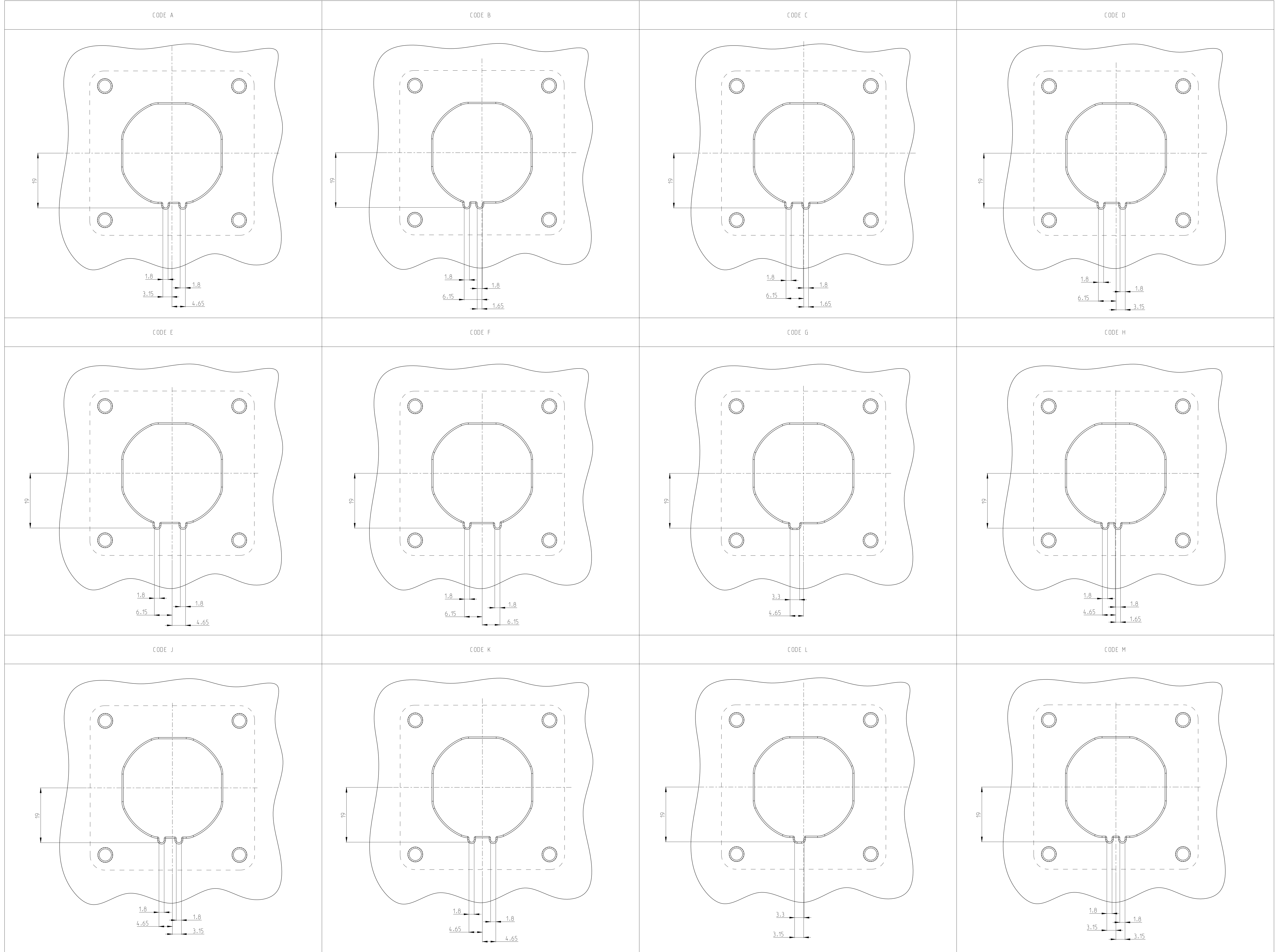
DATE: 00779 ©=2399606

WEIGHT: SEE TABLE

FINISH: SPEC 2

CUSTOMER DRAWING

| REVISIONS | | | |
|-----------|-------------|----|------|
| REV | DATE | BY | APPD |
| - | SEE SHEET 1 | - | - |



| | | | | |
|--|--|--------------------------|------------------------------|-------------------|
| THIS DRAWING IS A CONTROLLED DOCUMENT. | | DATE: 29DEC2021 | BY: S.TAN | APPD: S.TAN |
| DIMENSIONS: UNLESS OTHERWISE SPECIFIED, DIMENSIONS ARE IN MILLIMETERS. | | DATE: 29DEC2021 | BY: L.L. | APPD: L.L. |
| MATERIAL: SEE TABLE | | PRODUCT SPEC: 108-160407 | APPLICATION SPEC: 104-160222 | WEIGHT: SEE TABLE |
| FINISH: SPEC 2 | | CUSTOMER DRAWING | | |
| SCALE: 2:1 | | SHEET 5 OF 5 | | |
| REV: F | | REV: F | | |



1POS.PIN DIA 14.0.HDR ASSY.180DEG
HVP-HD14.00

SIZE: A0 CASE CODE: 00779 DRAWING NO: 2399606