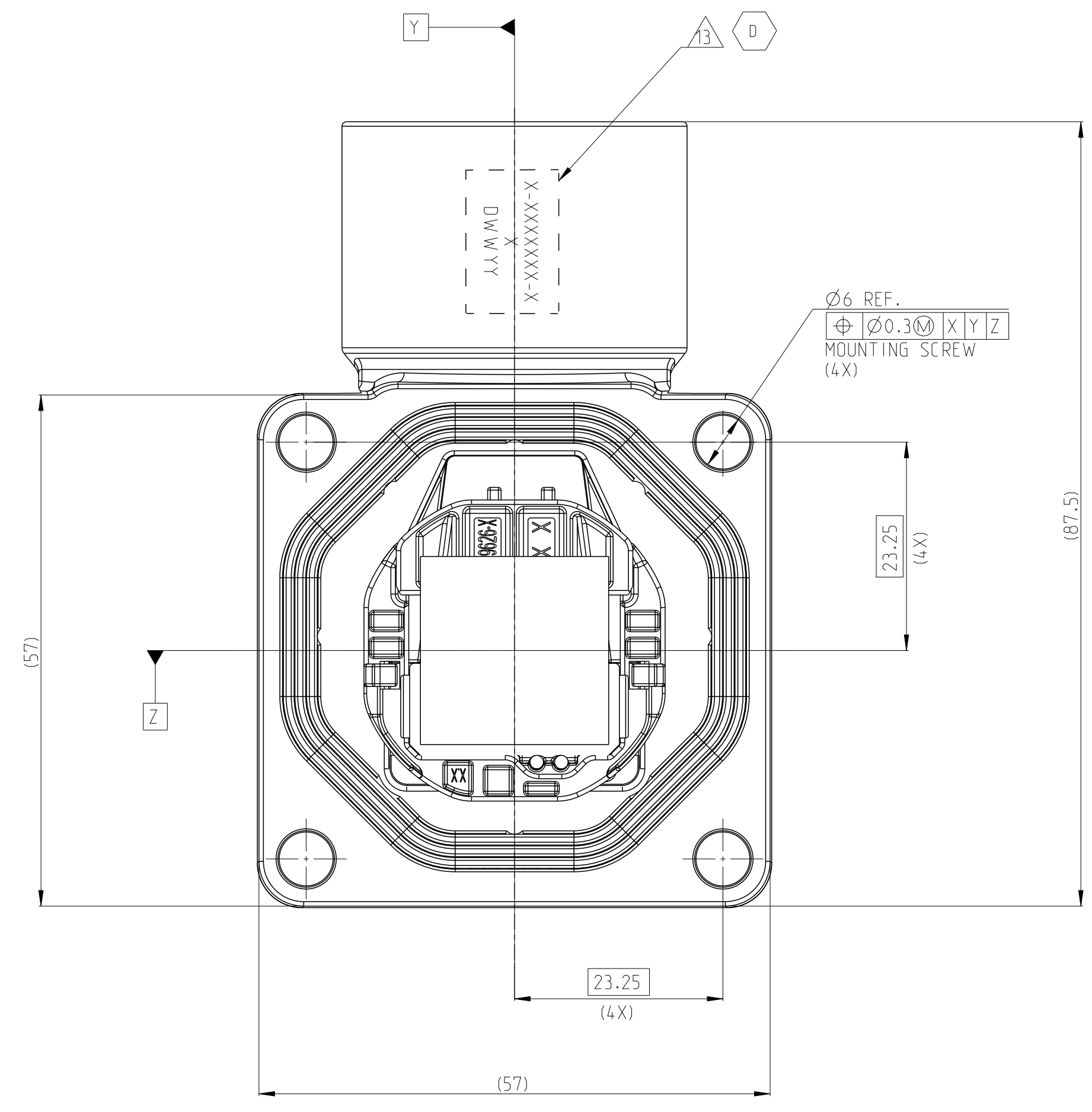
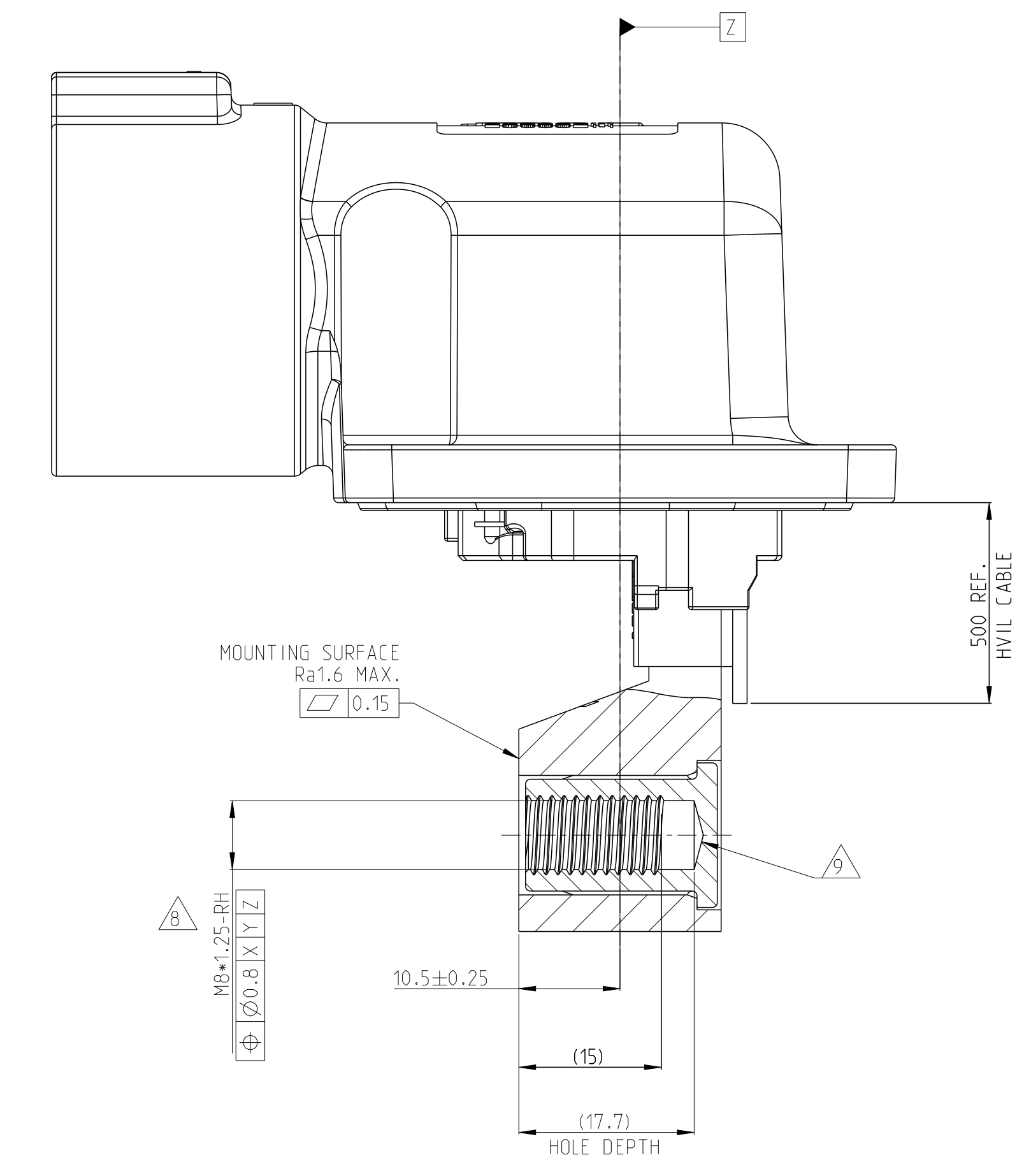
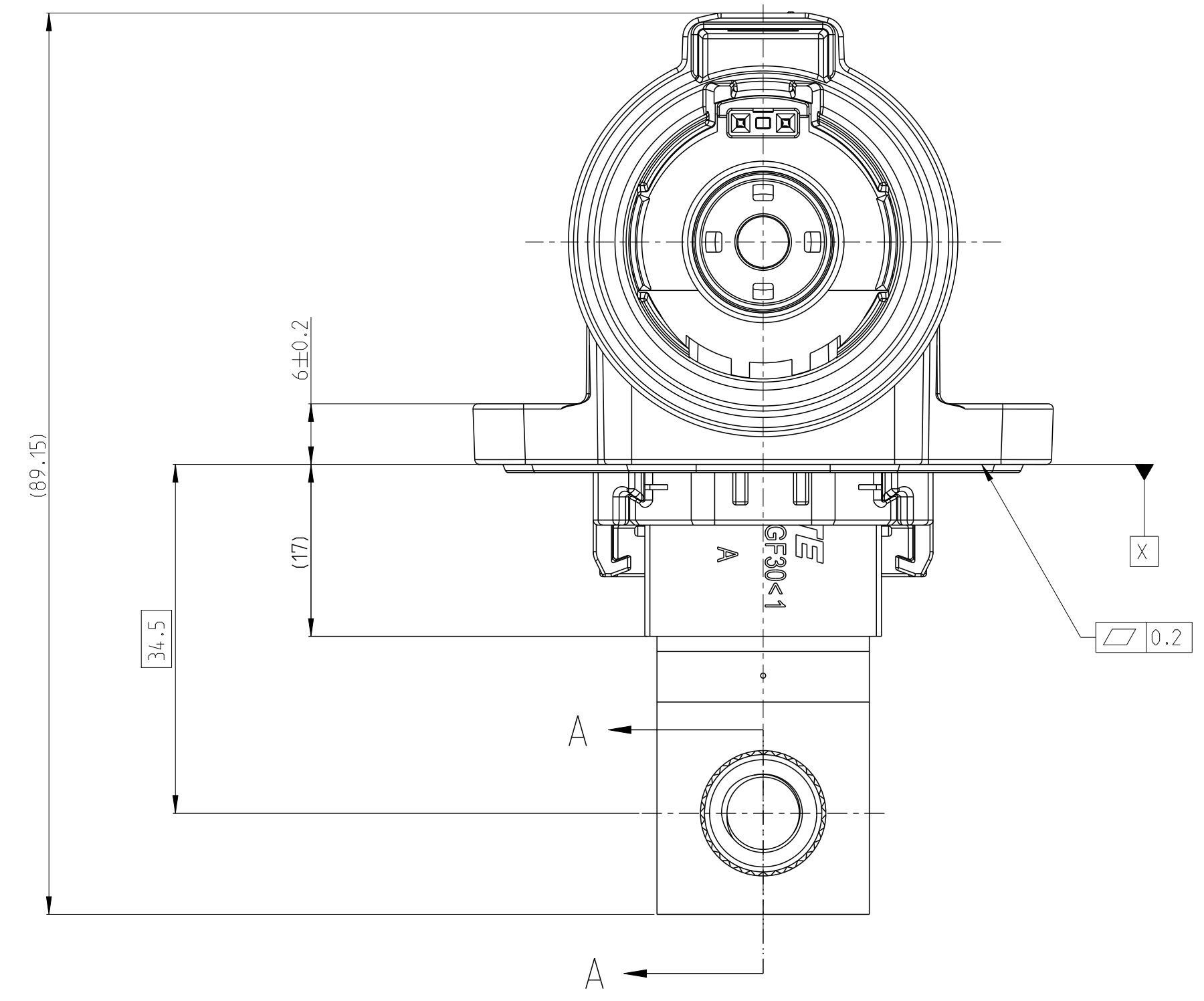
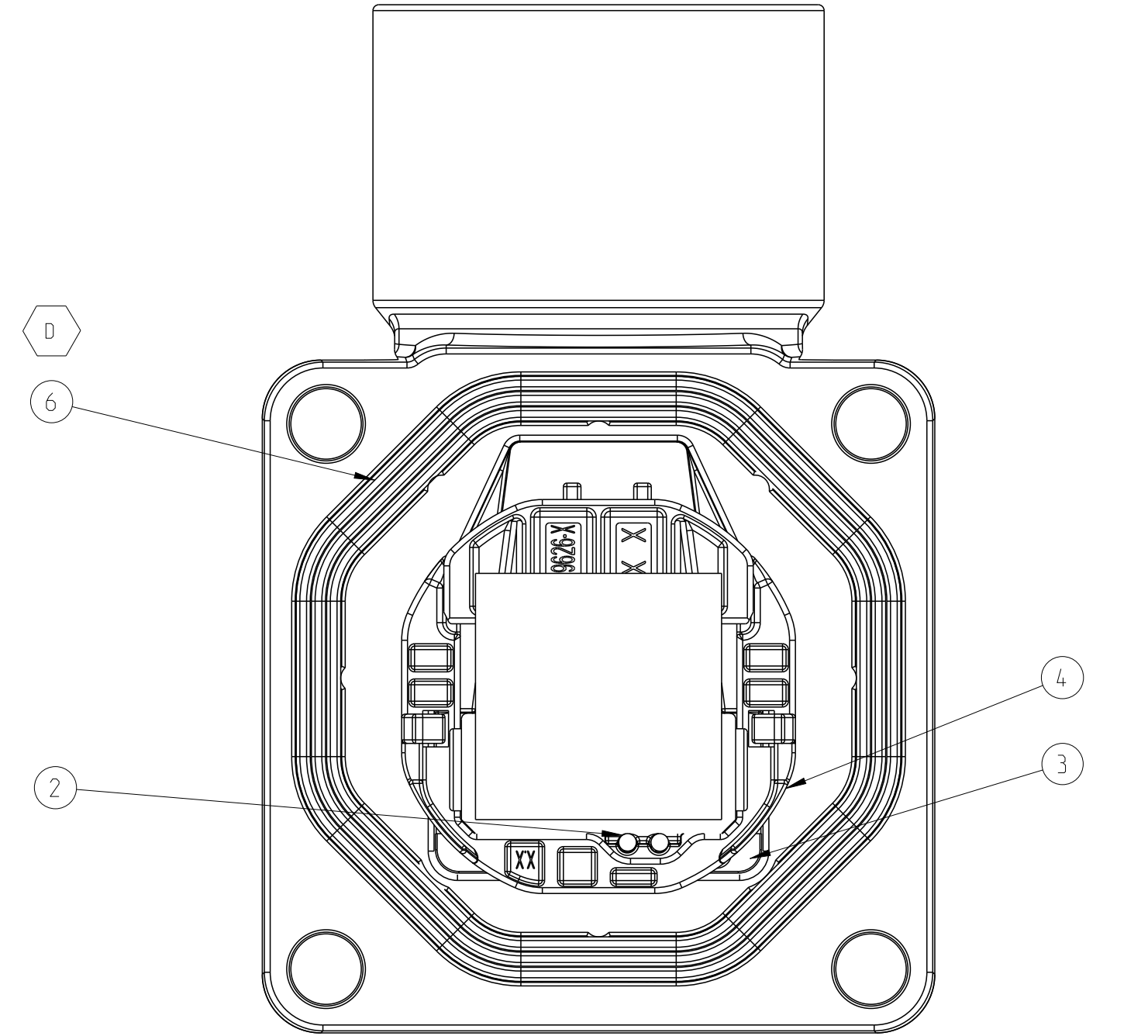
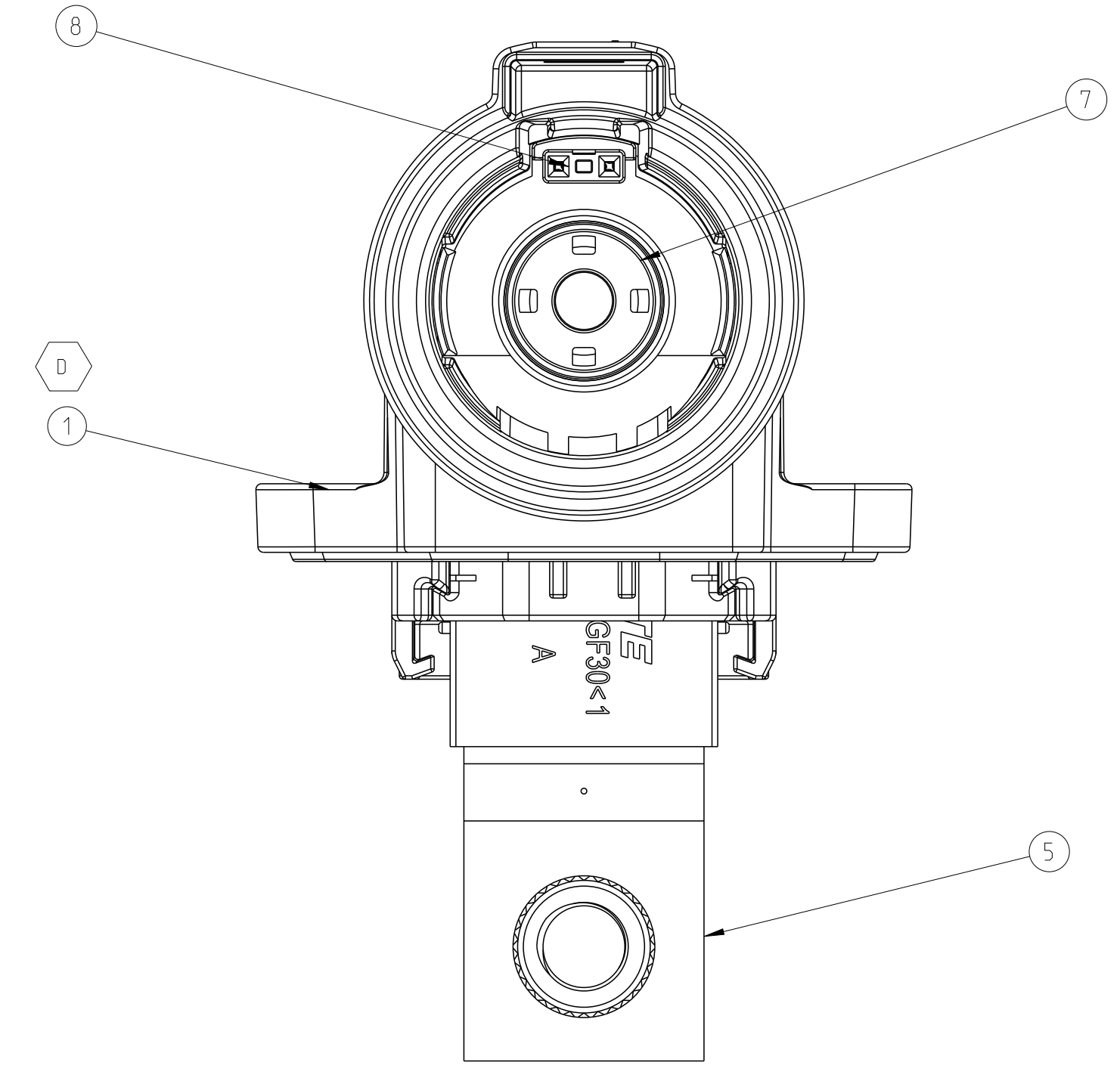
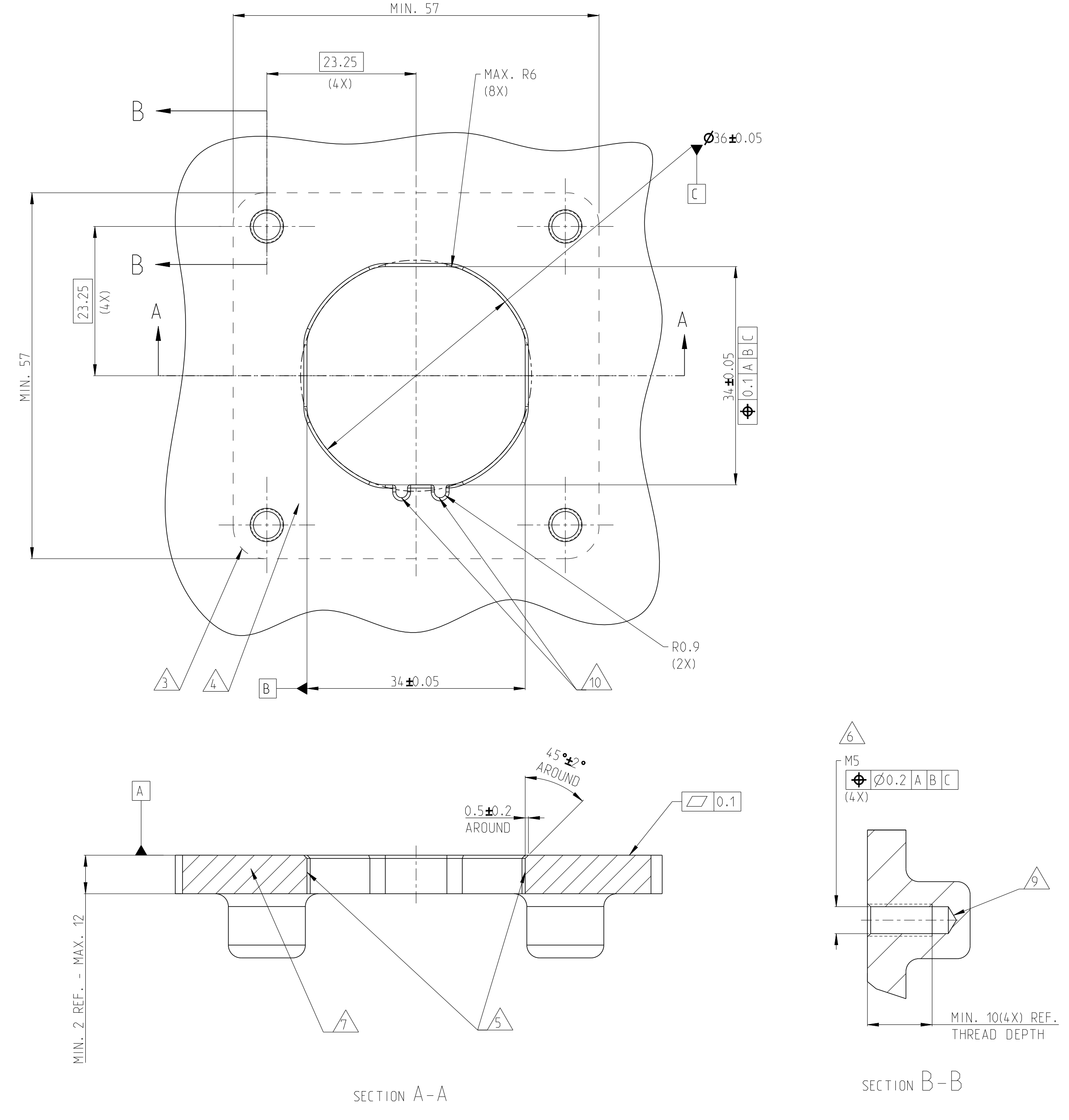


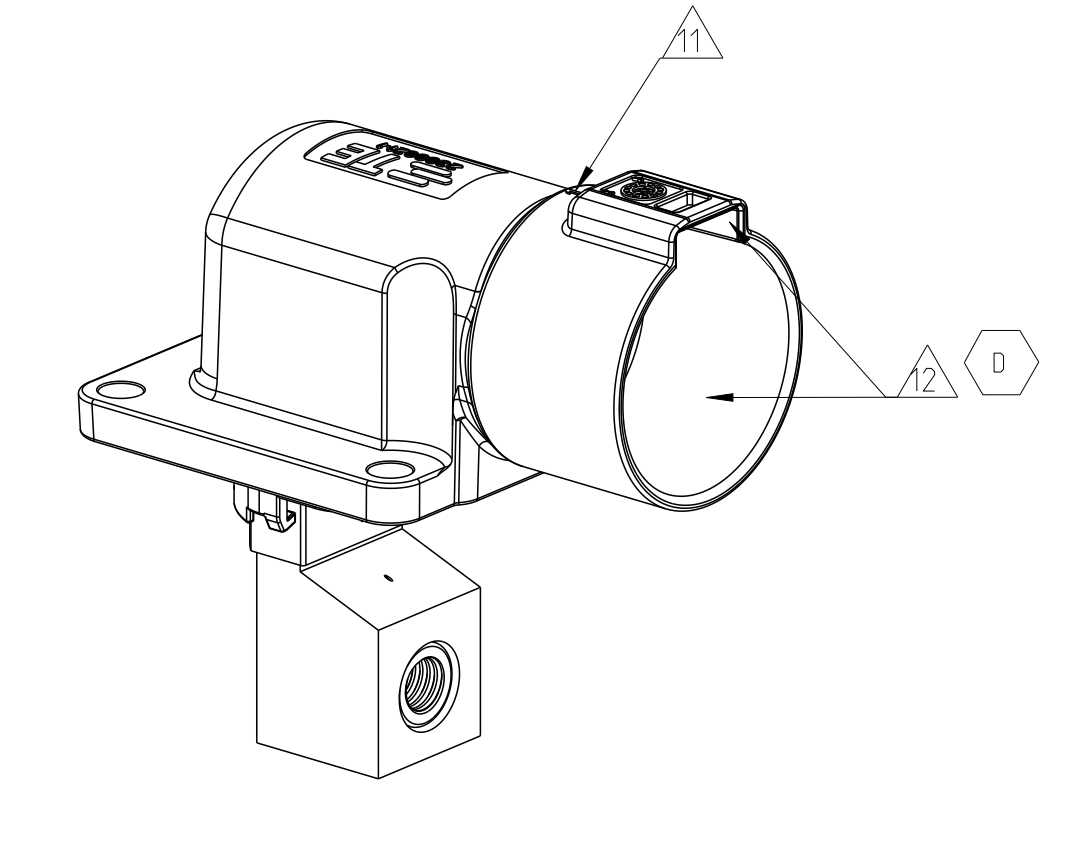
REVISIONS			
P	LTN	DESCRIPTION	DATE
A1		SCREW HOLE DIM. ADDED	18APR22 S.T 2.2
B		HEADER THREADED INSERT CHANGED AND CHAMFER ADDED LAP STRUCTURE CHANGED TO BE POSITIONED TO THE LEFT	30MAR23 S.T 2.2
C		CAP STRUCTURE CHANGED	31JAN24 S.T 2.2
D		PLATED HOLE COATING CHANGED; LUBRICANT ADDED TO THE OVER HOLES FACE SEAL AND THERMAL CONDUCTIVE PASTE APPLIED TO THE OVER HOLES	18MAR24 S.T 2.2



ADAPTER PLATE - HVP-HD1400 1POS HEADER INTERFACE



- 1. MATING CONNECTOR REFER TO DRAWING 2400957
- △ CODING VARIANT
- △ MOUNTING SPACE FOR HEADER
- △ SEALING AREA AND BURR TOOL PARTING, SHRINKAGE, CAVITIES AND GATE MARKS PERMITTED. SURFACE ROUGHNESS Ra<=1.6
- △ DRAFT ANGLE UP TO 0.5° PERMITTED
- D 6. MOUNTING SCREW MS (RECOMMENDED SCREW PLATING: ZINC-NICKEL) SCREW TYPE UP TO MANUFACTURER
- △ MATERIAL CORROSION RESISTANT. ELECTROCONDUCTIVE
- △ SCREW M5 FOR BUSBAR CONNECTION
- △ ALL THREAD HOLES ARE BLIND HOLES
- △ INTERFACE PANEL CODE SEE SHEET 5
- △ POSITION NUMBER
- D 7. LUBRICANT APPLIED ON THE RADIAL SEAL AREA AND CPA AREA
- D 8. ASSEMBLY PN: X-XXXXXX-X
ASSEMBLY REV.: X
DATE CODE: DWYY



SCALE 1:1

-1 AS SHOWN

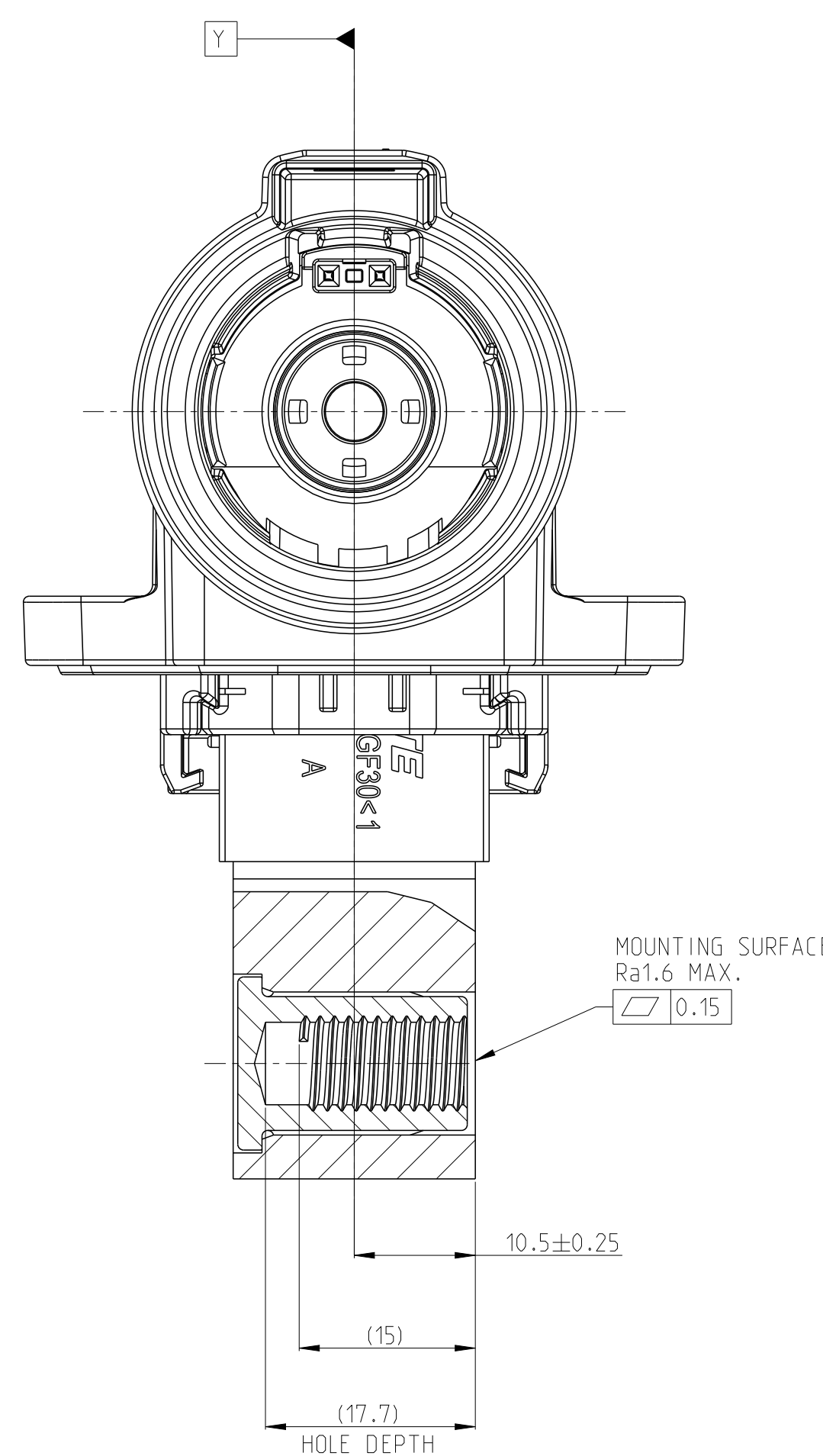
TE-ASSY-NQ	TE REV.	CODE	DESCRIPTION	DESCRIPTION	CODE	MATERIAL	SURFACE COLOR/TREATMENT	WEIGHT (g)	QTY	ITEM
1-2399609-3	D	M	1POS.PIN DIA 14.0 HDR ASSY.90DEG	CODE HOUSING FOLLOW 2399609-1	M	PA66-GF	AQUA RED	(315)	1	9
1-2399609-2	D	L	1POS.PIN DIA 14.0 HDR ASSY.90DEG	CODE HOUSING FOLLOW 2399609-1	L	PA66-GF	AQUA BROWN	(315)	1	9
1-2399609-1	D	K	1POS.PIN DIA 14.0 HDR ASSY.90DEG	CODE HOUSING FOLLOW 2399609-1	K	PA66-GF	AQUA GREEN	(315)	1	9
2399609-9	D	J	1POS.PIN DIA 14.0 HDR ASSY.90DEG	CODE HOUSING FOLLOW 2399609-1	J	PA66-GF	ORANGE	(315)	1	9
2399609-8	D	H	1POS.PIN DIA 14.0 HDR ASSY.90DEG	CODE HOUSING FOLLOW 2399609-1	H	PA66-GF	YELLOW	(315)	1	9
2399609-7	D	G	1POS.PIN DIA 14.0 HDR ASSY.90DEG	CODE HOUSING FOLLOW 2399609-1	G	PA66-GF	RED	(315)	1	9
2399609-6	D	F	1POS.PIN DIA 14.0 HDR ASSY.90DEG	CODE HOUSING FOLLOW 2399609-1	F	PA66-GF	BROWN	(315)	1	9
2399609-5	D	E	1POS.PIN DIA 14.0 HDR ASSY.90DEG	CODE HOUSING FOLLOW 2399609-1	E	PA66-GF	GREEN	(315)	1	9
2399609-4	D	D	1POS.PIN DIA 14.0 HDR ASSY.90DEG	CODE HOUSING FOLLOW 2399609-1	D	PA66-GF	PURPLE	(315)	1	9
2399609-3	D	C	1POS.PIN DIA 14.0 HDR ASSY.90DEG	CODE HOUSING FOLLOW 2399609-1	C	PA66-GF	BLUE	(315)	1	9
2399609-2	D	B	1POS.PIN DIA 14.0 HDR ASSY.90DEG	CODE HOUSING FOLLOW 2399609-1	B	PA66-GF	NATURE	(315)	1	9
2399609-1	D	A	1POS.PIN DIA 14.0 HDR ASSY.90DEG	CODE HOUSING	A	PA66-GF	BLACK	(315)	1	9
				HEADER TPA	-	PA66-GF	RED		1	8
				FINGER PROTECTION CAP	-	PA66-GF	BLACK		1	7
				FACE SEAL	-	SILICONE	RED		1	6
				BUSBAR OVERMOLD FRONT SIDE	-	-	-		1	5
				OUTER HOUSING	-	PA66-GF	BLACK		1	4
INNER HOUSING	-	PA66-GF	BLACK	1	3					
HWIL W/ HOLE DIM. MOD. CAR. RB. E. 0.55 COMM. WHITE ACCORDING TO LV1121 WITH TERMINAL	-	-	-	2	2					
HEADER HOUSING 90DEG. 1POS	-	AL-ALLOY	PASSIVATION	1	1					

THIS DRAWING IS A CONTROLLED DOCUMENT. DATE: 29DEC2021

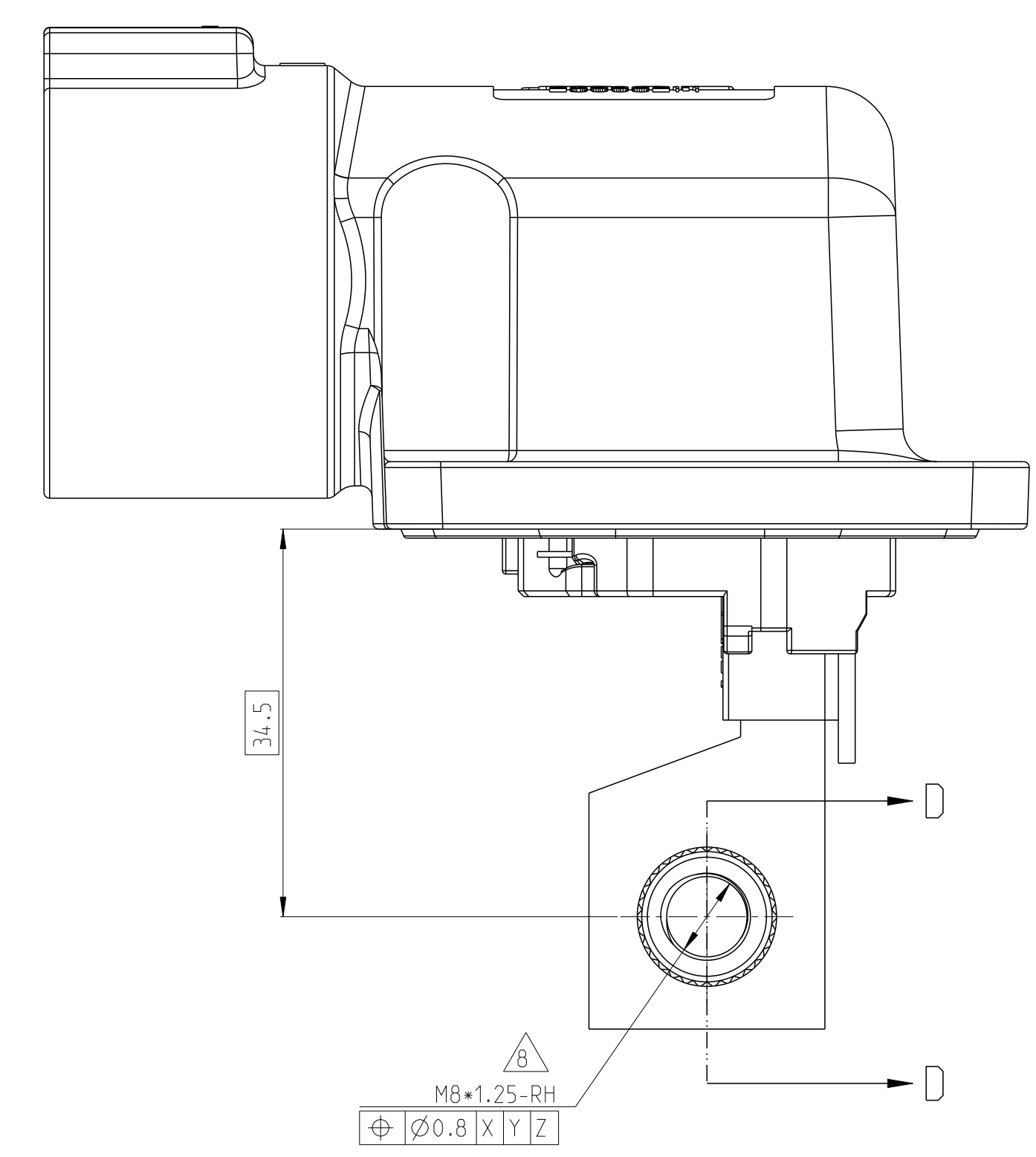
TE Connectivity

1POS.PIN DIA 14.0.HDR ASSY.90DEG HVP-HD1400

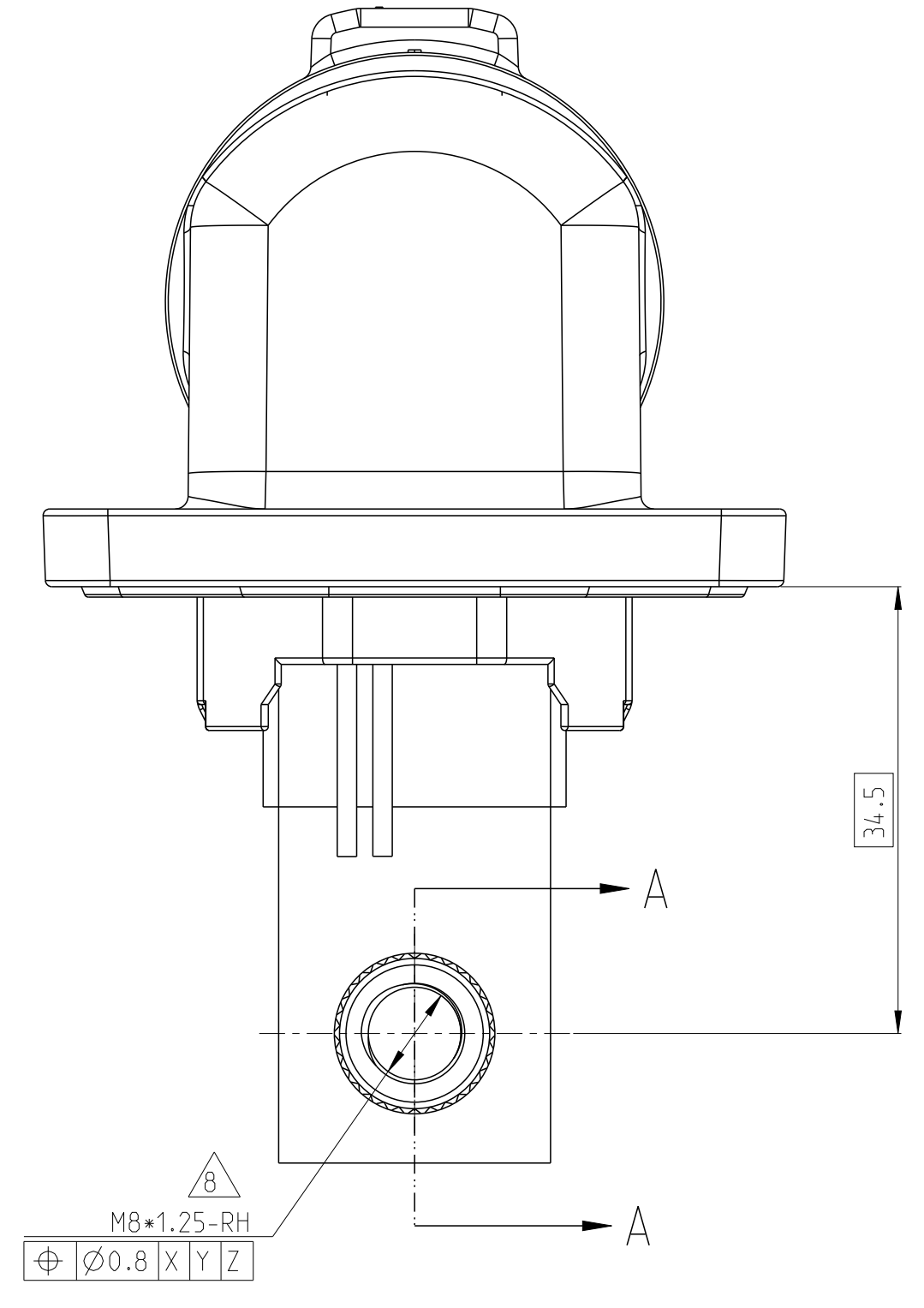
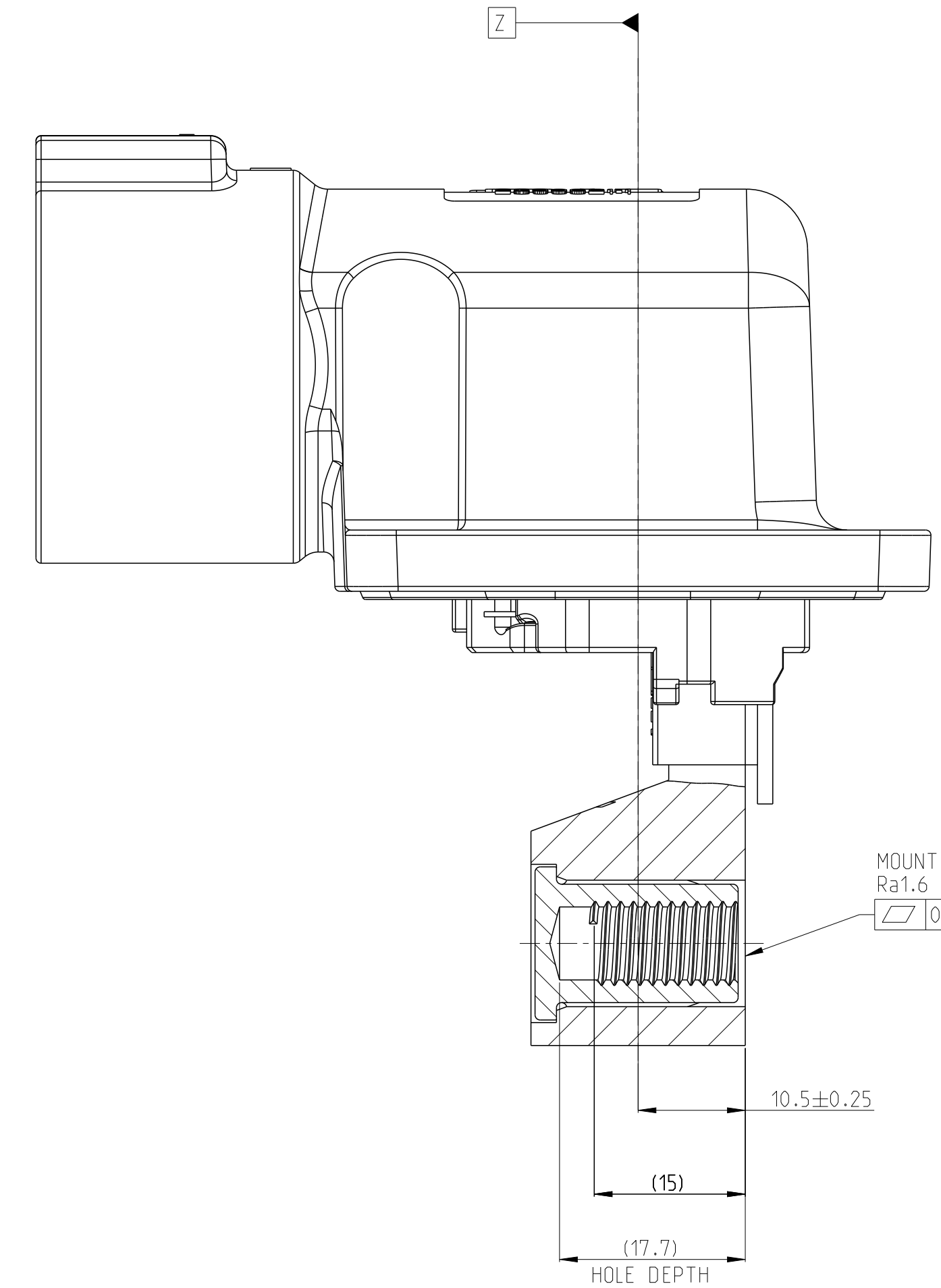
SCALE: 2:1 SHEET 1 OF 5



SECTION D-D



SECTION A-A



1. MISSING DIMENSIONS ACC. TO 2399609-1

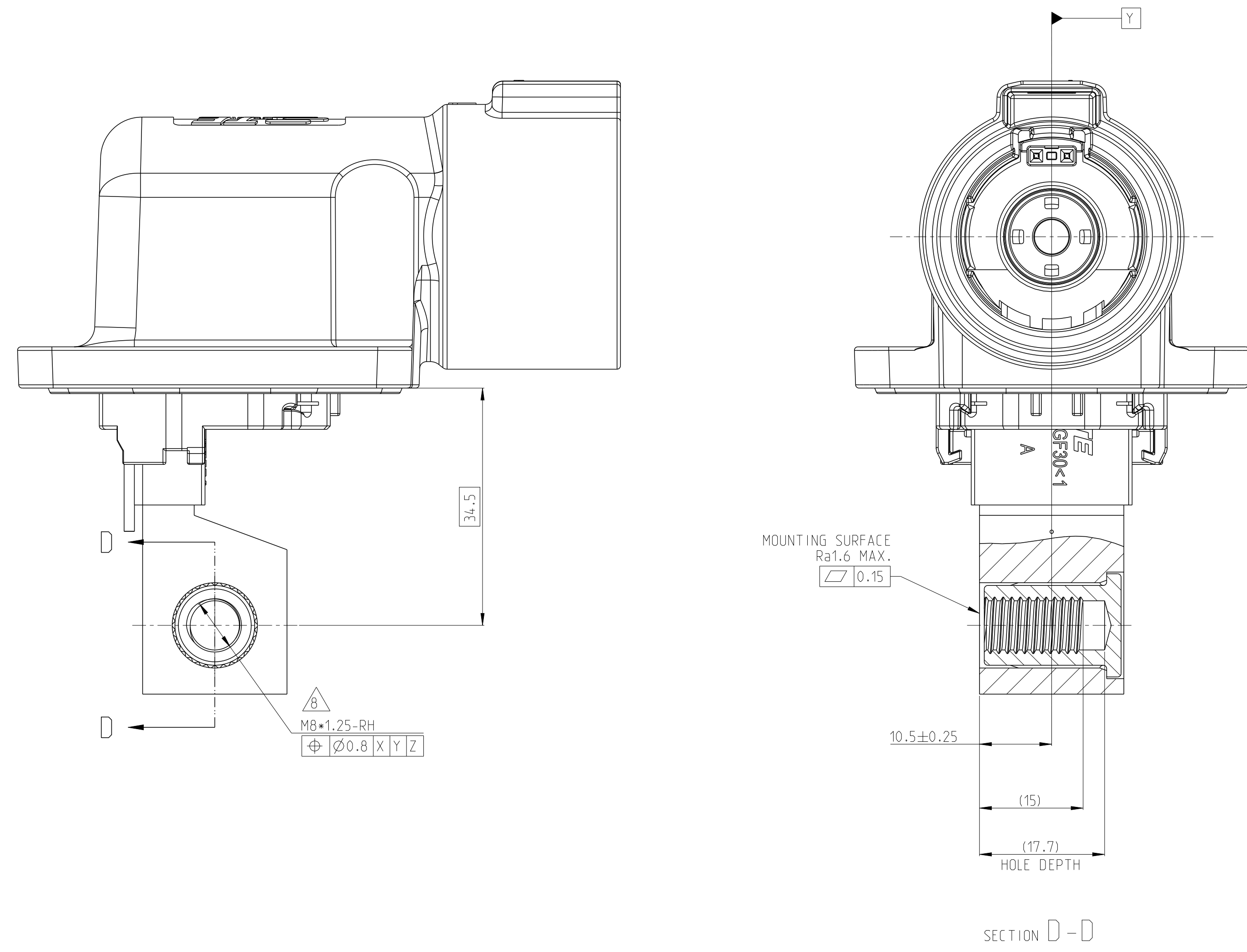
1. MISSING DIMENSIONS ACC. TO 2399609-1

TE-ASSY-NO	TE REV.	CODE	DESCRIPTION	DESCRIPTION	CODE	MATERIAL	PASSIVATION SURFACE COLOR / TREATMENT	WEIGHT (g)	QTY	ITEM
3-2399609-3	D	M	1POS.PIN DIA 14.0 HDR ASSY.90DEG	CODE HOUSING FOLLOW 2-2399609-1	M	PA66-GF	AQUA RED	(315)	1	9
3-2399609-2	D	L	1POS.PIN DIA 14.0 HDR ASSY.90DEG	CODE HOUSING FOLLOW 2-2399609-1	L	PA66-GF	AQUA BROWN	(315)	1	9
3-2399609-1	D	K	1POS.PIN DIA 14.0 HDR ASSY.90DEG	CODE HOUSING FOLLOW 2-2399609-1	K	PA66-GF	AQUA GREEN	(315)	1	9
2-2399609-9	D	J	1POS.PIN DIA 14.0 HDR ASSY.90DEG	CODE HOUSING FOLLOW 2-2399609-1	J	PA66-GF	ORANGE	(315)	1	9
2-2399609-8	D	H	1POS.PIN DIA 14.0 HDR ASSY.90DEG	CODE HOUSING FOLLOW 2-2399609-1	H	PA66-GF	YELLOW	(315)	1	9
2-2399609-7	D	G	1POS.PIN DIA 14.0 HDR ASSY.90DEG	CODE HOUSING FOLLOW 2-2399609-1	G	PA66-GF	RED	(315)	1	9
2-2399609-6	D	F	1POS.PIN DIA 14.0 HDR ASSY.90DEG	CODE HOUSING FOLLOW 2-2399609-1	F	PA66-GF	BROWN	(315)	1	9
2-2399609-5	D	E	1POS.PIN DIA 14.0 HDR ASSY.90DEG	CODE HOUSING FOLLOW 2-2399609-1	E	PA66-GF	GREEN	(315)	1	9
2-2399609-4	D	D	1POS.PIN DIA 14.0 HDR ASSY.90DEG	CODE HOUSING FOLLOW 2-2399609-1	D	PA66-GF	PURPLE	(315)	1	9
2-2399609-3	D	C	1POS.PIN DIA 14.0 HDR ASSY.90DEG	CODE HOUSING FOLLOW 2-2399609-1	C	PA66-GF	BLUE	(315)	1	9
2-2399609-2	D	B	1POS.PIN DIA 14.0 HDR ASSY.90DEG	CODE HOUSING FOLLOW 2-2399609-1	B	PA66-GF	NATURE	(315)	1	9
2-2399609-1	D	A	1POS.PIN DIA 14.0 HDR ASSY.90DEG	CODE HOUSING FOLLOW 2-2399609-1	A	PA66-GF	BLACK	(315)	1	9
				HEADER TPA	-	PA66-GF	RED		1	8
				FINGER PROTECTION CAP	-	PA66-GF	BLACK		1	7
				FACE SEAL	-	SILICONE	RED		1	6
				BUSBAR OVERMOLD,RIGHT SIDE	-	-	-		1	5
				OUTER HOUSING	-	PA66-GF	BLACK		1	4
				INNER HOUSING	-	PA66-GF	BLACK		1	3
				HVIL W IRE(LEONI) MOCAR 180 E 0.550MM,WHITE ACCORDING TO LV112) WITH TERMINAL	-	-	-		2	2
				HEADER HOUSING 90DEG,1POS	-	AL-ALLOY	PASSIVATION SURFACE COLOR / TREATMENT		1	1

TE-ASSY-NO	TE REV.	CODE	DESCRIPTION	DESCRIPTION	CODE	MATERIAL	PASSIVATION SURFACE COLOR / TREATMENT	WEIGHT (g)	QTY	ITEM
5-2399609-3	D	M	1POS.PIN DIA 14.0 HDR ASSY.90DEG	CODE HOUSING FOLLOW 4-2399609-1	M	PA66-GF	AQUA RED	(315)	1	9
5-2399609-2	D	L	1POS.PIN DIA 14.0 HDR ASSY.90DEG	CODE HOUSING FOLLOW 4-2399609-1	L	PA66-GF	AQUA BROWN	(315)	1	9
5-2399609-1	D	K	1POS.PIN DIA 14.0 HDR ASSY.90DEG	CODE HOUSING FOLLOW 4-2399609-1	K	PA66-GF	AQUA GREEN	(315)	1	9
4-2399609-9	D	J	1POS.PIN DIA 14.0 HDR ASSY.90DEG	CODE HOUSING FOLLOW 4-2399609-1	J	PA66-GF	ORANGE	(315)	1	9
4-2399609-8	D	H	1POS.PIN DIA 14.0 HDR ASSY.90DEG	CODE HOUSING FOLLOW 4-2399609-1	H	PA66-GF	YELLOW	(315)	1	9
4-2399609-7	D	G	1POS.PIN DIA 14.0 HDR ASSY.90DEG	CODE HOUSING FOLLOW 4-2399609-1	G	PA66-GF	RED	(315)	1	9
4-2399609-6	D	F	1POS.PIN DIA 14.0 HDR ASSY.90DEG	CODE HOUSING FOLLOW 4-2399609-1	F	PA66-GF	BROWN	(315)	1	9
4-2399609-5	D	E	1POS.PIN DIA 14.0 HDR ASSY.90DEG	CODE HOUSING FOLLOW 4-2399609-1	E	PA66-GF	GREEN	(315)	1	9
4-2399609-4	D	D	1POS.PIN DIA 14.0 HDR ASSY.90DEG	CODE HOUSING FOLLOW 4-2399609-1	D	PA66-GF	PURPLE	(315)	1	9
4-2399609-3	D	C	1POS.PIN DIA 14.0 HDR ASSY.90DEG	CODE HOUSING FOLLOW 4-2399609-1	C	PA66-GF	BLUE	(315)	1	9
4-2399609-2	D	B	1POS.PIN DIA 14.0 HDR ASSY.90DEG	CODE HOUSING FOLLOW 4-2399609-1	B	PA66-GF	NATURE	(315)	1	9
4-2399609-1	D	A	1POS.PIN DIA 14.0 HDR ASSY.90DEG	CODE HOUSING FOLLOW 4-2399609-1	A	PA66-GF	BLACK	(315)	1	9
				HEADER TPA	-	PA66-GF	RED		1	8
				FINGER PROTECTION CAP	-	PA66-GF	BLACK		1	7
				FACE SEAL	-	SILICONE	RED		1	6
				BUSBAR OVERMOLD,BACK SIDE	-	-	-		1	5
				OUTER HOUSING	-	PA66-GF	BLACK		1	4
				INNER HOUSING	-	PA66-GF	BLACK		1	3
				HVIL W IRE(LEONI) MOCAR 180 E 0.550MM,WHITE ACCORDING TO LV112) WITH TERMINAL	-	-	-		2	2
				HEADER HOUSING 90DEG,1POS	-	AL-ALLOY	PASSIVATION SURFACE COLOR / TREATMENT		1	1

THIS DRAWING IS A CONTROLLED DOCUMENT. DATE: 29DEC2021. DRAWN BY: S.TAN. CHECKED BY: L.L. APPROVED BY: J.VIN. DIMENSIONS: SEE TABLE. MATERIAL: SEE TABLE. WEIGHT: SEE TABLE. CUSTOMER DRAWING. SCALE: 2:1. SHEET: 2 OF 5. REV: D.

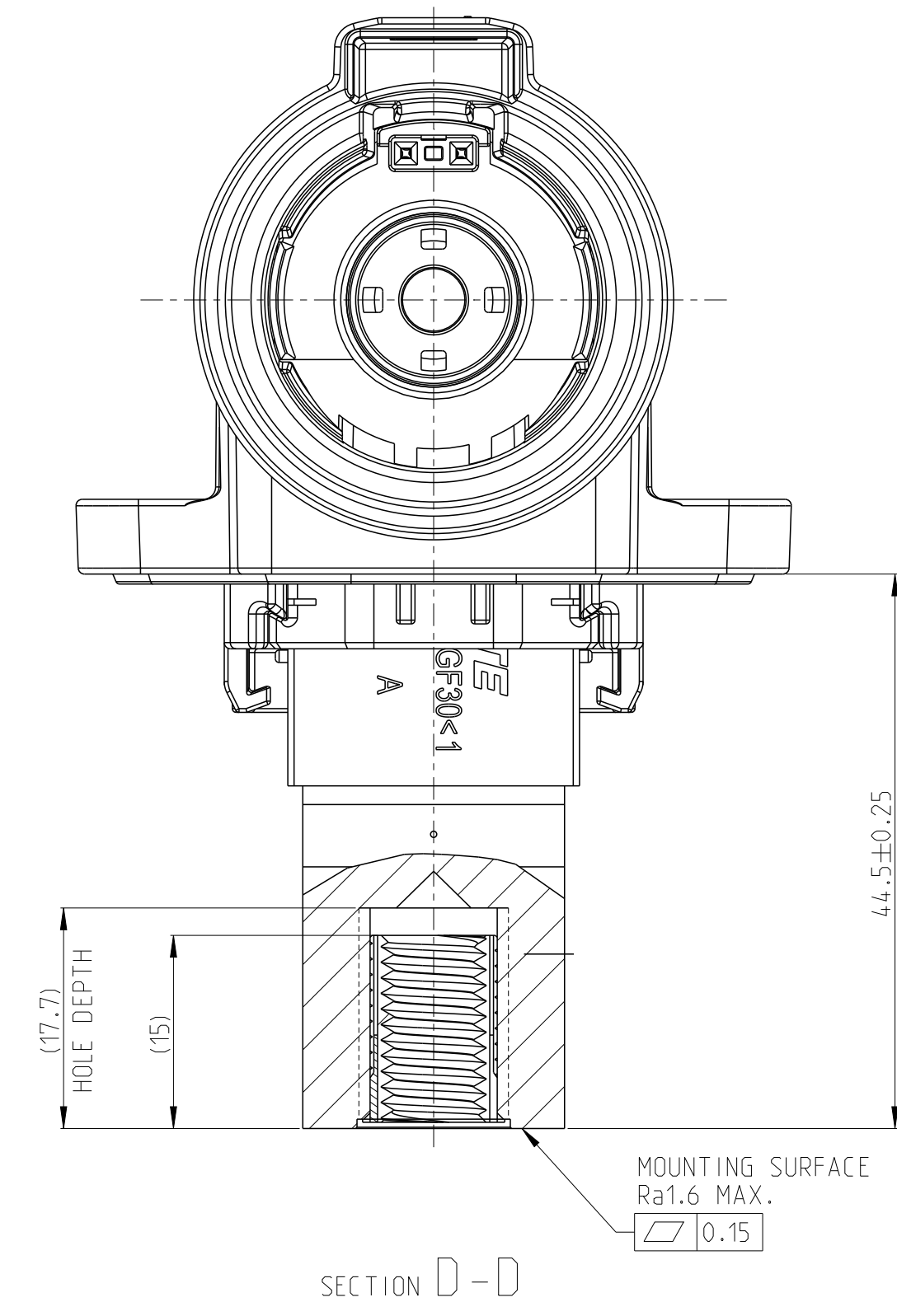
TE Connectivity. 1POS.PIN DIA 14.0.HDR ASSY.90DEG HVP-HD14.00. CASE CODE: 00779. ©=2399609.



1. MISSING DIMENSIONS ACC. TO 2399609-1

TE-ASSY-NO	TE REV.	CODE	DESCRIPTION	DESCRIPTION	CODE	MATERIAL	SURFACE COLOR/TREATMENT	WEIGHT (g)	QTY	ITEM
7-2399609-3	D	M	1POS.PIN DIA 14.0 HDR ASSY,90DEG	CODE HOUSING FOLLOW 6-2399609-1	M	PA66-GF	AQUA RED	(315)	1	9
7-2399609-2	D	L	1POS.PIN DIA 14.0 HDR ASSY,90DEG	CODE HOUSING FOLLOW 6-2399609-1	L	PA66-GF	AQUA BROWN	(315)	1	9
7-2399609-1	D	K	1POS.PIN DIA 14.0 HDR ASSY,90DEG	CODE HOUSING FOLLOW 6-2399609-1	K	PA66-GF	AQUA GREEN	(315)	1	9
6-2399609-9	D	J	1POS.PIN DIA 14.0 HDR ASSY,90DEG	CODE HOUSING FOLLOW 6-2399609-1	J	PA66-GF	ORANGE	(315)	1	9
6-2399609-8	D	H	1POS.PIN DIA 14.0 HDR ASSY,90DEG	CODE HOUSING FOLLOW 6-2399609-1	H	PA66-GF	YELLOW	(315)	1	9
6-2399609-7	D	G	1POS.PIN DIA 14.0 HDR ASSY,90DEG	CODE HOUSING FOLLOW 6-2399609-1	G	PA66-GF	RED	(315)	1	9
6-2399609-6	D	F	1POS.PIN DIA 14.0 HDR ASSY,90DEG	CODE HOUSING FOLLOW 6-2399609-1	F	PA66-GF	BROWN	(315)	1	9
6-2399609-5	D	E	1POS.PIN DIA 14.0 HDR ASSY,90DEG	CODE HOUSING FOLLOW 6-2399609-1	E	PA66-GF	GREEN	(315)	1	9
6-2399609-4	D	D	1POS.PIN DIA 14.0 HDR ASSY,90DEG	CODE HOUSING FOLLOW 6-2399609-1	D	PA66-GF	PURPLE	(315)	1	9
6-2399609-3	D	C	1POS.PIN DIA 14.0 HDR ASSY,90DEG	CODE HOUSING FOLLOW 6-2399609-1	C	PA66-GF	BLUE	(315)	1	9
6-2399609-2	D	B	1POS.PIN DIA 14.0 HDR ASSY,90DEG	CODE HOUSING FOLLOW 6-2399609-1	B	PA66-GF	NATURE	(315)	1	9
6-2399609-1	D	A	1POS.PIN DIA 14.0 HDR ASSY,90DEG	CODE HOUSING	A	PA66-GF	BLACK	(315)	1	9
				HEADER TPA	-	PA66-GF	RED		1	8
				FINGER PROTECTION CAP	-	PA66-GF	BLACK		1	7
				FACE SEAL	-	SILICONE	RED		1	6
				BUSBAR OVERMOLD,LEFT SIDE	-	-	-		1	5
				OUTER HOUSING	-	PA66-GF	BLACK		1	4
				INNER HOUSING	-	PA66-GF	BLACK		1	3
HVIL WIRE(LEONI MOCAR 180 E 0.55QMM,WHITE ACCORDING TO LV112) WITH TERMINAL	-	-	-	2	2					
HEADER HOUSING 90DEG,1POS	-	AL-ALLOY	PASSIVATION	1	1					

REVISIONS			
REV	DATE	BY	APPD
-	SEE SHEET 1	-	-



1. MISSING DIMENSIONS ACC. TO 2399609-1

TE-ASSY-NO	TE REV.	CODE	DESCRIPTION	DESCRIPTION	CODE	MATERIAL	SURFACE COLOR/TREATMENT	WEIGHT (g)	QTY	ITEM
9-2399609-3	D	M	1POS.PIN DIA 14.0 HDR ASSY,90DEG	CODE HOUSING FOLLOW 6-2399609-1	M	PA66-GF	AQUA RED	(315)	1	9
9-2399609-2	D	L	1POS.PIN DIA 14.0 HDR ASSY,90DEG	CODE HOUSING FOLLOW 6-2399609-1	L	PA66-GF	AQUA BROWN	(315)	1	9
9-2399609-1	D	K	1POS.PIN DIA 14.0 HDR ASSY,90DEG	CODE HOUSING FOLLOW 6-2399609-1	K	PA66-GF	AQUA GREEN	(315)	1	9
8-2399609-9	D	J	1POS.PIN DIA 14.0 HDR ASSY,90DEG	CODE HOUSING FOLLOW 6-2399609-1	J	PA66-GF	ORANGE	(315)	1	9
8-2399609-8	D	H	1POS.PIN DIA 14.0 HDR ASSY,90DEG	CODE HOUSING FOLLOW 6-2399609-1	H	PA66-GF	YELLOW	(315)	1	9
8-2399609-7	D	G	1POS.PIN DIA 14.0 HDR ASSY,90DEG	CODE HOUSING FOLLOW 6-2399609-1	G	PA66-GF	RED	(315)	1	9
8-2399609-6	D	F	1POS.PIN DIA 14.0 HDR ASSY,90DEG,SEA	CODE HOUSING FOLLOW 6-2399609-1	F	PA66-GF	BROWN	(315)	1	9
8-2399609-5	D	E	1POS.PIN DIA 14.0 HDR ASSY,90DEG	CODE HOUSING FOLLOW 6-2399609-1	E	PA66-GF	GREEN	(315)	1	9
8-2399609-4	D	D	1POS.PIN DIA 14.0 HDR ASSY,90DEG	CODE HOUSING FOLLOW 6-2399609-1	D	PA66-GF	PURPLE	(315)	1	9
8-2399609-3	D	C	1POS.PIN DIA 14.0 HDR ASSY,90DEG	CODE HOUSING FOLLOW 6-2399609-1	C	PA66-GF	BLUE	(315)	1	9
8-2399609-2	D	B	1POS.PIN DIA 14.0 HDR ASSY,90DEG	CODE HOUSING FOLLOW 6-2399609-1	B	PA66-GF	NATURE	(315)	1	9
8-2399609-1	D	A	1POS.PIN DIA 14.0 HDR ASSY,90DEG	CODE HOUSING	A	PA66-GF	BLACK	(315)	1	9
				HEADER TPA	-	PA66-GF	RED		1	8
				FINGER PROTECTION CAP	-	PA66-GF	BLACK		1	7
				FACE SEAL	-	SILICONE	RED		1	6
				BUSBAR OVERMOLD,TOP SIDE	-	-	-		1	5
				OUTER HOUSING	-	PA66-GF	BLACK		1	4
				INNER HOUSING	-	PA66-GF	BLACK		1	3
HVIL WIRE(LEONI MOCAR 180 E 0.55QMM,WHITE ACCORDING TO LV112) WITH TERMINAL	-	-	-	2	2					
HEADER HOUSING 90DEG,1POS	-	AL-ALLOY	PASSIVATION	1	1					

THIS DRAWING IS A CONTROLLED DOCUMENT.

DATE: 29DEC2021
 CHN: J.L.L.
 APPROV: J.L.YIN

TE Connectivity

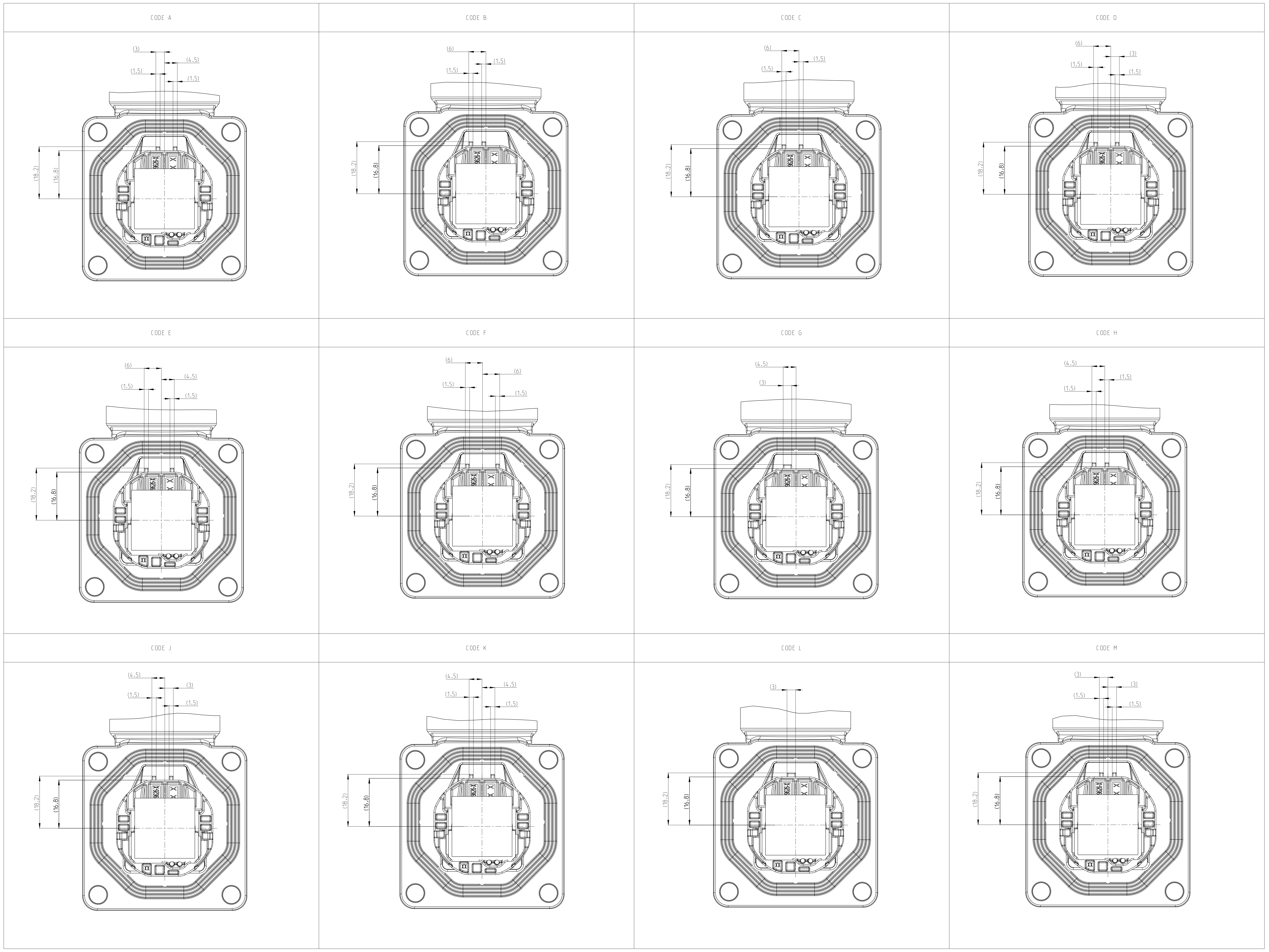
1POS.PIN DIA 14.0.HDR ASSY,90DEG
 HVP-HD14.00

114-160222

SCALE: 2:1

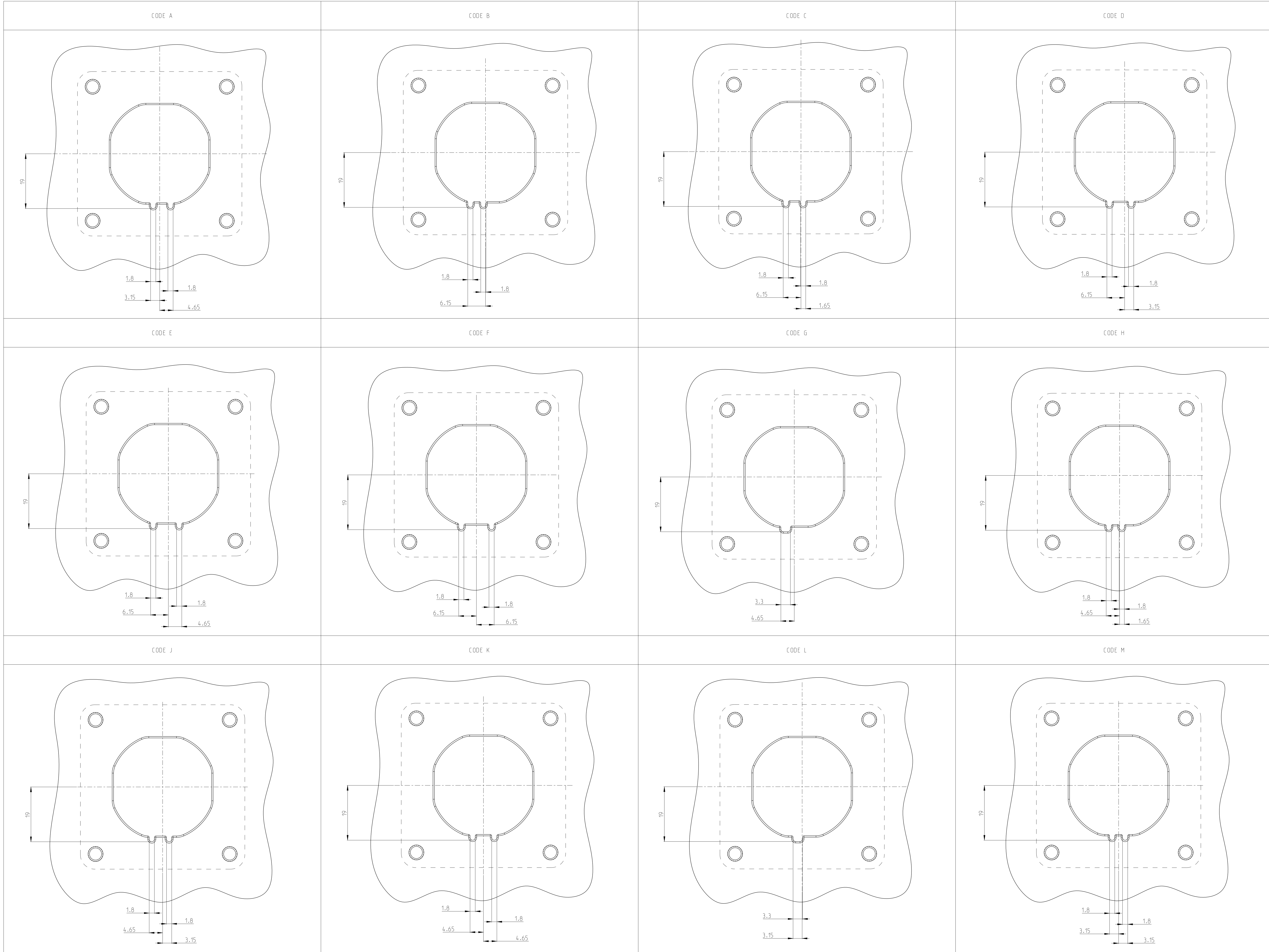
REV: 1

REVISIONS			
P	LV	DESCRIPTION	DATE
-	-	SEE SHEET 1	-



THIS DRAWING IS A CONTROLLED DOCUMENT.		DATE: 29DEC2021	BY: S.TAN
DRAWN BY: S.TAN		DATE: 29DEC2021	CHK: L.L.
CHECKED BY: L.L.		DATE: 29DEC2021	APPROVED BY: J.L.YIN
TITLE: 1POS.PIN DIA 14.0.HDR ASSY.90DEG HVP-HD14.00		PRODUCT SPEC: 108-1604.07	APPLICATION SPEC: 114-160222
MATERIAL: SEE TABLE		WEIGHT: SEE TABLE	SCALE: 2:1
CUSTOMER DRAWING		DATE: 29DEC2021	REV: 0

REVISIONS			
REV	DATE	BY	APPD
-	SEE SHEET 1	-	-



THIS DRAWING IS A CONTROLLED DOCUMENT.

DESIGNED BY: S. TAN	DATE: 29DEC2021	 TE Connectivity
CHECKED BY: L.L.	DATE: 29DEC2021	
DRAWN BY: J.VIN	DATE: 29DEC2021	NAME: 1POS.PIN D1A 14.0.HDR ASSY.90DEG HVP-HD14.00
DIMENSIONS: <ul style="list-style-type: none"> 1. DIM: 0.05 2. FAC: 0.05 3. FIL: 0.05 4. P. FIL: 0.05 5. HOLE: 0.0001 6. FINISH: 0.0001 	PRODUCT SPEC: 108-1604.07 APPLICATION SPEC: 114-160222 WEIGHT: SEE TABLE FINISH: SPEC 2	SITE: A0 CASE CODE: 00779 DRAWING NO: C=2399609 RESTRICTED TO: - SCALE: 2:1 SHEET: 5 OF 5 REV: 0

4886 13/131