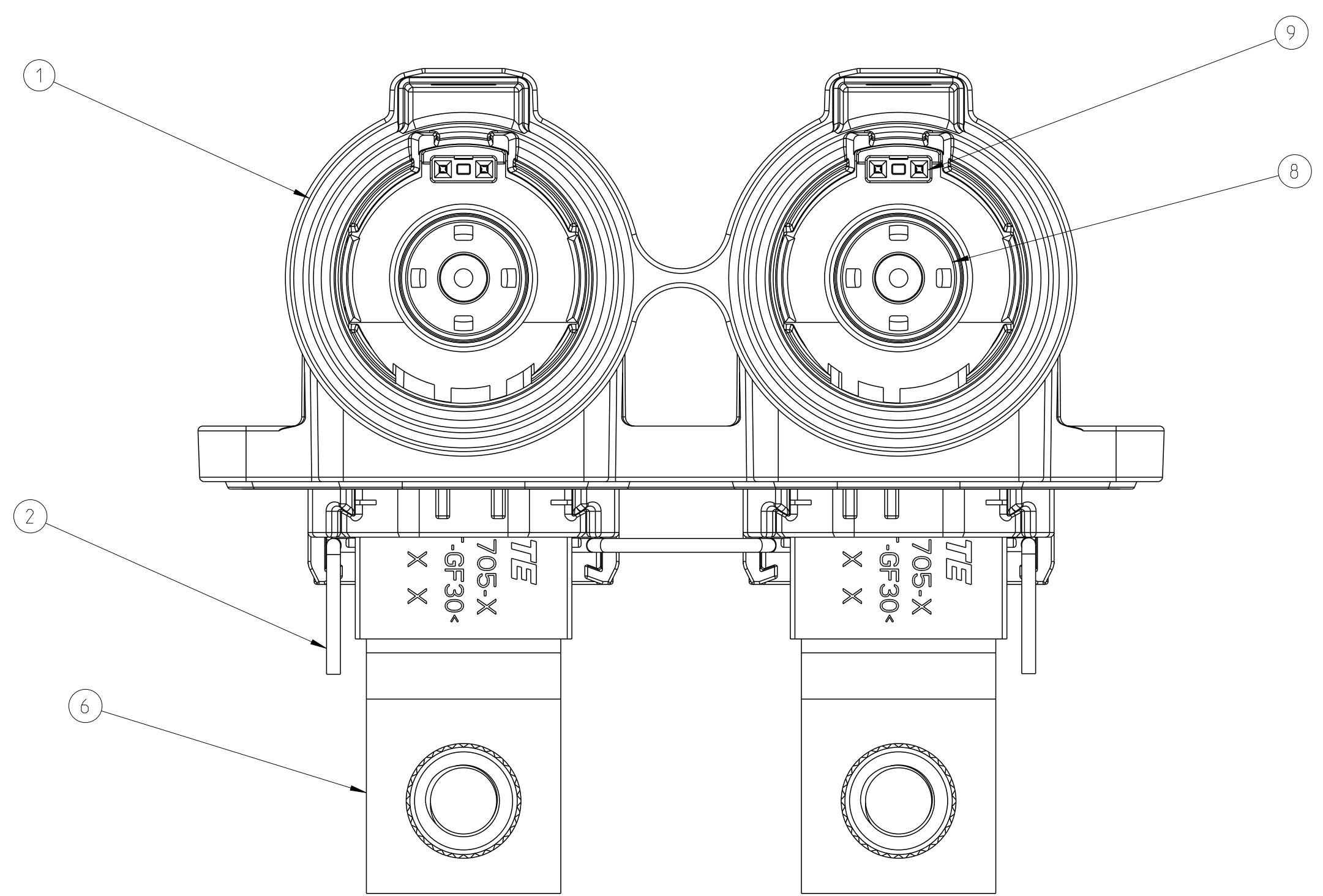
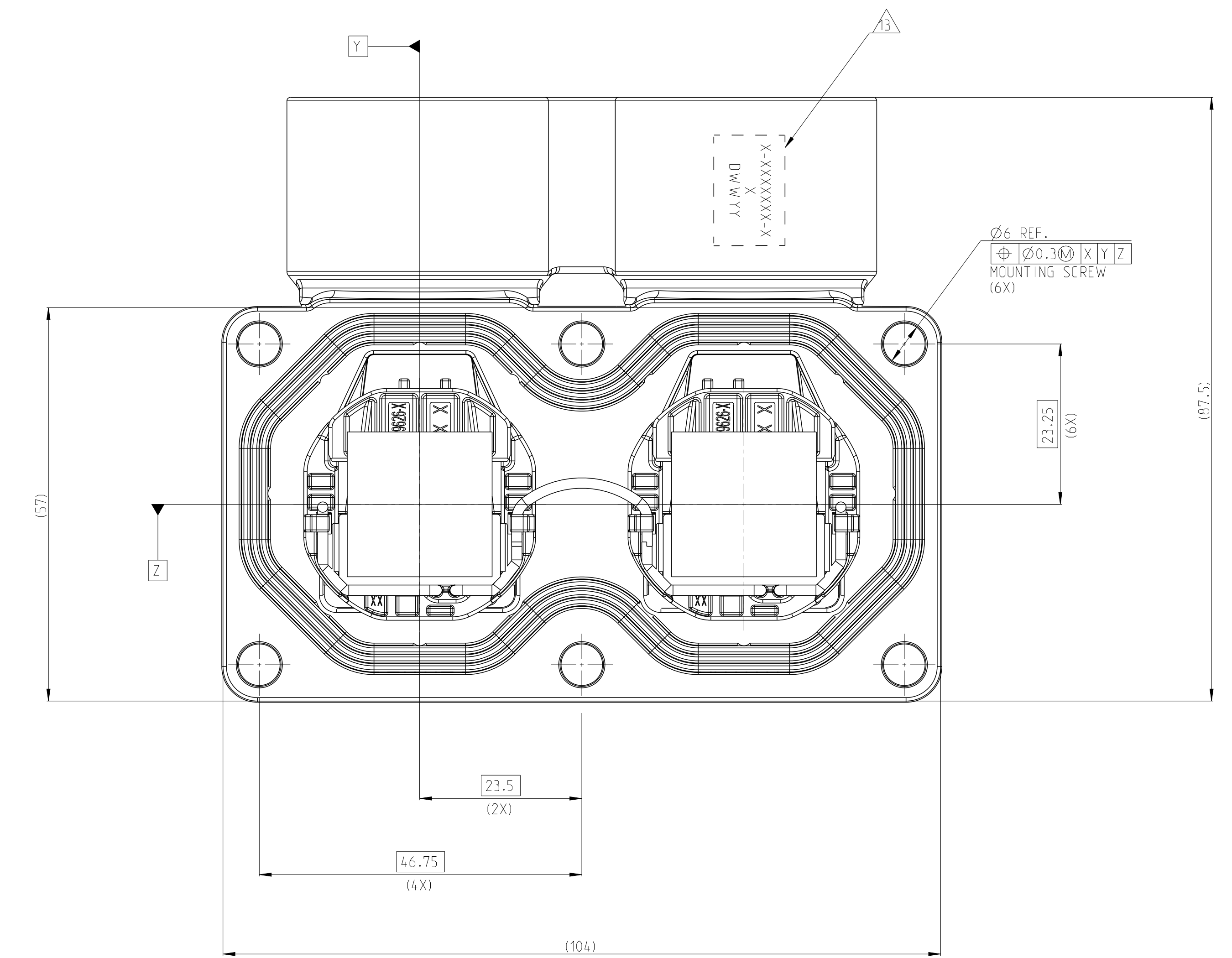
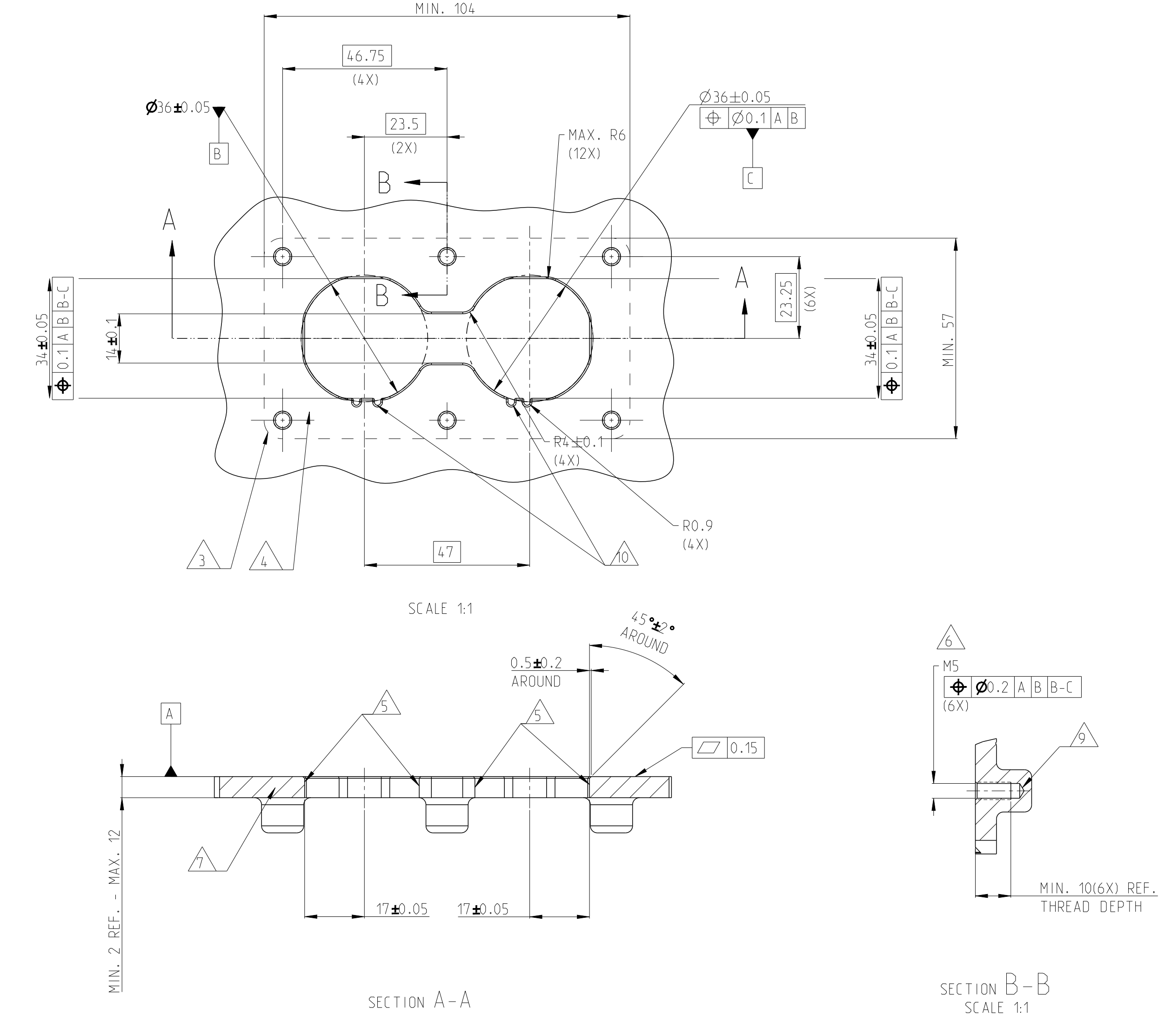
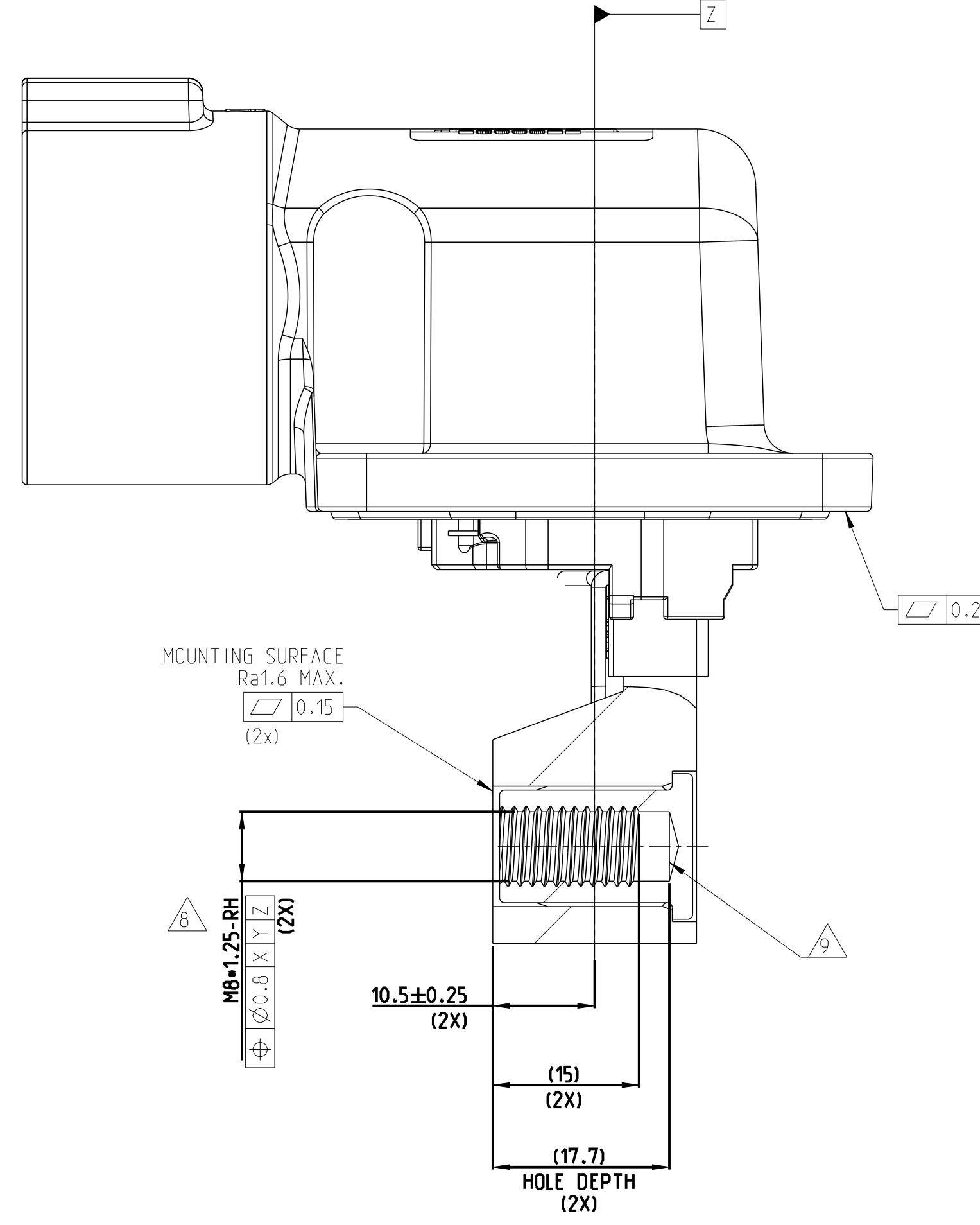
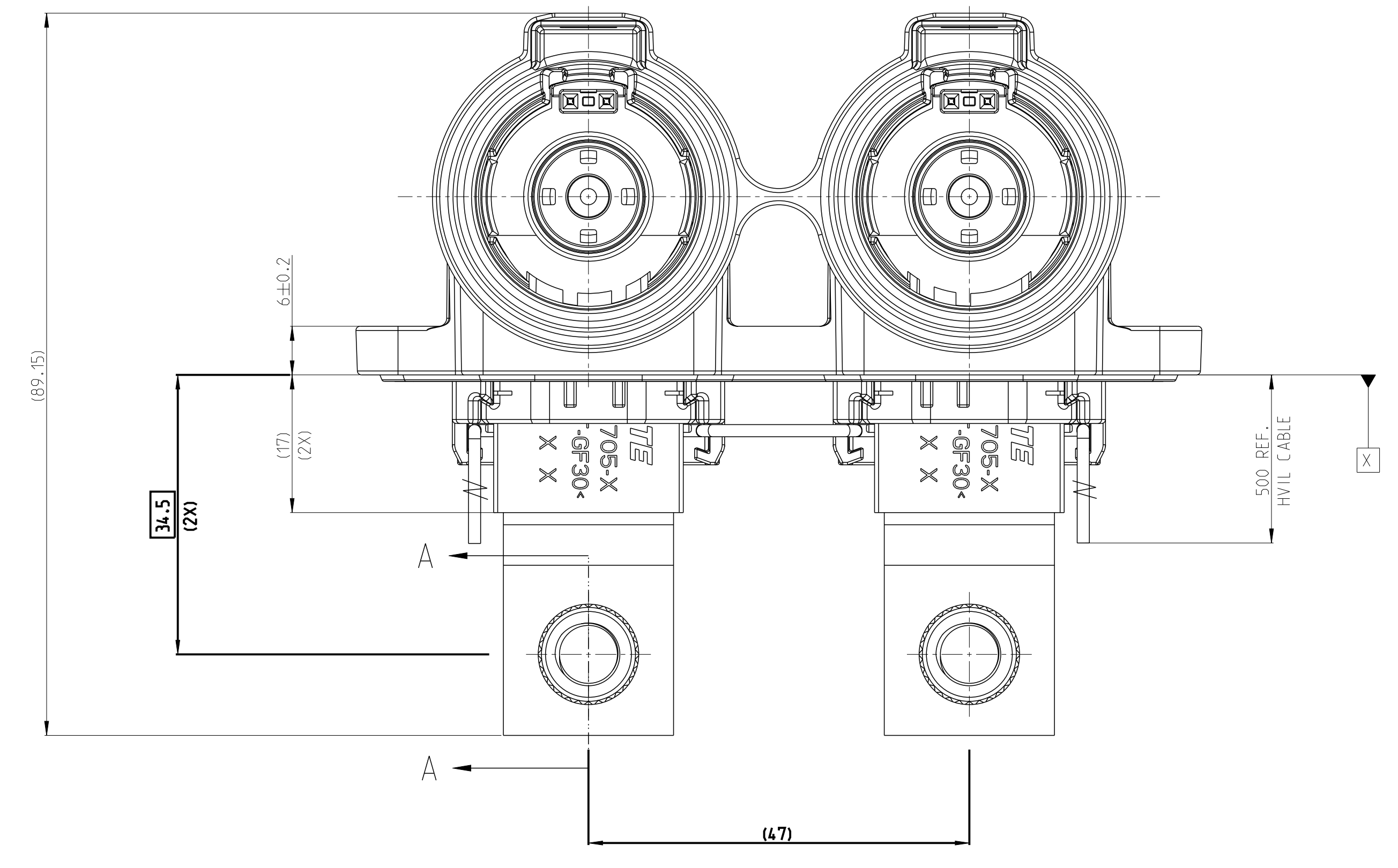


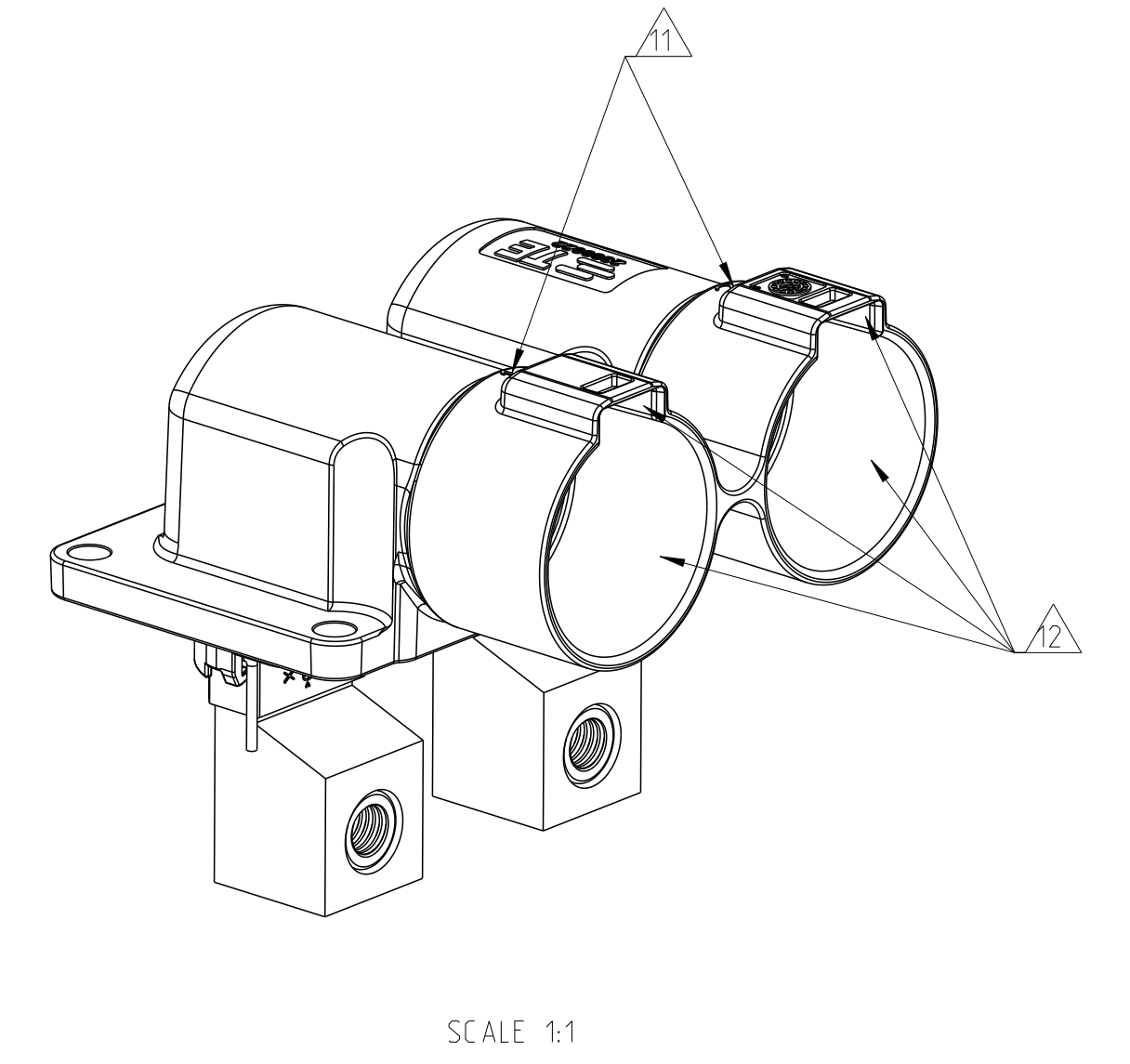
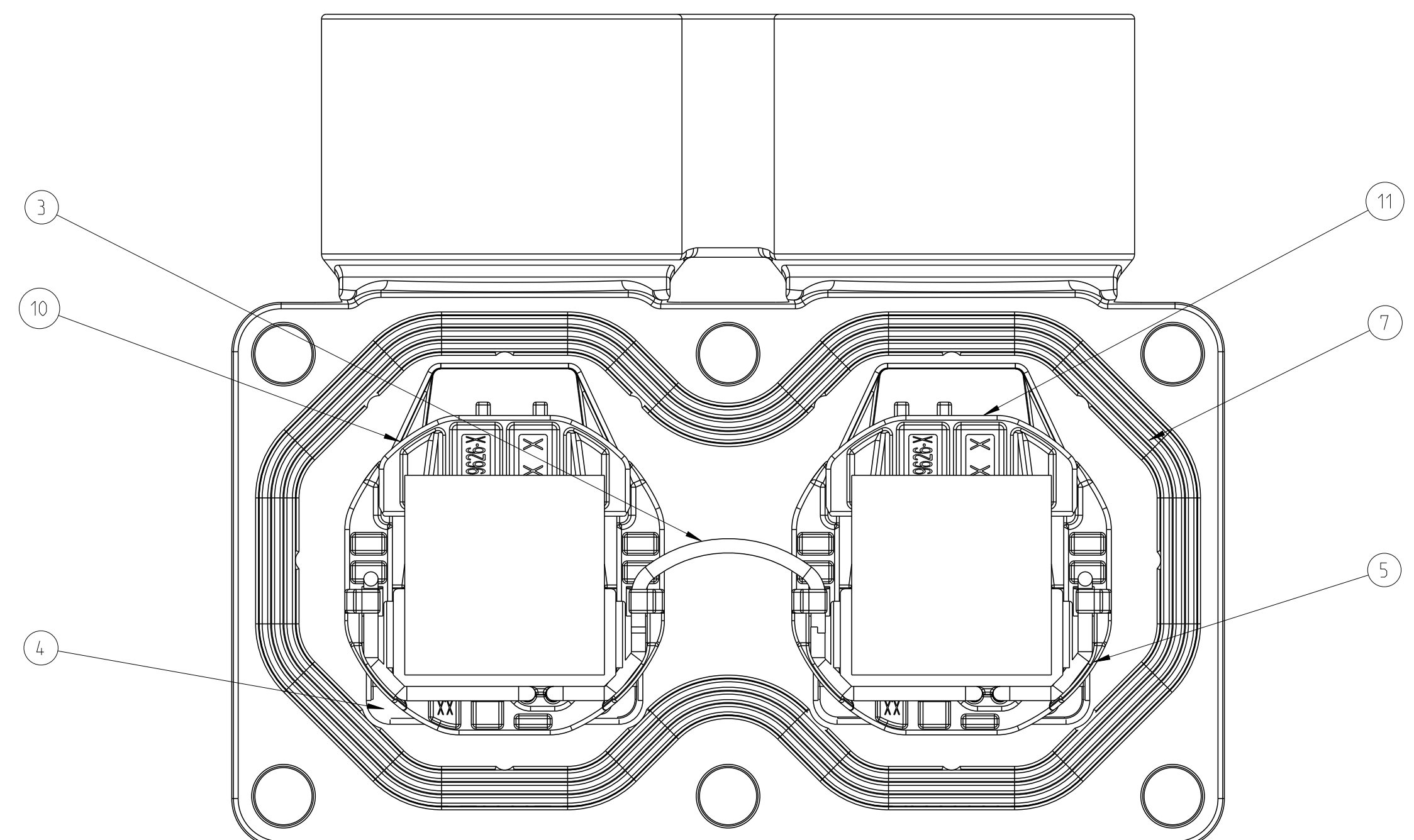
REVISIONS			
P	LV	DESCRIPTION	DATE
D		HEADLINE CHANGING CHANGED LUBRICANT CODES IN THE ORDER KIT DRAWING OF PLUG PRE ASSY WITH TPA: 2400957 (70-120 STD CABLE), 2468625 (70-120 FLEX CABLE), 2413468 (150 FLEX CABLE)	18MAY2021 S.T 2.2
E		PCN-24-206191	14NOV21 S.T 2.2
E1		ADD PLATING PROCESS HOLE IN THE TOP ORIENTATION OF BUSBAR	30NOV21 S.T 2.2
E2		NEW PART NUMBER ADDED	28MAY25 D.S 2.2

ADAPTER PLATE - HVP-HD1400 2POS HEADER INTERFACE



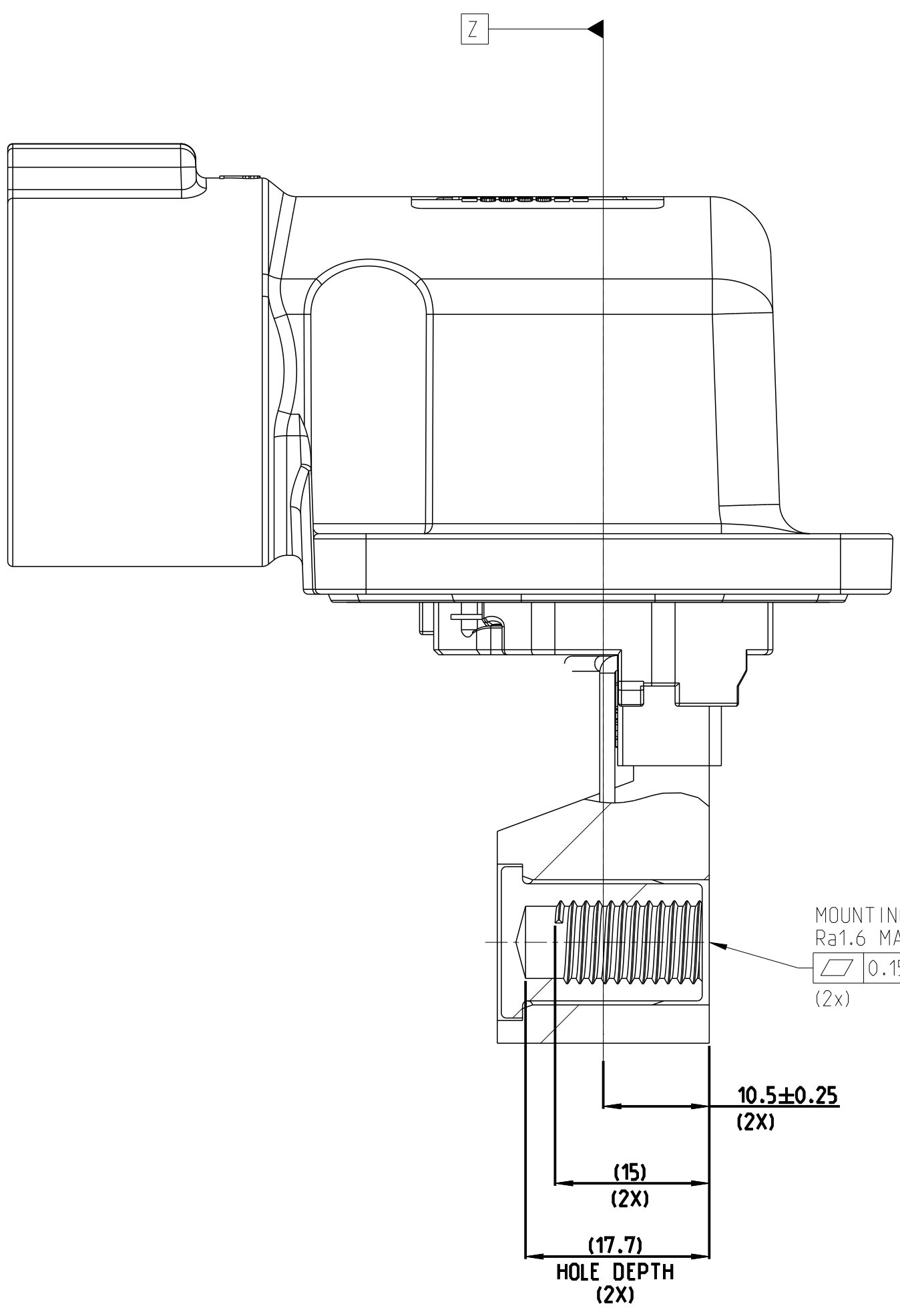
- SUITABLE COUNTERPART OF HVP-HD1400 REFER TO: KIT DRAWING OF PLUG PRE ASSY WITH TPA: 2400957 (70-120 STD CABLE), 2468625 (70-120 FLEX CABLE), 2413468 (150 FLEX CABLE)
- DRAWING OF PLUG PRE WITHOUT TPA: 2446256  
DRAWING OF TPA: 2399679
- △ CODING VARIANT
  - △ MOUNTING SPACE FOR HEADER
  - △ SEALING AREA NO BURR, TOOL PARTING, SHRINKAGE, CAVITIES AND GATE MARKS PERMITTED. SURFACE ROUGHNESS: Ra=1.6
  - △ DRAFT ANGLE UP TO 0.5° PERMITTED
  - △ MOUNTING SCREW M5 (RECOMMENDED SCREW PLATING: ZINC-NICKEL) SCREW TYPE UP TO MANUFACTURER
  - △ MATERIAL: CORROSION RESISTANT, ELECTROCONDUCTIVE
  - △ SCREW M8 FOR BUSBAR CONNECTION
  - △ ALL THREAD HOLES ARE BLIND HOLES
  - △ INTERFACE PANEL CODE SEE SHEET 4
  - △ POSITION NUMBER
  - △ LUBRICANT APPLIED ON THE RADIAL SEAL AREA AND CPA AREA
  - △ ASSEMBLY P/N: X-XXXXXX-X  
ASSEMBLY REV.: X  
DATE CODE: DWYY

TE-ASSY-NO	TE REV.	CODE	DESCRIPTION	DESCRIPTION	CODE	MATERIAL	SURFACE COLOR / TREATMENT	WEIGHT (g)	QTY	ITEM
2399610-6	E	L/M	2POS.PIN DIA 14.0 HDR ASSY.90DEG	CODE HOUSING	M	PA66-GF	AQUA RED	1	11	
				CODE HOUSING	L	PA66-GF	AQUA BROWN	(625)	1	10
				FOLLOW 2399610-1	-	-	-	-	-	1-9
2399610-5	E	J/K	2POS.PIN DIA 14.0 HDR ASSY.90DEG	CODE HOUSING	K	PA66-GF	AQUA GREEN	1	11	
				CODE HOUSING	J	PA66-GF	ORANGE	(625)	1	10
				FOLLOW 2399610-1	-	-	-	-	-	1-9
2399610-4	E	G/H	2POS.PIN DIA 14.0 HDR ASSY.90DEG	CODE HOUSING	H	PA66-GF	YELLOW	1	11	
				CODE HOUSING	G	PA66-GF	RED	(625)	1	10
				FOLLOW 2399610-1	-	-	-	-	-	1-9
2399610-3	E	E/F	2POS.PIN DIA 14.0 HDR ASSY.90DEG	CODE HOUSING	F	PA66-GF	BROWN	1	11	
				CODE HOUSING	E	PA66-GF	GREEN	(625)	1	10
				FOLLOW 2399610-1	-	-	-	-	-	1-9
2399610-2	E	C/D	2POS.PIN DIA 14.0 HDR ASSY.90DEG	CODE HOUSING	D	PA66-GF	PURPLE	1	11	
				CODE HOUSING	C	PA66-GF	BLUE	(625)	1	10
				FOLLOW 2399610-1	-	-	-	-	-	1-9
2399610-1	E	A/B	2POS.PIN DIA 14.0 HDR ASSY.90DEG	CODE HOUSING	B	PA66-GF	NATURE	1	11	
				CODE HOUSING	A	PA66-GF	BLACK	(625)	1	10
				HEADER TPA	-	PA66-GF	RED	2	9	
				FINGER PROTECTION CAP	-	PA66-GF	BLACK	2	8	
				FACE SEAL	-	SILICONE	RED	1	7	
				ONE PIECE BUSBAR OVERMOLD, FRONT SIDE	-	PA10T MOLDING	-	2	6	
				OUTER HOUSING	-	PA66-GF	BLACK	2	5	
				INNER HOUSING	-	PA66-GF	BLACK	2	4	
				HVIL WIRE (LEONI MOCAR 180 E 0.55MM, WHITE ACCORDING TO LV112) WITH TERMINAL 2	-	-	-	1	3	
				HVIL WIRE (LEONI MOCAR 180 E 0.55MM, WHITE ACCORDING TO LV112) WITH TERMINAL 1	-	-	-	2	2	
				HEADER HOUSING 90DEG, 2POS	-	AL-ALLOY	PASSIVATION	1	1	

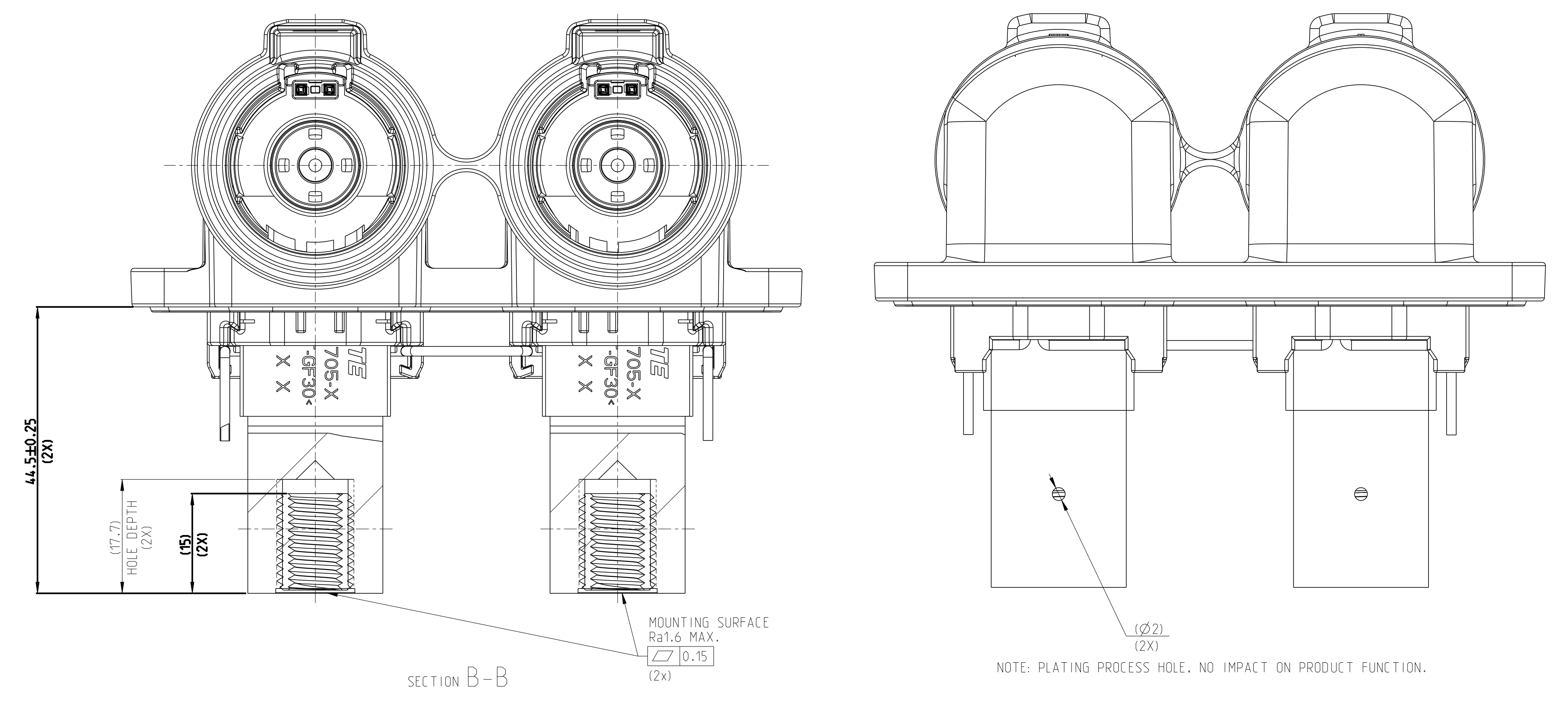
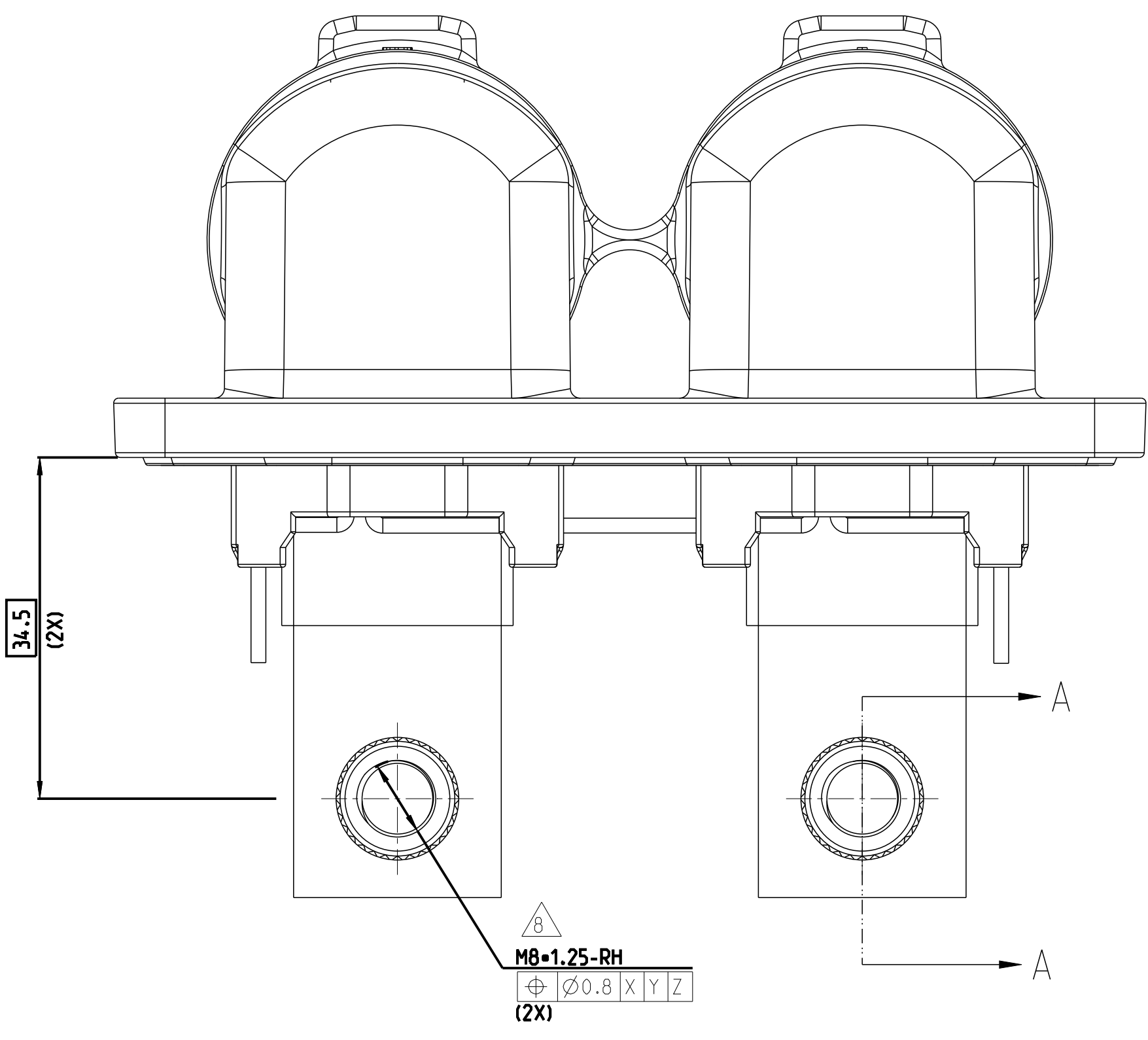


-1 AS SHOWN

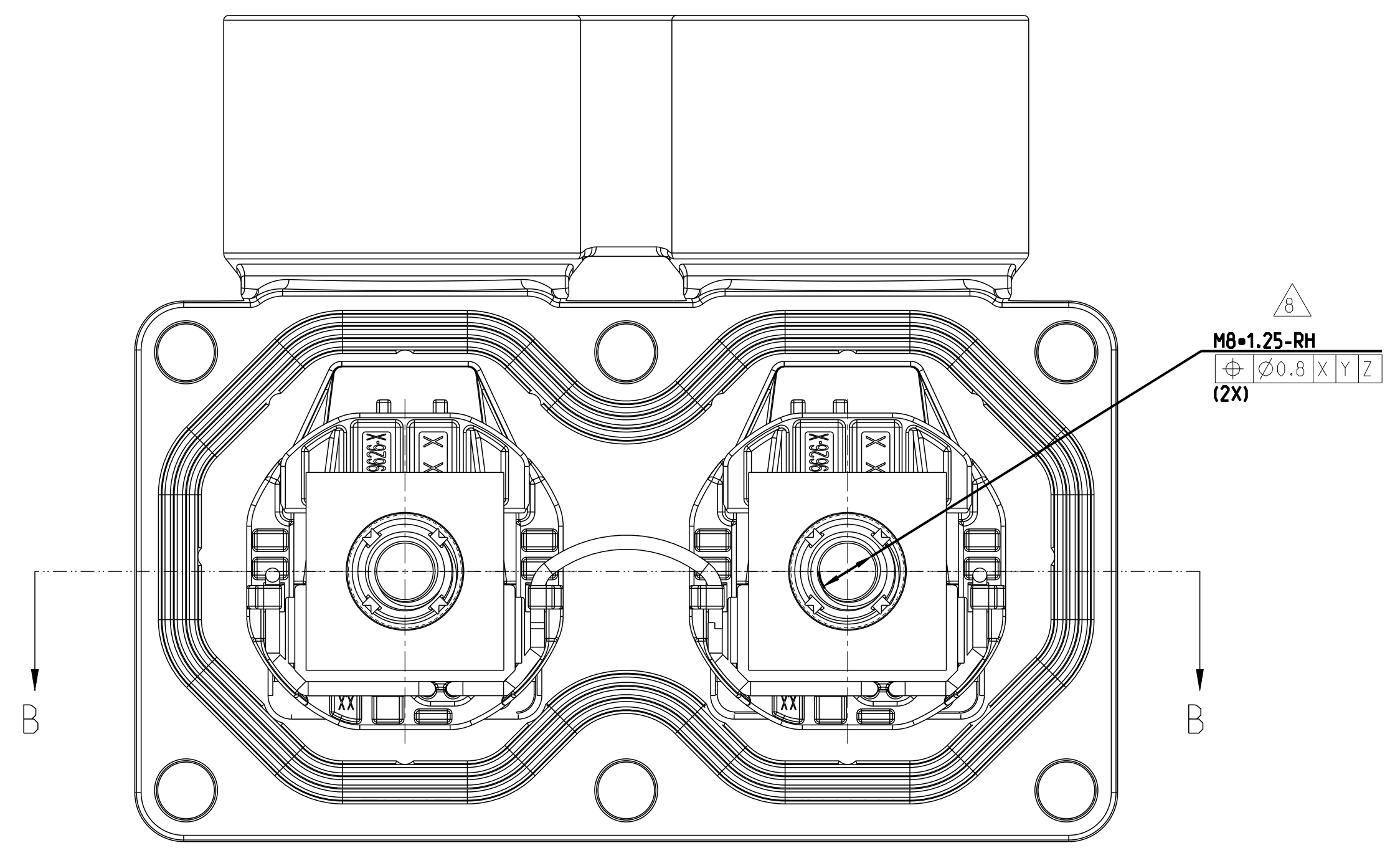
THIS DRAWING IS A CONTROLLED DOCUMENT.		DATE: 29DEC2021	REV: 2.2
DRAWN: S.TAN	CHECKED: J.L.L.	DATE: 29DEC2021	REV: 2.2
APPROVED: J.L.L.	DATE: 29DEC2021	REV: 2.2	DATE: 29DEC2021
DESCRIPTION: 2POS.PIN DIA 14.0 HDR ASSY.90DEG	PART NUMBER: 2399610	REV: 2.2	DATE: 29DEC2021
TE CONNECTIVITY	TE CONNECTIVITY	TE CONNECTIVITY	TE CONNECTIVITY



SECTION A-A



SECTION B-B



1. MISSING DIMENSIONS ACC. TO 2399610-1

TE-ASSY-NO	TE REV.	CODE	DESCRIPTION	DESCRIPTION	CODE	MATERIAL	SURFACE COLOR / TREATMENT	WEIGHT (g)	QTY	ITEM
1-2399610-6	E	L/M	2POS.PIN DIA 14.0 HDR ASSY.90DEG	CODE HOUSING	M	PA66-GF	AQUA RED	(625)	1	11
				CODE HOUSING	L	PA66-GF	AQUA BROWN		1	10
				FOLLOW 1-2399610-1	-	-	-		-	1-9
1-2399610-5	E	J/K	2POS.PIN DIA 14.0 HDR ASSY.90DEG	CODE HOUSING	K	PA66-GF	AQUA GREEN	(625)	1	11
				CODE HOUSING	J	PA66-GF	ORANGE		1	10
				FOLLOW 1-2399610-1	-	-	-		-	1-9
1-2399610-4	E	G/H	2POS.PIN DIA 14.0 HDR ASSY.90DEG	CODE HOUSING	H	PA66-GF	YELLOW	(625)	1	11
				CODE HOUSING	G	PA66-GF	RED		1	10
				FOLLOW 1-2399610-1	-	-	-		-	1-9
1-2399610-3	E	E/F	2POS.PIN DIA 14.0 HDR ASSY.90DEG	CODE HOUSING	F	PA66-GF	BROWN	(625)	1	11
				CODE HOUSING	E	PA66-GF	GREEN		1	10
				FOLLOW 1-2399610-1	-	-	-		-	1-9
1-2399610-2	E	C/D	2POS.PIN DIA 14.0 HDR ASSY.90DEG	CODE HOUSING	D	PA66-GF	PURPLE	(625)	1	11
				CODE HOUSING	C	PA66-GF	BLUE		1	10
				FOLLOW 1-2399610-1	-	-	-		-	1-9
1-2399610-1	E	A/B	2POS.PIN DIA 14.0 HDR ASSY.90DEG	CODE HOUSING	B	PA66-GF	NATURE	(625)	1	11
				CODE HOUSING	A	PA66-GF	BLACK		1	10
				HEADER TPA	-	PA66-GF	RED		2	9
				FINGER PROTECTION CAP	-	PA66-GF	BLACK		2	8
				FACE SEAL	-	SILICONE	RED		1	7
				ONE PIECE BUSBAR OVERMOLD.BACK SIDE	-	PA10T MOLDING	-		2	6
				OUTER HOUSING	-	PA66-GF	BLACK		2	5
				INNER HOUSING	-	PA66-GF	BLACK		2	4
				HVIL W IRELEONI MOCAR 180 E 0.550MM.WHITE ACCORDING TO LV112) WITH TERMINAL2	-	-	-		1	3
				HVIL W IRELEONI MOCAR 180 E 0.550MM.WHITE ACCORDING TO LV112) WITH TERMINAL1	-	-	-		2	2
				HEADER HOUSING 90DEG.2POS	-	AL-ALLOY	PASSIVATION		1	1

1. MISSING DIMENSIONS ACC. TO 2399610-1

TE-ASSY-NO	TE REV.	CODE	DESCRIPTION	DESCRIPTION	CODE	MATERIAL	SURFACE COLOR / TREATMENT	WEIGHT (g)	QTY	ITEM
E2 2-2399610-8	E	H/G	2POS.PIN DIA 14.0 HDR ASSY.90DEG	CODE HOUSING	G	PA66-GF	RED	(625)	1	11
				CODE HOUSING	H	PA66-GF	YELLOW		1	10
				FOLLOW 2-2399610-1	-	-	-		-	1-9
E2 2-2399610-7	E	F/E	2POS.PIN DIA 14.0 HDR ASSY.90DEG	CODE HOUSING	E	PA66-GF	GREEN	(625)	1	11
				CODE HOUSING	F	PA66-GF	BROWN		1	10
				FOLLOW 2-2399610-1	-	-	-		-	1-9
2-2399610-6	E	L/M	2POS.PIN DIA 14.0 HDR ASSY.90DEG	CODE HOUSING	M	PA66-GF	AQUA RED	(625)	1	11
				CODE HOUSING	L	PA66-GF	AQUA BROWN		1	10
				FOLLOW 2-2399610-1	-	-	-		-	1-9
2-2399610-5	E	J/K	2POS.PIN DIA 14.0 HDR ASSY.90DEG	CODE HOUSING	K	PA66-GF	AQUA GREEN	(625)	1	11
				CODE HOUSING	J	PA66-GF	ORANGE		1	10
				FOLLOW 2-2399610-1	-	-	-		-	1-9
2-2399610-4	E	G/H	2POS.PIN DIA 14.0 HDR ASSY.90DEG	CODE HOUSING	H	PA66-GF	YELLOW	(625)	1	11
				CODE HOUSING	G	PA66-GF	RED		1	10
				FOLLOW 2-2399610-1	-	-	-		-	1-9
2-2399610-3	E	E/F	2POS.PIN DIA 14.0 HDR ASSY.90DEG	CODE HOUSING	F	PA66-GF	BROWN	(625)	1	11
				CODE HOUSING	E	PA66-GF	GREEN		1	10
				FOLLOW 2-2399610-1	-	-	-		-	1-9
2-2399610-2	E	C/D	2POS.PIN DIA 14.0 HDR ASSY.90DEG	CODE HOUSING	D	PA66-GF	PURPLE	(625)	1	11
				CODE HOUSING	C	PA66-GF	BLUE		1	10
				FOLLOW 2-2399610-1	-	-	-		-	1-9
2-2399610-1	E	A/B	2POS.PIN DIA 14.0 HDR ASSY.90DEG	CODE HOUSING	B	PA66-GF	NATURE	(625)	1	11
				CODE HOUSING	A	PA66-GF	BLACK		1	10
				HEADER TPA	-	PA66-GF	RED		2	9
				FINGER PROTECTION CAP	-	PA66-GF	BLACK		2	8
				FACE SEAL	-	SILICONE	RED		1	7
				ONE PIECE BUSBAR OVERMOLD.TOP SIDE	-	PA10T MOLDING	-		2	6
				OUTER HOUSING	-	PA66-GF	BLACK		2	5
				INNER HOUSING	-	PA66-GF	BLACK		2	4
				HVIL W IRELEONI MOCAR 180 E 0.550MM.WHITE ACCORDING TO LV112) WITH TERMINAL2	-	-	-		1	3
				HVIL W IRELEONI MOCAR 180 E 0.550MM.WHITE ACCORDING TO LV112) WITH TERMINAL1	-	-	-		2	2
				HEADER HOUSING 90DEG.2POS	-	AL-ALLOY	PASSIVATION		1	1

THIS DRAWING IS A CONTROLLED DOCUMENT. DATE: 29DEC2021

TE Connectivity

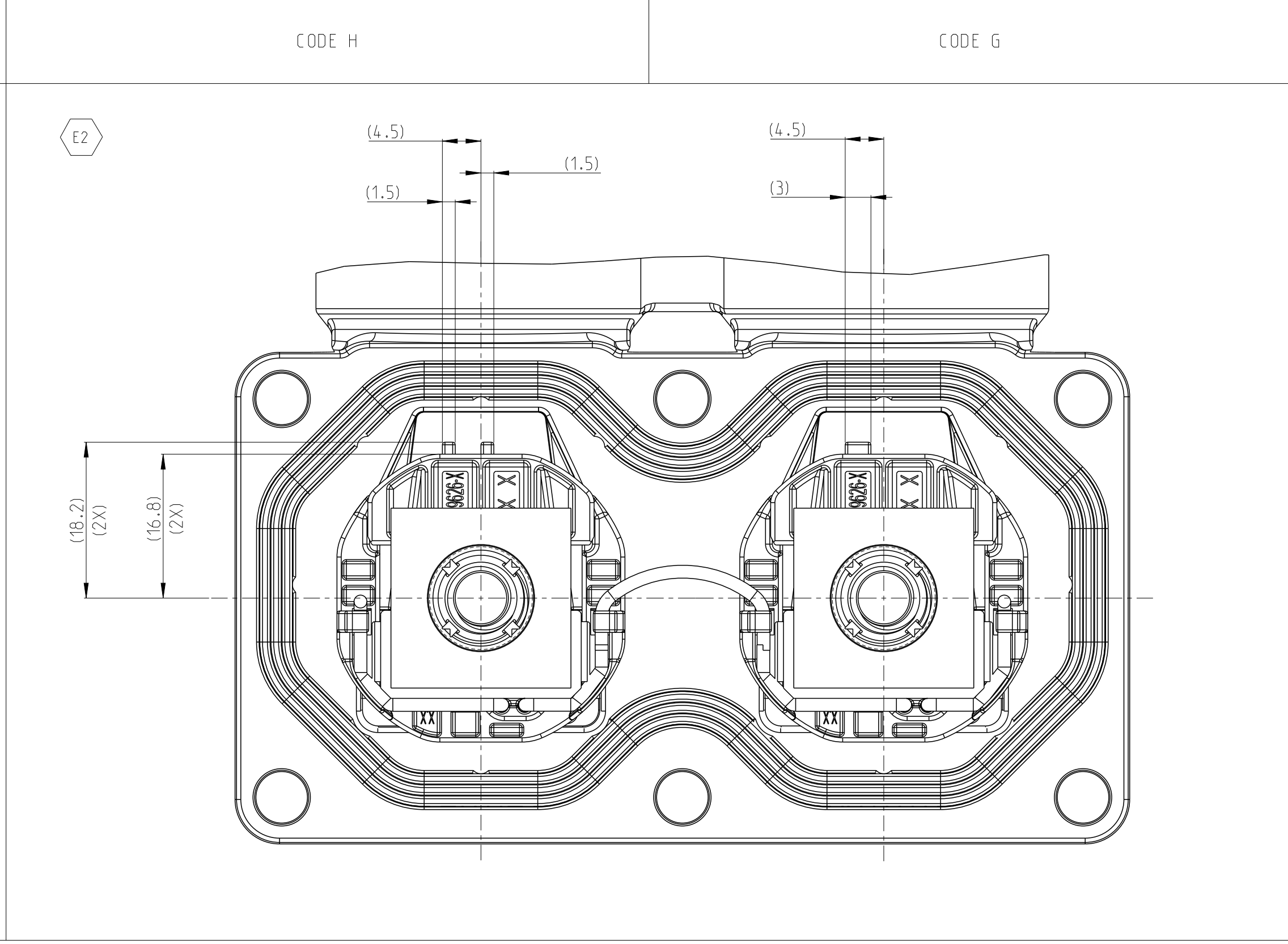
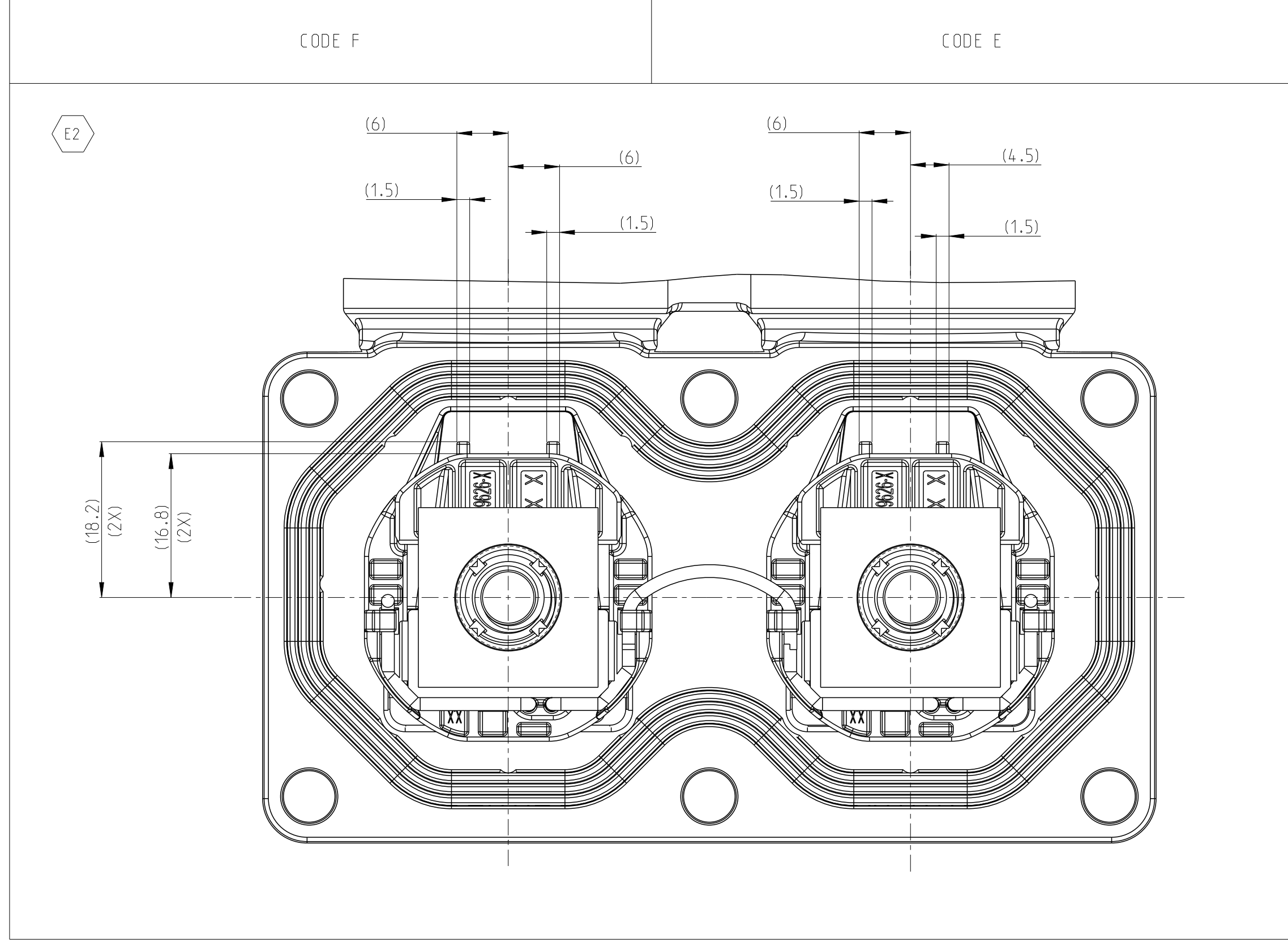
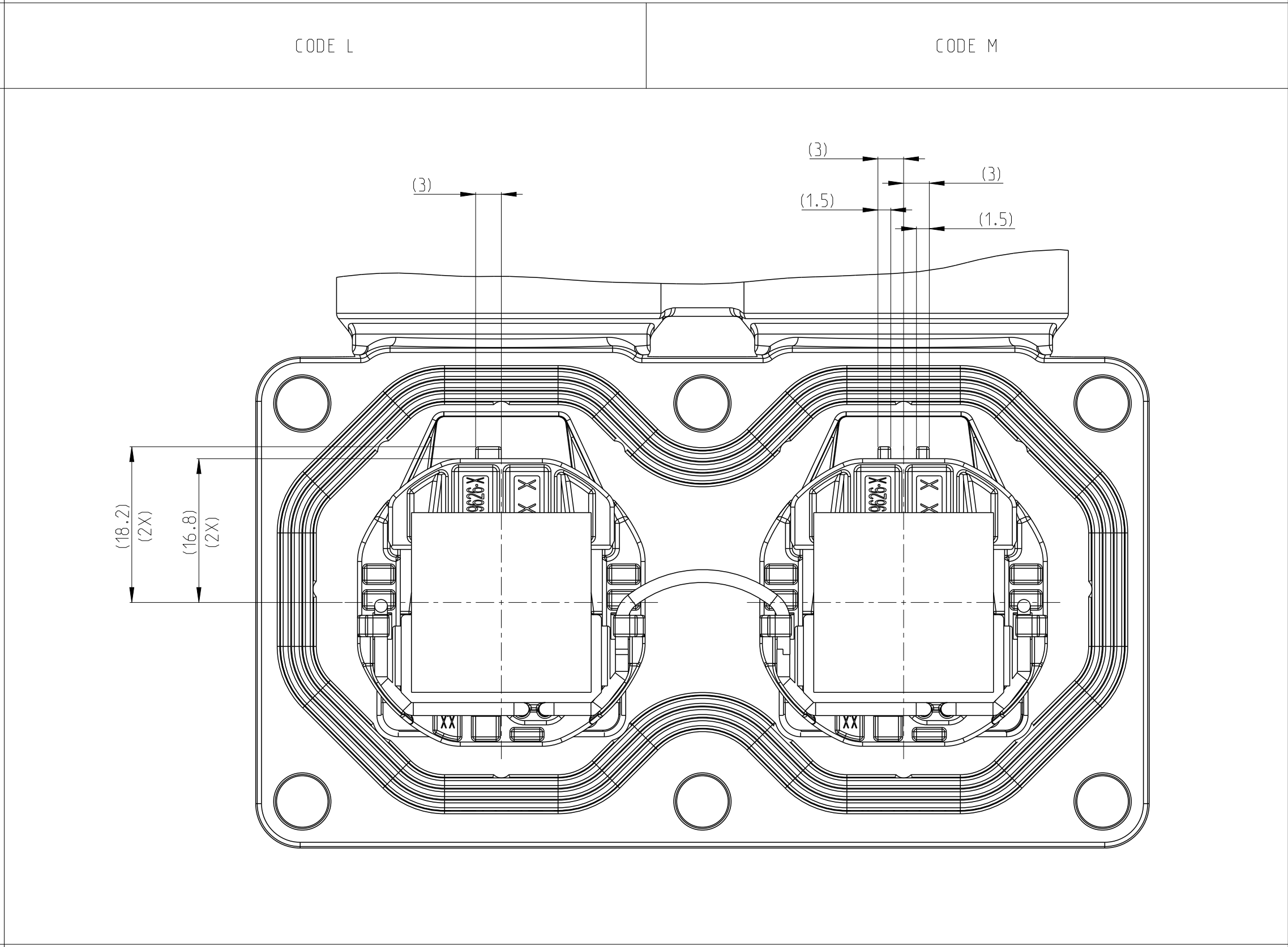
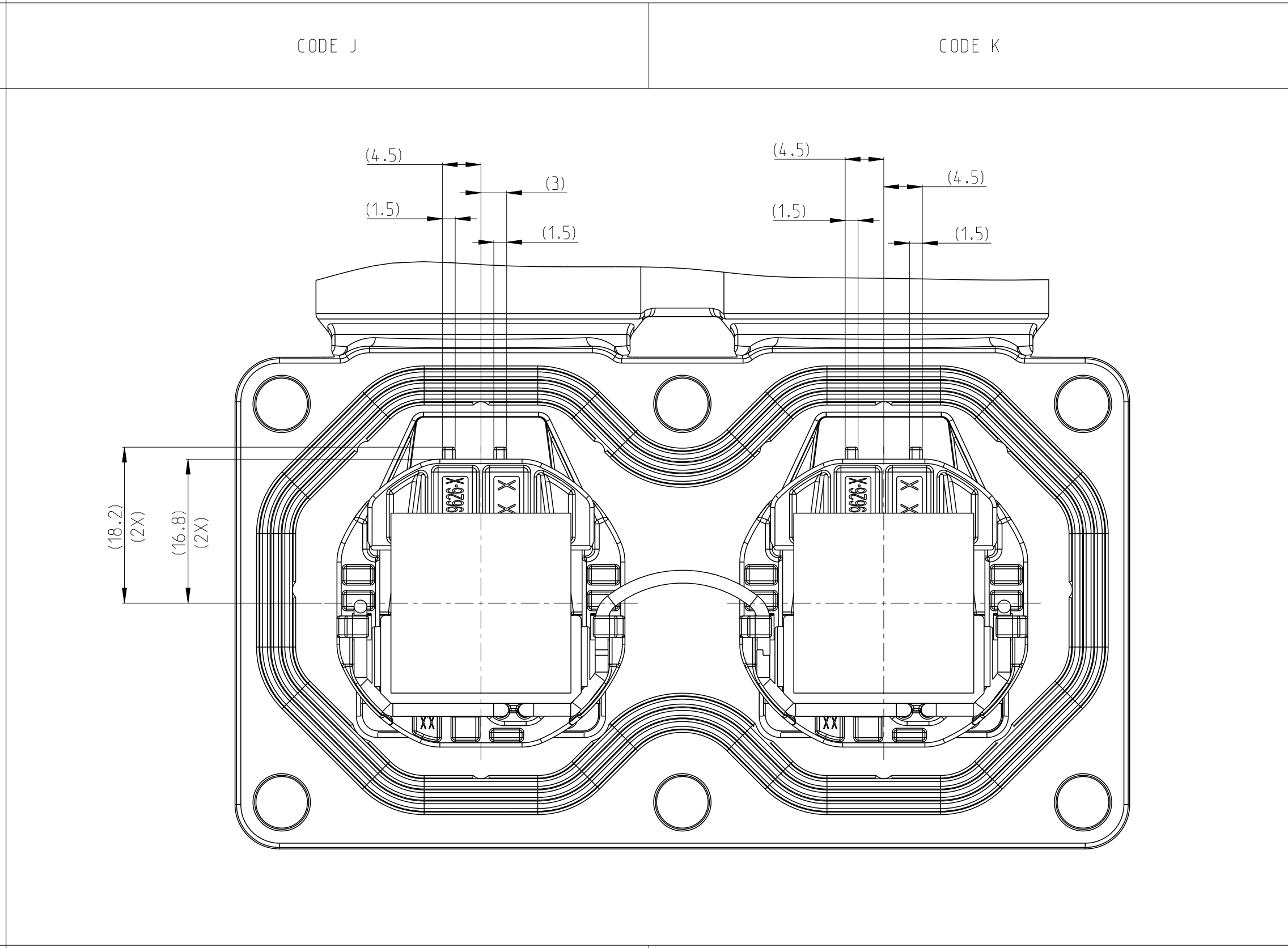
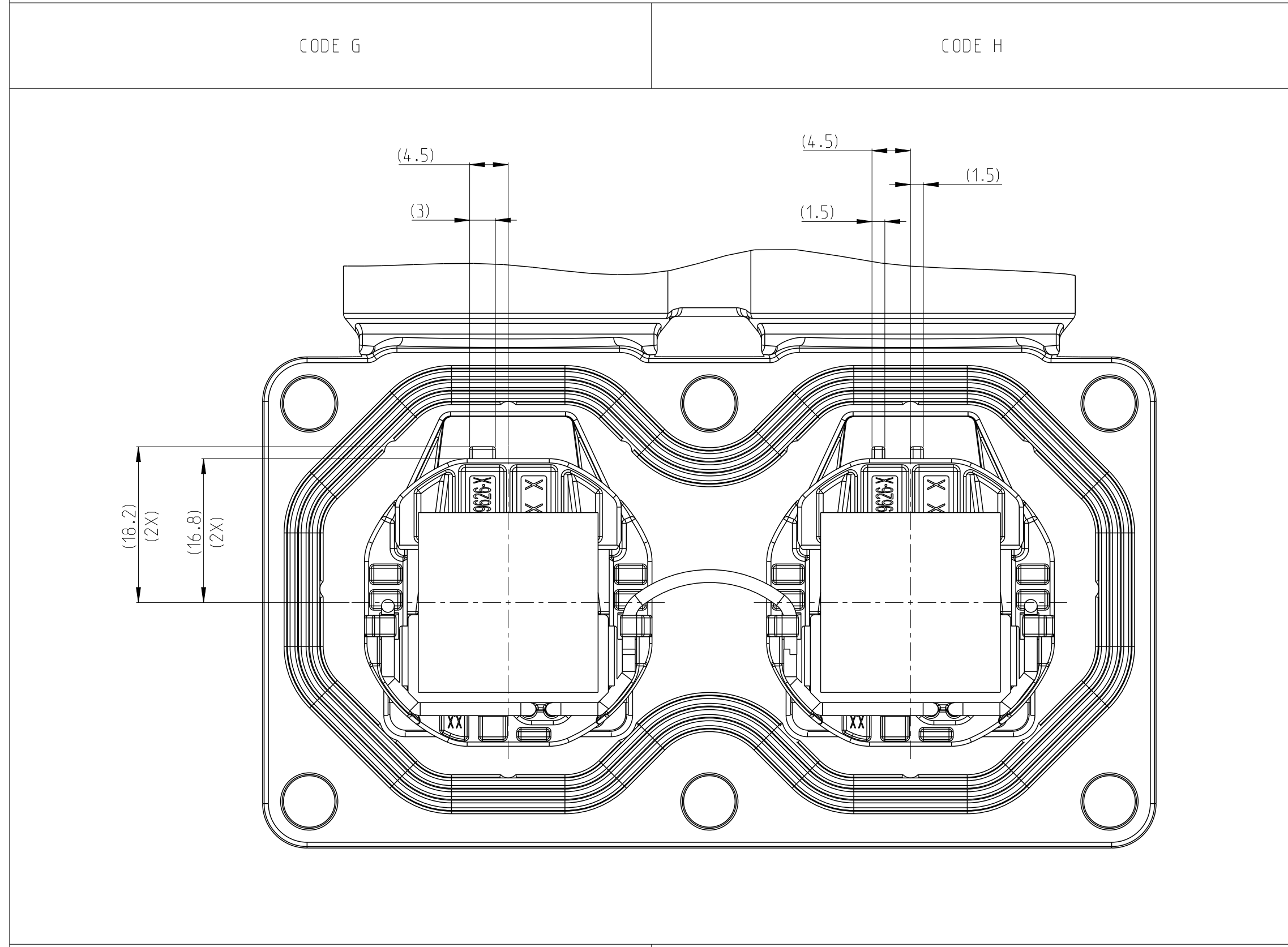
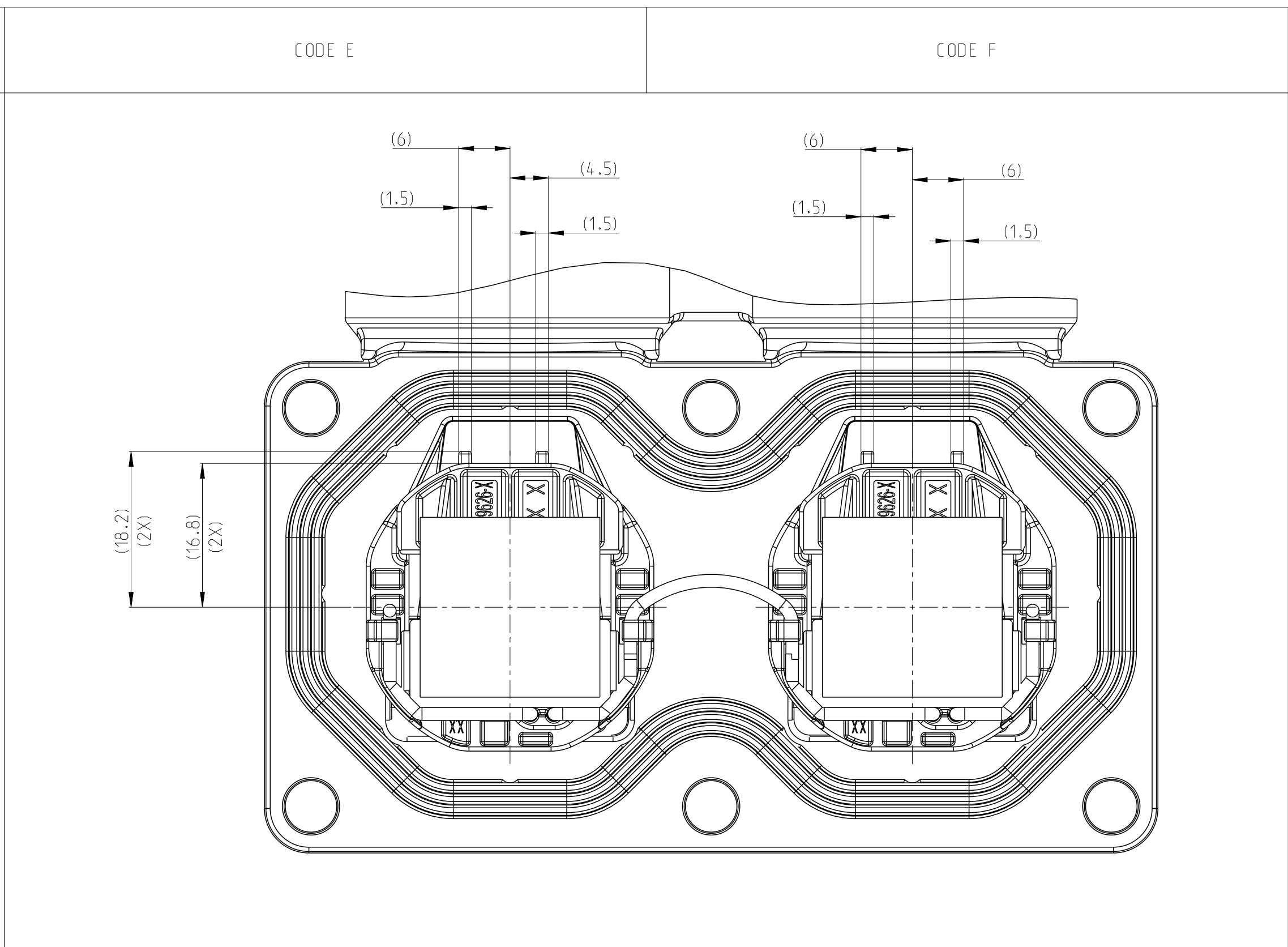
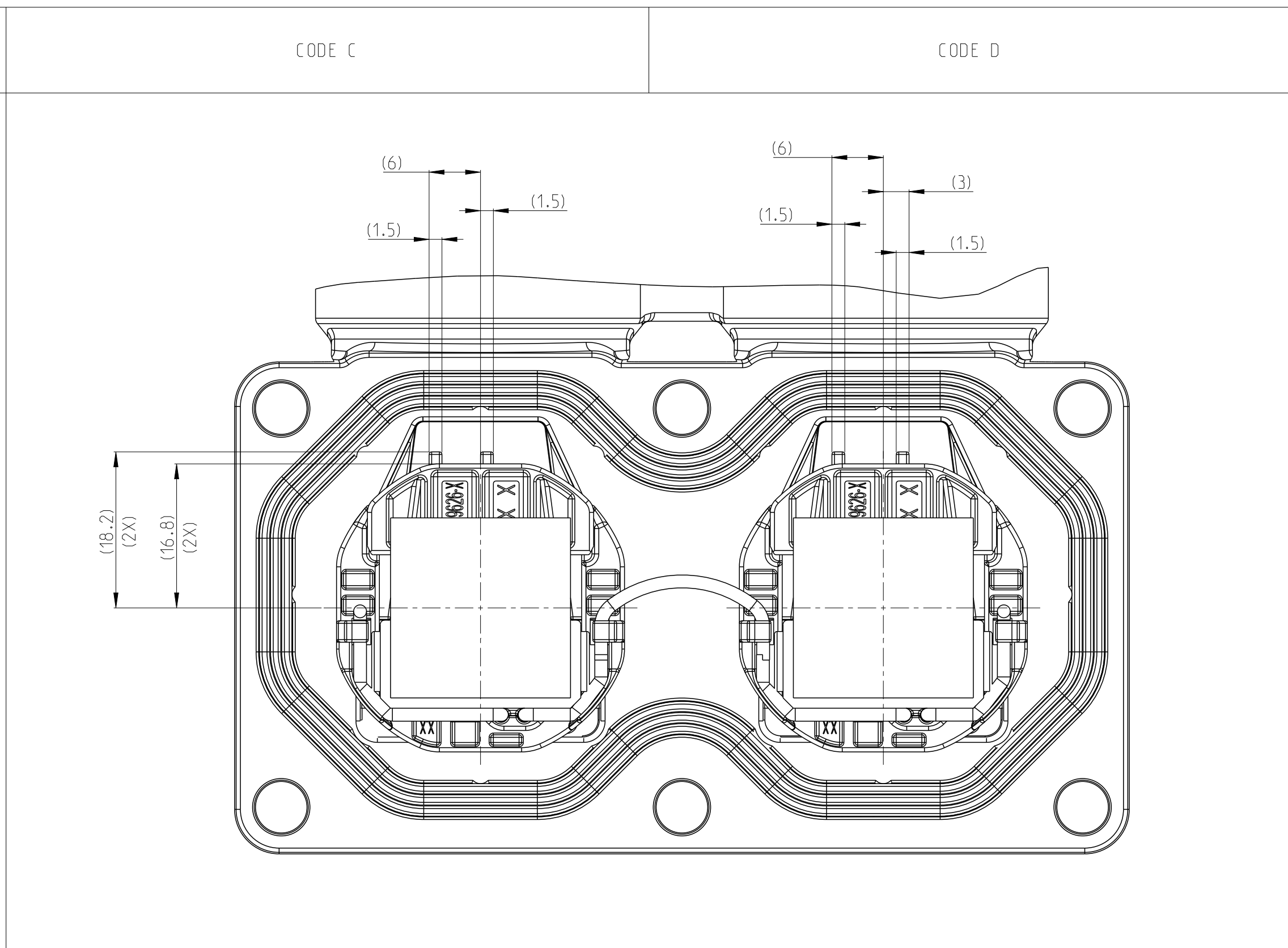
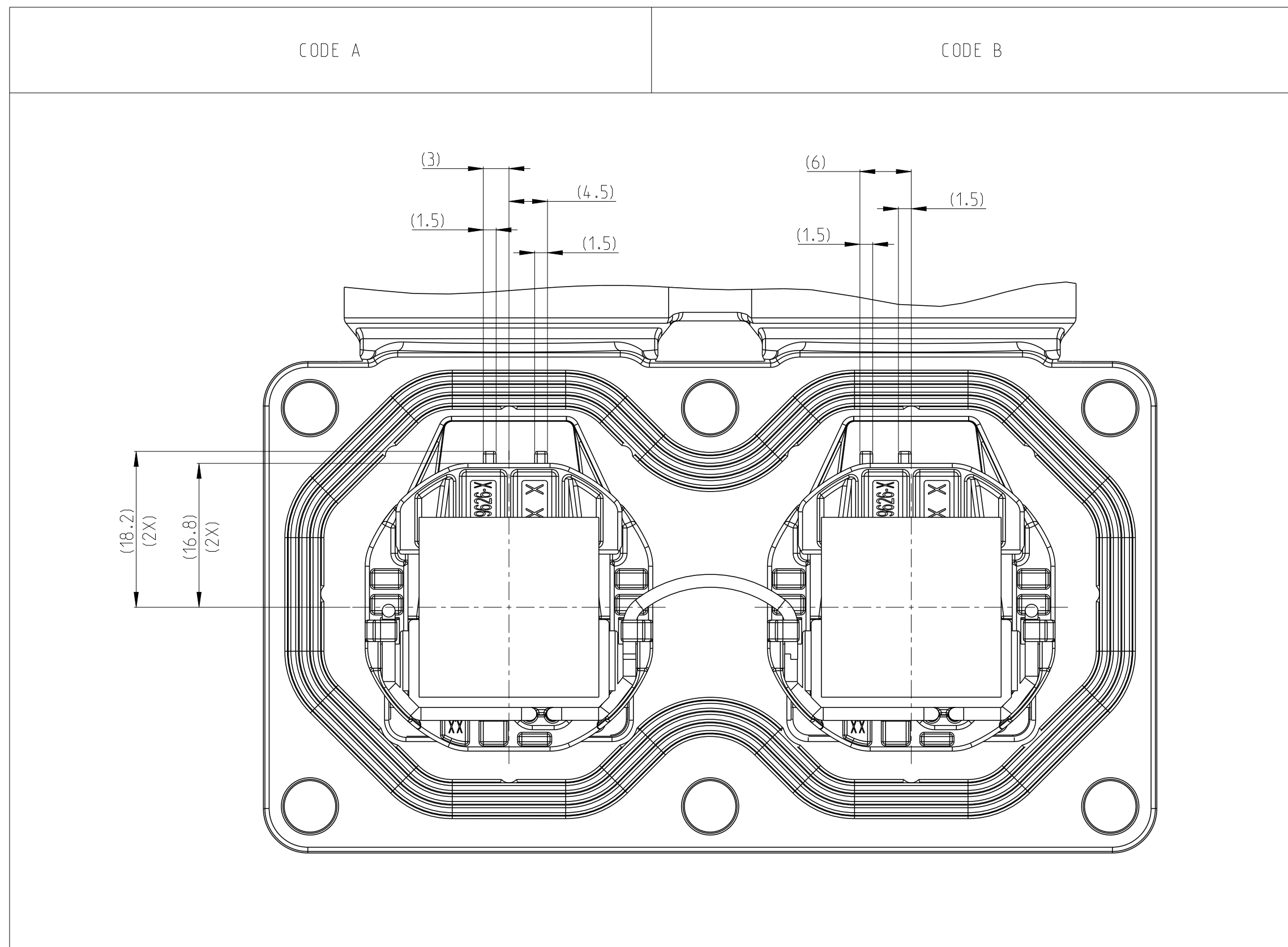
2POS.PIN DIA 14.0 HDR ASSY.90DEG HVP-HD14.00

114-160222

SCALE: 2:1



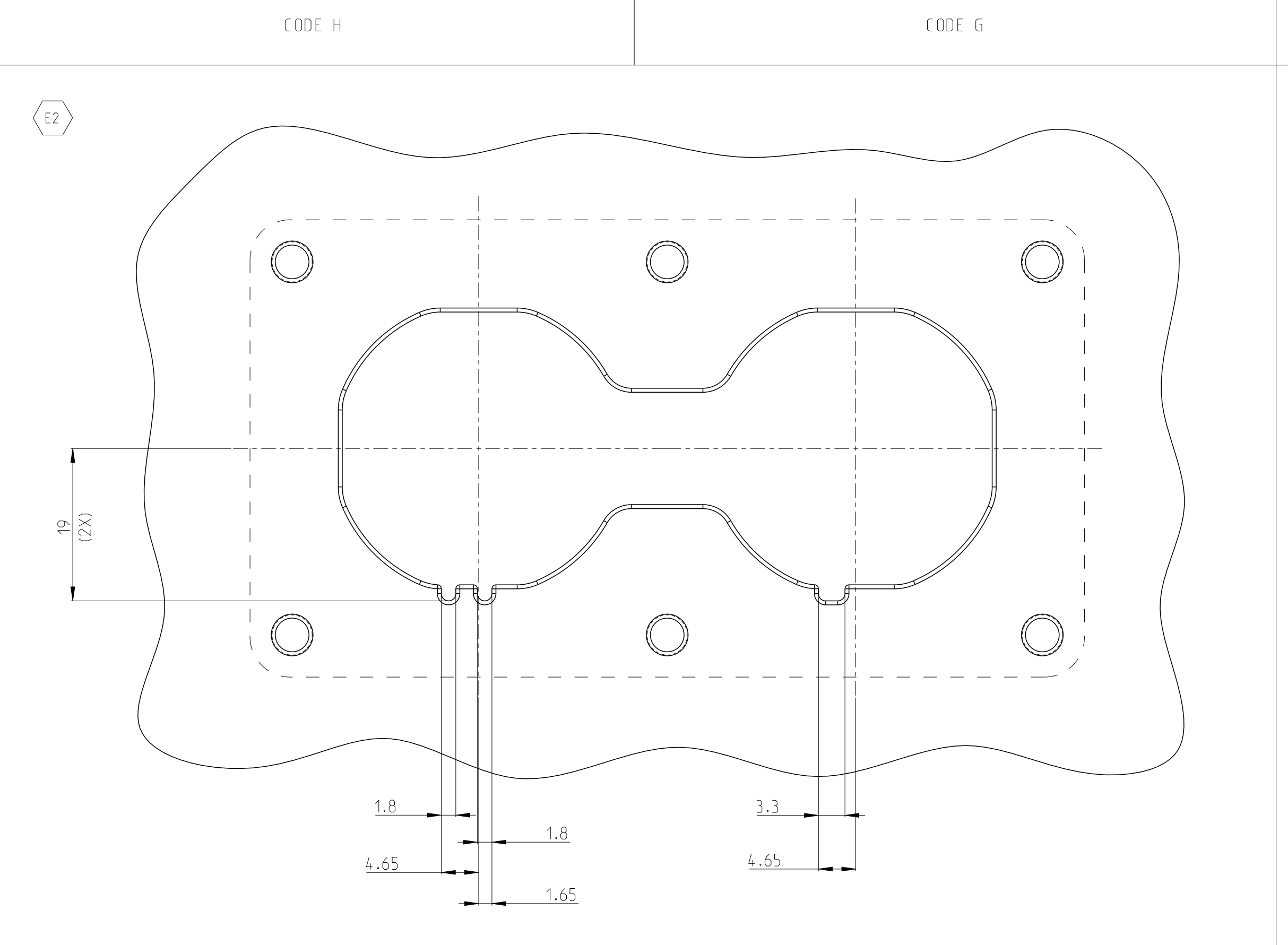
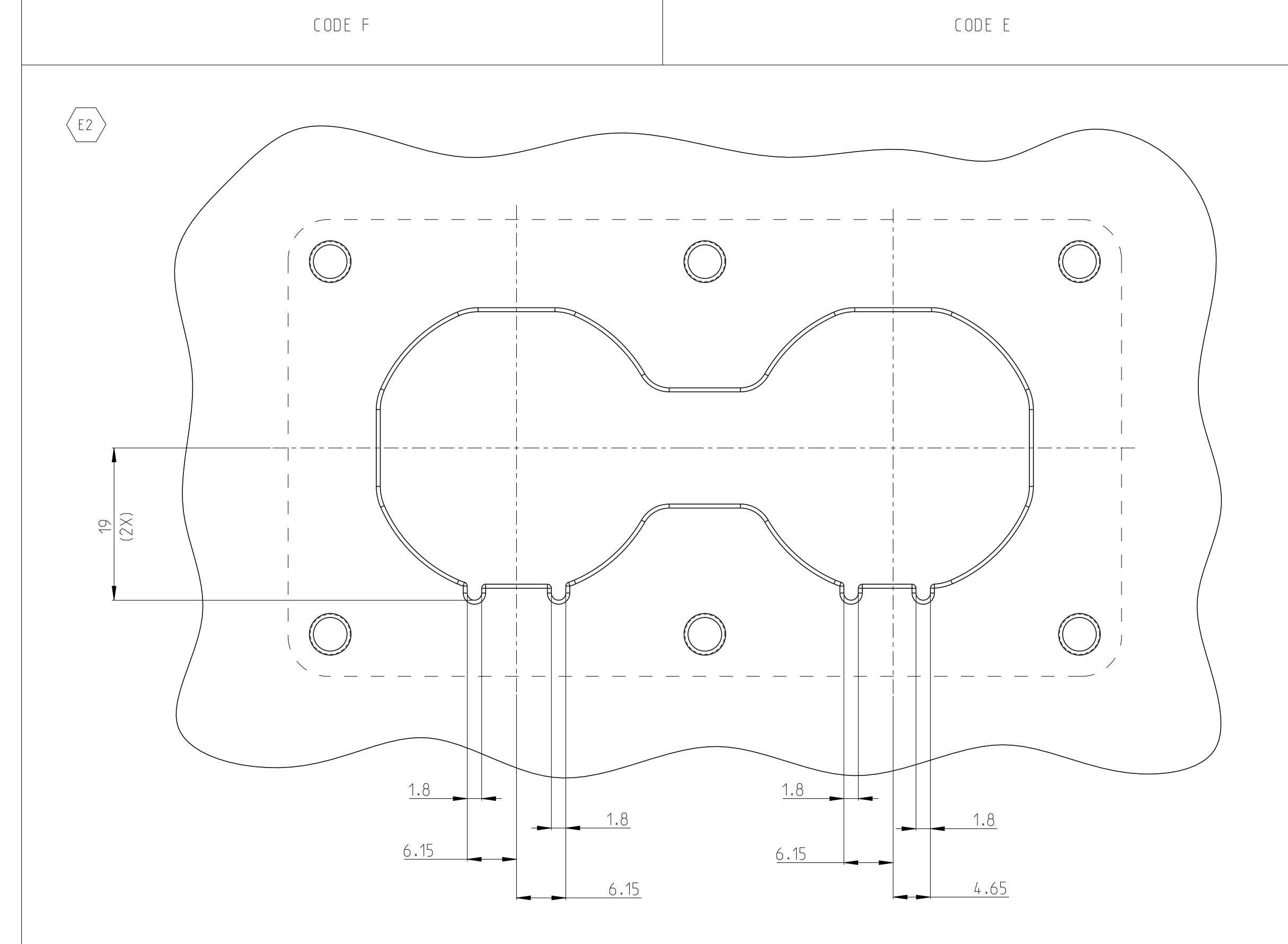
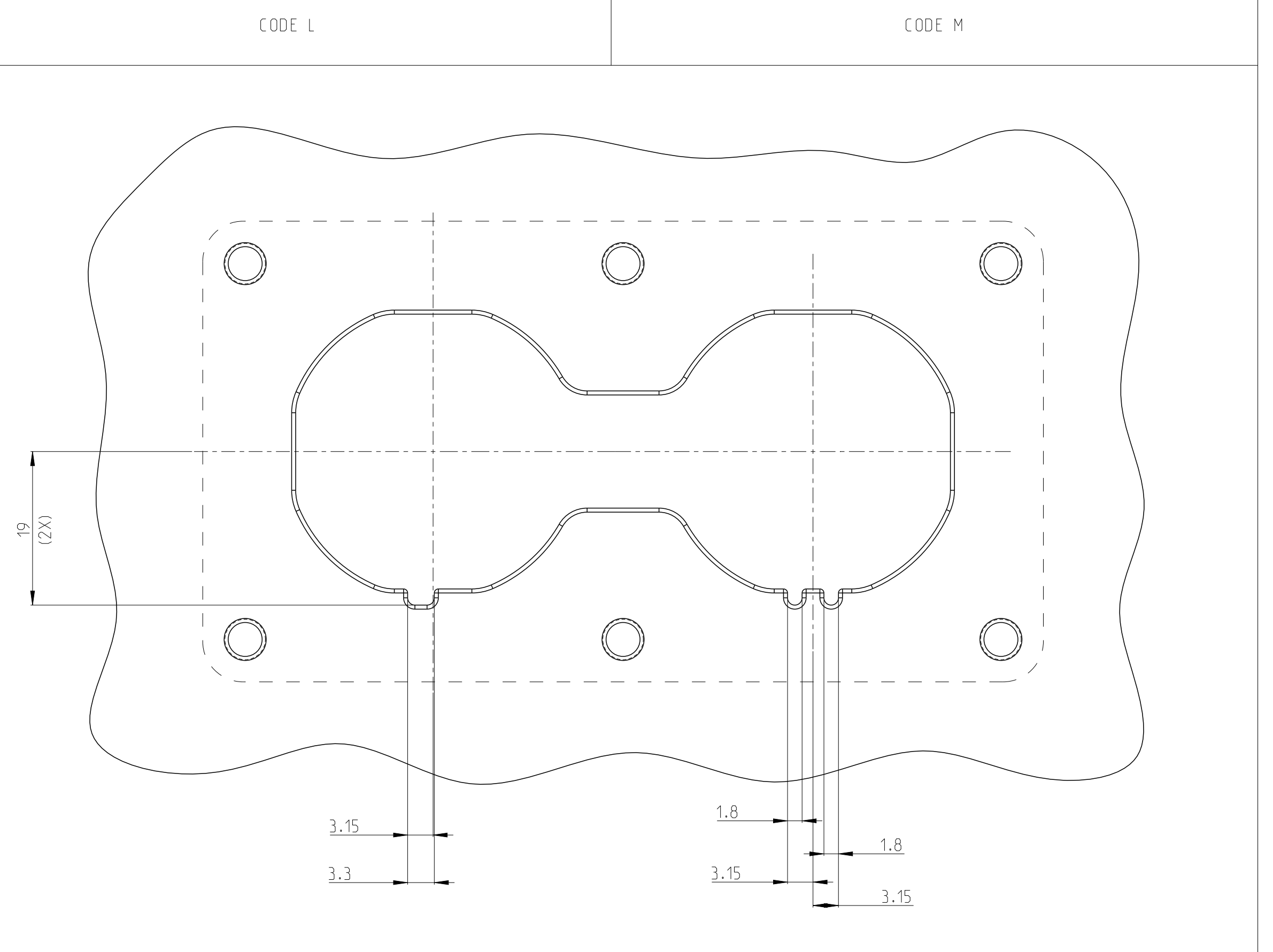
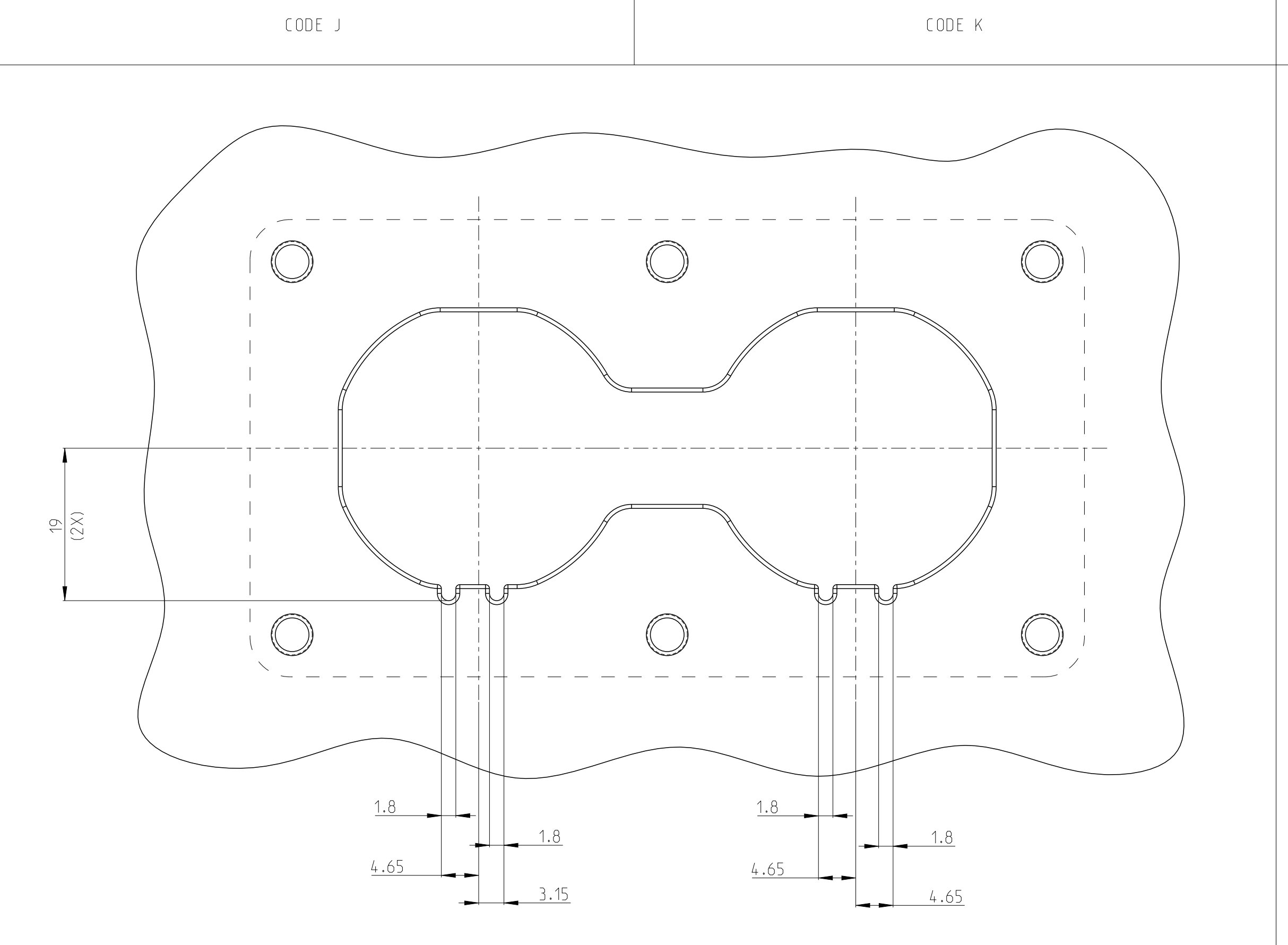
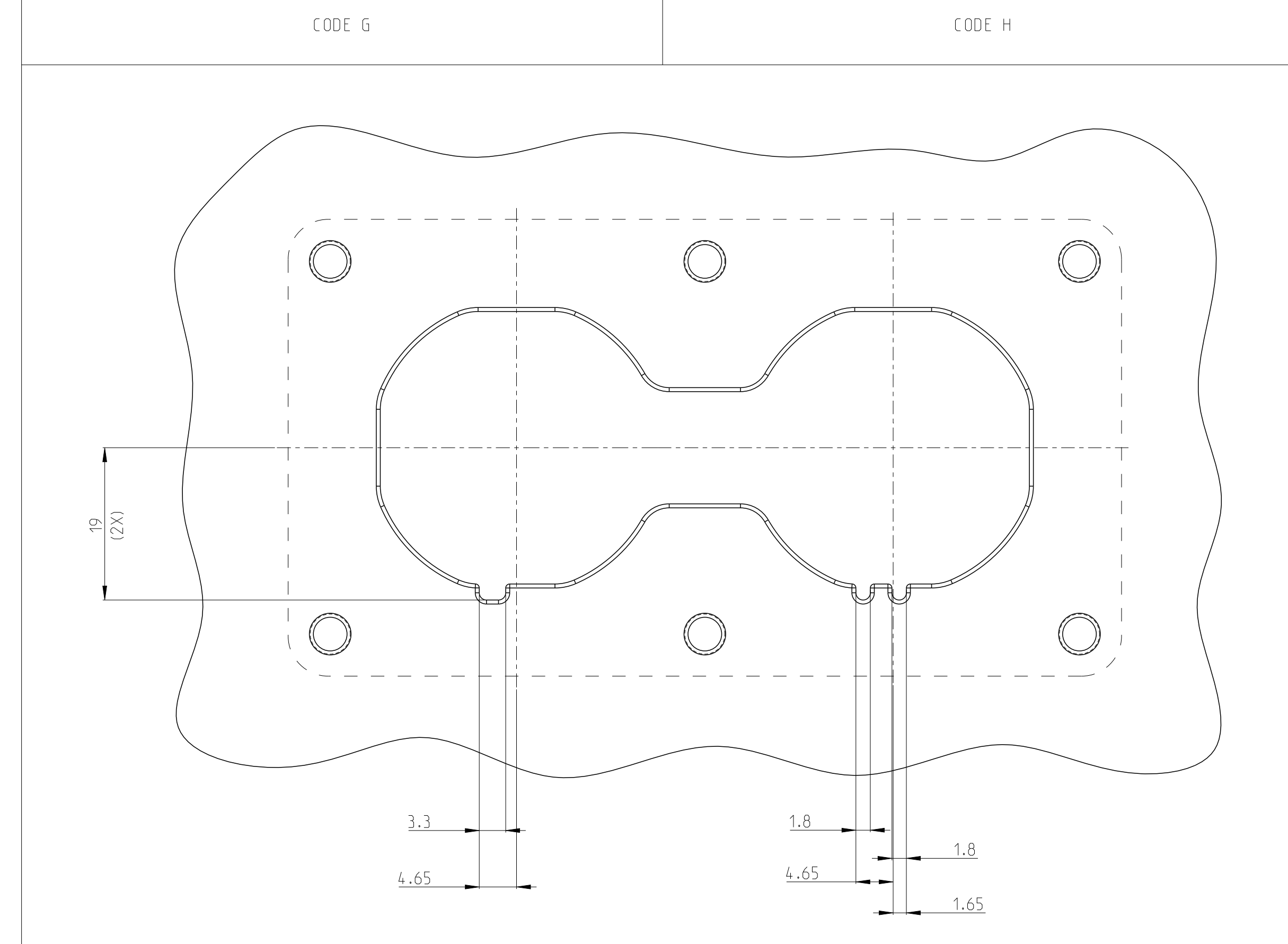
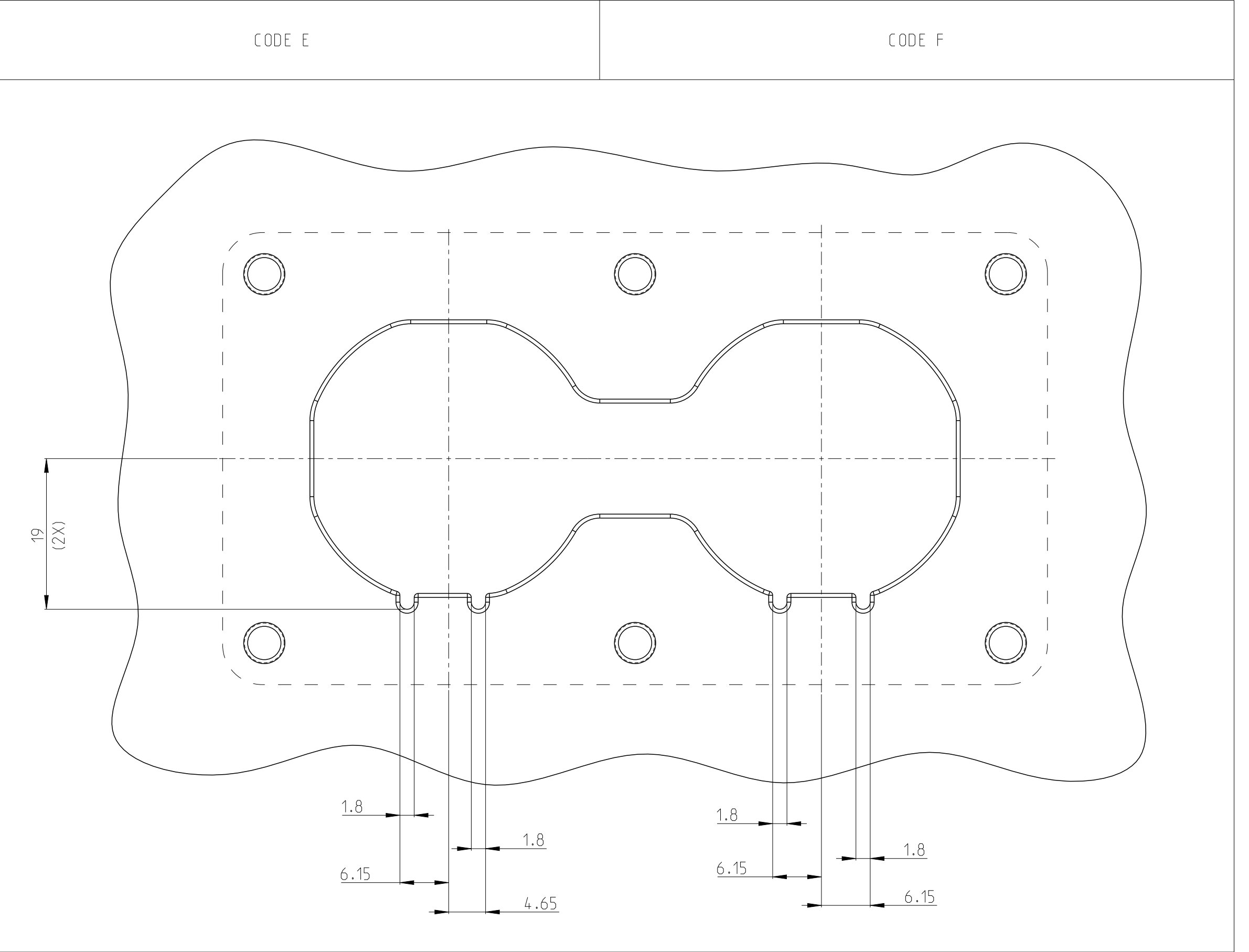
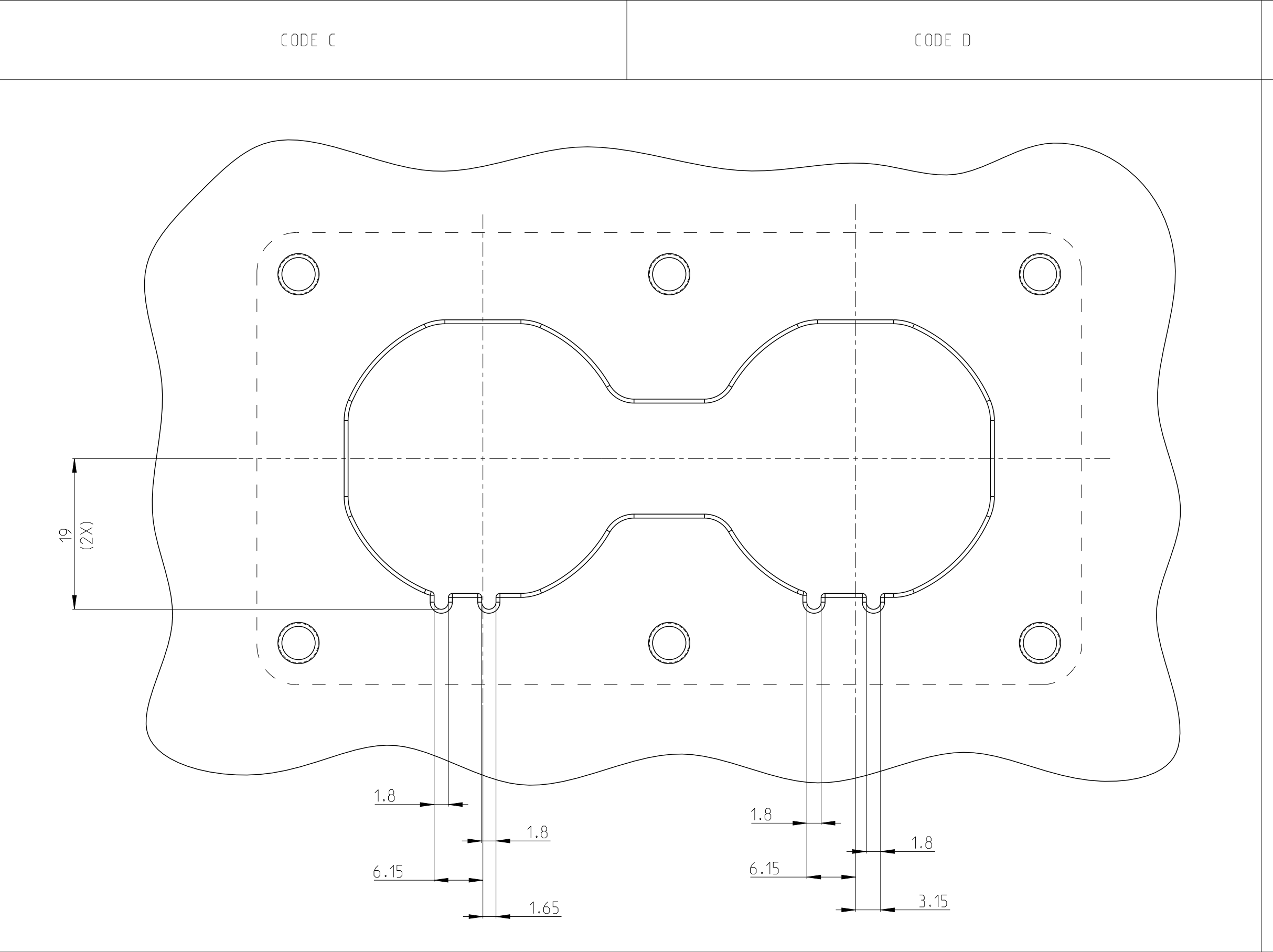
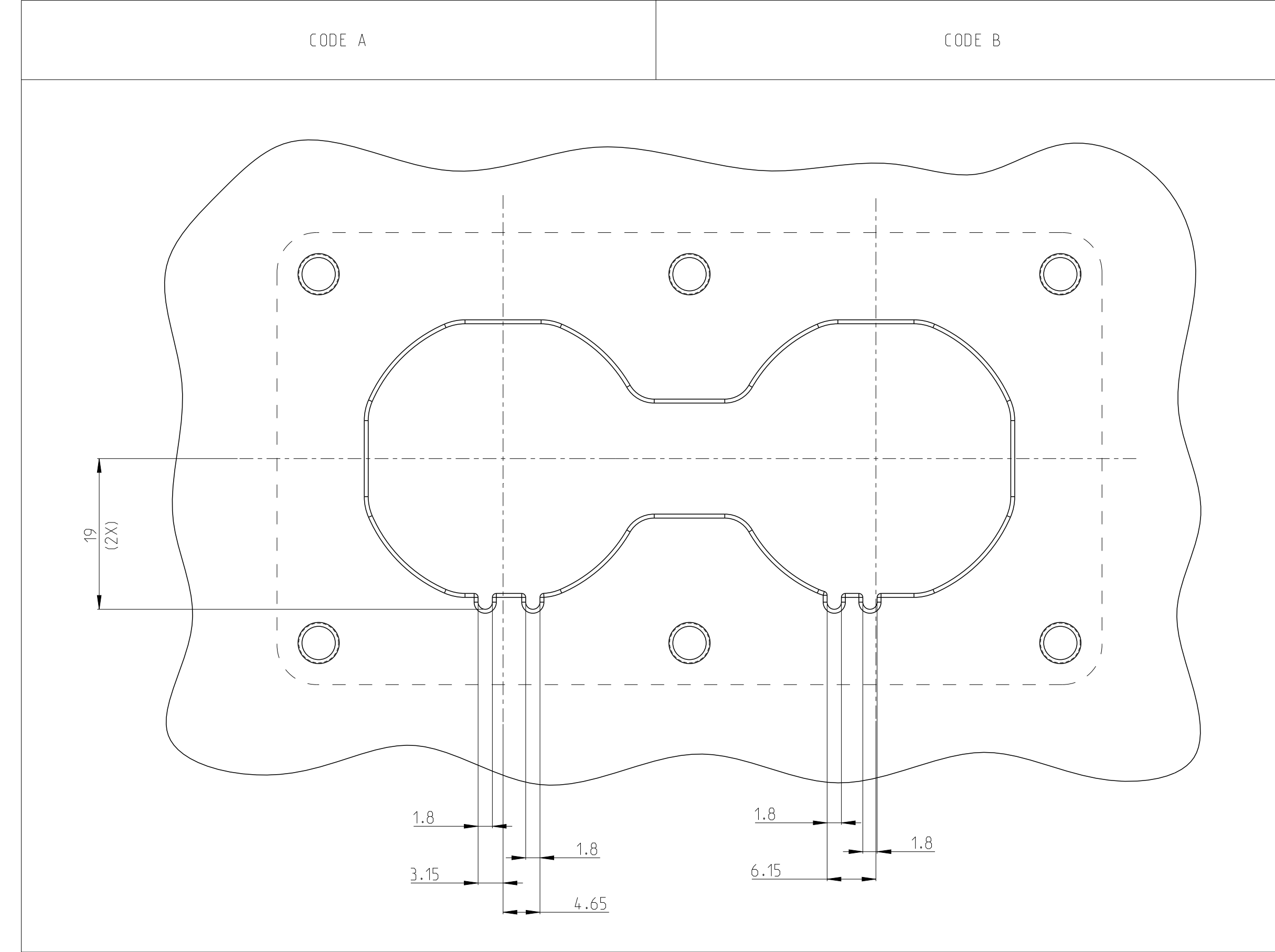
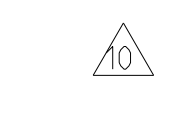
REVISIONS			
REV	DATE	BY	APPV
-	SEE SHEET 1	-	-



THIS DRAWING IS A CONTROLLED DOCUMENT.				DESIGNED BY: S. TAN	DATE: 29DEC2021
DRAWN BY: J. L. L.				CHECKED BY: J. L. L.	DATE: 29DEC2021
APPROVED BY: J. L. L.				DATE: 29DEC2021	
DIMENSIONS: UNLESS OTHERWISE SPECIFIED, DIMENSIONS ARE IN MILLIMETERS.		TOLERANCES UNLESS OTHERWISE SPECIFIED:		MATERIAL: SEE TABLE	
F	±0.5	PLC	±0.1	WEIGHT: SEE TABLE	
M	±0.1	PIN	±0.05	CUSTOMER DRAWING	
H	±0.05	APP	±0.005	SCALE: 2:1	
PL	±0.005	APPL	±0.002	SHEET 3 OF 4	
APPL	±0.002	APPL	±0.001	REV E2	

<b>STE</b> TE Connectivity	
NAME:	2POS.PIN DIA 14.0.HDR ASSY.90DEG HVP-HD14.00
PROJECT SPEC:	108-1604.07
APPLICATION SPEC:	114-160222
SITE:	00779
CASE CODE:	C=2399610
DRAWING NO:	A0
RESTRICTED TO:	-

REVISIONS			
REV	DATE	BY	APPD
-	-	-	-
-	-	-	-



THIS DRAWING IS A CONTROLLED DOCUMENT.		DATE: 29DEC2021	REV: 1
DRAWN BY: S. TAN	CHECKED BY: J. L.	DATE: 29DEC2021	REV: 1
DESIGNED BY: S. TAN	APPROVED BY: J. L.	DATE: 29DEC2021	REV: 1
DATE: 29DEC2021	PRODUCT SPEC: 108-160407	APPLICATION SPEC: 114-160222	WEIGHT: SEE TABLE
MATERIAL: SEE TABLE	SCALE: 2:1	SHEET: 6	OF: 4
CUSTOMER DRAWING		SCALE: 2:1	SHEET: 6



2POS.PIN DIA 14.0.HDR ASSY.90DEG HVP-HD1400

SCALE: 2:1 SHEET: 6 OF: 4 REV: E2