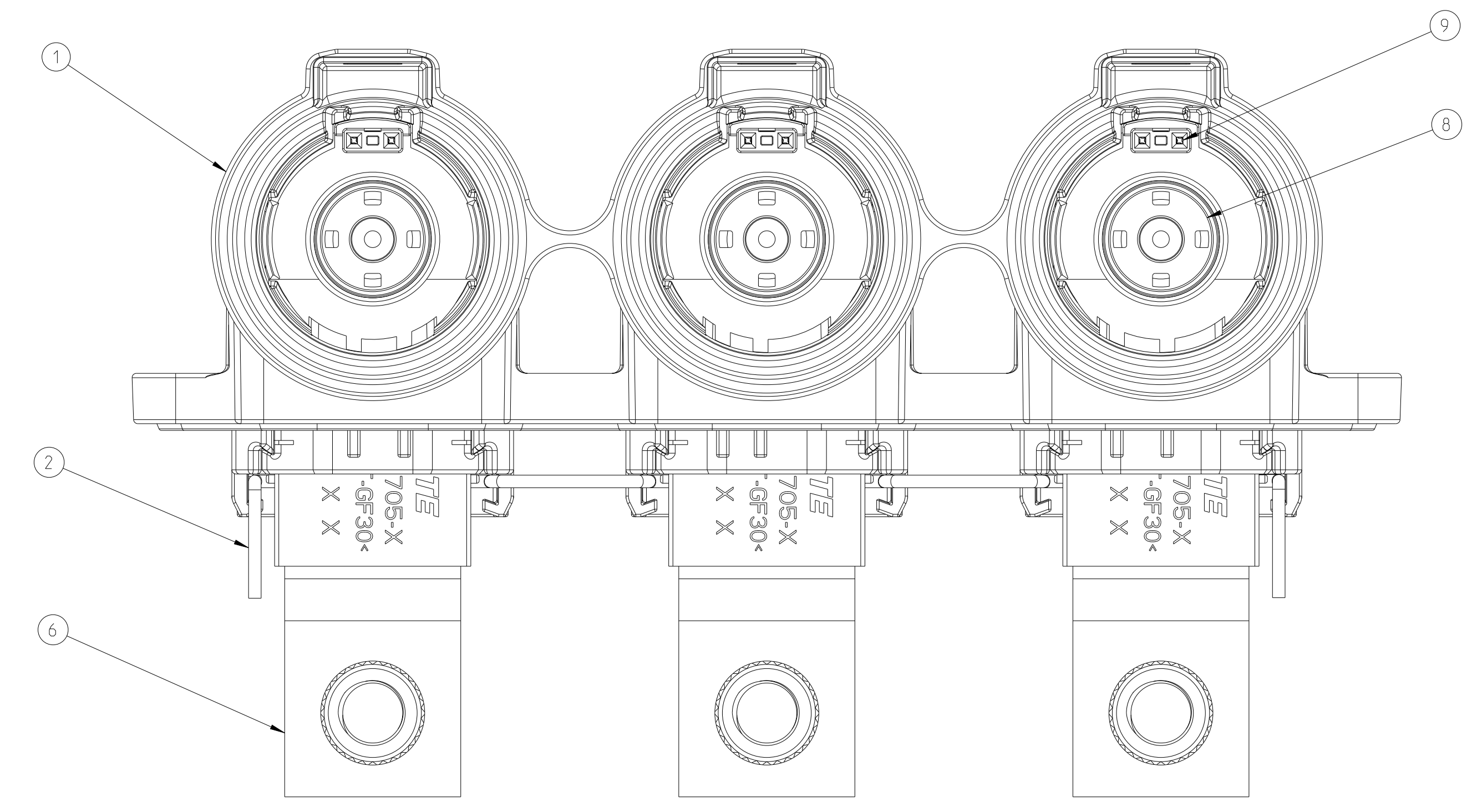
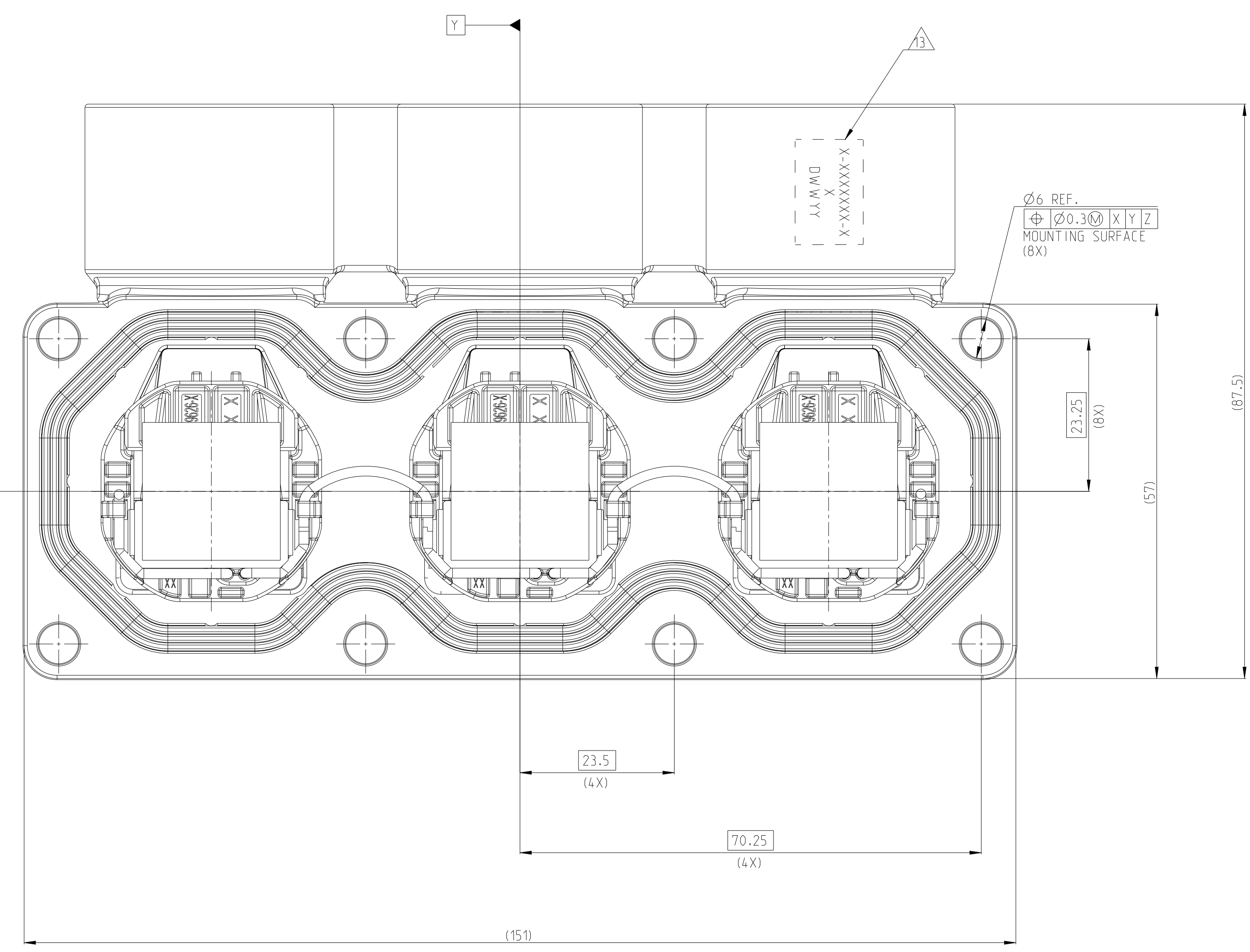
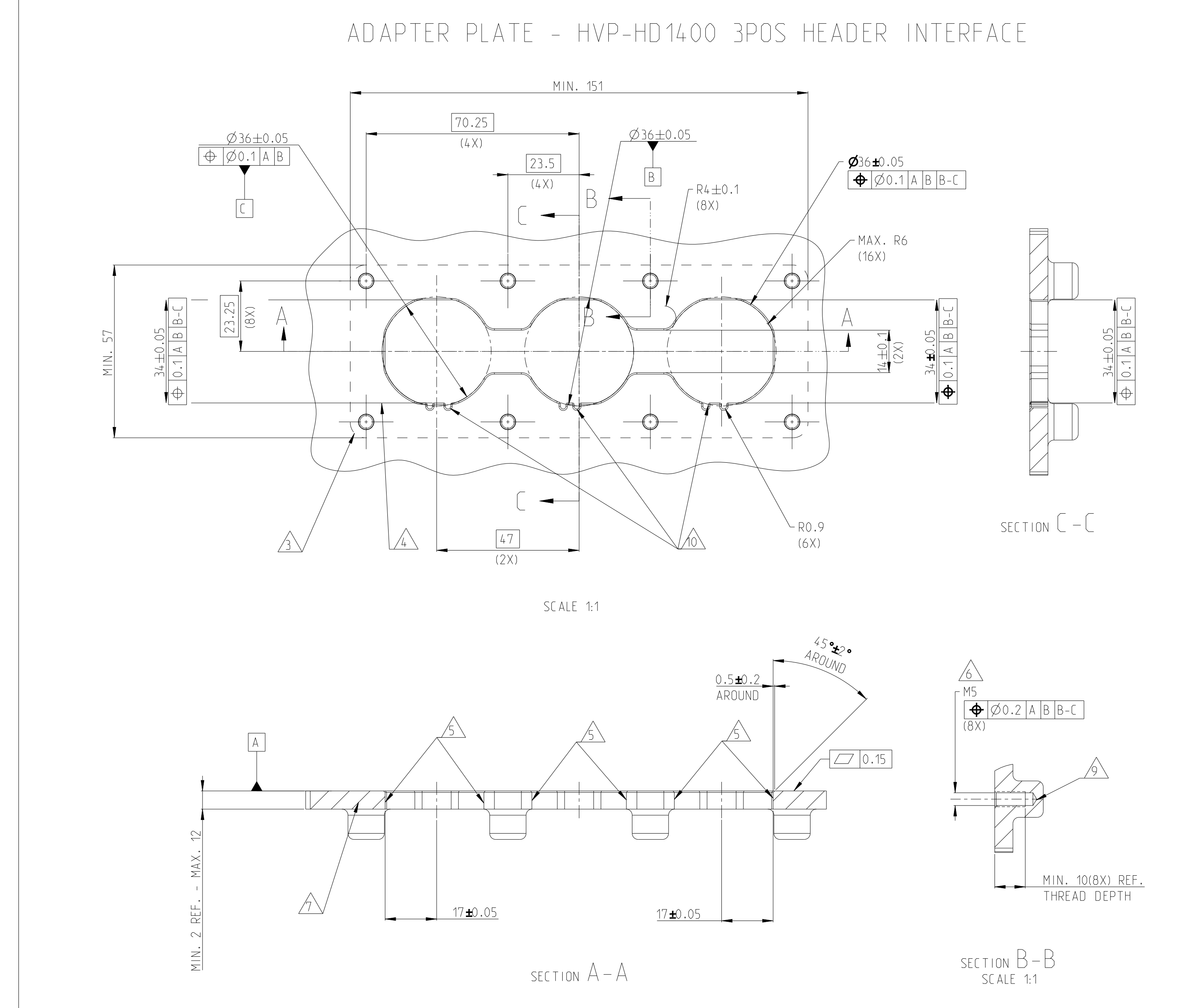
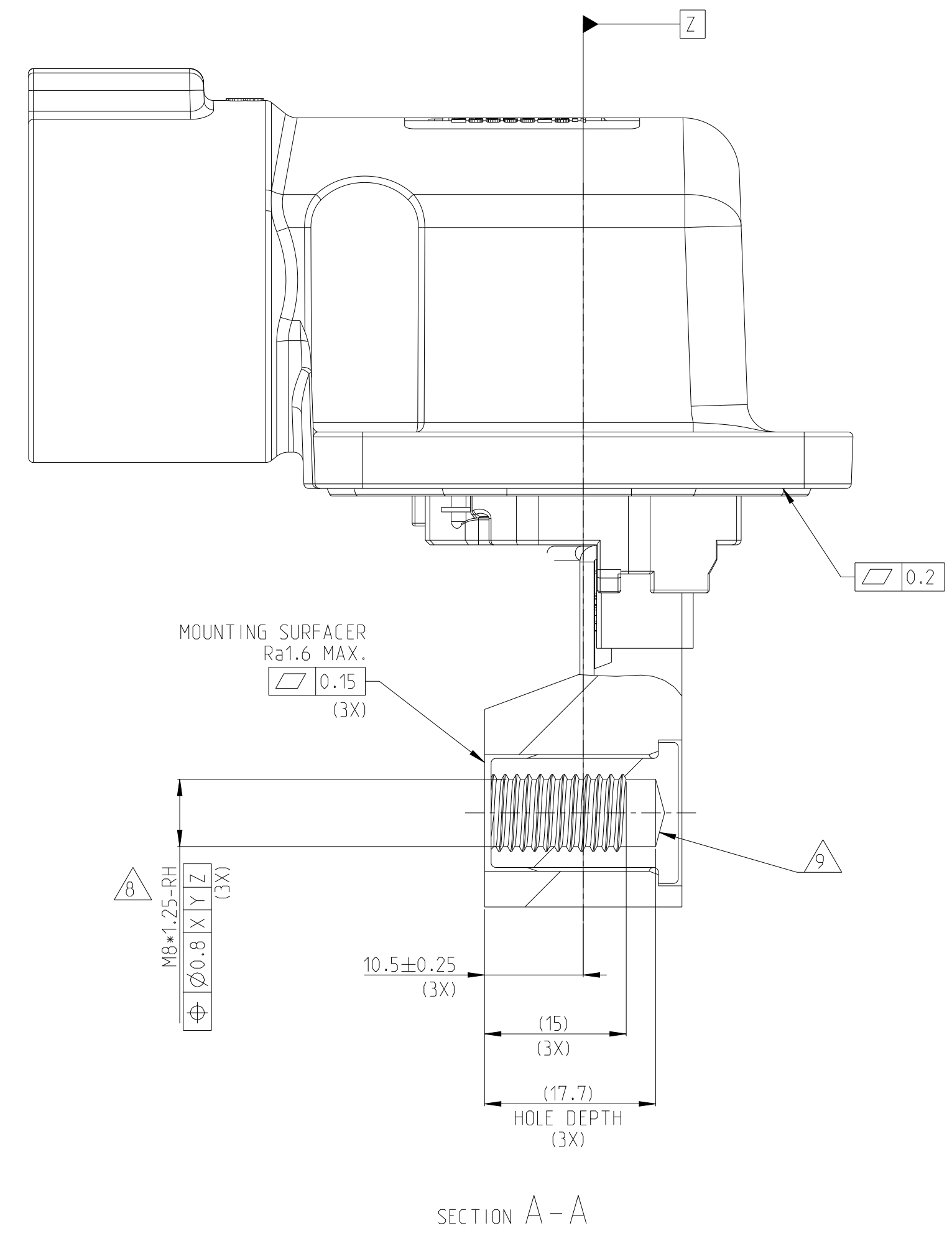
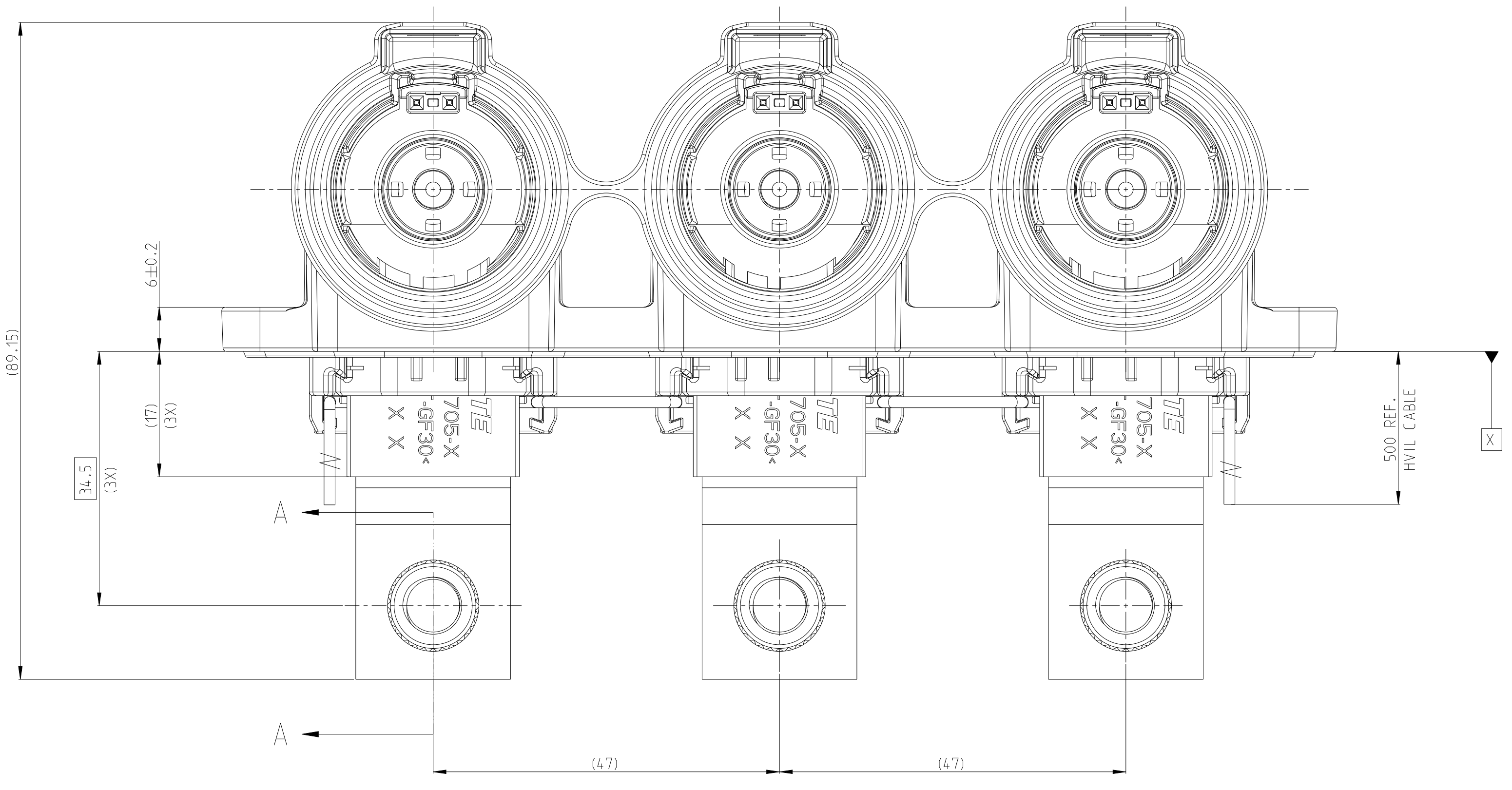
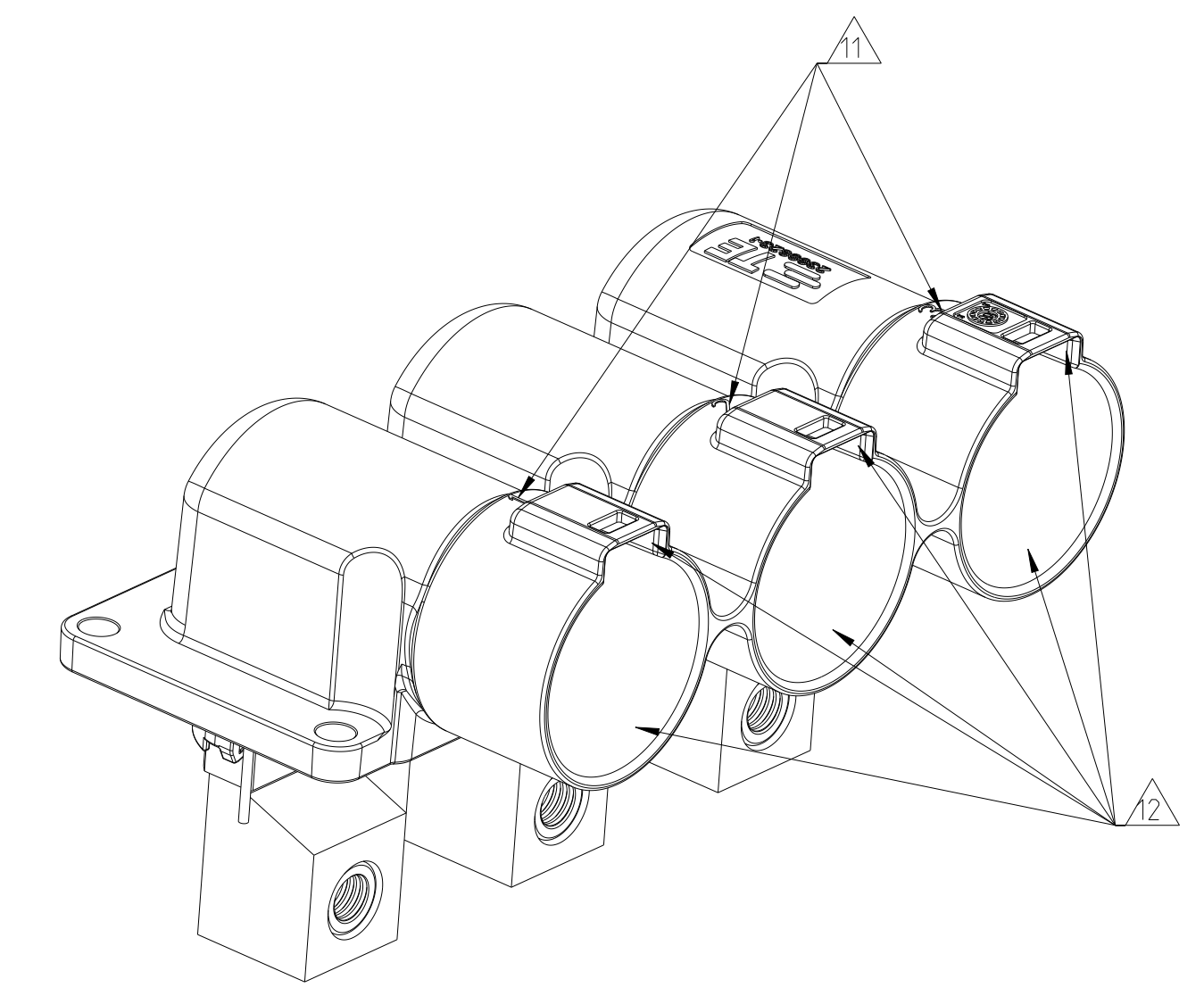
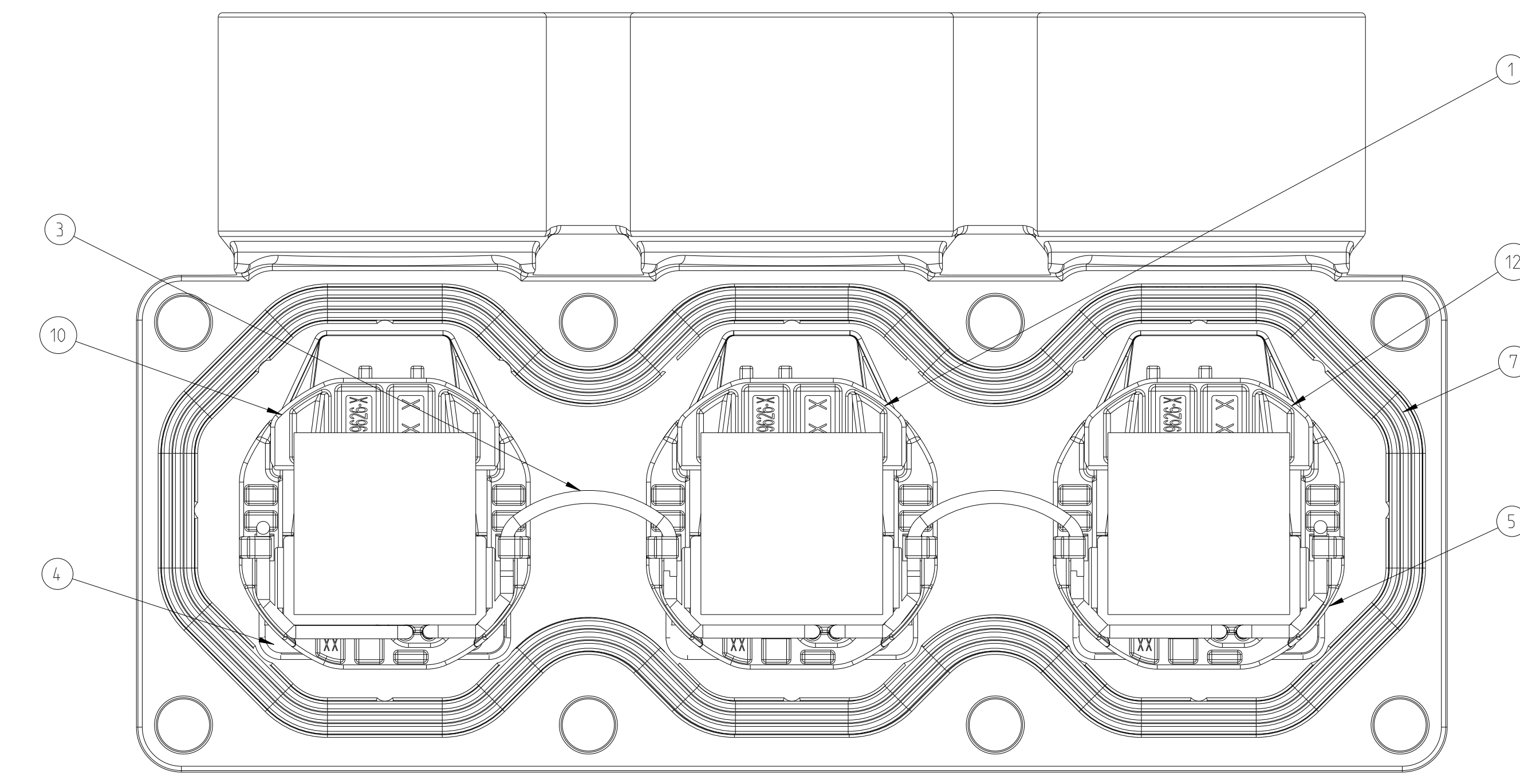


REVISIONS			
REV	DATE	DESCRIPTION	APP'D
C	30DEC23	CAP STRUCTURE	S.T
D	18MAY24	PLATED HOLE COATING CHANGED, LUBRICANT ADDED, NEW ADDED. THE NEW MATERIAL CHANGES FOR THE FORMER APPROVED MATERIAL.	S.T
E	14NOV24	PCN-24-206191	S.T
E.1	30NOV24	ADD PLATING PROCESS HOLE IN THE TOP ORIENTATION OF BUSBAR	S.T



- SUITABLE COUNTERPART OF HVP-HD1400 REFER TO:
KIT DRAWING OF PLUG PRE ASSY WITH TPA: 2400957 (70-120 STD. CABLE), 2468625 (70-120 FLEX CABLE), 2413468 (150 FLEX CABLE)
DRAWING OF PLUG PRE ASSY WITHOUT TPA: 2446256
DRAWING OF TPA: 2399679
- △ CODING VARIANT
 - △ MOUNTING SPACE FOR HEADER
 - △ SEALING AREA AND BURR, TOOL PARTING, SHRINKAGE, CAVITIES AND GATE MARKS PERMITTED. SURFACE ROUGHNESS: Ra=1.6
 - △ DRAFT ANGLE UP TO 0.5° PERMITTED
 - △ MOUNTING SCREW M5 (RECOMMENDED SCREW PLATING: ZINC-NICKEL) SCREW TYPE UP TO MANUFACTURER
 - △ MATERIAL: CORROSION RESISTANT, ELECTROCONDUCTIVE
 - △ SCREW M6 FOR BUSBAR CONNECTION
 - △ ALL THREAD HOLES ARE BLIND HOLES
 - △ INTERFACE PANEL CODE SEE SHEET 4
 - △ POSITION NUMBER
 - △ LUBRICANT APPLIED ON THE RADIAL SEAL AREA AND CPA AREA
 - △ ASSEMBLY PN: X-XXXXXXX-X
ASSEMBLY REV: X
DATE CODE: QWYY



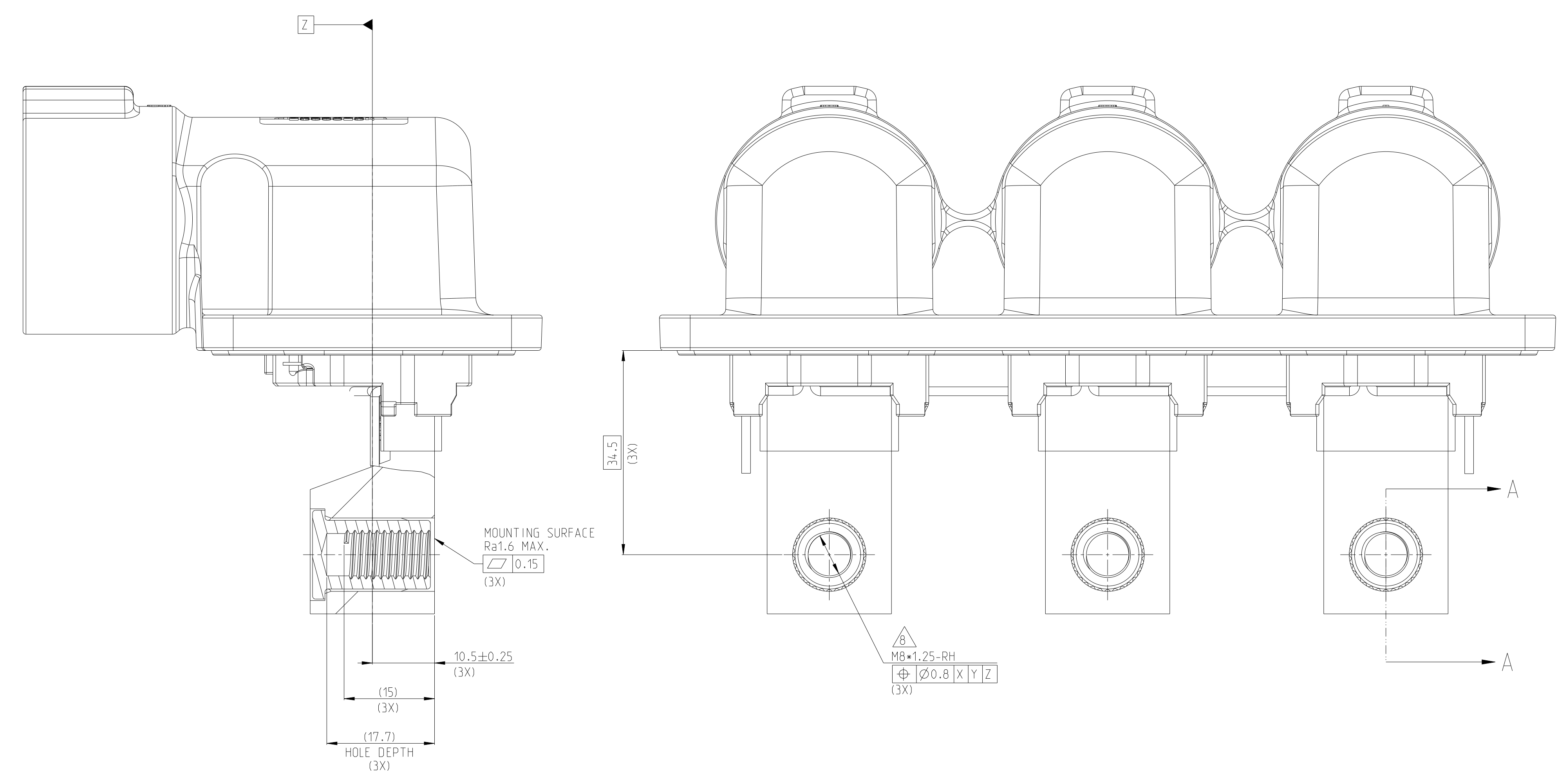
TE-ASSY-NO	TE REV.	CODE	DESCRIPTION	DESCRIPTION	CODE	MATERIAL	PASSIVATION SURFACE COLOR / TREATMENT	WEIGHT (g)	QTY	ITEM
2399611-4	E	K/L/M	3POS, PIN DIA 14.0 HDR ASSY, 90DEG	CODE HOUSING	M	PA66-GF	AQUA RED	1	12	
				CODE HOUSING	L	PA66-GF	AQUA BROWN	1	11	
				CODE HOUSING	K	PA66-GF	AQUA GREEN	1	10	
				FOLLOW 2399611-1	-	-	-	-	1-9	
2399611-3	E	G/H/J	3POS, PIN DIA 14.0 HDR ASSY, 90DEG	CODE HOUSING	J	PA66-GF	ORANGE	1	12	
				CODE HOUSING	H	PA66-GF	YELLOW	1	11	
				CODE HOUSING	G	PA66-GF	RED	1	10	
				FOLLOW 2399611-1	-	-	-	-	1-9	
2399611-2	E	D/E/F	3POS, PIN DIA 14.0 HDR ASSY, 90DEG	CODE HOUSING	F	PA66-GF	BROWN	1	12	
				CODE HOUSING	E	PA66-GF	GREEN	1	11	
				CODE HOUSING	D	PA66-GF	PURPLE	1	10	
				FOLLOW 2399611-1	-	-	-	-	1-9	
2399611-1	E	A/B/C	3POS, PIN DIA 14.0 HDR ASSY, 90DEG	CODE HOUSING	C	PA66-GF	BLUE	1	12	
				CODE HOUSING	B	PA66-GF	NATURE	1	11	
				CODE HOUSING	A	PA66-GF	BLACK	1	10	
				HEADER TPA	-	PA66-GF	RED	3	9	
				FINGER PROTECTION CAP	-	PA66-GF	BLACK	3	8	
				FACE SEAL	-	SILICONE	RED	1	7	
				ONE PIECE BUSBAR OVERMOLD, FRONT SIDE	-	PA10T MOLDING	-	3	6	
				OUTER HOUSING	-	PA66-GF	BLACK	3	5	
				INNER HOUSING	-	PA66-GF	BLACK	3	4	
				HWVL WIRE (ECONI MOCAR 180 E 0.5SQMM, WHITE ACCORDING TO LV112) WITH TERMINAL2	-	-	-	2	3	
				HWVL WIRE (ECONI MOCAR 180 E 0.5SQMM, WHITE ACCORDING TO LV112) WITH TERMINAL1	-	-	-	2	2	
				HEADER HOUSING 90DEG, 3POS	-	AL-ALLOY	PASSIVATION	1	1	

THIS DRAWING IS A CONTROLLED DOCUMENT. DATE: 29DEC2021

TE Connectivity

3POS, PIN DIA 14.0, HDR ASSY, 90DEG HVP-HD1400

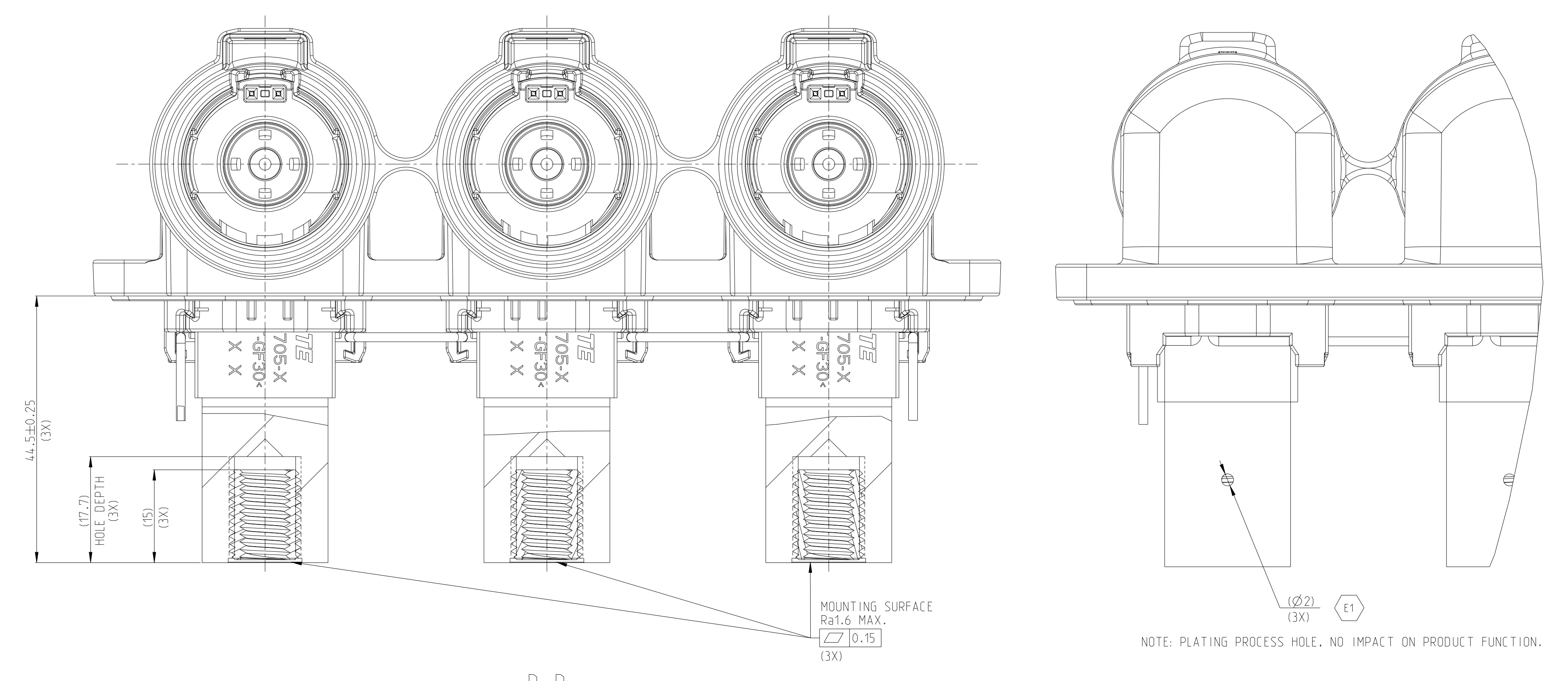
SCALE: 2:1 SHEET 1 OF 4



1. MISSING DIMENSIONS ACC. TO 2399611-1

TE-ASSY-NO	TE REV.	CODE	DESCRIPTION	DESCRIPTION	CODE	MATERIAL	PASSIVATION SURFACE COLOR /TREATMENT	WEIGHT (g)	QTY	ITEM
1-2399611-4	E	K/L/M	3POS,PIN DIA 14.0 HDR ASSY,90DEG	CODE HOUSING	M	PA66-GF	AQUA RED	(925)	1	12
				CODE HOUSING	L	PA66-GF	AQUA BROWN		1	11
				CODE HOUSING	K	PA66-GF	AQUA GREEN		1	10
				FOLLOW 1-2399611-1	-	-	-		-	1-9
1-2399611-3	E	G/H/J	3POS,PIN DIA 14.0 HDR ASSY,90DEG	CODE HOUSING	J	PA66-GF	ORANGE	(925)	1	12
				CODE HOUSING	H	PA66-GF	YELLOW		1	11
				CODE HOUSING	G	PA66-GF	RED		1	10
				FOLLOW 1-2399611-1	-	-	-		-	1-9
1-2399611-2	E	D/E/F	3POS,PIN DIA 14.0 HDR ASSY,90DEG	CODE HOUSING	F	PA66-GF	BROWN	(925)	1	12
				CODE HOUSING	E	PA66-GF	GREEN		1	11
				CODE HOUSING	D	PA66-GF	PURPLE		1	10
				FOLLOW 1-2399611-1	-	-	-		-	1-9
1-2399611-1	E	A/B/C	3POS,PIN DIA 14.0 HDR ASSY,90DEG	CODE HOUSING	C	PA66-GF	BLUE	(925)	1	12
				CODE HOUSING	B	PA66-GF	NATURE		1	11
				CODE HOUSING	A	PA66-GF	BLACK		1	10
				HEADER TPA	-	PA66-GF	RED		3	9
				FINGER PROTECTION CAP	-	PA66-GF	BLACK		3	8
				FACE SEAL	-	SILICONE	RED		1	7
				ONE PIECE BUSBAR OVERMOLD, BACK SIDE	-	PA10T MOLDING	-		3	6
				OUTER HOUSING	-	PA66-GF	BLACK		3	5
				INNER HOUSING	-	PA66-GF	BLACK		3	4
				HVIL W IRE(LEONI) MOCAR 180 E 0.55QMM,WHITE ACCORDING TO LV112) WITH TERMINAL2	-	-	-		2	3
				HVIL W IRE(LEONI) MOCAR 180 E 0.55QMM,WHITE ACCORDING TO LV112) WITH TERMINAL1	-	-	-		2	2
HEADER HOUSING 90DEG,3POS	-	AL-ALLOY	PASSIVATION SURFACE COLOR /TREATMENT	1	1					

REVISIONS			
REV	DATE	BY	APPD
1	29DEC2021	CH	LL
2	29DEC2021	AP	YIN
3	29DEC2021	PLC	W
4	29DEC2021	PLC	W
5	29DEC2021	PLC	W
6	29DEC2021	PLC	W
7	29DEC2021	PLC	W
8	29DEC2021	PLC	W
9	29DEC2021	PLC	W
10	29DEC2021	PLC	W



1. MISSING DIMENSIONS ACC. TO 2399611-1

TE-ASSY-NO	TE REV.	CODE	DESCRIPTION	DESCRIPTION	CODE	MATERIAL	PASSIVATION SURFACE COLOR /TREATMENT	WEIGHT (g)	QTY	ITEM
2-2399611-4	E	K/L/M	3POS,PIN DIA 14.0 HDR ASSY,90DEG	CODE HOUSING	M	PA66-GF	AQUA RED	(925)	1	12
				CODE HOUSING	L	PA66-GF	AQUA BROWN		1	11
				CODE HOUSING	K	PA66-GF	AQUA GREEN		1	10
				FOLLOW 2-2399611-1	-	-	-		-	1-9
2-2399611-3	E	G/H/J	3POS,PIN DIA 14.0 HDR ASSY,90DEG	CODE HOUSING	J	PA66-GF	ORANGE	(925)	1	12
				CODE HOUSING	H	PA66-GF	YELLOW		1	11
				CODE HOUSING	G	PA66-GF	RED		1	10
				FOLLOW 2-2399611-1	-	-	-		-	1-9
2-2399611-2	E	D/E/F	3POS,PIN DIA 14.0 HDR ASSY,90DEG	CODE HOUSING	F	PA66-GF	BROWN	(925)	1	12
				CODE HOUSING	E	PA66-GF	GREEN		1	11
				CODE HOUSING	D	PA66-GF	PURPLE		1	10
				FOLLOW 2-2399611-1	-	-	-		-	1-9
2-2399611-1	E	A/B/C	3POS,PIN DIA 14.0 HDR ASSY,90DEG	CODE HOUSING	C	PA66-GF	BLUE	(925)	1	12
				CODE HOUSING	B	PA66-GF	NATURE		1	11
				CODE HOUSING	A	PA66-GF	BLACK		1	10
				HEADER TPA	-	PA66-GF	RED		3	9
				FINGER PROTECTION CAP	-	PA66-GF	BLACK		3	8
				FACE SEAL	-	SILICONE	RED		1	7
				ONE PIECE BUSBAR OVERMOLD, TOP SIDE	-	PA10T MOLDING	-		3	6
				OUTER HOUSING	-	PA66-GF	BLACK		3	5
				INNER HOUSING	-	PA66-GF	BLACK		3	4
				HVIL W IRE(LEONI) MOCAR 180 E 0.55QMM,WHITE ACCORDING TO LV112) WITH TERMINAL2	-	-	-		2	3
				HVIL W IRE(LEONI) MOCAR 180 E 0.55QMM,WHITE ACCORDING TO LV112) WITH TERMINAL1	-	-	-		2	2
HEADER HOUSING 90DEG,3POS	-	AL-ALLOY	PASSIVATION SURFACE COLOR /TREATMENT	1	1					

THIS DRAWING IS A CONTROLLED DOCUMENT. DATE: 29DEC2021

TE Connectivity

3POS,PIN DIA 14.0,HDR ASSY,90DEG HVP-HD14.00

14-160222

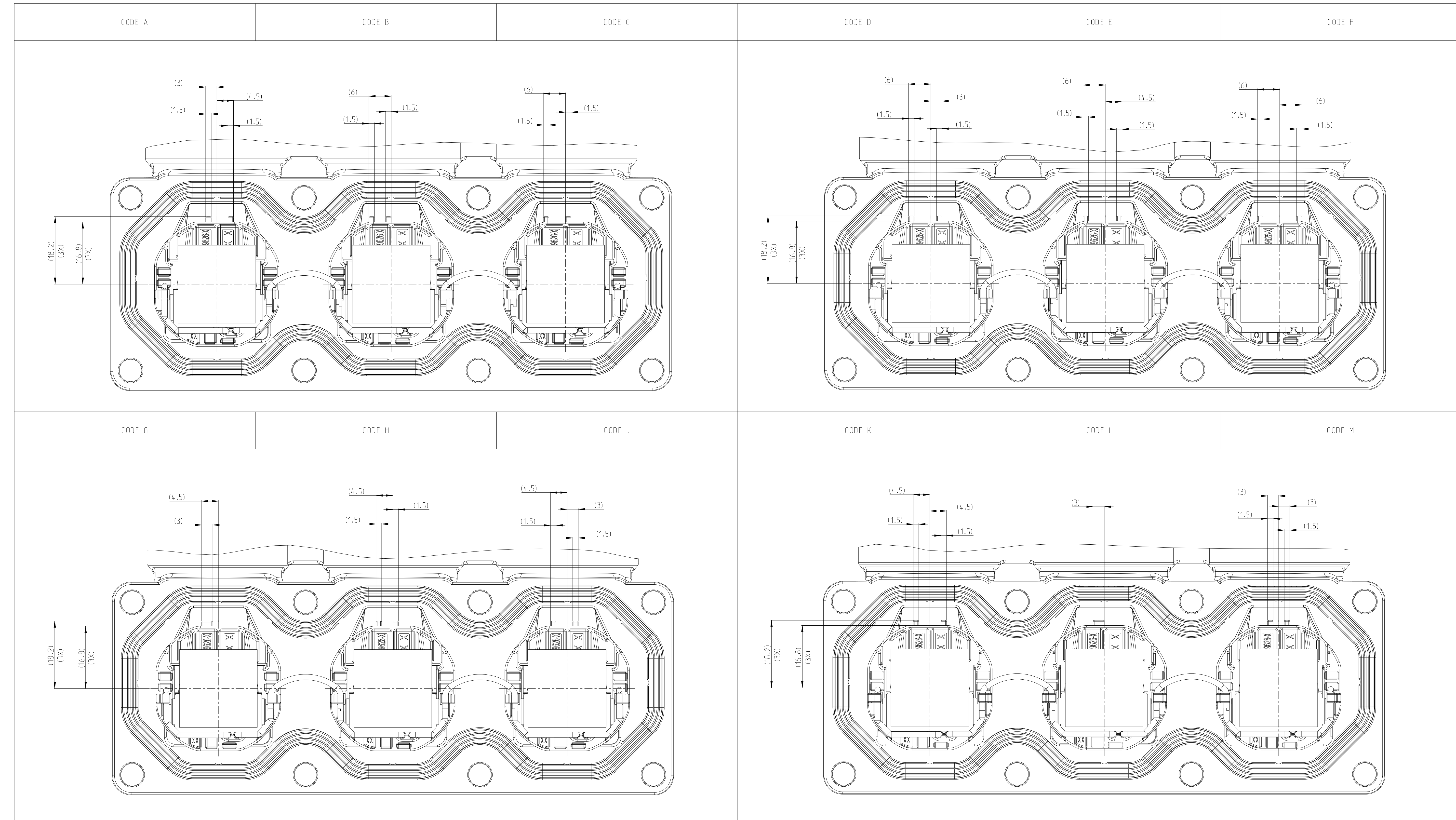
00779

SCALE: 2:1

SHEET 2 OF 4

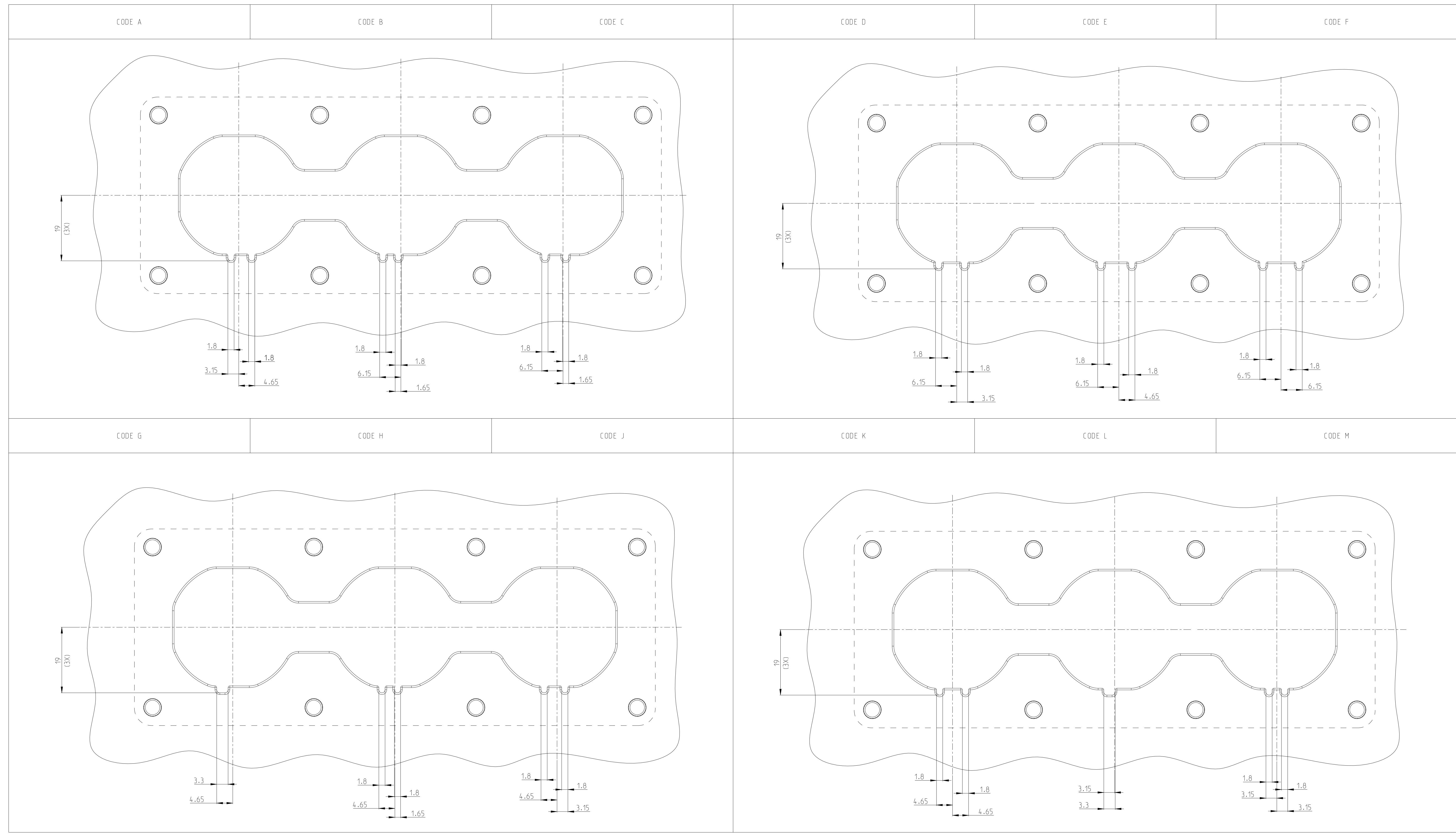
REV E1

REVISIONS			
REV	DATE	BY	APPD
-	SEE SHEET 1	-	-



THIS DRAWING IS A CONTROLLED DOCUMENT.		DATE: 29DEC2021	BY: S.TAN	APPD: L.L.
DIMENSIONS: UNLESS OTHERWISE SPECIFIED, DIMENSIONS ARE IN MILLIMETERS.		DATE: 29DEC2021	BY: L.L.	APPD: S.TAN
TOLERANCES: UNLESS OTHERWISE SPECIFIED, DIMENSIONS ARE IN MILLIMETERS.		DATE: 29DEC2021	BY: L.L.	APPD: S.TAN
MATERIAL: SEE TABLE		DATE: 29DEC2021	BY: L.L.	APPD: S.TAN
CUSTOMER DRAWING		DATE: 29DEC2021	BY: L.L.	APPD: S.TAN
SCALE: 2:1		DATE: 29DEC2021	BY: L.L.	APPD: S.TAN
SHEET 3 OF 4		DATE: 29DEC2021	BY: L.L.	APPD: S.TAN
REV 1		DATE: 29DEC2021	BY: L.L.	APPD: S.TAN
TE Connectivity		DATE: 29DEC2021	BY: L.L.	APPD: S.TAN
3POS. PIN DIA 14.0.HDR ASSY.90DEG HVP-HD14.00		DATE: 29DEC2021	BY: L.L.	APPD: S.TAN
108-1604.07		DATE: 29DEC2021	BY: L.L.	APPD: S.TAN
114-160222		DATE: 29DEC2021	BY: L.L.	APPD: S.TAN
00779		DATE: 29DEC2021	BY: L.L.	APPD: S.TAN
2399611		DATE: 29DEC2021	BY: L.L.	APPD: S.TAN

REVISIONS			
REV	DATE	BY	APPD
-	SEE SHEET 1	-	-



THIS DRAWING IS A CONTROLLED DOCUMENT. DATE: 29DEC2021

DESIGNED BY: S. TAN
 CHECKED BY: L.L.
 APPROVED BY: L.L.
 DATE: 29DEC2021

TE Connectivity

3POS. PIN DIA 14.0.HDR ASSY.90DEG
 HVP-HD14.00

114-160222

SCALE: 2:1

SHEET 4 OF 4

REV 1