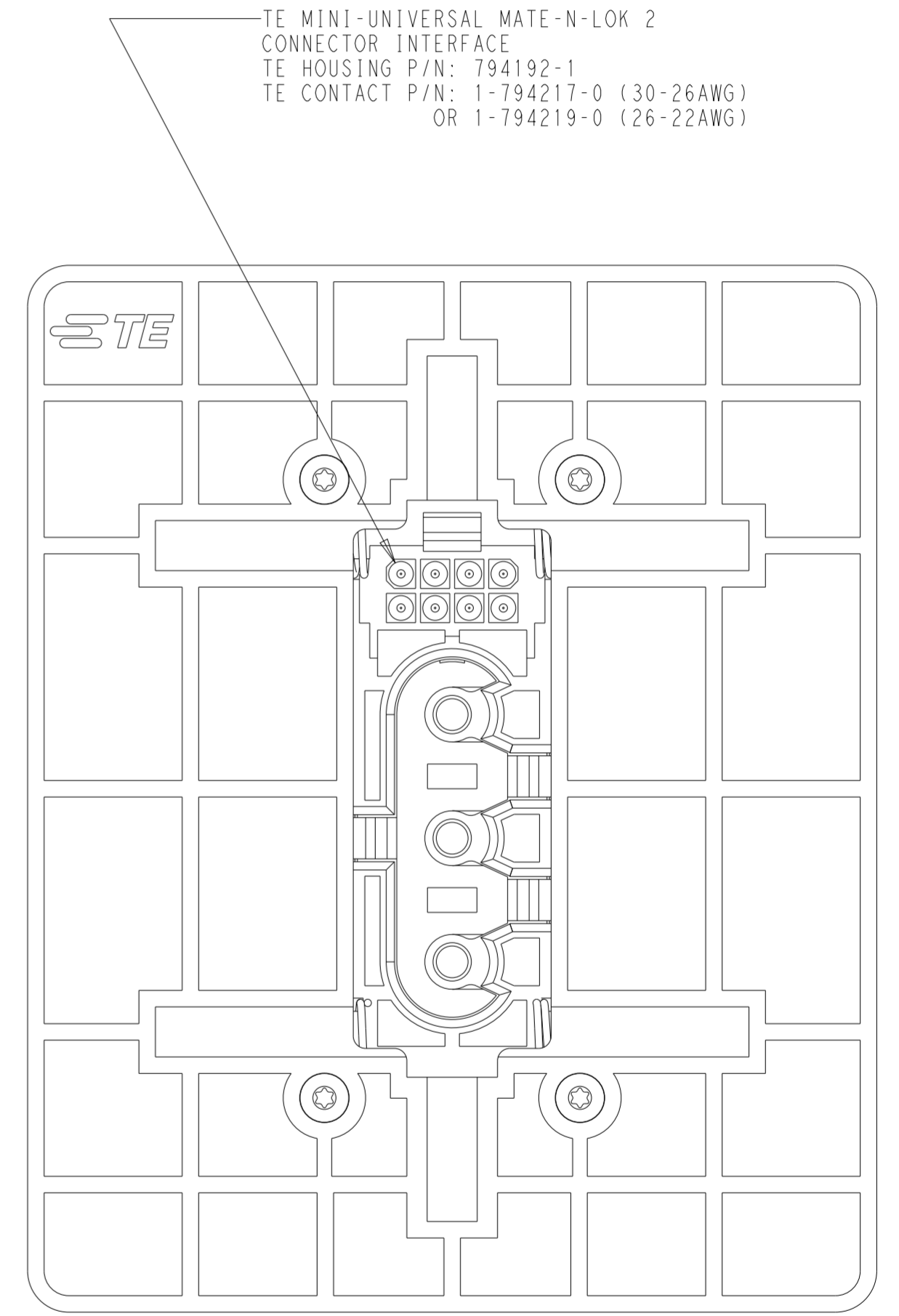
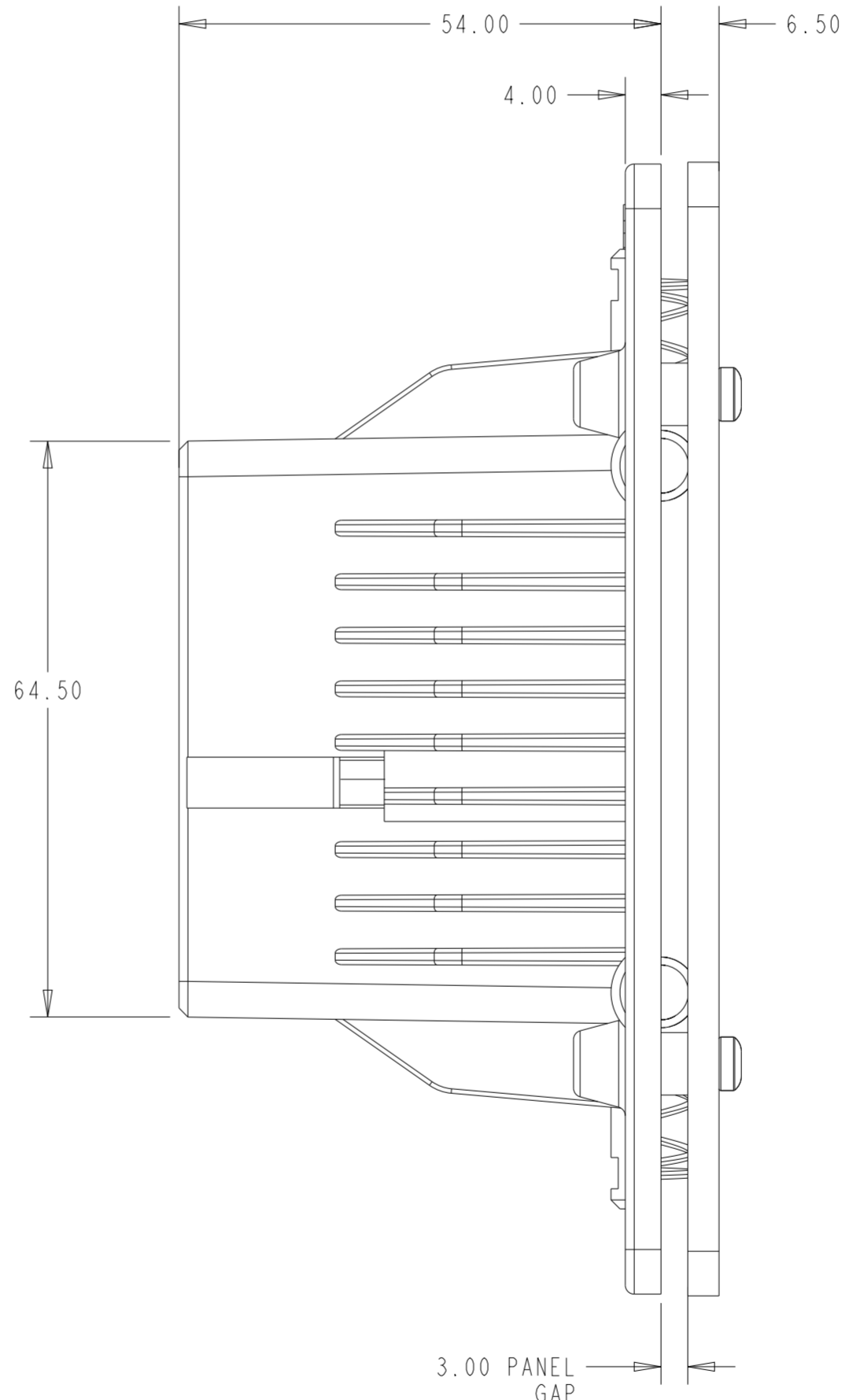
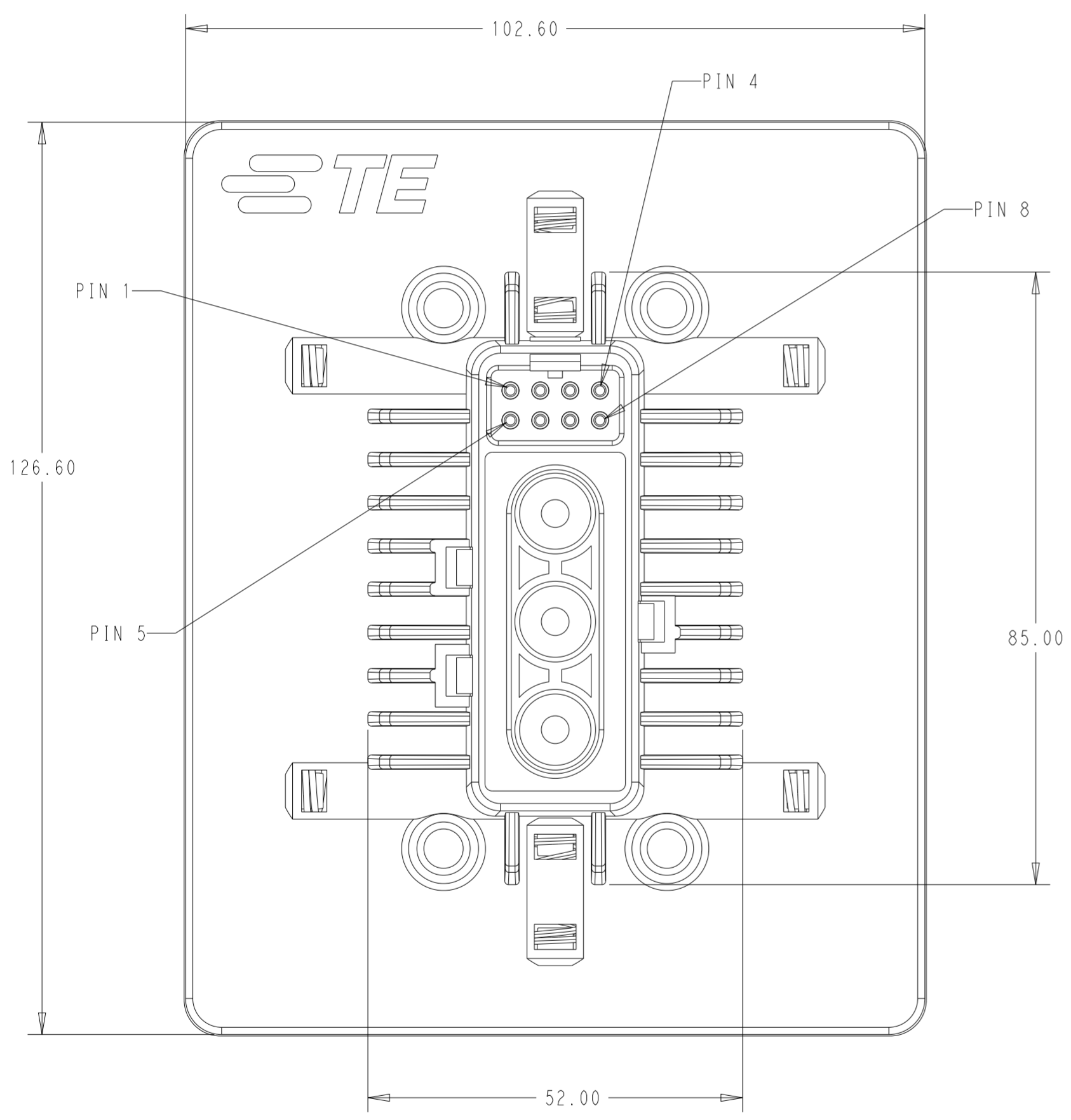


- 1 MATERIALS AND FINISH:
 - HOUSING: PBT; FLAMMABILITY: UL94 V-O, COLOR: BLACK
 - SIGNAL CONTACTS: COPPER ALLOY, FINISH: Au OVER Ni
 - SPRINGS: STEEL
 - SCREWS: STEEL

- 2. ALL MATERIALS MUST COMPLY WITH DIRECTIVE 2011/65/EU AND ITS AMENDMENTS (ROHS)
- 3. ALL MATERIALS MUST COMPLY WITH REGULATION (EC) NO 1907/2006 (REACH)
- 4. THIS PRODUCT HAS NOT COMPLETED VALIDATION TESTING

- 5 MATES WITH AMR BOT KIT ASSEMBLY, P/N: 2400405-1
- 6. RETAINER PLATE AND MOUNTING SCREWS NOT TO BE ASSEMBLED TO CONNECTOR SUB-ASSEMBLY
- 7. POWER PIN CONTACT (PURCHASED SEPARATELY) P/N: 2390329-1 REF

| REVISIONS | | | | |
|-----------|-----|-----------------|------------|-------|
| P | LTR | DESCRIPTION | DATE | APVD |
| A | | INITIAL RELEASE | 23SEPT2022 | CD CD |
| | | | | |
| | | | | |



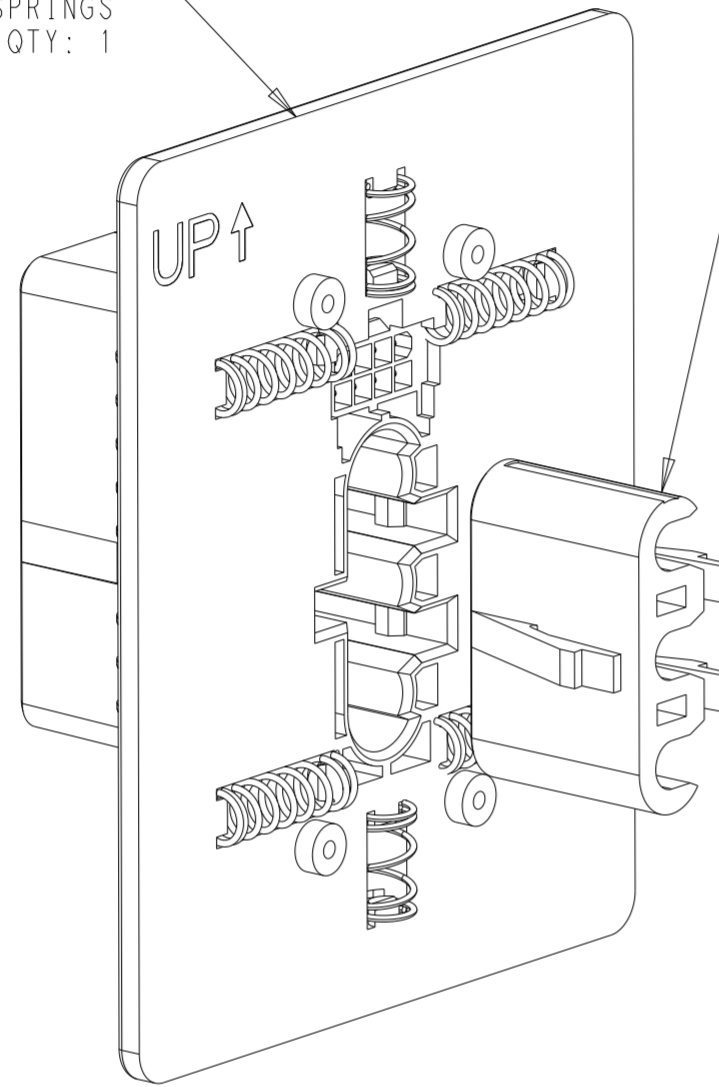
TE MINI-UNIVERSAL MATE-N-LOK 2
CONNECTOR INTERFACE
TE HOUSING P/N: 794192-1
TE CONTACT P/N: 1-794217-0 (30-26AWG)
OR 1-794219-0 (26-22AWG)

2400406-1
PART NO.

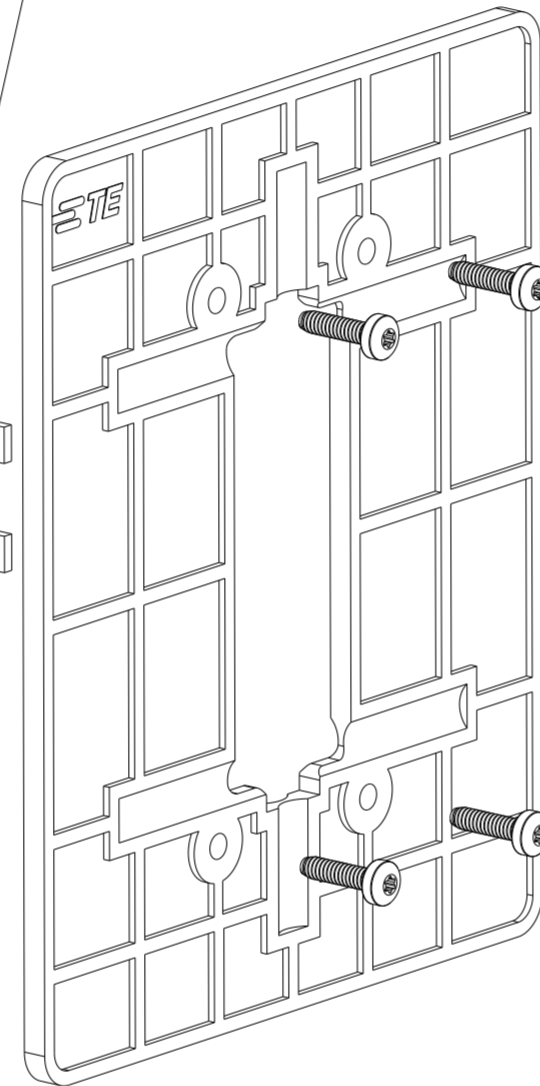
| | | | | |
|----------------------------------------|------------------------------------------------------------------------------------|--------------------------------|------------------------------------------------------------------|---------------|
| THIS DRAWING IS A CONTROLLED DOCUMENT. | | DWN C DAILY 15FEB2022 | STE TE Connectivity | |
| | | CHK C DAILY 15FEB2022 | | |
| DIMENSIONS: | TOLERANCES UNLESS OTHERWISE SPECIFIED: | APVD | NAME | |
| mm | 0 PLC ± 1 PLC ±0.2 2 PLC ±0.13 3 PLC ± 4 PLC ± ANGLES ±2° FINISH | - | KIT ASSEMBLY, PLUG DOCKING, CHARGER AMR CHARGING CONNECTOR | |
| MATERIAL | | PRODUCT SPEC 108-160493 | SIZE | RESTRICTED TO |
| | | APPLICATION SPEC 114-160271 | A2 | - |
| | | WEIGHT | CAGE CODE | DRAWING NO |
| | | - | 00779 | C-2400406 |
| | | CUSTOMER DRAWING | SCALE | SHEET |
| | | | 3:2 | 1 OF 2 |
| | | | | REV A |

| P | LTR | DESCRIPTION | DATE | DWN | APVD |
|---|-----|-------------|------|-----|------|
| - | - | SEE SHEET 1 | - | - | - |
| | | | | | |
| | | | | | |

PLUG SUB-ASSEMBLY WITH
SIGNAL POGO PINS AND SPRINGS
QTY: 1



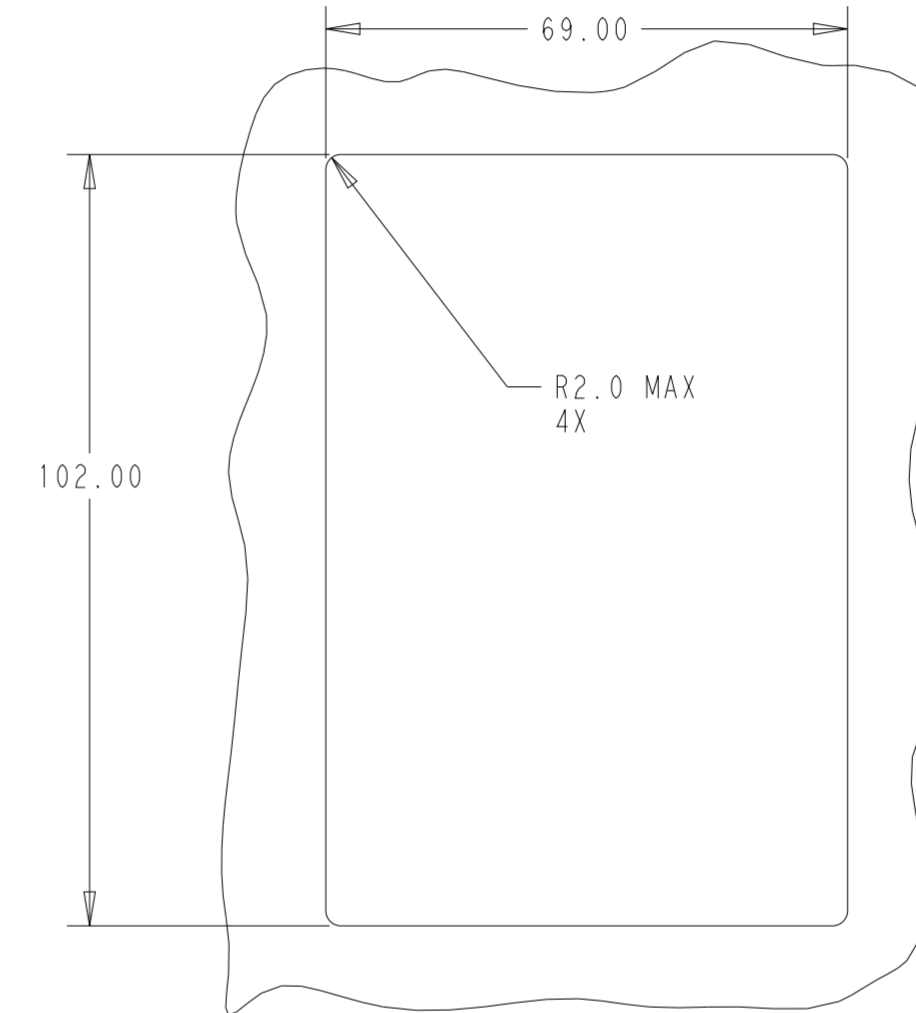
POWER CONTACT TPA
QTY: 1



RETAINIG PLATE
QTY: 1

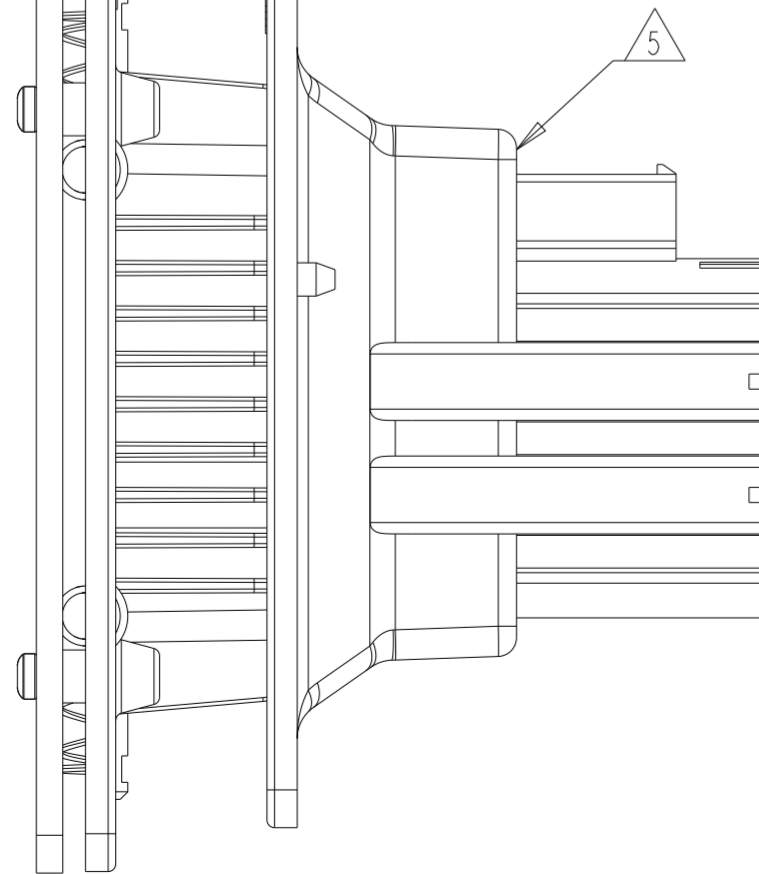
M3 X 12 TORX HEAD SCREWS
QTY: 4

1.50
PANEL THICKNESS



RECOMMENDED PANEL CUTOUT
SCALE 1:1

28.0
REF



MATED PAIR
SCALE 1:1

| | | | | |
|----------------------------------------|------------------------------------------------------------|-----------------------------|--------------------------------------------------------------------------|-------------------------|
| THIS DRAWING IS A CONTROLLED DOCUMENT. | | DWN C DAILY 15FEB2022 | STE TE Connectivity | |
| | | CHK C DAILY 15FEB2022 | | |
| DIMENSIONS: | TOLERANCES UNLESS OTHERWISE SPECIFIED: | APVD - | NAME KIT ASSEMBLY, PLUG DOCKING, CHARGER AMR CHARGING CONNECTOR | |
| mm | 0 PLC ± 1 PLC ±0.2 2 PLC ±0.13 3 PLC ± 4 PLC ± | PRODUCT SPEC - | SIZE A2 | |
| | ANGLES ±2° FINISH | APPLICATION SPEC - | CAGE CODE 00779 | DRAWING NO C-2400406 |
| MATERIAL | | WEIGHT - | RESTRICTED TO - | |
| | | CUSTOMER DRAWING | SCALE 1:1 | SHEET 2 OF 2 REV A |