

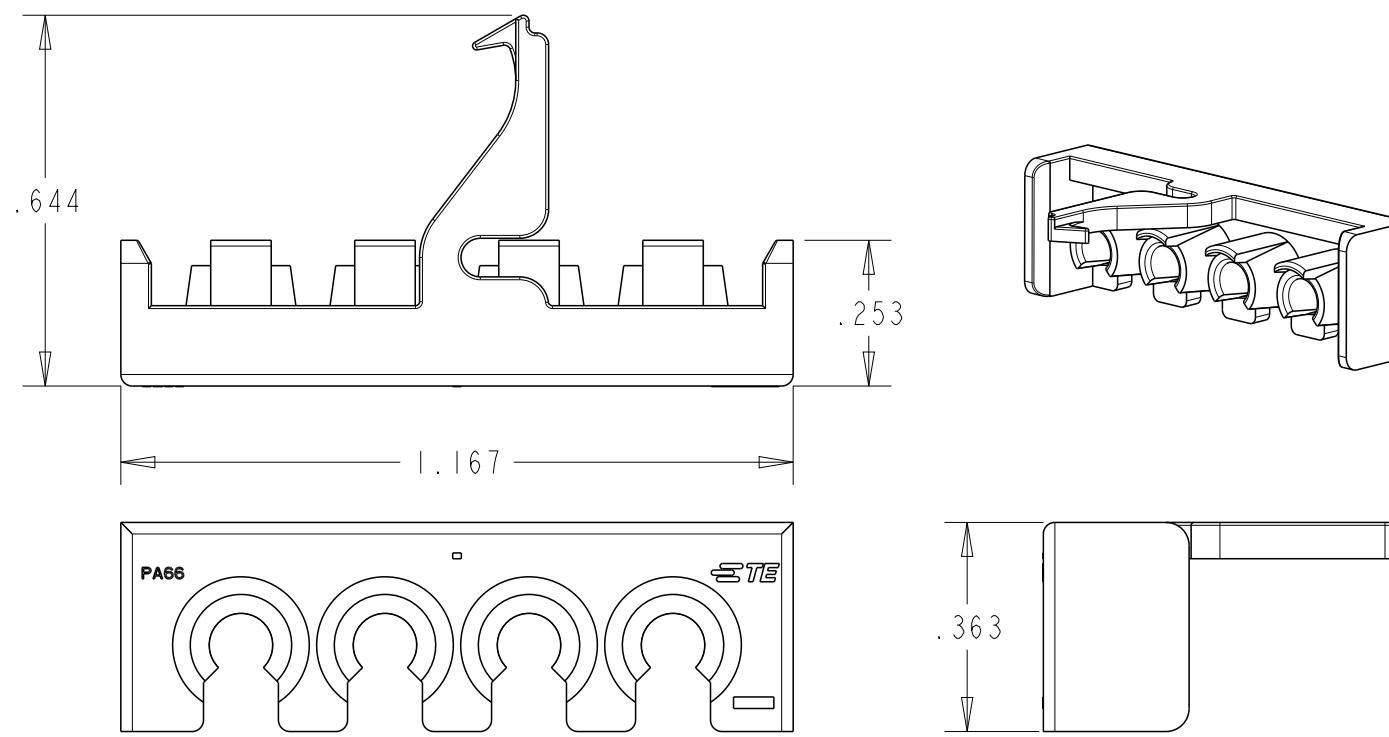
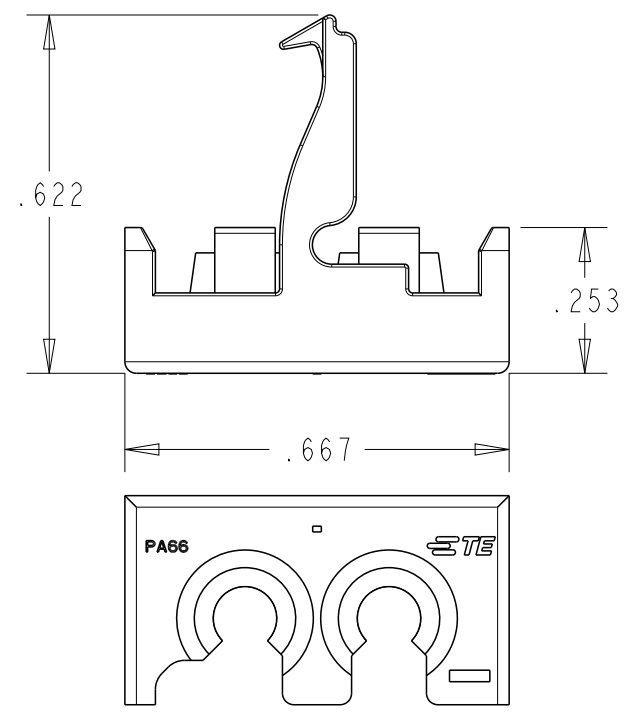
© 2021 TE Connectivity. All Rights Reserved.

1*2 POSITION

1*4 POSITION

REVISIONS

P	LTR	DESCRIPTION	DATE	DWN	APVD
4		MINOR UPDATES	20SEP2022	RS	BR
A		MINOR UPDATES	15NOV2022	RS	BR
A1		PRODUCTION RELEASE	17JAN2023	RS	BR
A2		MOISURE SPEC ADDITION	26SEP2023	RS	BR



1 MATERIAL: PA66/6, UL94-V0, COLOR BLACK

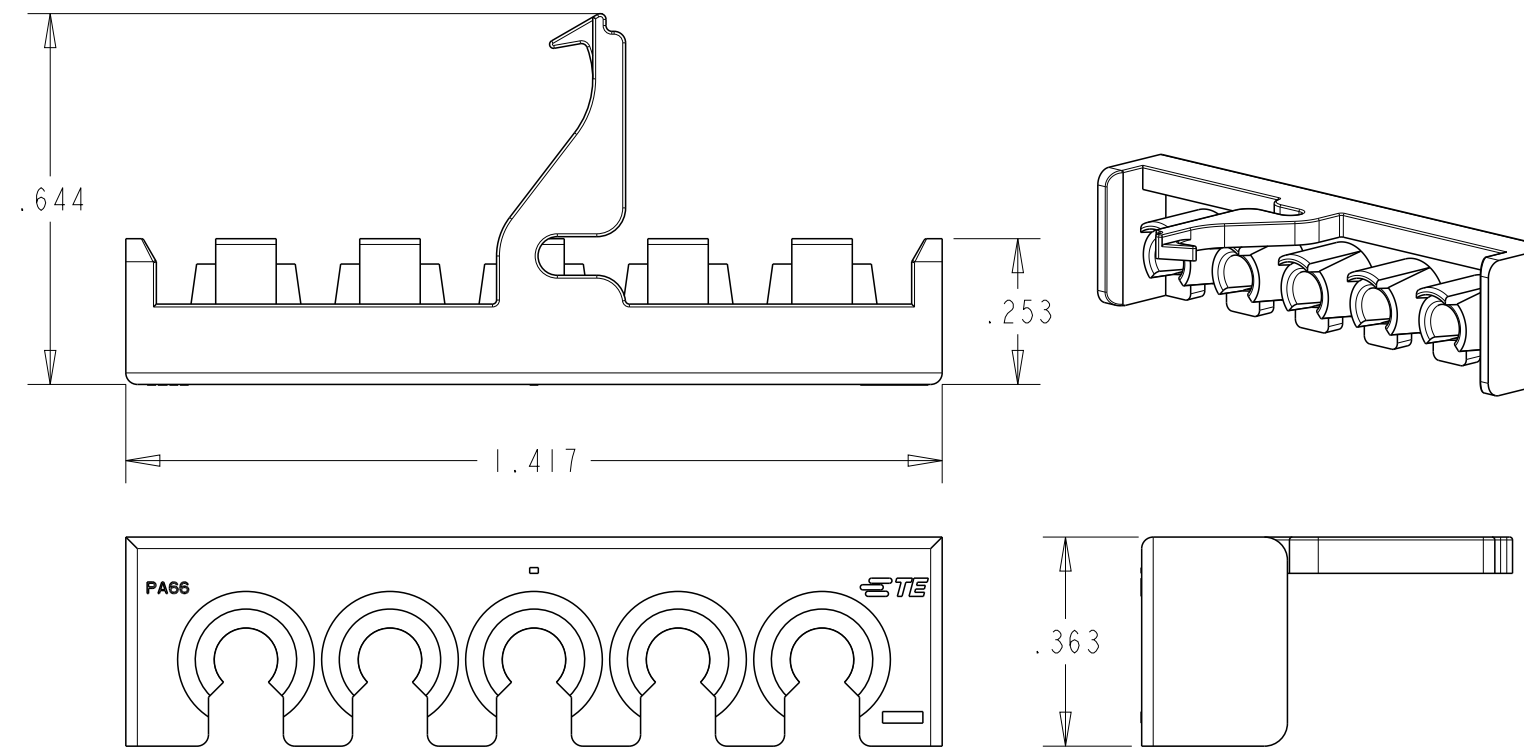
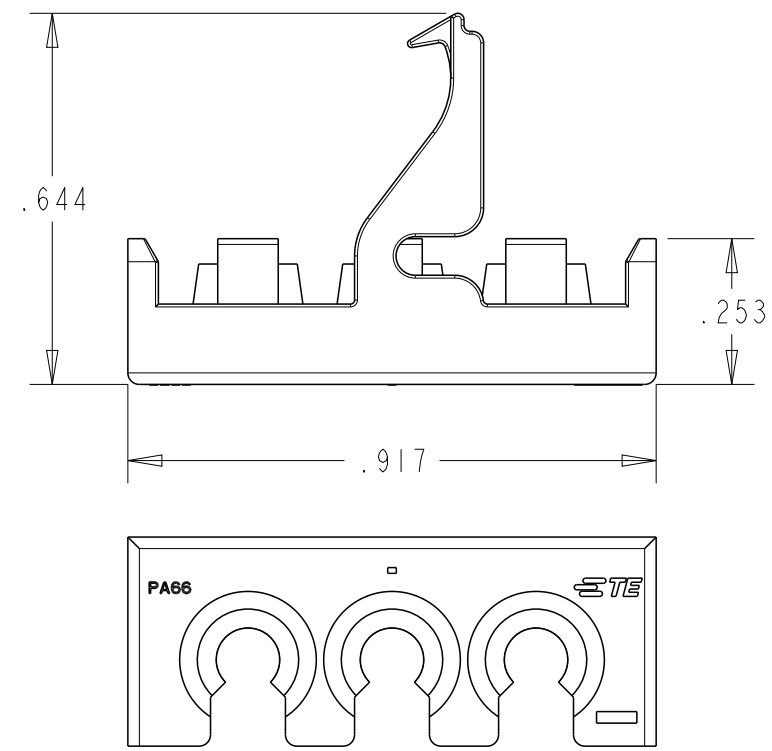
2 USE WITH TERMINALS:
350218-X, 350547-X, 350536-X, 350550-X,
350654-X, 350687-X, 350705-X.

3 WIRE INSULATION DIAMETER : .060" TO .130".

A2 4 RE-MOISTURIZATION SPEC: 408-143119

1*3 POSITION

1*5 POSITION



5	2-2400680-5
4	2-2400680-4
3	2-2400680-3
2	2-2400680-2
POSITIONS	PART NUMBER

THIS DRAWING IS A CONTROLLED DOCUMENT.

DWN	RAMESH.S	06OCT2021
CHK	WORKMANN.F	07OCT2021
APVD	S.FERNANDES	07OCT2021
PRODUCT SPEC	108-1031	
APPLICATION SPEC	114-1010	
WEIGHT	-	
CUSTOMER DRAWING	SCALE 3:1	SHEET 1 OF 1

STE TE Connectivity

NAME: CAP TPA, UNIVERSAL MATE-N-LOCK

SIZE: A2 CAGE CODE: 00779 DRAWING NO: C-2400680 RESTRICTED TO: -

REV: A2