

REVISIONS


P	LTR	DESCRIPTION	DATE	DWN	APVD
	A	INITIAL RELEASE	14SEP2021	GV	OA

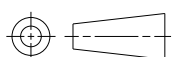
NOTES:

1. INTERPRET DRAWING IN ACCORDANCE WITH MIL-D-1000

SOURCE CONTROL DRAWING

© 2021 TE Connectivity. All Rights Reserved.

DIMENSIONS: in		DWN GREISY VALENZUELA 14SEP2021	MATERIAL	FINISH -			
TOLERANCES UNLESS OTHERWISE SPECIFIED: 0 PLC ±- 1 PLC ± 2 PLC ± 3 PLC ± 4 PLC ± ANGLES ±-		CHK OSCAR ALVARADO 14SEP2021					
		APVD OSCAR ALVARADO 14SEP2021					
		PRODUCT SPEC -	NAME ADAPTER, ELECTRICAL CONNECTOR SHRINK BOOT, STRAIGHT				
		APPLICATION SPEC -	SIZE A 4	CAGE CODE 53711	DRAWING NO C=2400690-1	RESTRICTED TO -	
		WEIGHT -	CUSTOMER DRAWING		SCALE DRAWING SCALE 1	SHEET OF 29	REV 1



REVISIONS					
P	LTR	DESCRIPTION	DATE	DWN	APVD
	-	SEE SHEET 1	-	-	-

1. SCOPE

THIS SPECIFICATION DEFINES THE REQUIREMENTS FOR A CONNECTOR ADAPTER WHICH TERMINATES TO THE REAR ACCESSORY THREADS OF A CIRCULAR ELECTRICAL CONNECTOR. THIS ADAPTER IS INTENDED FOR APPLICATIONS REQUIRING ENVIRONMENTAL RESISTANCE AND STRAIN RELIEF WHEN USED IN CONJUNCTION WITH AN APPROPRIATE SHRINK BOOT.

2. APPLICABLE DOCUMENT

THE FOLLOWING DOCUMENTS OF THE ISSUE IN EFFECT ON THE DATE OF INVITATION FOR BIDS ARE APPLICABLE TO THE EXTENT SPECIFIED HEREIN.

2.1 GOVERNMENT DOCUMENTS

SPECIFICATIONS AND STANDARDS

MIL-DTL-5002 SURFACE TREATMENTS AND INORGANIC COATINGS FOR METAL SURFACES OF WEAPONS SYSTEMS
 A-A-59588 RUBBER, SILICONE

NON-GOVERNMENT DOCUMENTS

AMERICAN SOCIETY FOR TESTING AND MATERIALS (ASTM)
 AGE CODE: 81346
 ASTM B221

STANDARD SPECIFICATION FOR ALUMINUM AND ALUMINUM ALLOY EXTRUDED BARS, RODS, WIRE, PROFILES AND TUBES

SOCIETY FOR AUTOMOTIVE ENGINEERS INC (SAE)

CAGE CODE: 81343
 SAE AMS-QQ-A-225 ALUMINUM AND ALUMINUM ALLOY BAR, ROD, WIRE OR SPECIAL SHAPES: ROLLED, DRAWN OR COLD FINISHED: GENERAL SPECIFICATION FOR

SAE AMS-QQ-A-591 ALUMINUM ALLOY DIE CASTINGS

SAE MAS-QQ-P-35 PASSIVATION TREATMENTS FOR CORROSION RESISTANT STEEL


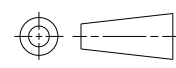
SAE MAS-QQ-P-416 PLATING CADMIUM (ELECTRODEPOSITED)

SAE MAS-QQ-S-763 STEEL, CORROSION RESISTANT, BARS, WIRE, SHAPES, AND FORGINGS

SAE AMS2700 PASSIVATION OF CORROSION RESISTANT STEELS

SAE AS85049 CONNECTOR ACCESSORIES, ELECTRICAL, GENERAL SPECIFICATION FOR

© 2021 TE Connectivity. All Rights Reserved.

DIMENSIONS: in	DWN GREISY VALENZUELA	14SEP2021	MATERIAL	FINISH	-	
	CHK OSCAR ALVARADO	14SEP2021				
TOLERANCES UNLESS OTHERWISE SPECIFIED:	APVD OSCAR ALVARADO	14SEP2021				
0 PLC ±-	PRODUCT SPEC	-	NAME ADAPTER, ELECTRICAL CONNECTOR SHRINK BOOT, STRAIGHT			
1 PLC ±	APPLICATION SPEC	-				
2 PLC ±	WEIGHT	-	SIZE	CAGE CODE	DRAWING NO	RESTRICTED TO
3 PLC ±			A 4	53711	©=2400690-1	-
4 PLC ±			CUSTOMER DRAWING			SCALE
ANGLES ±-			DRAWING			SHEET 2 OF 29
						REV 1

REVISIONS					
P	LTR	DESCRIPTION	DATE	DWN	APVD
	-	SEE SHEET 1	-	-	-

3. REQUIREMENTS

PARTS SUPPLIED TO THIS DRAWING SHALL BE IN ACCORDANCE WITH THE REQUIREMENTS OF SAE AS85049, CATEGORY 5, WITH THE FOLLOWING ADDITIONS AND EXCEPTIONS.

3.1 MATERIALS

- 3.1.1 COUPLING NUT AND BODY SHALL BE ALUMINUM ALLOY PER SAE AMS-QQ-A-591, SAE AMS-QQ-A-225 OR ASTM B221.
- 3.1.2 SEALS SHALL BE SILICONE PER A-A-59588.
- 3.1.3 RETAINING RINGS, CHAIN ATTACHMENT BANDS AND ASSOCIATED HARDWARE SHALL BE CORROSION RESISTING STEEL PER SAE AMS-QQ-S-763.

3.2 FINISHES

- 3.2.1 ALUMINUM-CADMIUM PLATE PER SAE AMS-QQ-P-416, TYPE II, CLASS 3 OVER A SUITABLE UNDERPLATE(500 HOUR SALT SPRAY CORROSION RESISTANT FINISH).
- 3.2.2 STAINLESS STEEL-PASSIVATE PER SAE AMS-QQ-P-35, SAE AMS2700 OR MIL-DTL-5002.

3.3 CONFIGURATION AND DIMENSIONS

CONFIGURARION AND DIMENSIONS SHALL CONFORM TO THE APPPROPIATE FIGURE AND TABLE.


3.4 MARKING

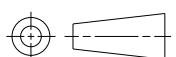
PARTS SHALL BE PERMANENTLY AND LEGIBLY MARKED WITH THIS DRAWING NUMBER PREFIXED WITH "53711" "SOCN". VENDORS'S IDENTIFICATION AND PART NUMBER NEED NOT BE REMOVED.

4. QUALITY ASSURANCE PROVISIONS

QUALITY ASSURANCE PROVISIONS SHALL BE IN ACCORDANCE WITH SAE AS85049, CATEGORY 5 (AS APPLICABLE).

© 2021 TE Connectivity. All Rights Reserved.

DIMENSIONS: in	DWN GREISY VALENZUELA	14SEP2021	MATERIAL	FINISH	-			
	CHK OSCAR ALVARADO	14SEP2021						
TOLERANCES UNLESS OTHERWISE SPECIFIED:	APVD OSCAR ALVARADO	14SEP2021				NAME	ADAPTER, ELECTRICAL CONNECTOR SHRINK BOOT, STRAIGHT	
	0 PLC ±-	PRODUCT SPEC		SIZE	CAGE CODE	DRAWING NO	RESTRICTED TO	
1 PLC ±	APPLICATION SPEC		A 4	53711	©=2400690-1			
2 PLC ±	WEIGHT	-	CUSTOMER DRAWING				SCALE	DRAWING
3 PLC ±							SHEET	3 OF 29
4 PLC ±							REV	1
ANGLES ±-								



REVISIONS					
P	LTR	DESCRIPTION	DATE	DWN	APVD
	-	SEE SHEET 1	-	-	-

5. PREPARATION FOR DELIVERY

THE MANUFACTURER IS RESPONSIBLE FOR PACKAGING AND PACKING TO ASSURE THAT WHEN SHIPPED BY DOMESTIC COMMON CARRIER THE PARTS ARE RECEIVED IN UNDAMAGED CONDITION.

6. NOTES

6.1 APPROVED SOURCE(S) OF SUPPLY

TYCO ELECTRONICS CORPORATION CAGE CODE: 06090
 MENLO PARK, CA 94025

APPROVED MANUFACTURING SITES FOR ALL DASH NUMBERS:
 1. SAME ADDRESS CAGE CODE: 06090

ADDITIONAL APPROVED SITE FOR 5617636-16:
 2. TE CONNECTIVITY LIMITED CAGE CODE: K1010
 SWINDON, WILTSHIRE, SN3 5HH, UK

PART NUMBERS PER TABLE II

GLENAIR INC. CAGE CODE: 06324
 GLENDALE, CA 91201


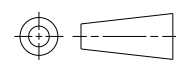
PAR NUMBERS PER TABLE II

JOSLYN SUNBANK COMPANY, LLC CAGE CODE: 07418
 PASO ROBLES, CA 93446
 PART NUMBERS PER TABLE II

© 2021 TE Connectivity. All Rights Reserved.

IDENTIFICATION OF THE APPROVED SOURCE(S) OF SUPPLY HEREON IS NOT TO BE CONSTRUED AS A GUARANTEE OF PRESENT OR CONTINUED AVAILABILITY AS A SOURCE OF SUPPLY FOR THE ITEM(S).

ONLY THE ITEMS DESCRIBED ON THIS DRAWING WHEN PROCURED FROM THE VENDORS(S) LISTED HEREON ARE APPROVED BY THE DEPARTMENT OF THE NAVY, NAVSEA, WASHINGTON, DC FOR USE IN THE APPLICATION(S) SPECIFIED. SUBSTITUTE ITEMS SHALL NOT BE USED WITHOUT PRIOR APPROVAL BY NAVSEA, WASHINGTON, DC.

DIMENSIONS: in	DWN 14SEP2021 GREISY VALENZUELA	MATERIAL	FINISH	-
	CHK 14SEP2021 OSCAR ALVARADO			
TOLERANCES UNLESS OTHERWISE SPECIFIED:	APVD 14SEP2021 OSCAR ALVARADO			
0 PLC ±-	PRODUCT SPEC	NAME ADAPTER, ELECTRICAL CONNECTOR		
1 PLC ±	-	SHRINK BOOT, STRAIGHT		
2 PLC ±	APPLICATION SPEC	SIZE	CAGE CODE	DRAWING NO
3 PLC ±	-	A 4	53711	C=2400690-1
4 PLC ±	WEIGHT	RESTRICTED TO		
ANGLES ±-	-	-		
	CUSTOMER DRAWING	SCALE	SHEET	REV
		DRAWING	SCALE 4 OF 29	1


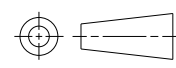
REVISIONS					
P	LTR	DESCRIPTION	DATE	DWN	APVD
	-	SEE SHEET 1	-	-	-

TABLE I

NAVSEA PART NUMBER	SHELL SIZE	FIGURE	A R H THREAD CLASS 2B	B MAX O D	Z ±.020 DIA	ENTRY SIZE	D MIN DIA
5617636-	8,8S	1	.500-20UNF	.66	.250	04	.456
5617636-1	8,8S	1(T2)	.500-20UNF	.66	.375	06	.581
5617636-5	10, 10S, 10SL	1	.625-24UNEF	.79	.375	06	.581
5617636-6	10, 10S, 10SL	1 (T2)	.625-24UNEF	.79	.50	08	.705
5617636-8	10, 10S, 10SL	1(T2)	.625-24UNEF	1.18	.625	10	.831
5617636-10	12,12S	1	.750-20UNEF	.91	.375	06	.581
5617636-11	12	1 (T2)	.750-20UNEF	1.18	.625	10	.831
5617636-12	12, 12S	1(T2)	.750-20UNEF	1.35	.750	12	.953
5617636-15	14,14S	1	.875-20UNEF	1.04	.375	06	.581
5617636-16	14,14S	1	.875-20UNEF	1.04	.500	08	.705
5617636-17	14,14S	1 (T2)	.875-20UNEF	1.04	.625	10	.831
5617636-18	14	1 (T2)	.875-20UNEF	1.04	.750	12	.953
5617636-19	14,14S	1 (T2)	.875-20UNEF	1.04	1.375	22	1.631
5617636-20	16,16S	1	1.000-20UNEF	1.16	.375	06	.581
5617636-21	16,16S	1	1.000-20UNEF	1.16	.625	10	.831
5617636-22	16,16S	1 (T2)	1.000-20UNEF	1.16	.750	12	.953
5617636-23	16	1 (T2)	1.000-20UNEF	2.23	1.375	22	1.631
5617636-24	16,16S	1 (T2)	1.000-20UNEF	1.16	1.000	16	1.205
5617636-25	18	1	1.062-18UNEF	1.22	.375	06	.581
5617636-26	18	1	1.062-18UNEF	1.22	.625	10	.831
5617636-27	18	1	1.062-18UNEF	1.22	.500	08	.705
5617636-28	18	1	1.062-18UNEF	1.22	.750	12	.953
5617636-29	18	1 (T2)	1.062-18UNEF	1.60	1.000	16	1.205
5617636-30	20	1	1.188-18UNEF	1.35	.375	06	.581
5617636-31	20	1	1.188-18UNEF	1.35	.500	08	.705
5617636-32	20	1	1.188-18UNEF	1.35	.625	10	.831

T2-TYPE 2 OPTION - REFER TO APPLICABLE FIGURE.

© 2021 TE Connectivity. All Rights Reserved.


DIMENSIONS: in		DWN 14SEP2021 GREISY VALENZUELA	MATERIAL	FINISH -
TOLERANCES UNLESS OTHERWISE SPECIFIED:		CHK 14SEP2021 OSCAR ALVARADO	 TE Connectivity	
0 PLC ±- 1 PLC ± 2 PLC ± 3 PLC ± 4 PLC ± ANGLES ±-		APVD 14SEP2021 OSCAR ALVARADO		
		PRODUCT SPEC -	NAME ADAPTER, ELECTRICAL CONNECTOR SHRINK BOOT, STRAIGHT	
WEIGHT -		APPLICATION SPEC -	SIZE A 4	CAGE CODE 53711
CUSTOMER DRAWING		DRAWING NO C=2400690-1	RESTRICTED TO -	
		SCALE DRAWING	SHEET 5 OF 29 REV 1	

REVISIONS					
P	LTR	DESCRIPTION	DATE	DWN	APVD
	-	SEE SHEET 1	-	-	-

TABLE I (CONTINUED)

NAVSEA PART NUMBER	SHELL SIZE	FIGURE	A R H THREAD CLASS 2B	B MAX O D	Z ±.020 DIA	ENTRY SIZE	D MIN DIA
5617636-33	20	1	1.188-18UNEF	1.35	.750	12	.953
5617636-34	20	1 (T2)	1.188-18UNEF	1.35	1.375	22	1.631
5617636-35	22	1	1.312-18UNEF	1.47	.375	06	.581
5617636-36	22	1	1.312-18UNEF	1.47	.625	10	.831
5617636-37	22	1	1.312-18UNEF	1.47	.750	12	.953
5617636-38	22	1	1.312-18UNEF	1.47	.875	14	1.081
5617636-39	22	1	1.312-18UNEF	1.47	1.000	16	1.205
5617636-40	24	1	1.438-18UNEF	1.60	.375	06	.581
5617636-41	24	1	1.438-18UNEF	1.60	.625	10	.831
5617636-42	24	1	1.438-18UNEF	1.60	.750	12	.953
5617636-43	24	1	1.438-18UNEF	1.60	.875	14	1.081
5617636-44	24	1 (T2)	1.438-18UNEF	1.60	1.375	22	1.631
5617636-45	28	1	1.750-18UNS	1.97	.625	10	.831
5617636-46	28	1	1.750-18UNS	1.97	.875	14	1.081
5617636-47	28	1	1.750-18UNS	1.97	.375	06	.581
5617636-48	28	1	1.750-18UNS	1.97	1.375	22	1.631
5617636-49	28	1	1.750-18UNS	1.97	.750	12	.953
5617636-50	32	1	2.000-18UNS	2.22	1.000	16	1.205
5617636-51	32	1	2.000-18UNS	2.22	.750	12	.953
5617636-52	32	1	2.000-18UNS	2.22	1.250	20	1.506
5617636-53	32	1 (T2)	2.000-18UNS	2.22	1.75	28	2.004
5617636-54	36	1	2.250-16UN	2.47	.750	12	.953
5617636-55	36	1	2.250-16UN	2.47	.875	14	1.081
5617636-56	36	1	2.250-16UN	2.47	1.250	20	1.506
5617636-57	36	1	2.250-16UN	2.47	1.000	16	1.205
5617636-59	36	1	2.250-16UN	2.47	1.75	28	2.004
5617636-60	40	1	2.500-16UN	2.72	1.000	16	1.205
5617636-61	28	1	1.750-18UNS	1.97	1.000	16	1.205
5617636-67	22	1 (T2)	1.312-18UNEF	1.47	1.375	22	1.631
5617636-68	32	1	2.000-18UNS	2.22	1.375	22	1.631
5617636-69	24	1	1.438-18UNEF	1.60	1.000	16	1.205
5617636-70	20	1(T2)	1.188-18UNEF	1.35	1.000	16	1.205
5617636-71	22	1	1.312-18UNEF	1.47	.500	08	.705

© 2021 TE Connectivity. All Rights Reserved.

DIMENSIONS: in		DWN GREISY VALENZUELA 14SEP2021	MATERIAL		FINISH -	
TOLERANCES UNLESS OTHERWISE SPECIFIED:		CHK OSCAR ALVARADO 14SEP2021	 TE Connectivity			
0 PLC ±- 1 PLC ± 2 PLC ± 3 PLC ± 4 PLC ± ANGLES ±-		APVD OSCAR ALVARADO 14SEP2021				
PRODUCT SPEC		NAME ADAPTER, ELECTRICAL CONNECTOR SHRINK BOOT, STRAIGHT				
APPLICATION SPEC		SIZE A 4		CAGE CODE 53711	DRAWING NO C=2400690-1	
WEIGHT		RESTRICTED TO -				
CUSTOMER DRAWING			SCALE DRAWING		SHEET 6 OF 29 REV 1	


REVISIONS					
P	LTR	DESCRIPTION	DATE	DWN	APVD
	-	SEE SHEET 1	-	-	-

TABLE I (CONTINUED)

NAVSEA PART NUMBER	SHELL SIZE	FIGURE	A R H THREAD CLASS 2B	B MAX O D	Z ±.020 DIA	ENTRY SIZE	D MIN DIA
5617636-100	8S	2 (1)	.375-32UNEF	.73	.250	04	.456
5617636-105	10S	2 (1)	.500-28UNEF	.79	.375	06	.581
5617636-110	12, 12S	2 (1)	.625-24UNEF	.92	.375	06	.581
5617636-115	14, 14S	2 (1)	.750-20UNEF	1.04	.438	07	.643
5617636-120	16, 16S	2 (1)	.875-20UNEF	1.23	.625	10	.831
5617636-125	18	2 (1)	1.000-20UNEF	1.35	.375	06	.581
5617636-130	20	2 (1)	1.125-18UNEF	1.48	.375	06	.581
5617636-132	20	2 (1)	1.125-18UNEF	1.48	.625	10	.831
5617636-135	22	2 (1)	1.250-18UNEF	1.60	.938	15	1.143
5617636-140	24	2 (1)	1.375-18UNEF	1.73	1.000	16	1.205
5617636-145	28	2 (1)	1.625-18UNEF	2.10	1.000	16	1.205
5617636-150	32	2 (1)	1.875-16UN	2.23	.625	10	.831
5617636-155	36	2 (1)	2.062-16UNS	2.48	1.000	16	1.205
5617636-160	40	2 (1)	2.312-16UNS	2.73	1.000	16	1.205
5617636-200	8S	2 (2)	.438-28UNEF	.73	.187	03	.343
5617636-210	12, 12S	2(2)	.625-24UNEF	.92	.375	06	.581
5617636-215	14, 14S	2 (2)	.750-20UNEF	1.04	.375	06	.581
5617636-230	20	2 (2)	1.125-18UNEF	1.48	.375	06	.581
5617636-235	22	2 (2)	1.250-18UNEF	1.60	.875	14	1.081
5617636-250	32	2 (2)	1.875-16UN	2.23	.625	10	.831
5617636-255	36	2 (2)	2.125-16UN	2.48	1.000	16	1.205
5617636-260	40	2 (2)	2.375-16UN	2.73	1.000	16	1.205
5617636-263	B(13)	8(T2)	.875-20UNEF	1.15	.625	10	.832
5617636-265	B(13)	8(T2)	.875-20UNEF	1.15	.750	12	.957
5617636-268	A(11)	8(T2)	.750-20UNEF	1.18	.625	10	.832
5617636-270	C (15)	8 (T2)	1.000-20UNEF	1.27	.750	12	.953
5617636-272	D (17)	8 (T2)	1.125-18UNEF	1.39	1.000	16	1.20
5617636-273	D (17)	8 (T2)	1.125-18UNEF	1.39	1.375	22	1.631
5617636-274	D(17)	8	1.125-18UNEF	1.39	.750	12	.957
5617636-275	E (19)	8 (T2)	1.250-18UNEF	1.52	1.375	22	1.631
5617636-279	F (23)	8	1.438-18UNEF	1.71	1.00	16	1.207
5617636-280	F (23)	8 (T2)	1.438-18UNEF	1.71	1.375	22	1.631
5617636-290	G (25)	8 (T2)	1.562-18UNEF	1.83	1.750	28	2.004

1. FOR USE WITH BENDIX MIL-C-5015, CLASS A, E AND R, MS3106, SOLDER CONTACT CONNECTORS LESS ENDBELL.
 2. FOR USE WITH CANNON MIL-C-5015, CLASS A, MS3100, MS3101, MS3106, AND MS3107 SOLDER CONTACT CONNECTORS, LESS ENDBELL.

© 2021 TE Connectivity. All Rights Reserved.

DIMENSIONS: in		DWN GREISY VALENZUELA 14SEP2021	MATERIAL	FINISH -
TOLERANCES UNLESS OTHERWISE SPECIFIED:		CHK OSCAR ALVARADO 14SEP2021	 TE Connectivity	
0 PLC ±- 1 PLC ± 2 PLC ± 3 PLC ± 4 PLC ± ANGLES ±-		APVD OSCAR ALVARADO 14SEP2021		
PRODUCT SPEC		NAME ADAPTER, ELECTRICAL CONNECTOR SHRINK BOOT, STRAIGHT		
APPLICATION SPEC		SIZE CAGE CODE DRAWING NO RESTRICTED TO		
WEIGHT		A 4 53711 C=2400690-1 -		
CUSTOMER DRAWING		SCALE SHEET 7 OF 29 REV 1		


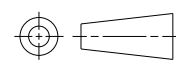
REVISIONS					
P	LTR	DESCRIPTION	DATE	DWN	APVD
	-	SEE SHEET 1	-	-	-

TABLE I (CONTINUED)

NAVSEA PART NUMBER	SHELL SIZE	FIGURE	A R H THREAD CLASS 2B	B MAX O D	Z ±.020 DIA	ENTRY SIZE	D MIN DIA
5617636-291	G (25)	8	1.562-18UNEF	1.83	.625	10	.832
5617636-292	G (25)	8	1.562-18UNEF	1.83	1.000	16	1.207
5617636-300	8S	2 ((3)	.438-28UNEF	.73	.250	04	.456
5617636-310	10SL	2 (3)	.562-24UNEF	.85	.375	06	.581
5617636-315	12,12S	2 (3)	.625-24UNEF	.92	.312	05	.515
5617636-400	8S	2 (4)	.438-27UNS	.73	.250	04	.456
5617636-410	10SL, 12, 12S	2 (4)	.688-24UNEF	.98	.312	05	.515
5617636-430	20	2 (4)	1.125-18UNEF	1.48	.375	06	.581
5617636-431	20	2 (4)	1.125-18UNEF	1.48	.750	12	.953
5617636-450	32	2 (4)	1.906-18UN	2.23	.625	10	.831
5617636-455	36	2 (4)	2.125-18UNS	2.48	1.000	16	1.205
5617636-460	40	2 (4)	2.375-16UN	2.73	1.000	16	1.205
5617636-500	8S, 10S	2 (5)	.500-28UNEF	.79	.250	04	.456
5617636-505	10SL, 12, 12S	2 (5)	.625-24UNEF	.91	.312	05	.515
5617636-510	14,14S	2 (5)	.750-20UNEF	1.04	.438	07	.643
5617636-515	16, 16S	2 (5)	.875-20UNEF	1.16	.625	10	.831
5617636-520	18	2 (5)	1.000-20UNEF	1.34	.375	06	.581
5617636-525	20,22	2 (5)	1.188-18UNEF	1.47	.375	06	.581
5617636-526	20,22	2 (5)	1.188-18UNEF	1.47	.875	14	1.081
5617636-530	24,28	2 (5)	1.438-18UNEF	1.82	1.000	16	1.205
5617636-535	32	2 (5)	1.750-18UNS	2.16	.375	06	.581
5617636-536	32	2 (5)	1.750-18UNS	2.16	.625	10	.831
5617636-540	36	2 (5)	2.000-18UNS	2.44	1.000	16	1.205
5617636-575	22	3 (5)	1.250-18UNEF	1.60	1.000	16	1.205
5617636-600	10SL	3	.625-24UNEF	.92	.375	06	.581
5617636-605	12,12S	3	.688-24UNEF	.98	.375	06	.581
5617636-625	20	3	1.125-24UNS	1.48	.375	06	.581
5617636-626	20	3	1.125-24UNS	1.48	.750	12	.953
5617636-645	32	3	1.906-18UN	2.23	.625	10	.831
5617636-650	36	3	2.062-20UNS	2.48	1.000	16	1.205

3. FOR USE WITH MIL-C-5015, CLASS E, F AND R, MS3100, MS3101, MS3106, AND MS3107 SOLDER CONTACT CONNECTORS, LESS ENDBELL.
 4. USE WITH AMPHENOL MIL-C-5015, CLASS A, MS3106, SOLDER CONTACT CONNECTORS, LESS ENDBELL.
 5. FOR USE WITH MIL-C-5015, SOLDER CONTACT, MS "V" THREAD, GENERAL DUTY ENDBELLS.

© 2021 TE Connectivity. All Rights Reserved.

DIMENSIONS: in	DWN GREISY VALENZUELA 14SEP2021	MATERIAL	FINISH	 TE Connectivity	
	CHK OSCAR ALVARADO 14SEP2021				
TOLERANCES UNLESS OTHERWISE SPECIFIED:	APVD OSCAR ALVARADO 14SEP2021	NAME ADAPTER, ELECTRICAL CONNECTOR SHRINK BOOT, STRAIGHT			
	PRODUCT SPEC				
0 PLC ±-		SIZE	CAGE CODE	DRAWING NO	RESTRICTED TO
1 PLC ±		A 4	53711	©=2400690-1	-
2 PLC ±					
3 PLC ±					
4 PLC ±					
ANGLES ±-					
	WEIGHT				
CUSTOMER DRAWING			SCALE	SHEET	REV
			DRAWING	SCALE 8 OF 29	1


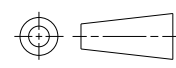
REVISIONS				
P	LTR	DESCRIPTION	DATE	APVD
	-	SEE SHEET 1	-	-

TABLE 1 (CONTINUED)

NAVSEA PART NUMBER	SHELL SIZE		FIGURE	A L H THREAD CLASS 2B	B MAX O D	Z ±.020 DIA	ENTRY SIZE	D MIN DIA
5617636-700	12	10*	4	.750-20UNEF	1.07	.438	07	.643
5617636-705	14	12*	4	.875-20UNEF	1.19	.562	09	.705
5617636-710	16	14*	4	1.000-20UNEF	1.32	.375	06	.581
5617636-711	16	14*	4	1.000-20UNEF	1.32	.688	11	.893
5617636-712	16	14*	4	1.000-20UNEF	1.32	.625	10	.831
5617636-713	16	14*	4	1.000-20UNEF	1.32	.750	12	.953
5617636-715	18	16*	4	1.125-18UNEF	1.44	.375	06	.581
5617636-716	18	16*	4	1.125-18UNEF	1.44	.750	12	.953
5617636-717	18	16*	4	1.125-18UNEF	1.44	.625	10	.831
5617636-719	18	16*	4 (T2)	1.125-18UNEF	1.44	1.000	16	1.205
5617636-720	20	18*	4	1.250-18UNEF	1.57	.375	06	.581
5617636-721	20	18*	4	1.250-18UNEF	1.57	.875	14	1.081
5617636-722	20	18*	4	1.250-18UNEF	1.57	.625	10	.831
5617636-723	20	18*	4	1.250-18UNEF	1.57	.75	12	.953
5617636-725	22	20*	4	1.375-18UNEF	1.69	.375	06	.581
5617636-726	22	20*	4	1.375-18UNEF	1.69	1.000	16	1.205
5617636-727	22	20*	4	1.375-18UNEF	1.69	.625	10	.831
5617636-728	22	20*	4	1.375-18UNEF	1.69	.750	12	.953
5617636-729	22	20*	4	1.375-18UNEF	1.69	.875	14	1.081
5617636-730	24	22*	4	1.625-18UNEF	2.07	.625	10	.831
5617636-731	24	22*	4	1.625-18UNEF	2.07	1.000	16	1.205
5617636-732	24	22*	4	1.625-18UNEF	2.07	.500	08	.707
5617636-735	28	24*	4	1.875-16UN	2.32	1.000	16	1.205
5617636-740	32	-*	4	2.062-16UNS	2.57	.875	14	1.081
5617636-741	32	-*	4	2.062-16UNS	2.57	1.000	16	1.205
5617636-745	36	-*	4	2.312-16UNS	2.82	1.000	16	1.205
5617636-746	36	-*	4	2.312-16UNS	2.82	1.375	22	1.631
5617636-750	40	-*	4	2.625-16UN	3.07	1.000	16	1.205
5617636-755	22	20*	4(T2)	1.375-18UNEF	1.69	1.375	22	1.631

*SHELL SIZE FOR BENDIX QDP CONNECTORS. T2 - TYPE 2 OPTION - REFER TO APPLICABLE FIGURE.

© 2021 TE Connectivity. All Rights Reserved.

DIMENSIONS: in	DWN GREISY VALENZUELA 14SEP2021	MATERIAL	FINISH
	CHK OSCAR ALVARADO 14SEP2021	 TE Connectivity	
TOLERANCES UNLESS OTHERWISE SPECIFIED:	APVD OSCAR ALVARADO 14SEP2021		
0 PLC ±-	PRODUCT SPEC	SIZE	CAGE CODE
1 PLC ±	-	A 4	53711
2 PLC ±	APPLICATION SPEC	DRAWING NO	RESTRICTED TO
3 PLC ±	-	©=2400690-1	-
4 PLC ±	WEIGHT	CUSTOMER DRAWING	
ANGLES ±-	-	SCALE	DRAWING \$
		SHEET	9 OF 29
		REV	1

REVISIONS					
P	LTR	DESCRIPTION	DATE	DWN	APVD
	-	SEE SHEET 1			


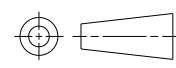
TABLE I (CONTINUED)

NAVSEA PART NUMBER	SHELL SIZE	FIGURE	A R H THREAD CLASS 2B	B MAX O D	Z ±.020 DIA	ENTRY SIZE	D MIN DIA
5617636-800	A (8)	5	.500-28UNEF	.86	.250	04	.456
5617636-805	B (10)	5	.625-28UN	.98	.500	08	.705
5617636-810	D (14)	5	.875-28UN	1.23	.500	08	.705
5617636-815	E (16)	5	1.000-28UN	1.36	.625	10	.831
5617636-820	F (18)	5	1.125-28UN	1.48	.750	12	.953
5617636-821	F (18)	5	1.125-28UN	1.48	.875	14	1.081
5617636-822	F(18)	5	1.125-28UN	1.48	.625	10	.831
5617636-825	G (20)	5	1.250-28UN	1.63	.875	14	1.081
5617636-830	H (22)	5	1.375-28UN	1.73	1.000	16	1.205
5617636-831	H (22)	5	1.375-28UN	1.73	.375	06	.581
5617636-835	J (24)	5	1.500-28UN	1.86	1.000	16	1.205

TABLE I (CONTINUED)

NAVSEA PART NUMBER	SHELL SIZE SERIES		FIGURE	A R H THREAD CLASS 2B	B MAX O D	Z ±.020 DIA	ENTRY SIZE	D MIN DIA
	II	I						
5617636-900	8	9	6	.438-28UNEF	.72	.250	04	.456
5617636-905	10	11	6	.562-24UNEF	.85	.312	05	.515
5617636-906	10	11	6 (T2)	.562-24UNEF	.85	.500	08	.705
5617636-910	12	13	6	.688-24UNEF	.97	.375	06	.581
5617636-911	12	13	6	.688-24UNEF	.97	.500	08	.705
5617636-912	12	13	6(T2)	.688-24UNEF	1.60	1.000	16	1.205
5617636-913	12	13	6(T2)	.688-24UNEF	1.35	.750	12	.953
5617636-914	12	13	6(T2)	.688-24UNEF	1.18	.625	10	.831
5617636-915	14	15	6	.812-20UNEF	1.10	.500	08	.705
5617636-920	16	17	6	.938-20UNEF	1.22	.375	06	.581
5617636-921	16	17	6	.938-20UNEF	1.22	.625	10	.831
5617636-925	18	19	6	1.062-18UNEF	1.35	.750	12	.953
5617636-930	20	21	6	1.188-18UNEF	1.47	.875	14	1.08
5617636-931	20	21	6(T2)	1.188-18UNEF	2.23	1.375	22	1.631
5617636-935	22	23	6	1.312-18UNEF	1.60	1.000	16	1.20
5617636-940	24	25	6	1.438-18UNEF	1.72	1.000	16	1.20
5617636-950	24	25	6(T2)	1.438-18UNEF	2.23	1.375	22	1.631

© 2021 TE Connectivity. All Rights Reserved.

DIMENSIONS: in	DWN GREISY VALENZUELA 14SEP2021	MATERIAL	FINISH
	CHK OSCAR ALVARADO 14SEP2021	 TE Connectivity	
TOLERANCES UNLESS OTHERWISE SPECIFIED:	APVD OSCAR ALVARADO 14SEP2021		
0 PLC ±-	PRODUCT SPEC	SIZE	CAGE CODE
1 PLC ±	-	A 4	53711
2 PLC ±	APPLICATION SPEC	DRAWING NO	RESTRICTED TO
3 PLC ±	-	©=2400690-1	-
4 PLC ±	WEIGHT	CUSTOMER DRAWING	
ANGLES ±-	-	SCALE	DRAWING SCALE 10 ^{OF} 29
			REV 1

REVISIONS					
P	LTR	DESCRIPTION	DATE	DWN	APVD
	-	SEE SHEET 1	-	-	-


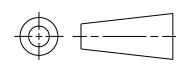
TABLE I (CONTINUED)

NAVSEA PART NUMBER	SHELL SIZE SERIES		FIGURE	A METRIC R H THREAD CLASS 6H	B MAX O D	Z ±.020 DIA	ENTRY SIZE	D MIN DIA
	COM'L	MIL						
5617636-1000	13	C	7	M18X1.0	1.04	.375	06	.581
5617636-1010	13	C	7	M18X1.0	1.04	.500	08	.705
5617636-1020	13	C	7(T2)	M18X1.0	1.18	.625	10	.831
5617636-1100	25	J	7	M37X1.0	1.85	.375	06	.581
5617636-1101	25	J	7	M37X1.0	1.85	.500	08	.705
5617636-1102	J (25)		7	M37X1.0	1.85	.625	10	.831
5617636-1105	25	J	7	M37X1.0	1.843	.750	12	.953
5617636-1200	15	D	7	M22X1.0	1.16	.500	08	.705
5617636-1400	E (17)		7	M25X1.0	1.29	.625	10	.831
5617636-1410	17	E	7	M25X1.0	1.29	.500	08	.705
5617636-1600	F (19)		7	M28X1.0	1.41	.750	12	.953

TABLE I (CONTINUED)

NAVSEA PART NUMBER	SHELL SIZE SERIES		FIGURE	A R H THREAD CLASS 2B	B MAX O D	Z ±.020 DIA	ENTRY SIZE	D MIN DIA
5617636-2100	12		9	.688-24UNEF	.98	.500	08	.705
5617636-2120	14		9(T2)	.812-20UNEF	1.35	.750	12	.953

© 2021 TE Connectivity. All Rights Reserved.


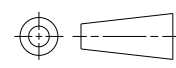
DIMENSIONS: in	DWN GREISY VALENZUELA 14SEP2021	MATERIAL	FINISH
	CHK OSCAR ALVARADO 14SEP2021	 TE Connectivity	
TOLERANCES UNLESS OTHERWISE SPECIFIED:	APVD OSCAR ALVARADO 14SEP2021		
	PRODUCT SPEC	SIZE	CAGE CODE
0 PLC ±-	APPLICATION SPEC	DRAWING NO	RESTRICTED TO
1 PLC ±		A 4	53711
2 PLC ±		C=2400690-1	
3 PLC ±			
4 PLC ±			
ANGLES ±-	WEIGHT		
	CUSTOMER DRAWING	SCALE	DRAWING SCALE 11 OF 29
			REV 1

REVISIONS				
P	LTR	DESCRIPTION	DATE	APVD
	-	SEE SHEET I	-	-

TABLE II

NAVSEA PART NO.	TYCO ELECTRONICS PART NO.	SUNBANK PART NO.	GLENAIR PART NO.
5617636-	TX54AB00-0804	S1680-0401-34-N	319AS067NF0804
5617636-1	TX54AB00-0806	S1680-0403-34-N	319AS067NF0806
5617636-5	TX54AB00-1006	S1680-0703-34-N	319AS067NF1006
5617636-6	TX54AB00-1008	S1680-0705-34-N	319AS067NF1008
5617636-8	TX54AB00-1010	S1680-0707-34-N	319AS067NF1010
5617636-10	TX54AB00-1206	S1680-1003-34-N	319AS067NF1206
5617636-11	TX54AB00-1210	S1680-1007-34-N	319AS067NF1210
5617636-12	TX54AB00-1212	S1680-1009-34-N	319AS067NF1212
5617636-15	TX54AB00-1406	S1680-1303-34-N	319AS067NF1406
5617636-16	TX54AB00-1408	S1680-1305-34-N	319AS067NF1408
5617636-17	TX54AB00-1410	S1680-1307-34-N	319AS067NF1410
5617636-18	TX54AB00-1412	S1680-1309-34-N	319AS067NF1412
5617636-19	TX54AB00-1422	S1680-1317-34-N	319AS067NF1422
5617636-20	TX54AB00-1606	S1680-1603-34-N	319AS067NF1606
5617636-21	TX54AB00-1610	S1680-1607-34-N	319AS067NF1610
5617636-22	TX54AB00-1612	S1680-1609-34-N	319AS067NF1612
5617636-23	TX54AB00-1622	S1680-1617-34-N	319AS067NF1622
5617636-24	TX54AB00-1616	S1680-1611-34-N	319AS067NF1616
5617636-25	TX54AB00-1806	S1680-1803-34-N	319AS067NF1806
5617636-26	TX54AB00-1810	S1680-1807-34-N	319AS067NF1810
5617636-27	TX54AB00-1808	S1680-1805-34-N	319AS067NF1808
5617636-28	TX54AB00-1812	S1680-1809-34-N	319AS067NF1812
5617636-29	TX54AB00-1816	S1680-1811-34-N	319AS067NF1816
5617636-30	TX54AB00-2006	S1680-2203-34-N	319AS067NF2006
5617636-31	TX54AB00-2008	S1680-2205-34-N	319AS067NF2008
5617636-32	TX54AB00-2010	S1680-2207-34-N	319AS067NF2010
5617636-33	TX54AB00-2012	S1680-2209-34-N	319AS067NF2012
5617636-34	TX54AB00-2022	S1680-2217-34-N	319AS067NF2022
5617636-35	TX54AB00-2206	S1680-2503-34-N	319AS067NF2206
5617636-36	TX54AB00-2210	S1680-2507-34-N	319AS067NF2210
5617636-37	TX54AB00-2212	S1680-2509-34-N	319AS067NF2212
5617636-38	TX54AB00-2214	S1680-2510-34-N	319AS067NF2214

© 2021 TE Connectivity. All Rights Reserved.


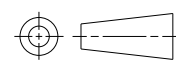
DIMENSIONS: in		DWN 14SEP2021 GREISY VALENZUELA		MATERIAL		FINISH -	
TOLERANCES UNLESS OTHERWISE SPECIFIED:		CHK 14SEP2021 OSCAR ALVARADO					
0 PLC ±- 1 PLC ± 2 PLC ± 3 PLC ± 4 PLC ± ANGLES ±-		APVD 14SEP2021 OSCAR ALVARADO					
		PRODUCT SPEC		NAME ADAPTER, ELECTRICAL CONNECTOR SHRINK BOOT, STRAIGHT			
		APPLICATION SPEC		SIZE A4		CAGE CODE 53711	
				DRAWING NO C-2400690-1		RESTRICTED TO -	
		WEIGHT -		SCALE DRAWING			
		CUSTOMER DRAWING		SHEET 12 OF 29		REV 1	

REVISIONS					
P	LTR	DESCRIPTION	DATE	DWN	APVD
	-	SEE SHEET I	-	-	-

TABLE II

NAVSEA PART NO.	TYCO ELECTRONICS PART NO.	SUNBANK PART NO.	GLENAIR PART NO.
5617636-39	TX54AB00-2216	S1680-2511-34-N	319AS067NF2216
5617636-40	TX54AB00-2406	S1680-2803-34-N	319AS067NF2406
5617636-41	TX54AB00-2410	S1680-2807-34-N	319AS067NF2410
5617636-42	TX54AB00-2412	S1680-2809-34-N	319AS067NF2412
5617636-43	TX54AB00-2414	S1680-2810-34-N	319AS067NF2414
5617636-44	TX54AB00-2422	S1680-2817-34-N	319AS067NF2422
5617636-45	TX54AB00-2810	S1680-3107-34-N	319AS067NF2810
5617636-46	TX54AB00-2814	S1680-3110-34-N	319AS067NF2814
5617636-47	TX54AB00-2806	S1680-3103-34-N	319AS067NF2806
5617636-48	TX54AB00-2822	S1680-3117-34-N	319AS067NF2822
5617636-49	TX54AB00-2812	S1680-3109-34-N	319AS067NF2812
5617636-50	TX54AB00-3216	S1680-3411-34-N	319AS067NF3216
5617636-51	TX54AB00-3212	S1680-3409-34-N	319AS067NF3212
5617636-52	TX54AB00-3220	S1680-3416-34-N	319AS067NF3220
5617636-53	203M032-19B28G-NB	S1680-3420-34-N	319AS067NF3228
5617636-54	TX54AB00-3612	S1680-3909-34-N	319AS067NF3612
5617636-55	TX54AB00-3614	S1680-3910-34-N	319AS067NF3614
5617636-56	TX54AB00-3620	S1680-3916-34-N	319AS067NF3620
5617636-57	TX54AB00-3616	S1680-3911-34-N	319AS067NF3616
5617636-59	203M036-19B28G-NB	S1680-3920-34-N	319AS067NF3628
5617636-60	TX54AB00-4016	S1680-4211-34-N	319AS067NF4016
5617636-61	TX54AB00-2816	S1680-3111-34-N	319AS067NF2816
5617636-67	TX54AB00-2222	S1680-2517-34-N	319AS067NF2222
5617636-68	TX54AB00-3222	S1680-3417-34-N	319AS067NF3222
5617636-69	TX54AB00-2416	S1680-2811-34-N	319AS067NF2416
5617636-70	TX54AB00-2016	S1680-2211-34-N	319AS067NF2016
5617636-71	TX54AB00-2008	S1680-2505-34-N	319AS067NF2208
5617636-100	TX18AB00B0804	S2352A0101-34-N	319BS067NF0304L
5617636-105	TX18AB00-1006	S2352A0503-34-N	319BS067NF0606L
5617636-110	TX18AB00B1206	S2352A0703-34-N	319BS067NF1206L
5617636-115	TX18AB00-1407	S2352A1004-34-N	319BS067NF1407A
5617636-120	TX18AB00-1610	S2352A1307-34-N	319BS067NF1510A
5617636-125	TX18AB00-1806	S2352A1603-34-N	319BS067NF1606A

© 2021 TE Connectivity. All Rights Reserved.


DIMENSIONS: in	DWN 14SEP2021 GREISY VALENZUELA	MATERIAL	FINISH -
	CHK 14SEP2021 OSCAR ALVARADO		
TOLERANCES UNLESS OTHERWISE SPECIFIED:	APVD 14SEP2021 OSCAR ALVARADO		
0 PLC ±-	PRODUCT SPEC	SIZE	CAGE CODE
1 PLC ±	-	A 4	53711
2 PLC ±	APPLICATION SPEC	DRAWING NO	RESTRICTED TO
3 PLC ±	-	©=2400690-1	-
4 PLC ±	WEIGHT	CUSTOMER DRAWING	
ANGLES ±-	-	SCALE	SHEET 13 OF 29
		DRAWING	REV 1

REVISIONS					
P	LTR	DESCRIPTION	DATE	DWN	APVD
	-	SEE SHEET I	-	-	-

TABLE II

NAVSEA PART NO.	TYCO ELECTRONICS PART NO.	SUNBANK PART NO.	GLENAIR PART NO.
5617636-130	TX18AB00B2006	S2352A1903-34-N	319BS067NF1806L
5617636-132	TX18AB00B2010	S2352A1907-34-N	319BS067NF1810L
5617636-135	218M722-19B15G-NB	S2352A2315-34-N	319BS067NF2015A
5617636-140	TX18AB00-2416	S2352A2611-34-N	319BS067NF2116A
5617636-145	TX18AB00-2816	S2352A3011-34-N	319BS067NF2216A
5617636-150	TX18AB00B3210	S2352A3207-34-N	319BS067NF2410L
5617636-155	TX18AB00B3616	S2352A3511-34-N	319BS067NF2816L
5617636-160	TX18AB00B4016	S2352A4011-34-N	319BS067NF3316L
5617636-200	218M708C19B03G-NB	S2352A0314-34-N	319BS067NF0203M
5617636-210	TX18AB00C1206	S2352A0703-34-N	319BS067NF1206N
5617636-215	TX18AB00-1406	S2352A1003-34-N	319BS067NF1406A
5617636-230	TX18AB00C2006	S2352A1903-34-N	319BS067NF1806N
5617636-235	TX18AB00-2214	S2352A2310-34-N	319BS067NF2014A
5617636-250	TX18AB00C3210	S2352A3207-34-N	319BS067NF2410N
5617636-255	TX18AB00C3616	S2352A3711-34-N	319BS067NF2716N
5617636-260	TX18AB00C4016	S2352A4111-34-N	319BS067NF3216N
5617636-263	TX30AB00-1210	S2362-1307-34-N	319GS067NF1310
5617636-265	TX30AB00-1212	S2362-1309-34-N	319GS067NF1312
5617636-268	TX30AB00-1010	S2362-1007-34-N	319GS067NF1110
5617636-270	TX30AB00-1412	S2362-1609-34-N	319GS067NF1512
5617636-272	TX30AB00-1616	S2362-1911-34-N	319GS067NF1716
5617636-273	TX30AB00-1622	S2362-1917-34-N	319GS067NF1722
5617636-274	TX30AB00-1612	S2362-1909-34-N	319GS067NF1712
5617636-275	TX30AB00-1822	S2362-2317-34-N	319GS067NF1922
5617636-279	TX30AB00-2216	S2362-2811-34-N	319GS067NF2316
5617636-280	TX30AB00-2222	S2362-2817-34-N	319GS067NF2322
5617636-290	211M524-19B28G-NB	S2362-5020-34-N	319GS067NF2528
5617636-291	TX30AB00-2410	S2362-5007-34-N	319GS067NF2510
5617636-292	TX30AB00-2416	S2362-5011-34-N	319GS067NF2516
5617636-300	TX18AB00C0804	S2352A0301-34-N	319BS067NF0204N
5617636-310	TX18AB00C1106	S2352A0603-34-N	319BS067NF0906N
5617636-315	TX18AB00C1205	S2352A0702-34-N	319BS067NF1205N
5617636-400	TX18AB00A0804	S2352A0201-34-N	319BS067NF0404H
5617636-410	TX18AB00A1205	S2352A0902-34-N	319BS067NF1305H

© 2021 TE Connectivity. All Rights Reserved.


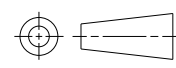
DIMENSIONS: in		DWN 14SEP2021 GREISY VALENZUELA	MATERIAL	FINISH -
TOLERANCES UNLESS OTHERWISE SPECIFIED:		CHK 14SEP2021 OSCAR ALVARADO		
0 PLC ±- 1 PLC ± 2 PLC ± 3 PLC ± 4 PLC ± ANGLES ±-		APVD 14SEP2021 OSCAR ALVARADO		
PRODUCT SPEC		NAME ADAPTER, ELECTRICAL CONNECTOR SHRINK BOOT, STRAIGHT		
APPLICATION SPEC		SIZE A4 CAGE CODE 53711 DRAWING NO C-2400690-1 RESTRICTED TO -		
WEIGHT -		CUSTOMER DRAWING SCALE DRAWING SHEET 14 OF 29 REV 1		

REVISIONS					
P	LTR	DESCRIPTION	DATE	DWN	APVD
	-	SEE SHEET I	-	-	-

TABLE II

NAVSEA PART NO.	TYCO ELECTRONICS PART NO.	SUNBANK PART NO.	GLENAIR PART NO.
5617636-430	TX18AB00A2006	S2352A1903-34-N	319BS067NF1806H
5617636-431	TX18AB00A2012	S2352A1909-34-N	319BS067NF1812H
5617636-450	TX18AB00A3210	S2352A3307-34-N	319BS067NF2510H
5617636-455	TX18AB00A3616	S2352A3611-34-N	319BS067NF3016H
5617636-460	TX18AB00A4016	S2352A4111-34-N	319BS067NF3216H
5617636-500	TX15AB00-0304	S2359-0501-34-N	319BS067NF0504A-705
5617636-505	TX15AB00-0405	S2359-0702-34-N	319BS067NF1105A-705
5617636-510	TX15AB00-0607	S2359-1004-34-N	319BS067NF1407A-705
5617636-515	TX15AB00-0810	S2359-1307-34-N	319BS067NF1510A-705
5617636-520	TX15AB00-1006	S2359-1603-34-N	319BS067NF1606A-705
5617636-525	TX15AB00-1206	S2359-2203-34-N	319BS067NF1706A-705
5617636-526	TX15AB00-1214	S2359-2210-34-N	319BS067NF1714A-705
5617636-530	TX15AB00-1616	S2359-2811-34-N	319BS067NF2116A-705
5617636-535	TX15AB00-2006	S2359-3103-34-N	319BS067NF2306A-705
5617636-536	TX15AB00-2010	S2359-3107-34-N	319BS067NF2310A-705
5617636-540	TX15AB00-2416	S2359-3411-34-N	319BS067NF2616A-705
5617636-575	TX18AB00-2216	S2352A2311-34-N	319BS067NF2016A
5617636-600	TX18AB00R1106	S2352A0703-34-N	319BS067NF1006J
5617636-605	TX18AB00R1206	S2352A0903-34-N	319BS067NF1306J
5617636-625	TX18AB00R2006	S2352B2003-34-N	319BS067NF1906J
5617636-626	TX18AB00R2012	S2352B2009-34-N	319BS067NF1912J
5617636-645	TX18AB00R3210	S2352A3307-34-N	319BS067NF2510J
5617636-650	TX18AB00R3616	S2352B3811-34-N	319BS067NF2916J
5617636-700	TX32AB00-1207	S2360-1004-34-N	319CS067NF1207
5617636-705	207M314-19B09G-NB	S2360-1306-34-N	319CS067NF1409
5617636-710	TX32AB00-1606	S2360-1603-34-N	319CS067NF1606
5617636-711	207M316-19B11G-NB	S2360-1608-34-N	319CS067NF1611
5617636-712	TX32AB00-1610	S2360-1607-34-N	319CS067NF1610
5617636-713	TX32AB00-1612	S2360-1609-34-N	319CS067NF1612
5617636-715	TX32AB00-1806	S2360-1903-34-N	319CS067NF1806
5617636-716	TX32AB00-1812	S2360-1909-34-N	319CS067NF1812
5617636-717	TX32AB00-1810	S2360-1907-34-N	319CS067NF1810
5617636-719	TX32AB00-1816	S2360-1911-34-N	319CS067NF1816

© 2021 TE Connectivity. All Rights Reserved.


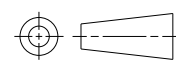
DIMENSIONS: in		DWN 14SEP2021 GREISY VALENZUELA	MATERIAL		FINISH -	
TOLERANCES UNLESS OTHERWISE SPECIFIED:		CHK 14SEP2021 OSCAR ALVARADO				
0 PLC ±- 1 PLC ± 2 PLC ± 3 PLC ± 4 PLC ± ANGLES ±-		APVD 14SEP2021 OSCAR ALVARADO				
		PRODUCT SPEC	NAME ADAPTER, ELECTRICAL CONNECTOR SHRINK BOOT, STRAIGHT			
		APPLICATION SPEC	SIZE A4	CAGE CODE 53711	DRAWING NO C-2400690-1	RESTRICTED TO -
		WEIGHT -	CUSTOMER DRAWING			
		SCALE DRAWING		SHEET 15 OF 29		REV 1

REVISIONS					
P	LTR	DESCRIPTION	DATE	DWN	APVD
	-	SEE SHEET I	-	-	-

TABLE II

NAVSEA PART NO.	TYCO ELECTRONICS PART NO.	SUNBANK PART NO.	GLENAIR PART NO.
5617636-720	TX32AB00-2006	S2360-2303-34-N	319CS067NF2006
5617636-721	TX32AB00-2014	S2360-2310-34-N	319CS067NF2014
5617636-722	TX32AB00-2010	S2360-2307-34-N	319CS067NF2010
5617636-723	TX32AB00-2012	S2360-2309-34-N	319CS067NF2012
5617636-725	TX32AB00-2206	S2360-2603-34-N	319CS067NF2206
5617636-726	TX32AB00-2216	S2360-2611-34-N	319CS067NF2216
5617636-727	TX32AB00-2210	S2360-2607-34-N	319CS067NF2210
5617636-728	TX32AB00-2212	S2360-2609-34-N	319CS067NF2212
5617636-729	TX32AB00-2214	S2360-2610-34-N	319CS067NF2214
5617636-730	TX32AB00-2410	S2360-3007-34-N	319CS067NF2410
5617636-731	TX32AB00-2416	S2360-3011-34-N	319CS067NF2416
5617636-732	TX32AB00-2408	S2360-3005-34-N	319CS067NF2408
5617636-735	TX32AB00-2816	S2360-3211-34-N	319CS067NF2816
5617636-740	TX32AB00-3214	S2360-3510-34-N	319CS067NF3214
5617636-741	TX32AB00-3216	S2360-3511-34-N	319CS067NF3216
5617636-745	TX32AB00-3616	S2360-4011-34-N	319CS067NF3616
5617636-746	TX32AB00-3622	S2360-4017-34-N	319CS067NF3622
5617636-750	TX32AB00-4016	S2360-4311-34-N	319CS067NF4016
5617636-755	TX32AB00-2222	S2360-2617-34-N	319CS067NF2222
5617636-800	TX61AB00-0804	S1744-0504-34-N	319JS067NF0804
5617636-805	TX61AB00-1008	S1744-0808-34-N	319JS067NF1008
5617636-810	TX61AB00-1408	S1744-1408-34-N	319JS067NF1408
5617636-815	TX61AB00-1610	S1744-1710-34-N	319JS067NF1610
5617636-820	TX61AB00-1812	S1744-2112-34-N	319JS067NF1812
5617636-821	TX61AB00-1814	S1744-2114-34-N	319JS067NF1814
5617636-822	TX61AB00-1810	S1744-2110-34-N	319JS067NF1810
5617636-825	TX61AB00-2014	S1744-2414-34-N	319JS067NF2014
5617636-830	TX61AB00-2216	S1744-2716-34-N	319JS067NF2216
5617636-831	TX61AB00-2206	S1744-2706-34-N	319JS067NF2206
5617636-835	TX61AB00-2416	S1744-2916-34-N	319JS067NF2416
5617636-900	TX41AB00-0804	S1693-0301-34-N	319FS067NF0804
5617636-905	TX41AB00-1005	S1693-0602-34-N	319FS067NF1005
5617636-906	TX41AB00-1008	S1693-0605-34-N	319FS067NF1008

© 2021 TE Connectivity. All Rights Reserved.


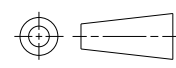
DIMENSIONS: in		DWN 14SEP2021 GREISY VALENZUELA	MATERIAL	FINISH -			
TOLERANCES UNLESS OTHERWISE SPECIFIED:		CHK 14SEP2021 OSCAR ALVARADO					
0 PLC ±- 1 PLC ± 2 PLC ± 3 PLC ± 4 PLC ± ANGLES ±-		APVD 14SEP2021 OSCAR ALVARADO					
		PRODUCT SPEC -	NAME ADAPTER, ELECTRICAL CONNECTOR SHRINK BOOT, STRAIGHT				
		APPLICATION SPEC -	SIZE A4	CAGE CODE 53711	DRAWING NO C-2400690-1	RESTRICTED TO -	
		WEIGHT -	CUSTOMER DRAWING		SCALE DRAWING	SHEET 16 OF 29	REV 1

REVISIONS					
P	LTR	DESCRIPTION	DATE	DWN	APVD
	-	SEE SHEET I	-	-	-

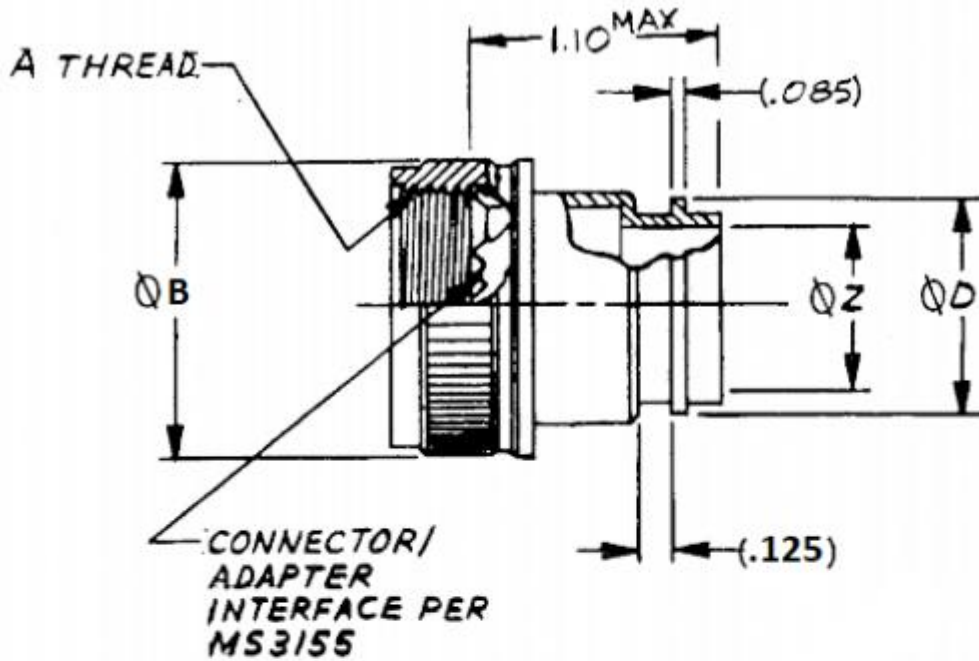
TABLE II

NAVSEA PART NO.	TYCO ELECTRONICS PART NO.	SUNBANK PART NO.	GLENAIR PART NO.
5617636-910	TX41AB00-1206	S1693-0903-34-N	319FS067NF1206
5617636-911	TX41AB00-1208	S1693-0905-34-N	319FS067NF1208
5617636-912	TX41AB00-1216	S1693-0911-34-N	319FS067NF1216
5617636-913	TX41AB00-1212	S1693-0909-34-N	319FS067NF1212
5617636-914	TX41AB00-1210	S1693-0907-34-N	319FS067NF1210
5617636-915	TX41AB00-1408	S1693-1205-34-N	319FS067NF1408
5617636-920	TX41AB00-1606	S1693-1503-34-N	319FS067NF1606
5617636-921	TX41AB00-1610	S1693-1507-34-N	319FS067NF1610
5617636-925	TX41AB00-1812	S1693-1809-34-N	319FS067NF1812
5617636-930	TX41AB00-2014	S1693-2210-34-N	319FS067NF2014
5617636-931	TX41AB00-2022	S1693-2217-34-N	319FS067NF2022
5617636-935	TX41AB00-2216	S1693-2511-34-N	319FS067NF2216
5617636-940	TX41AB00-2416	S1693-2811-34-N	319FS067NF2416
5617636-950	TX41AB00-2422	S1693-2817-34-N	319FS067NF2422
5617636-1000	TX40AB00-1206	S2306-6702-34-N	319HS067NF1306
5617636-1010	TX40AB00-1208	S2306-6704-34-N	319HS067NF1308
5617636-1020	TX40AB00-1210	S2306-6706-34-N	319HS067NF1310
5617636-1100	TX40AB00-2406	S2306-7702-34-N	319HS067NF2506
5617636-1101	TX40AB00-2408	S2306-7704-34-N	319HS067NF2508
5617636-1102	TX40AB00-2410	S2306-7706-34-N	319HS067NF2510
5617636-1105	TX40AB00-2412	S2306-7708-34-N	319HS067NF2512
5617636-1200	TX40AB00-1408	S2306-6904-34-N	319HS067NF1508
5617636-1400	TX40AB00-1610	S2306-7006-34-N	319HS067NF1710
5617636-1410	TX40AB00-1608	S2306-7004-34-N	319HS067NF1708
5617636-1600	TX40AB00-1812	S2306-7108-34-N	319HS067NF1912
5617636-2100	TX21AB00-1208	S1682-0905L-34E	319DS067NF1208
5617636-2120	TX21AB00-1412	S1682-1209L-34E	319DS067NF1412

© 2021 TE Connectivity. All Rights Reserved.

DIMENSIONS: in	DWN GREISY VALENZUELA 14SEP2021	MATERIAL	FINISH	 TE Connectivity	
	CHK OSCAR ALVARADO 14SEP2021				
TOLERANCES UNLESS OTHERWISE SPECIFIED:	APVD OSCAR ALVARADO 14SEP2021	NAME ADAPTER, ELECTRICAL CONNECTOR SHRINK BOOT, STRAIGHT			
	PRODUCT SPEC				
0 PLC ±-	APPLICATION SPEC	SIZE	CAGE CODE	DRAWING NO	RESTRICTED TO
1 PLC ±		A 4	53711	©=2400690-1	-
2 PLC ±					
3 PLC ±					
4 PLC ±					
ANGLES ±-	WEIGHT				
	CUSTOMER DRAWING	SCALE	SHEET	OF	REV
		DRAWING	SCALE	17	29

REVISIONS					
P	LTR	DESCRIPTION	DATE	DWN	APVD
	-	SEE SHEET 1	-	-	-



NOTE:

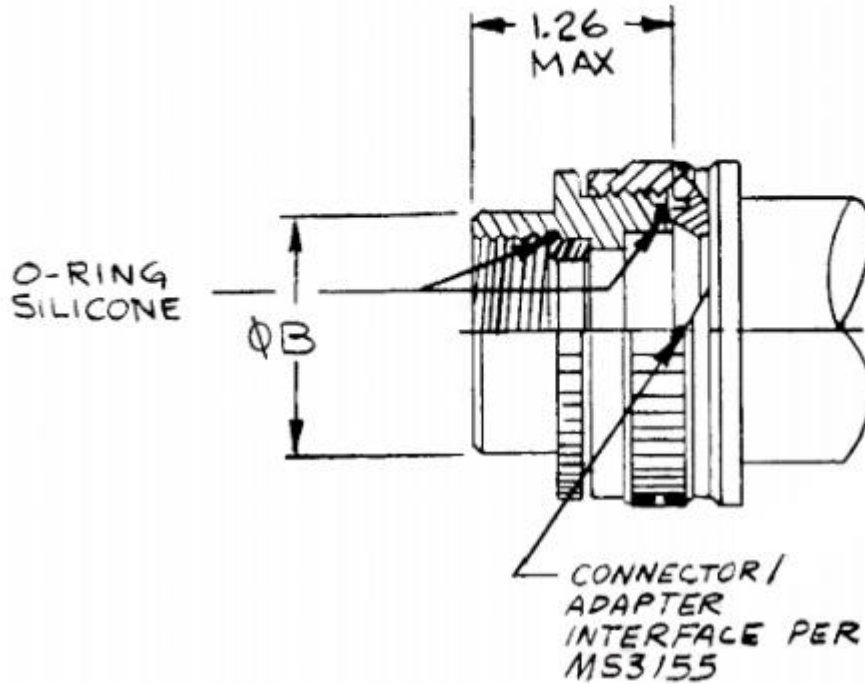
- FOR USE WITH MIL-C-5015, CLASS D, L, U, & W, CRIMP CONTACT ONLY, 3400. MS3401, MS3404, MS3406, MS3450, MS3451, MS3454, & MS3456, MIL-C-26482, SERIES 2, CLASS A & L. MS3470, MS3471, MS3472, MS3474, MS3475 & MS3476, MIL-C-83723, SERIES I, CLASS A, G & R. M83723/1, /2, /3, /4, /5, /6, /7, /8, /13, /14, /42, & /43, MIL-C-83723, SERIES III, CLASS A, G, K, R, & S. M83723/71, /72, /73, /74, /75, /76, /77, /78, /82, /83, /84, /85, /86, /87, /95, & /96. NAS1599, CLASS G & R, NAS1641, 1642, 1643, 1650, 1651, 1652, 1653, 1692, 1693, 1694, 1699, 1700, 1701, & 1702.

FIGURE 1.

© 2021 TE Connectivity. All Rights Reserved.

DIMENSIONS: in		DWN 14SEP2021 GREISY VALENZUELA	MATERIAL	FINISH -
TOLERANCES UNLESS OTHERWISE SPECIFIED:		CHK 14SEP2021 OSCAR ALVARADO		
0 PLC ±-	1 PLC ±	APVD 14SEP2021 OSCAR ALVARADO		
2 PLC ±	3 PLC ±	PRODUCT SPEC	NAME ADAPTER, ELECTRICAL CONNECTOR SHRINK BOOT, STRAIGHT	
4 PLC ±	ANGLES ±-	APPLICATION SPEC	SIZE	CAGE CODE
		WEIGHT	A 4	53711
CUSTOMER DRAWING			DRAWING NO	RESTRICTED TO
			©=2400690-1	-
			SCALE	SHEET
			DRAWING	18 OF 29
			REV	1

REVISIONS					
P	LTR	DESCRIPTION	DATE	DWN	APVD
	-	SEE SHEET 1	-	-	-



TYPE II — OPTIONAL EXTENDED ASSEMBLY

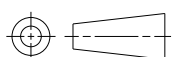
TWO PIECE ADAPTER MAY BE SUPPLIED (MANUFACTURER'S OPTION) WHEN ENTRY SIZE EQUALS OR EXCEEDS CONNECTOR INSERT DIA.

FIGURE 1(T2)

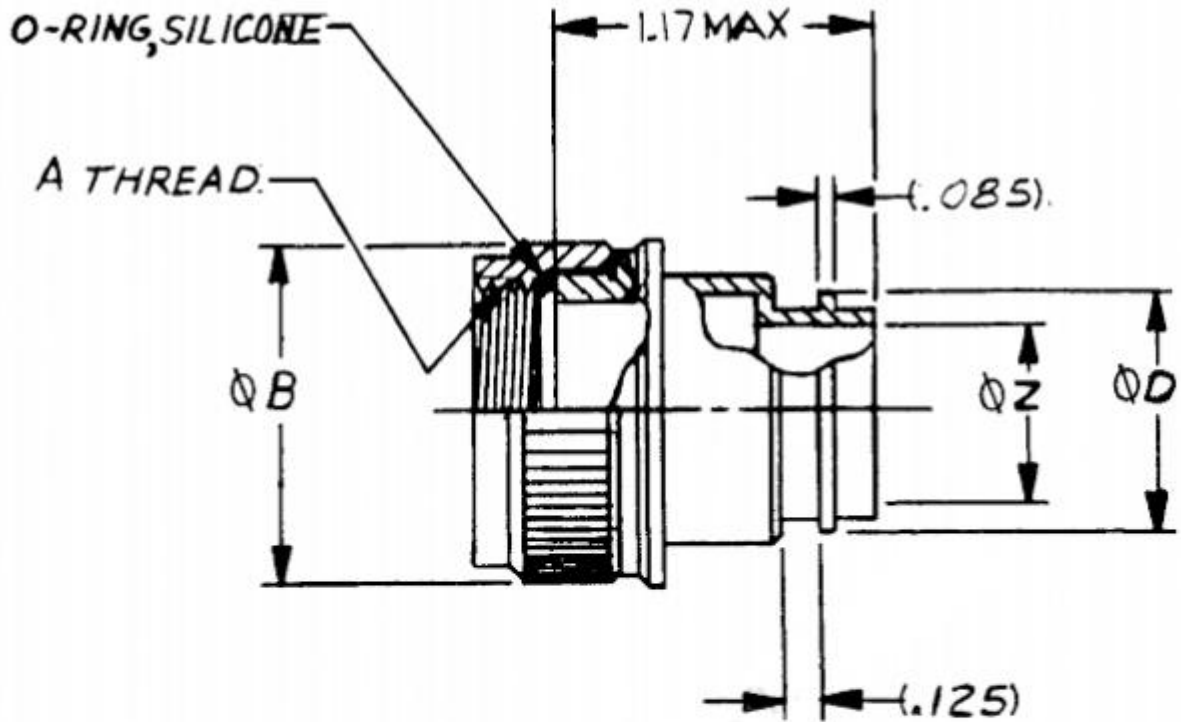
NOTE: FIGURE SHOWN ABOVE HAS SAME DIMENSIONS AS FIGURE 1, EXCEPT WHERE NOTED.

© 2021 TE Connectivity. All Rights Reserved.

DIMENSIONS: in	DWN 14SEP2021 GREISY VALENZUELA	MATERIAL	FINISH	-	
	CHK 14SEP2021 OSCAR ALVARADO				
TOLERANCES UNLESS OTHERWISE SPECIFIED:	APVD 14SEP2021 OSCAR ALVARADO				NAME
0 PLC ±-	PRODUCT SPEC	SIZE	CAGE CODE	DRAWING NO	RESTRICTED TO
1 PLC ±	-	A 4	53711	©=2400690-1	-
2 PLC ±	APPLICATION SPEC	CUSTOMER DRAWING			SCALE
3 PLC ±	-	DRAWING			SHEET 19 OF 29
4 PLC ±	WEIGHT	-			REV 1
ANGLES ±-					



REVISIONS					
P	LTR	DESCRIPTION	DATE	DWN	APVD
	-	SEE SHEET 1	-	-	-



NOTE:

FOR USE WITH MIL-C-5015D, CLASS A, E, AND R, MS3100, MS3101, AND MS3106 RESILIENT INSERT SOLDER TYPE.

FIGURE 2.

© 2021 TE Connectivity. All Rights Reserved.

DIMENSIONS: in		DWN GREISY VALENZUELA 14SEP2021	MATERIAL	FINISH -
TOLERANCES UNLESS OTHERWISE SPECIFIED:		CHK OSCAR ALVARADO 14SEP2021		
0 PLC ±-		APVD OSCAR ALVARADO 14SEP2021		
1 PLC ±		PRODUCT SPEC	NAME ADAPTER, ELECTRICAL CONNECTOR SHRINK BOOT, STRAIGHT	
2 PLC ±		APPLICATION SPEC	SIZE	RESTRICTED TO
3 PLC ±			CAGE CODE	
4 PLC ±			DRAWING NO	
ANGLES ±-		WEIGHT	A 4	
			53711	
CUSTOMER DRAWING			©=2400690-1	
			SCALE	SHEET 20 OF 29
			DRAWING	REV 1

REVISIONS					
P	LTR	DESCRIPTION	DATE	DWN	APVD
	-	SEE SHEET 1	-	-	-

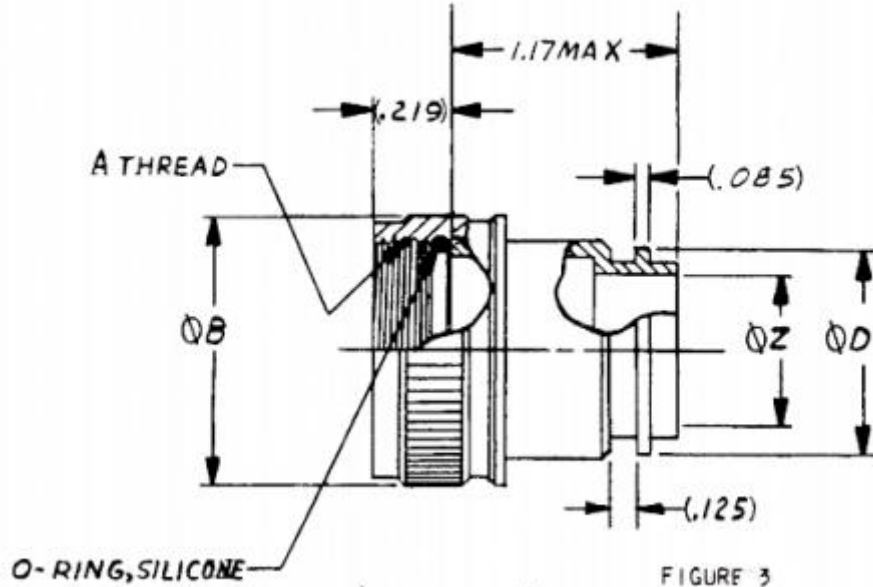


FIGURE 3

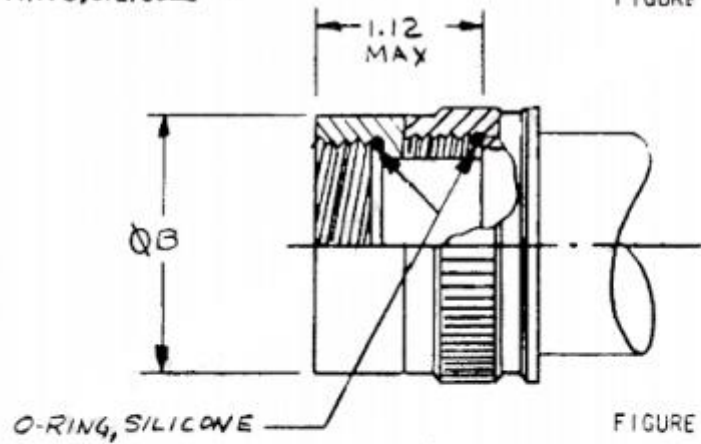



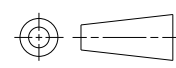
FIGURE 3(T2)

NOTE:

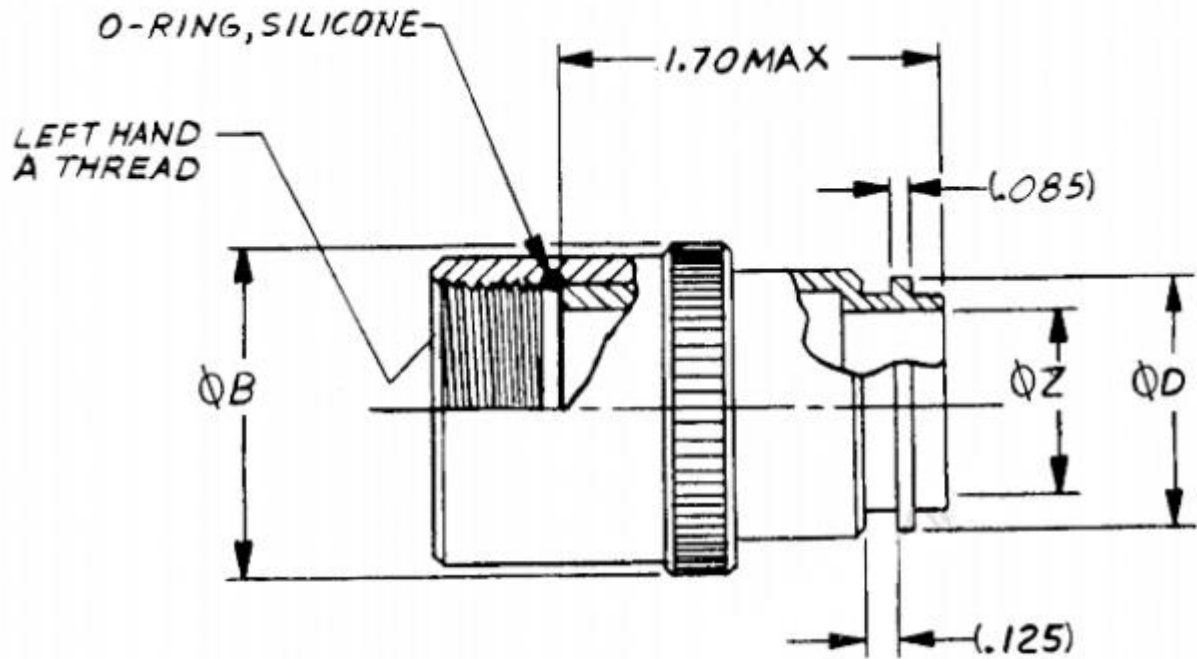
- FOR USE WITH AMPHENOL MIL-C-5015, SOLDER CONTACT MS 3100, MS 3101, MS 3106, AND MS 3107, CLASS E, F, AND R CONNECTORS, LESS ENDBELL.

FIGURE 3.

© 2021 TE Connectivity. All Rights Reserved.

DIMENSIONS: in		DWN GREISY VALENZUELA 14SEP2021	MATERIAL	FINISH -
TOLERANCES UNLESS OTHERWISE SPECIFIED:		CHK OSCAR ALVARADO 14SEP2021		
0 PLC ±-	1 PLC ±	APVD OSCAR ALVARADO 14SEP2021		
2 PLC ±	3 PLC ±	PRODUCT SPEC	NAME ADAPTER, ELECTRICAL CONNECTOR SHRINK BOOT, STRAIGHT	
4 PLC ±	ANGLES ±-	APPLICATION SPEC	SIZE A 4	CAGE CODE 53711
		WEIGHT -	DRAWING NO C=2400690-1	RESTRICTED TO -
CUSTOMER DRAWING			SCALE DRAWING	SHEET 21 OF 29 REV 1


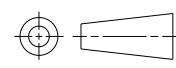
REVISIONS					
P	LTR	DESCRIPTION	DATE	DWN	APVD
	-	SEE SHEET 1	-	-	-



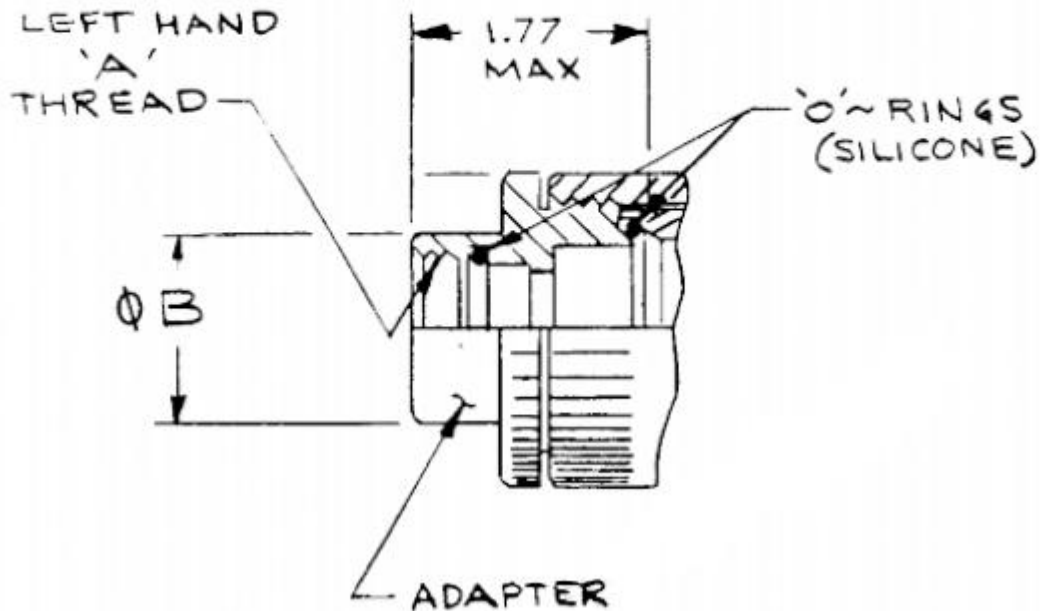
NOTE:
 1. FOR USE WITH MIL-C-22992 (BENDIX QWLD AND CANNON CWLD).

FIGURE 4.

© 2021 TE Connectivity. All Rights Reserved.

DIMENSIONS: in		DWN GREISY VALENZUELA 14SEP2021	MATERIAL	FINISH -
TOLERANCES UNLESS OTHERWISE SPECIFIED:		CHK OSCAR ALVARADO 14SEP2021	 TE Connectivity	
0 PLC ±-	1 PLC ±	APVD OSCAR ALVARADO 14SEP2021		
2 PLC ±	3 PLC ±	PRODUCT SPEC	NAME ADAPTER, ELECTRICAL CONNECTOR SHRINK BOOT, STRAIGHT	
4 PLC ±	ANGLES ±-	APPLICATION SPEC	SIZE A 4	CAGE CODE 53711
		WEIGHT -	DRAWING NO C=2400690-1	RESTRICTED TO -
CUSTOMER DRAWING			SCALE DRAWING SCALE 22 OF 29	REV 1

REVISIONS					
P	LTR	DESCRIPTION	DATE	DWN	APVD
	-	SEE SHEET 1	-	-	-



TYPE II — OPTIONAL EXTENDED ASSEMBLY

TWO PIECE ADAPTER MAY BE SUPPLIED (MANUFACTURER'S OPTION) WHEN ENTRY SIZE EQUALS OR EXCEEDS CONNECTOR INSERT DIA.

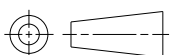
FIGURE 4(T2)

NOTE: FIGURE SHOWN ABOVE HAS SAME DIMENSIONS AS FIGURE 1, EXCEPT WHERE NOTED.

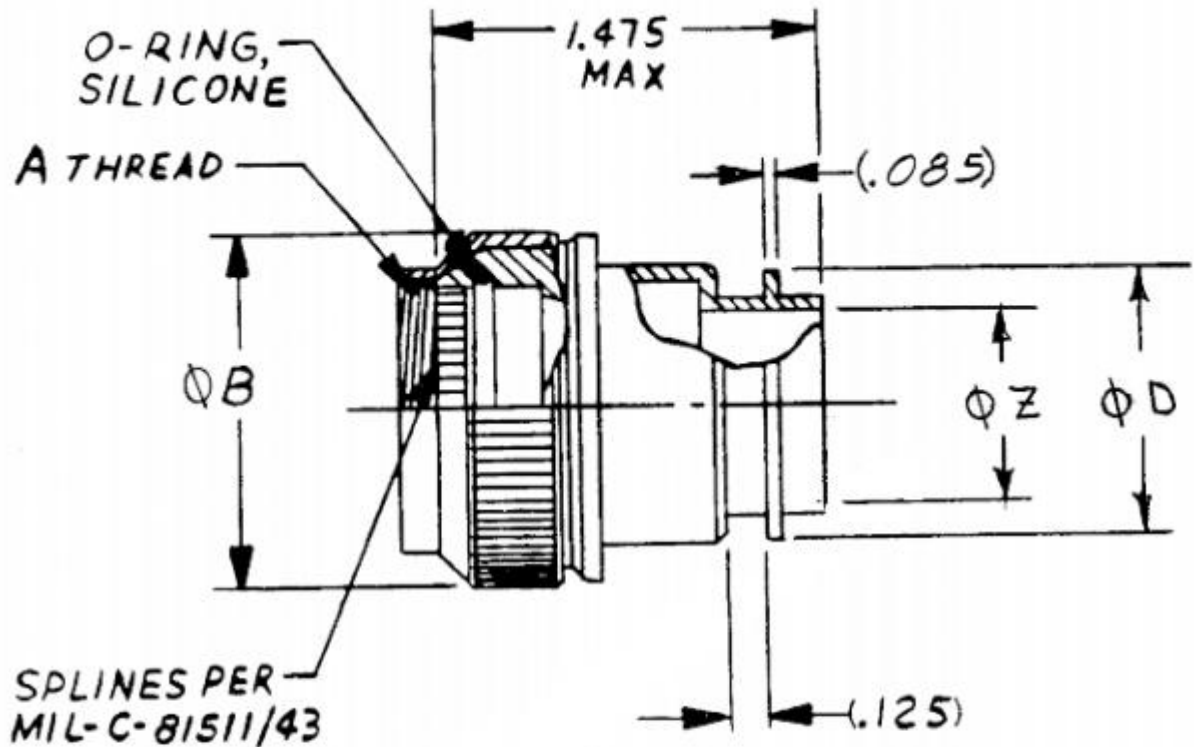
CONNECTOR ADAPTER INTERFACE PER FIGURE 4.

© 2021 TE Connectivity. All Rights Reserved.

DIMENSIONS: in	DWN GREISY VALENZUELA 14SEP2021	MATERIAL	FINISH	-	
	CHK OSCAR ALVARADO 14SEP2021				
TOLERANCES UNLESS OTHERWISE SPECIFIED:	APVD OSCAR ALVARADO 14SEP2021				NAME
0 PLC ±-	PRODUCT SPEC	SIZE	CAGE CODE	DRAWING NO	RESTRICTED TO
1 PLC ±	-	A 4	53711	©=2400690-1	-
2 PLC ±	APPLICATION SPEC	CUSTOMER DRAWING			SCALE
3 PLC ±	-	DRAWING			SHEET 23 OF 29
4 PLC ±	WEIGHT	-			REV 1
ANGLES ±-					



REVISIONS					
P	LTR	DESCRIPTION	DATE	DWN	APVD
	-	SEE SHEET 1	-	-	-

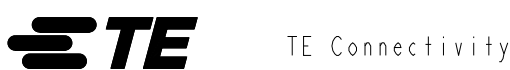
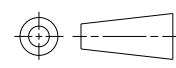


NOTE:

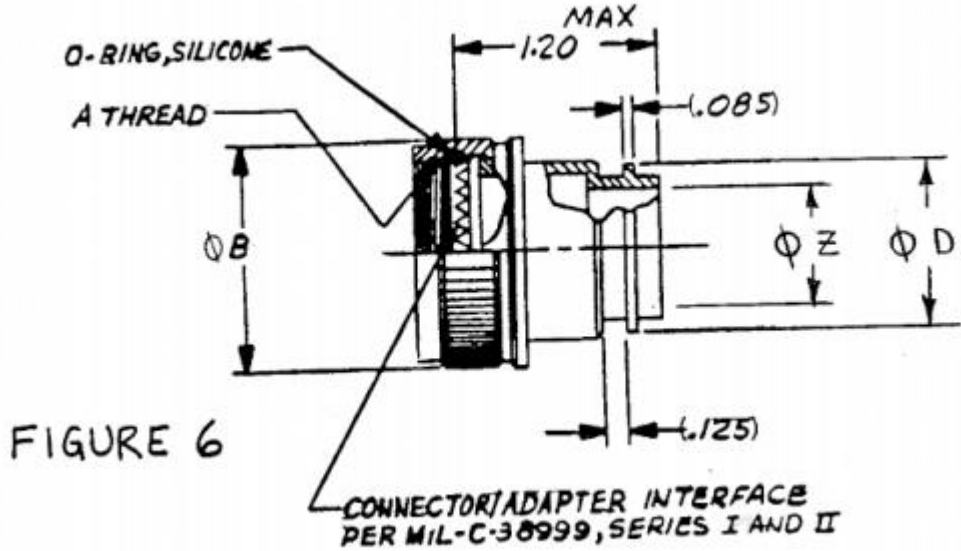
- FOR USE WITH MIL-C-81511, SERIES 1, 2, 3, AND 4 CONNECTORS.

FIGURE 5.

© 2021 TE Connectivity. All Rights Reserved.

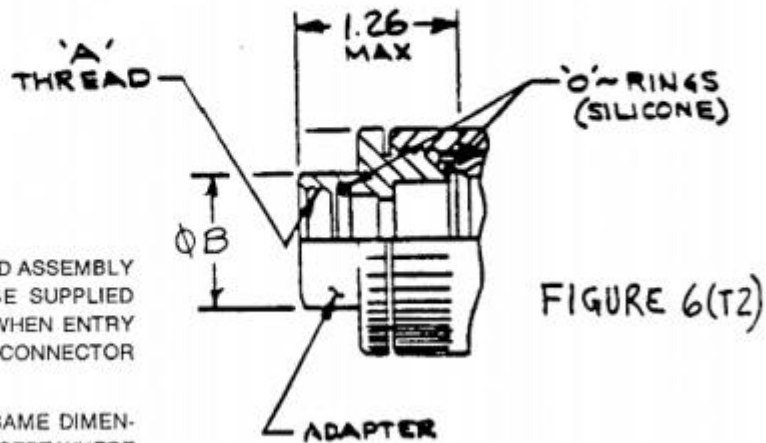
DIMENSIONS: in		DWN GREISY VALENZUELA 14SEP2021	MATERIAL	FINISH -
TOLERANCES UNLESS OTHERWISE SPECIFIED:		CHK OSCAR ALVARADO 14SEP2021		
0 PLC ±-		APVD OSCAR ALVARADO 14SEP2021		
1 PLC ±		PRODUCT SPEC	NAME ADAPTER, ELECTRICAL CONNECTOR SHRINK BOOT, STRAIGHT	
2 PLC ±		APPLICATION SPEC	SIZE	RESTRICTED TO
3 PLC ±			CAGE CODE	
4 PLC ±			DRAWING NO	
ANGLES ±-			WEIGHT	
			A 4 53711 C=2400690-1	
CUSTOMER DRAWING			SCALE	REV
			DRAWING SCALE	24 OF 29

REVISIONS					
P	LTR	DESCRIPTION	DATE	DWN	APVD
	-	SEE SHEET 1	-	-	-



NOTE:

- FOR USE WITH MIL-C-38999, SERIES I AND II, CLASS E, P, AND T, MS27466, MS27467, MS27468, MS27472, MS27473, MS27474, MS27479, MS27480, MS27481, MS27484, MS27497, MS27652, MS27653, AND MS27656.



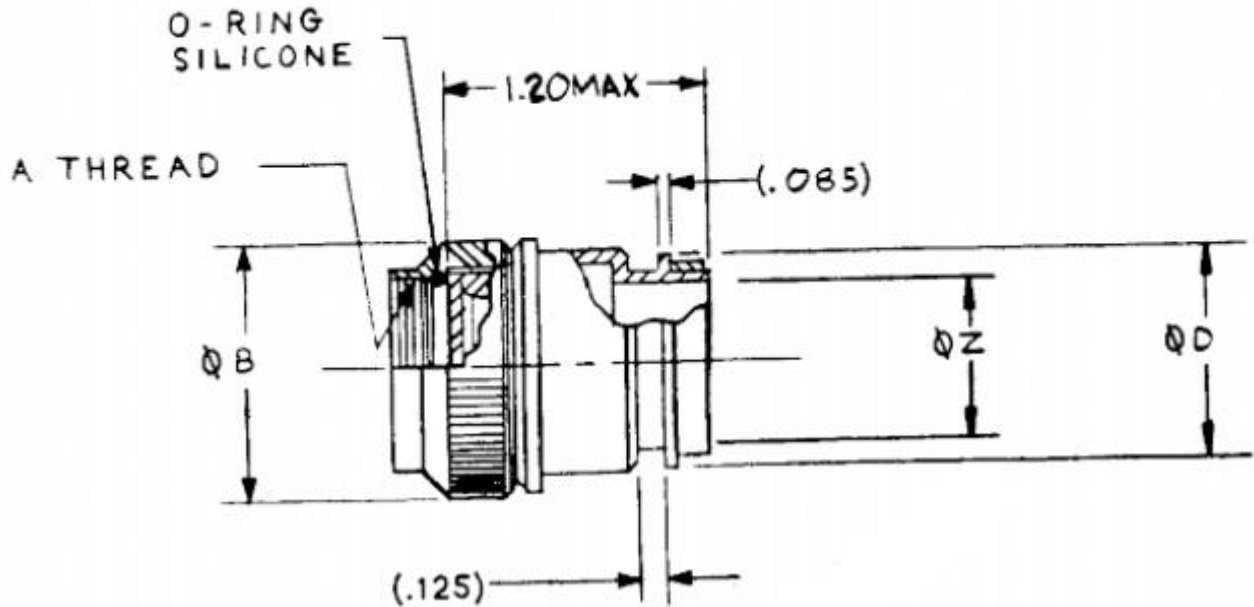
TYPE II — OPTIONAL EXTENDED ASSEMBLY TWO PIECE ADAPTER MAY BE SUPPLIED (MANUFACTURER'S OPTION) WHEN ENTRY SIZE EQUALS OR EXCEEDS CONNECTOR INSERT DIA.

NOTE: FIGURE SHOWN HAS SAME DIMENSIONS AS FIGURE 1, EXCEPT WHERE NOTED.

© 2021 TE Connectivity. All Rights Reserved.

DIMENSIONS: in	DWN 14SEP2021 GREISY VALENZUELA	MATERIAL	FINISH	TE Connectivity
	CHK 14SEP2021 OSCAR ALVARADO			
TOLERANCES UNLESS OTHERWISE SPECIFIED:	APVD 14SEP2021 OSCAR ALVARADO	NAME ADAPTER, ELECTRICAL CONNECTOR SHRINK BOOT, STRAIGHT		
	PRODUCT SPEC	SIZE	CAGE CODE	DRAWING NO
0 PLC ±- 1 PLC ± 2 PLC ± 3 PLC ± 4 PLC ± ANGLES ±-	APPLICATION SPEC	A 4	53711	©=2400690-1
	WEIGHT	RESTRICTED TO		
	CUSTOMER DRAWING	SCALE	SHEET	REV

REVISIONS					
P	LTR	DESCRIPTION	DATE	DWN	APVD
	-	SEE SHEET 1	-	-	-


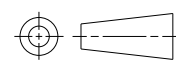


NOTE:

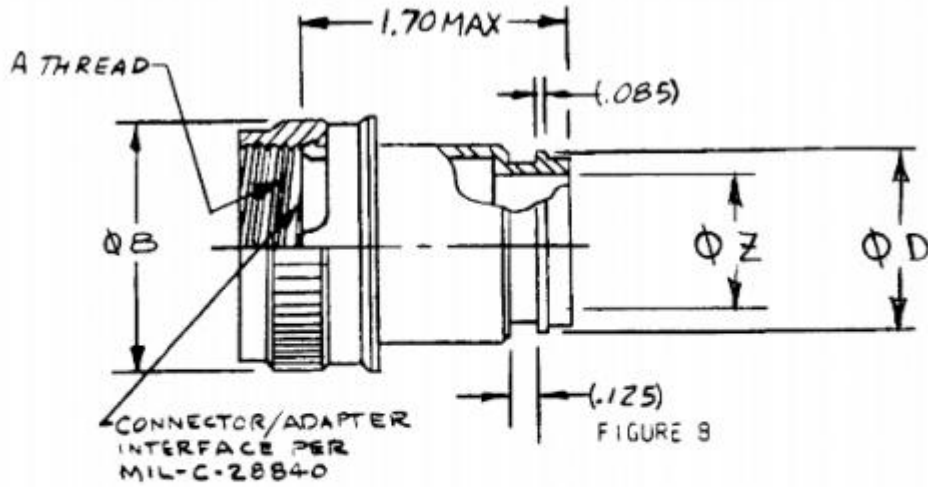
- FOR USE WITH MIL-C-38999, SERIES III AND IV CONNECTORS

FIGURE 7.

© 2021 TE Connectivity. All Rights Reserved.

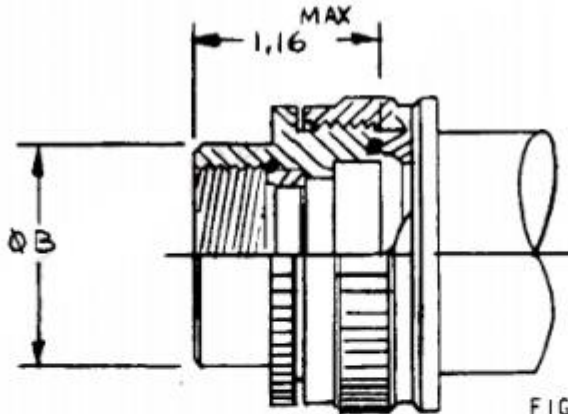
DIMENSIONS: in		DWN GREISY VALENZUELA 14SEP2021	MATERIAL		FINISH -	
TOLERANCES UNLESS OTHERWISE SPECIFIED:		CHK OSCAR ALVARADO 14SEP2021				
0 PLC ±-		APVD OSCAR ALVARADO 14SEP2021				
1 PLC ±		PRODUCT SPEC	NAME ADAPTER, ELECTRICAL CONNECTOR SHRINK BOOT, STRAIGHT			
2 PLC ±		APPLICATION SPEC	SIZE		CAGE CODE	DRAWING NO
3 PLC ±			A 4		53711	©=2400690-1
4 PLC ±			RESTRICTED TO			
ANGLES ±-		WEIGHT	-			
		CUSTOMER DRAWING		SCALE	SHEET	REV
				DRAWING	SCALE 26 OF 29	REV 1

REVISIONS					
P	LTR	DESCRIPTION	DATE	DWN	APVD
	-	SEE SHEET 1	-	-	-



NOTES: 1. FOR USE WITH MIL-C-28840, CLASS D, M28840/10, /11, /14, AND /16 CONNECTORS.

2. CONFIGURATION FOR BACKSHELL END SHOWN ABOVE. CONFIGURATION FOR CONNECTOR END SHOWN ON FIGURE 4 (T2).




TYPE II -- OPTIONAL EXTENDED ASSEMBLY
TWO PIECE ADAPTER SUPPLIED WHEN ENTRY
SIZE EXCEEDS CONNECTOR INSERT DIA.

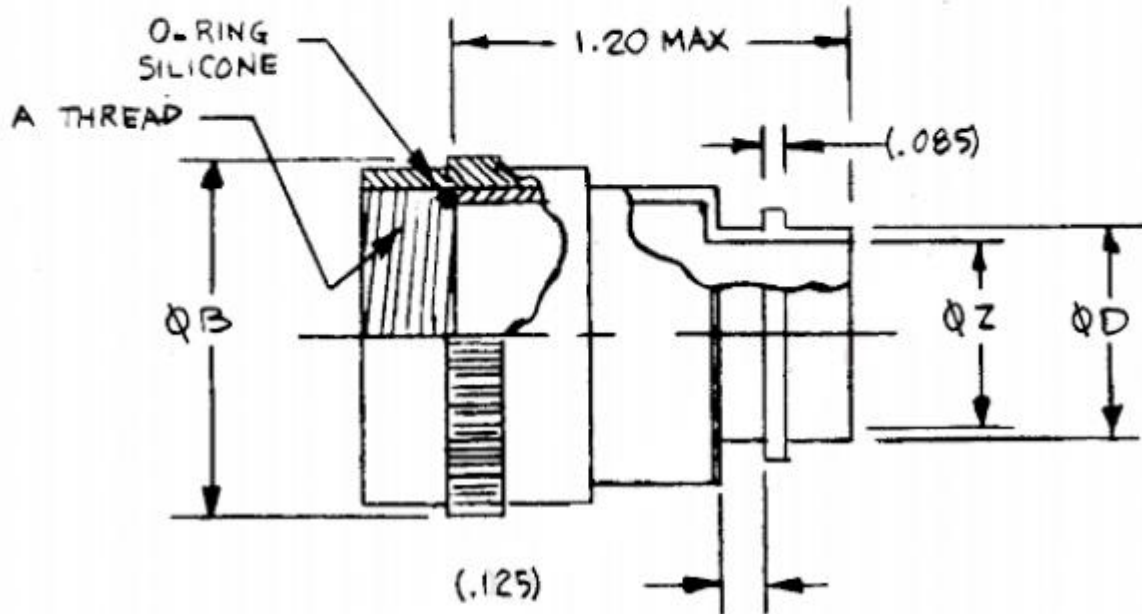
NOTE: FIGURE SHOWN ABOVE HAS SAME DIMENSIONS AS FIGURE 1,
EXCEPT WHERE NOTED

FIGURE 8.

© 2021 TE Connectivity. All Rights Reserved.

DIMENSIONS: in	DWN 14SEP2021 GREISY VALENZUELA	MATERIAL	FINISH	 TE Connectivity
	CHK 14SEP2021 OSCAR ALVARADO			
TOLERANCES UNLESS OTHERWISE SPECIFIED:	APVD 14SEP2021 OSCAR ALVARADO	NAME ADAPTER, ELECTRICAL CONNECTOR SHRINK BOOT, STRAIGHT		
	PRODUCT SPEC	SIZE	CAGE CODE	DRAWING NO
0 PLC ±-	APPLICATION SPEC	A 4	53711	©=2400690-1
1 PLC ±		RESTRICTED TO		
2 PLC ±	WEIGHT	-		
3 PLC ±		CUSTOMER DRAWING		
4 PLC ±		SCALE	SHEET	REV
ANGLES ±-		DRAWING	SCALE 27 OF 29	1

REVISIONS					
P	LTR	DESCRIPTION	DATE	DWN	APVD
	-	SEE SHEET 1	-	-	-


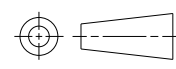


NOTE:

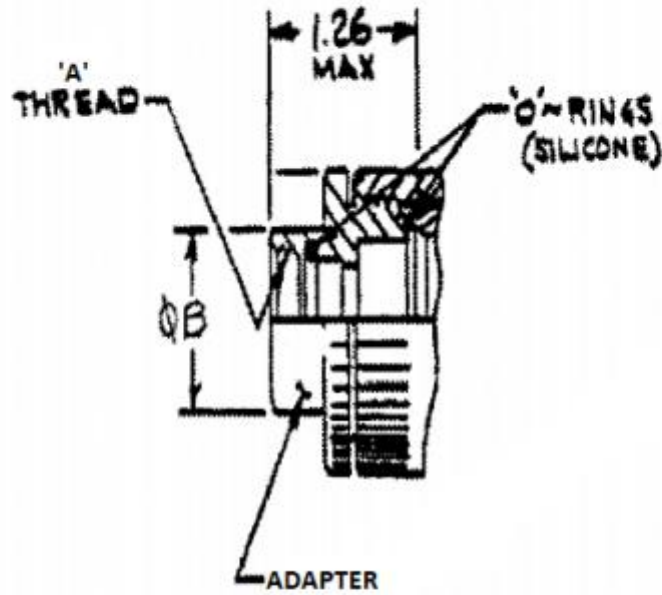
- FOR USE WITH MIL-C-26482, SERIES I CONNECTORS (MS3116, MS3126)

FIGURE 9.

© 2021 TE Connectivity. All Rights Reserved.

DIMENSIONS: in		DWN 14SEP2021 GREISY VALENZUELA	MATERIAL	FINISH -
TOLERANCES UNLESS OTHERWISE SPECIFIED:		CHK 14SEP2021 OSCAR ALVARADO		
0 PLC ± 1 PLC ± 2 PLC ± 3 PLC ± 4 PLC ± ANGLES ±-		APVD 14SEP2021 OSCAR ALVARADO		
		PRODUCT SPEC	NAME ADAPTER, ELECTRICAL CONNECTOR SHRINK BOOT, STRAIGHT	
		APPLICATION SPEC	SIZE A 4	CAGE CODE 53711
		WEIGHT -	DRAWING NO C=2400690-1	RESTRICTED TO -
		CUSTOMER DRAWING		SCALE DRAWING SCALE 28 OF 29
				REV 1

REVISIONS					
P	LTR	DESCRIPTION	DATE	DWN	APVD
	-	SEE SHEET 1	-	-	-



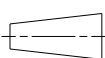


TYPE II—OPTIONAL EXTENDED ASSEMBLY TWO PIECE ADAPTER MAY BE SUPPLIED (MANUFACTURER'S OPTION) WHEN ENTRY SIZE EQUALS OR EXCEEDS CONNECTOR INSERT DIA.

NOTE: FIGURE SHOWN HAS SAME DIMENSIONS AS FIGURE 1, EXCEPT WHERE NOTED.

FIGURE 7(T2)

© 2021 TE Connectivity. All Rights Reserved.

DIMENSIONS: in	DWN GREISY VALENZUELA	14SEP2021	MATERIAL	FINISH	-
	CHK OSCAR ALVARADO	14SEP2021			
TOLERANCES UNLESS OTHERWISE SPECIFIED:	APVD OSCAR ALVARADO	14SEP2021			
0 PLC ±-	PRODUCT SPEC	-	NAME ADAPTER, ELECTRICAL CONNECTOR SHRINK BOOT, STRAIGHT		
1 PLC ±	APPLICATION SPEC	-	SIZE	CAGE CODE	DRAWING NO
2 PLC ±			A 4	53711	C=2400690-1
3 PLC ±			RESTRICTED TO		
4 PLC ±			-		
ANGLES ±-	WEIGHT	-	SCALE		
	CUSTOMER DRAWING		DRAWING SCALE		29 OF 29
					REV 1