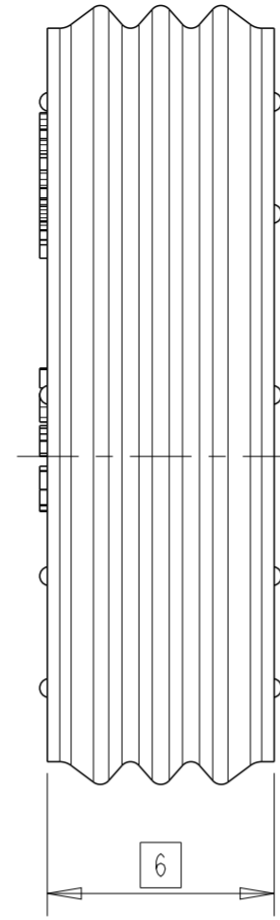
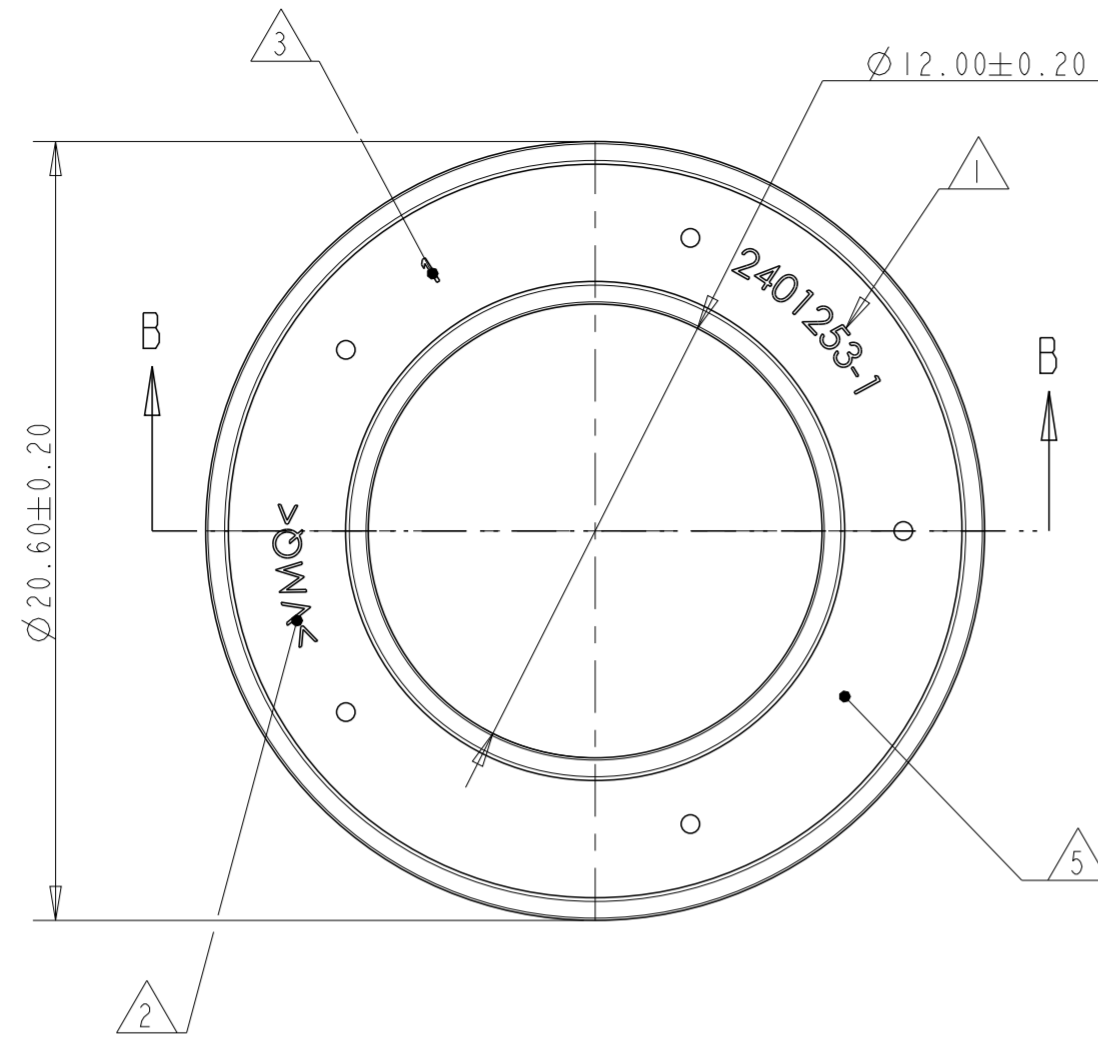
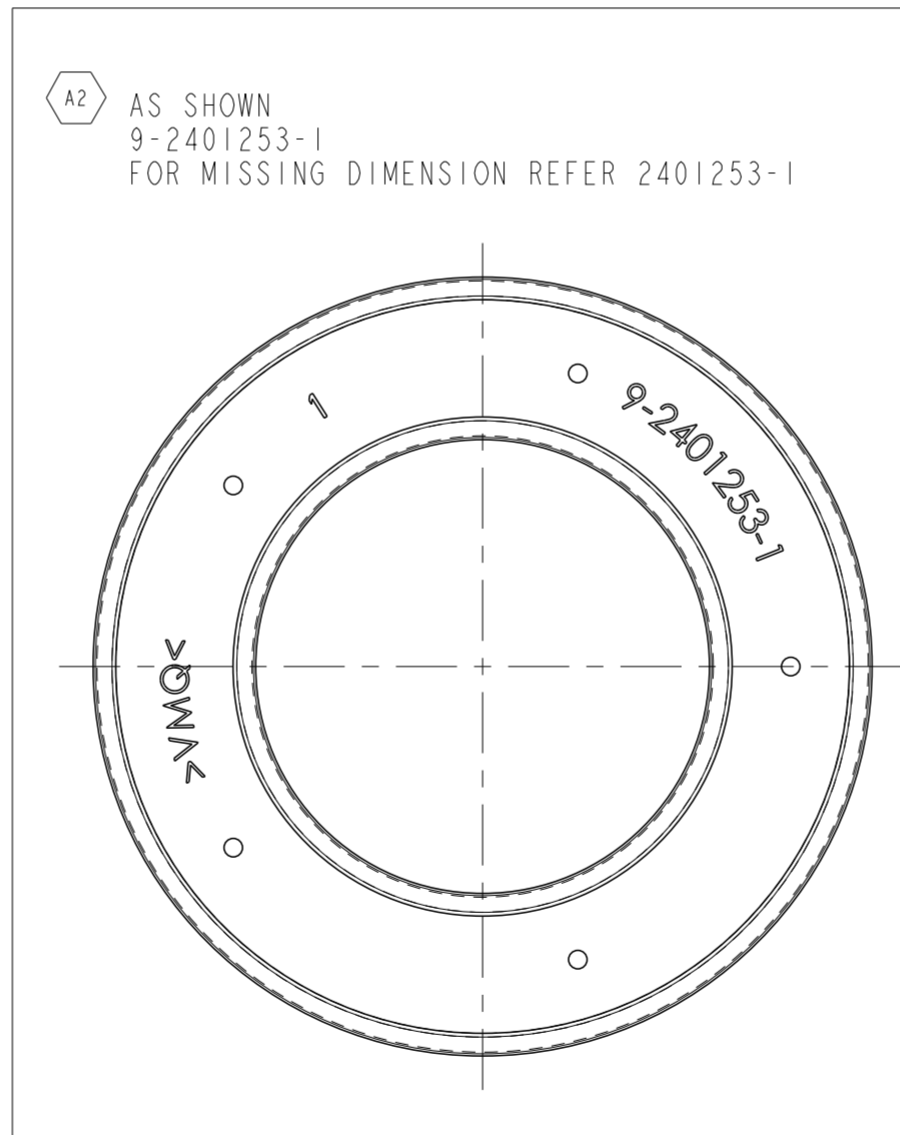
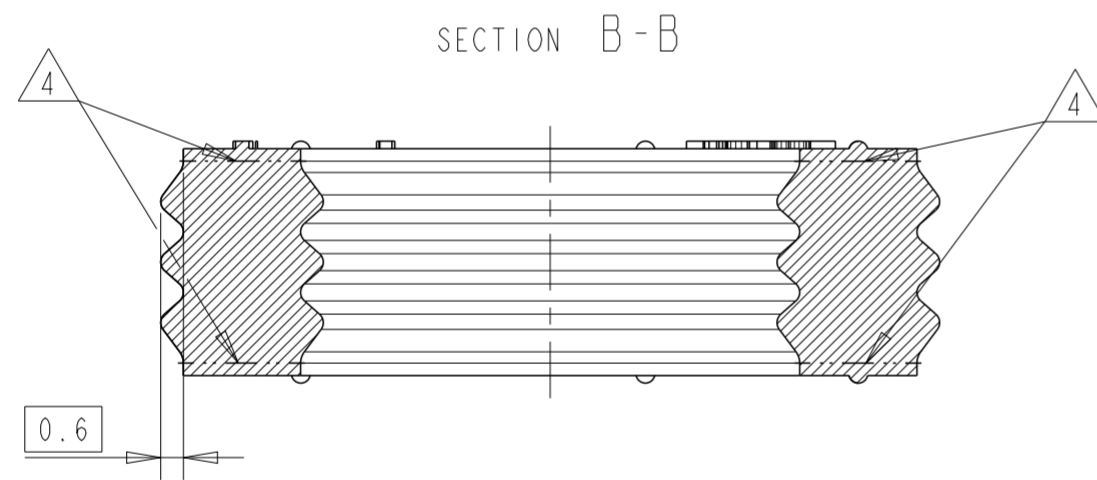


P	LTR	DESCRIPTION	DATE	DWN	APVD
A1		INITIAL RELEASE	14FEB2022	SS	KPB
A2		DRAWING UPDATED AS PER SUPPLIER DRAWING	13JUN2022	SS	KPB



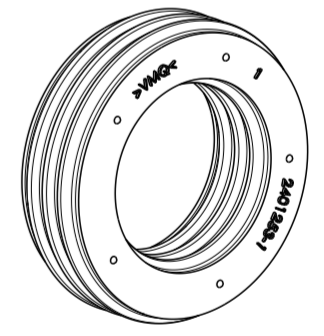
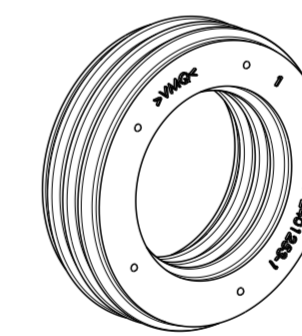
NOTES

- 1 TE-SINGLE PART NUMBER.
- 2 MATERIAL MARKING.
- 3 CAVITY MARKING IF MULTIPLE CAVITY TOOL
- 4 PARTING LINE
- 5 REVISION MARKINGS (A=NO DOT, B=1 DOT, ETC) TO APPEAR IN THIS LOCATION.
- 6 USE WIRE INSULATION O.D. RANGE OF 14.5mm TO 15.1mm.
- 7 PART DIMENSIONS SHOWN ARE IN PART'S FREE STATE CONDITION.
- 8 BULK PACKAGING IN PLASTIC BAG OR AS PER SPEC V2401253.



A2 AS SHOWN 9-2401253-1 SCALE 2:1

AS SHOWN 2401253-1 SCALE 2:1



COLOR	MATERIAL	WEIGHT(g)	DESCRIPTION	REV	TE PART NO
GREEN	INHERENTLY LUBRICATED SILICONE SHORE HARDNESS 40±5	1.24	SINGLE WIRE SEAL, AC	A	9-2401253-1
GREEN	INHERENTLY LUBRICATED SILICONE SHORE HARDNESS 40±5	1.24	SINGLE WIRE SEAL, AC	A	2401253-1

THIS DRAWING IS A CONTROLLED DOCUMENT.		DWN SUPRIYA S 10DEC2021			
DIMENSIONS: mm		CHK AMRUTHA C H 10DEC2021			
TOLERANCES UNLESS OTHERWISE SPECIFIED:		APVD KASHYAP P B 10DEC2021	NAME SINGLE WIRE SEAL, AC		
0 PLC ±0.5		PRODUCT SPEC	SIZE	CAGE CODE	DRAWING NO
1 PLC ±0.13		APPLICATION SPEC	A2	00779	C-2401253
2 PLC ±0.13		WEIGHT	SCALE	SHEET	OF
3 PLC ±0.013		CUSTOMER DRAWING	5:1	1	1
4 PLC ±0.001					REV A2
ANGLES ±					
FINISH					