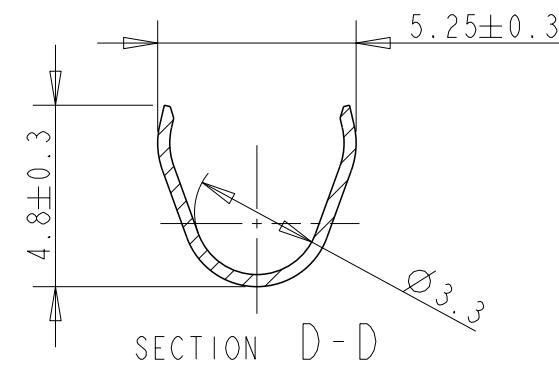
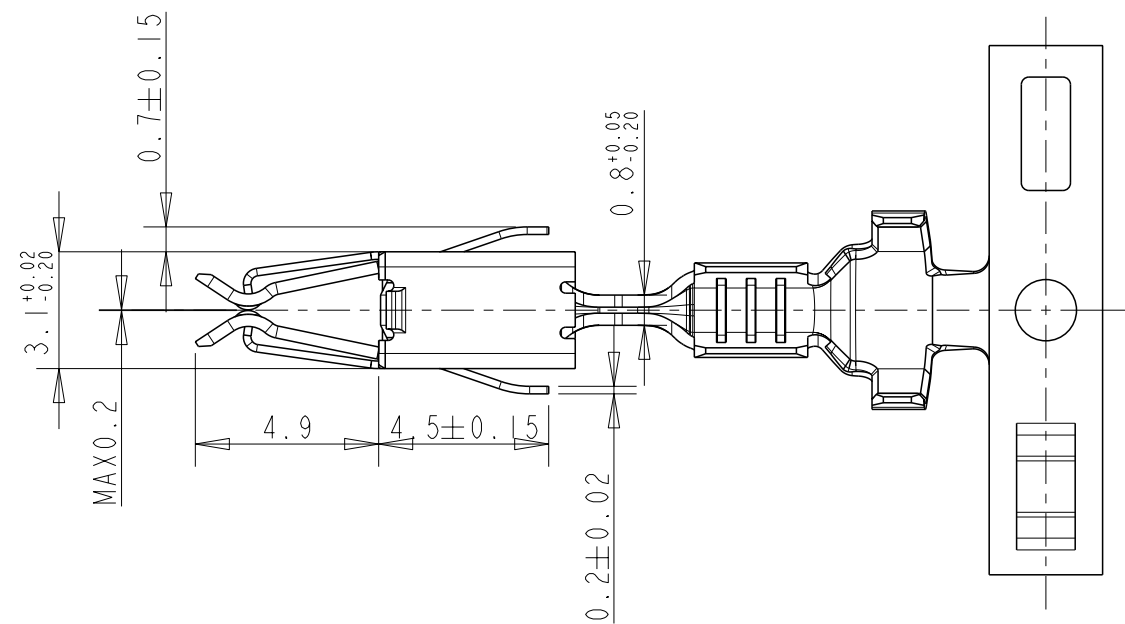
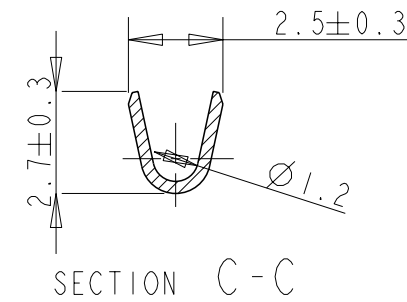
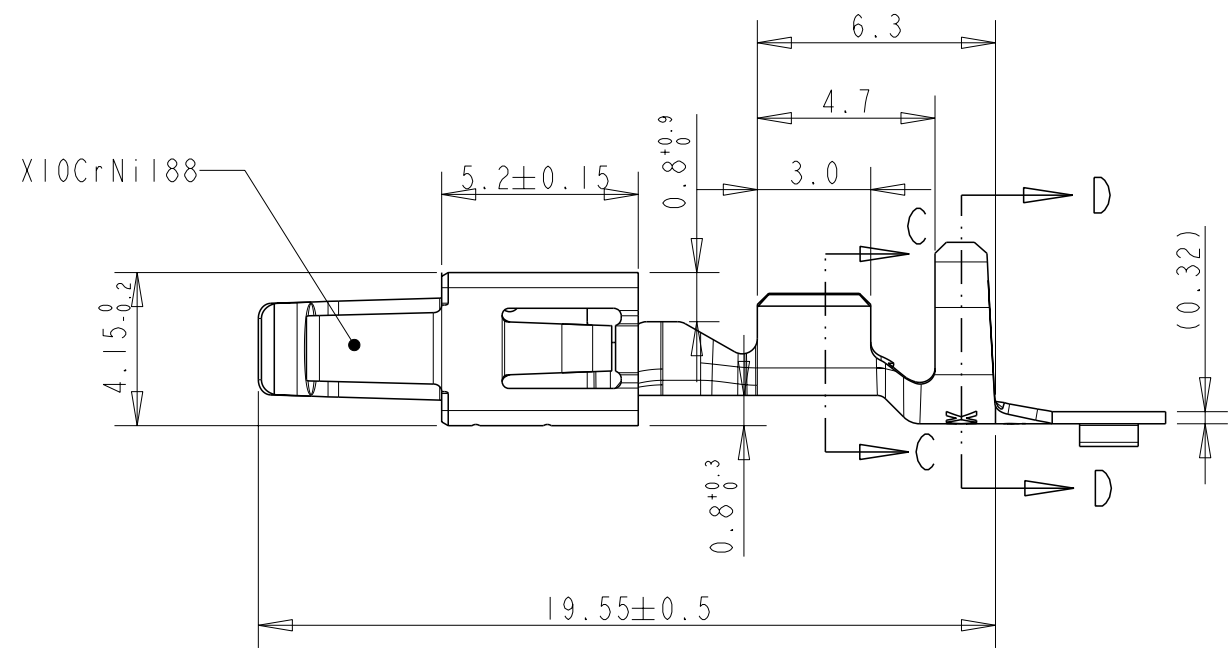


REVISIONS

P	LTR	DESCRIPTION	DATE	DWN	APVD
	A	INITIAL RELEASE	19OCT2021		



1.4-2.7	0.5-1.0	SELECTIVE GOLD PLATED	CuSn4	A	2401729-1
INSULATION DIA(mm)	WIRE RANGE(mm ²)	FINISH	MATERIAL	REV	P/N

THIS DRAWING IS A CONTROLLED DOCUMENT.		DWN J. ZHANG 19-Oct-21			
DIMENSIONS: mm		CHK W. ZHANG 19-Oct-21			
TOLERANCES UNLESS OTHERWISE SPECIFIED:		APVD W. ZHANG 19-Oct-21	NAME Junior-Power-Timer Type A Contact		
		PRODUCT SPEC 108-18013	SIZE A3		
MATERIAL -		APPLICATION SPEC 114-18050	CAGE CODE 00779	DRAWING NO C-2401729	RESTRICTED TO -
FINISH -		WEIGHT -	SCALE 5:1		
		CUSTOMER DRAWING		SHEET 1 OF 1	REV A

printed on 19 Oct 2021 09:56 (China Standard Time) from TE461322