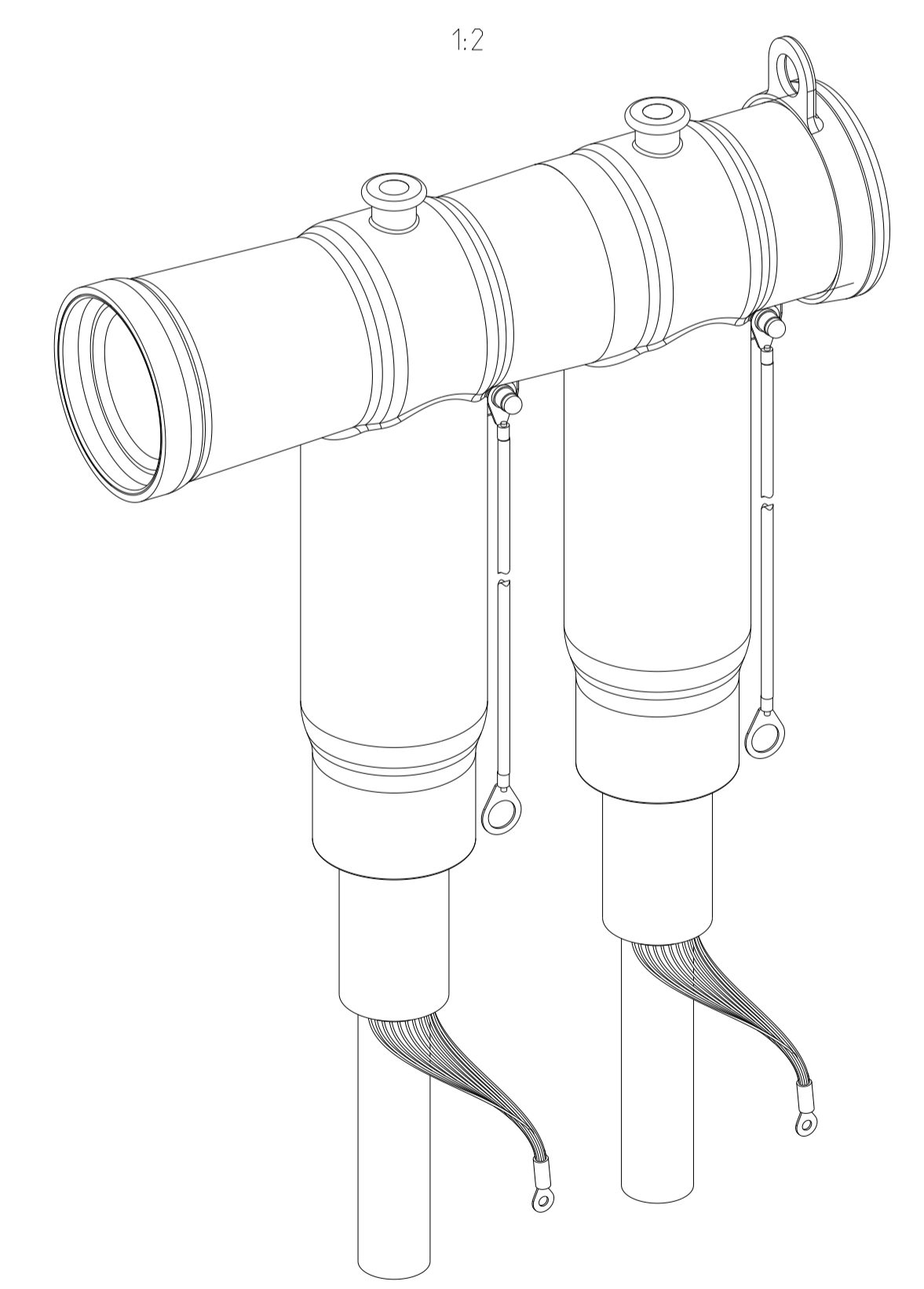
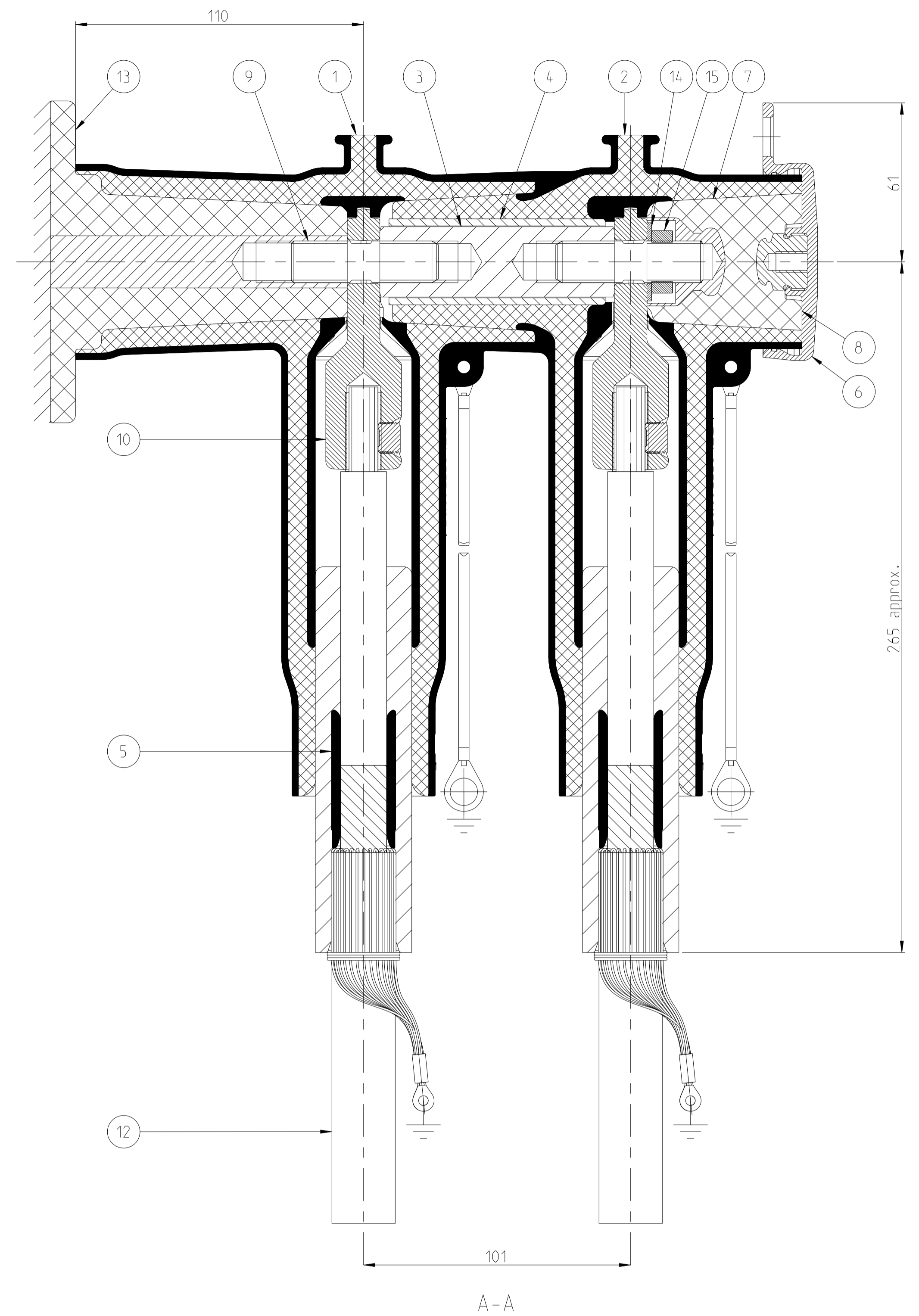
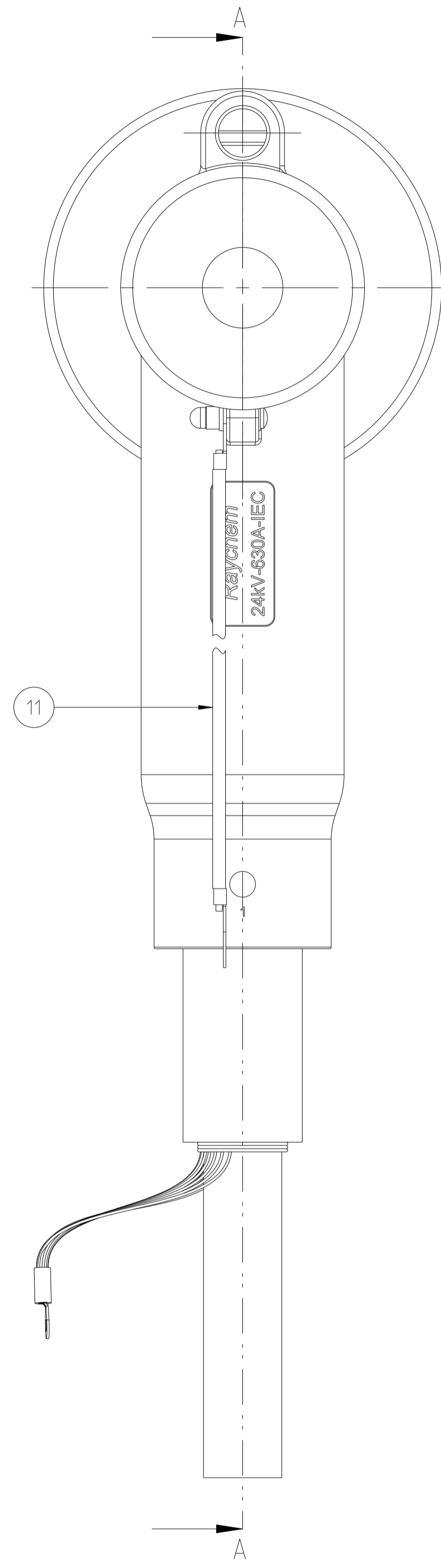
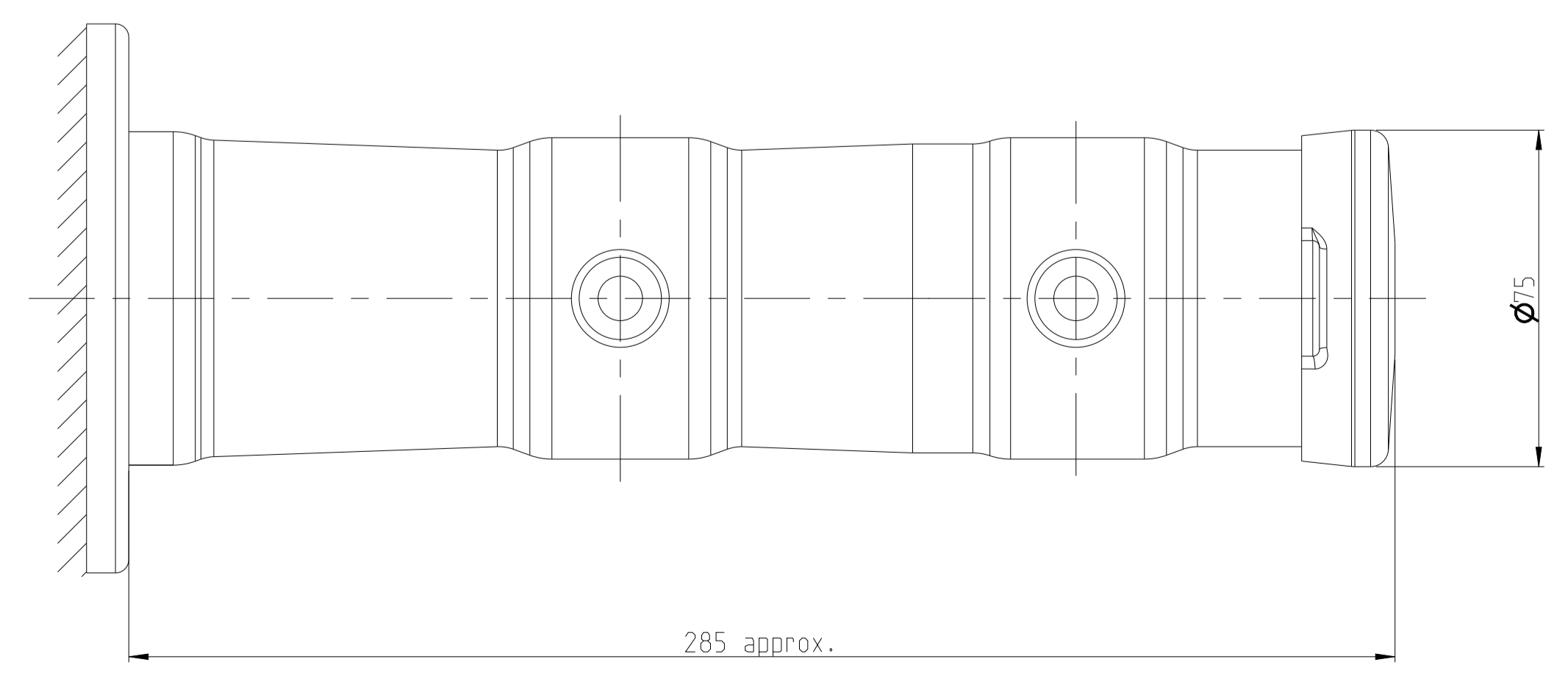


REVISIONS				
P.	L.T.M.	DESCRIPTION	DATE	APVD



ITEM	QTY	DESCRIPTION
1	1	24KV 630A ASYMMETRICAL BT BODY
2	1	24KV 630A ASYMMETRICAL CT BODY
3	1	CONNECTING ROD 24KV 630A ASYMMETRICAL CT BODY
4	1	METAL TUBE 24KV 630A ASYMMETRICAL CT BODY
5	2	24kv 630A STRESS CONTROL ADAPTER
6	1	COVERING CAP FOR 630A CONNECTER
7	1	BACKPLUG M16
8	1	TEST POINT
9	2	M16-STUD BOLT 24KV 630A CONNECTOR
10	2	BLMC-95/300-16-630A
11	2	EARTHING EYE AND GROUND LEAD
12	2	CABLE ASSEMBLY
13	1	24kv 630A TYPE C EPOXY BUSHING
14	1	M16 WASHER
15	1	M16 NUT



THIS DRAWING IS A CONTROLLED DOCUMENT.

DIMENSIONS:	TOLERANCES UNLESS OTHERWISE SPECIFIED:	OWN: B. JOEL	110C T2021	
mm	0 PLC 1 PLC 2 PLC 3 PLC 4 PLC ANGLES	CHK: J. QIN	120C T2021	
MATERIAL:	FINISH:	APVD: F. ZHANG	120C T2021	NAME: 24kv EPDM 630A BT+CT
		APPLICATION SPEC:	SIZE: A	CAGE CODE: 00779
		WEIGHT:	SCALE: 4:5	SHEET: 1 OF 1
		CUSTOMER DRAWING:	REV: 1	