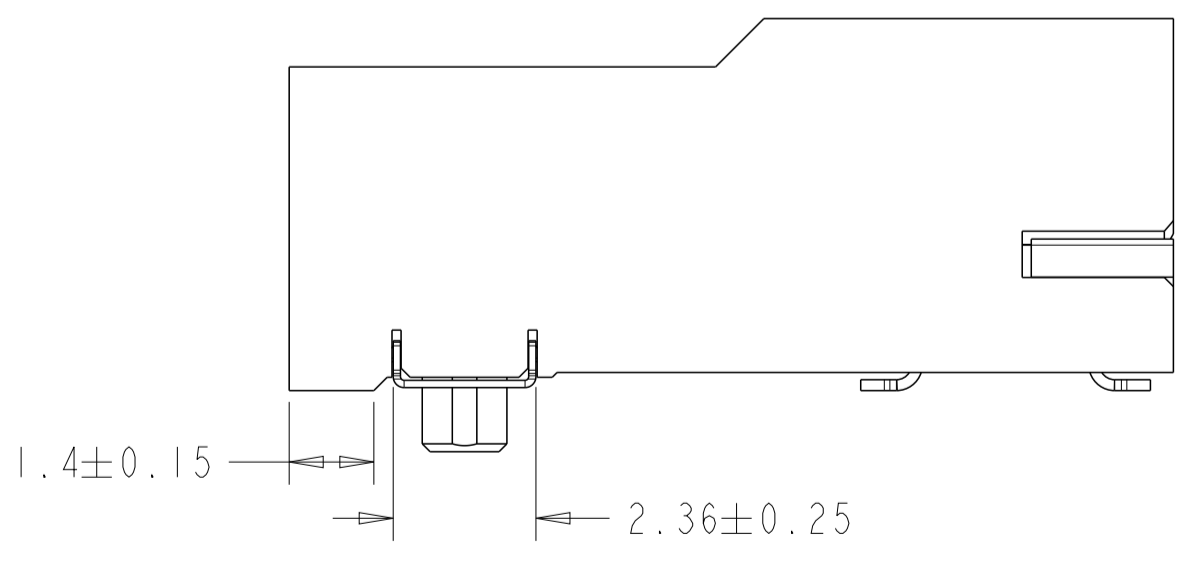
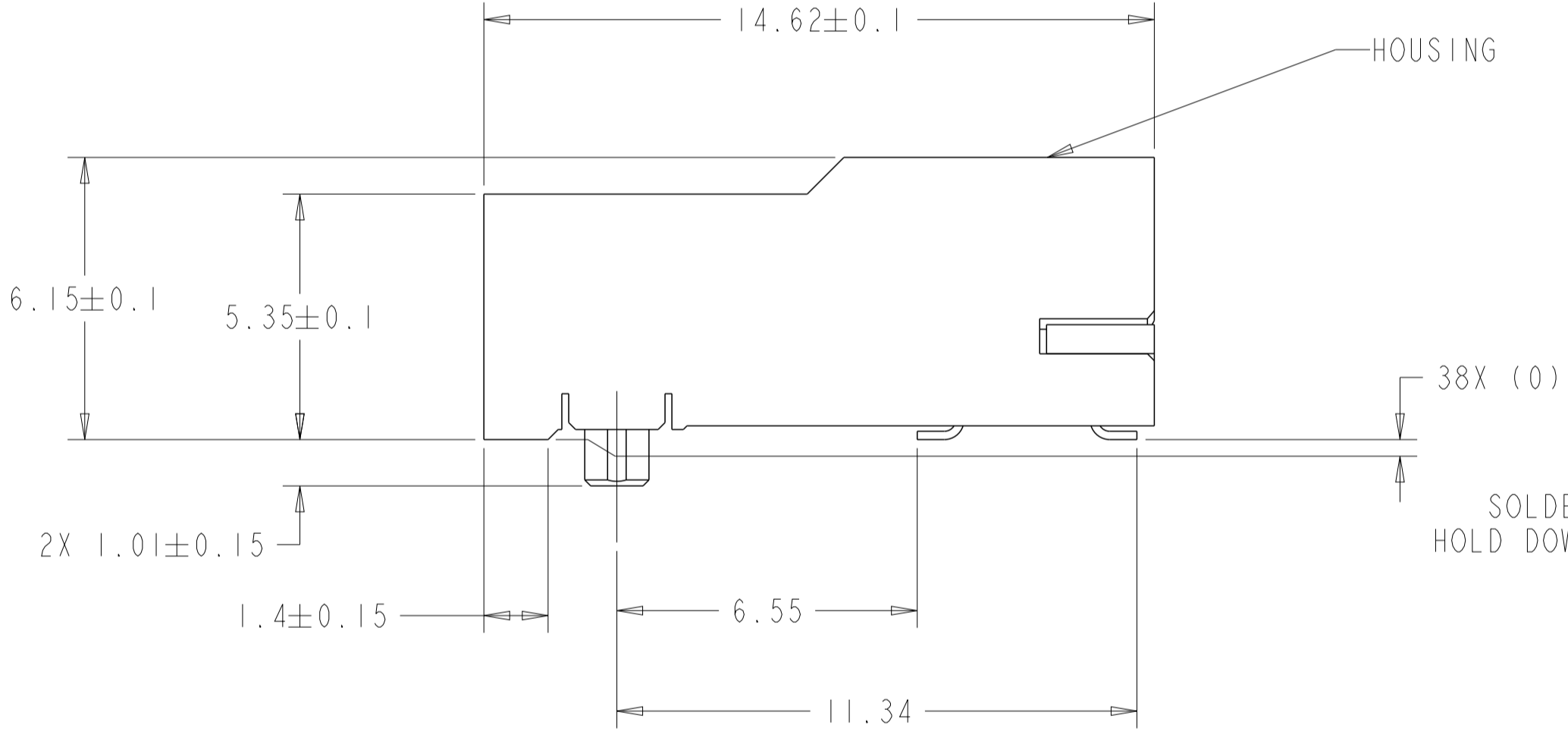
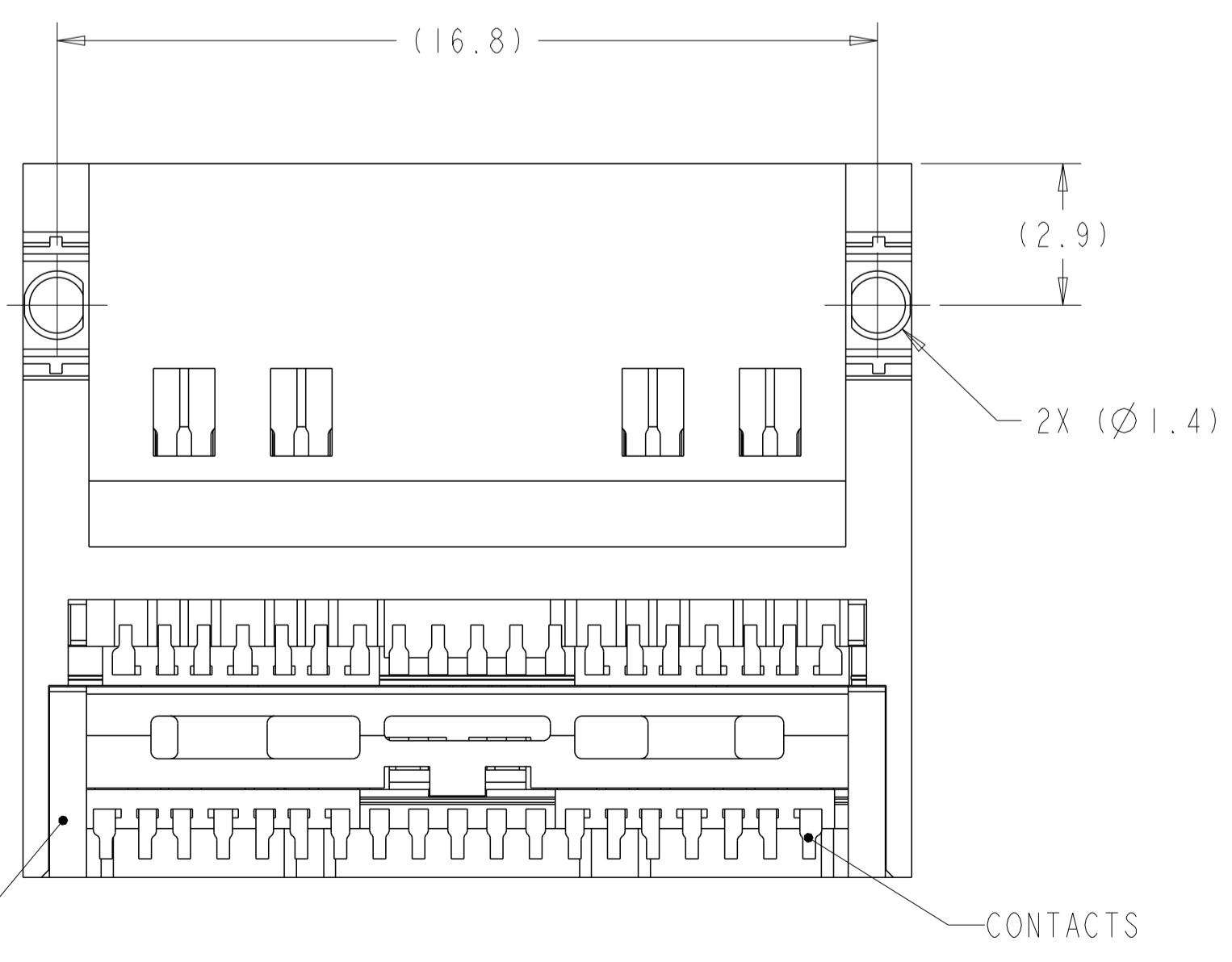
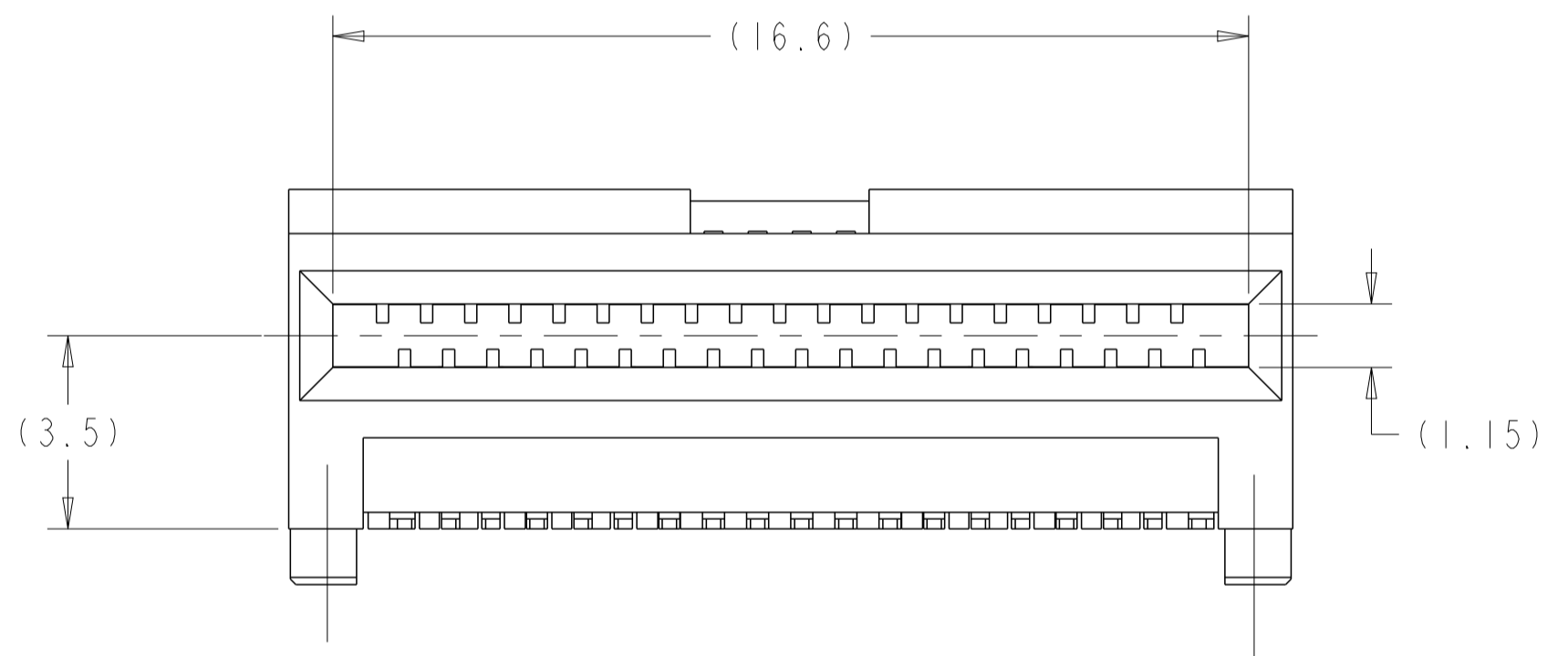
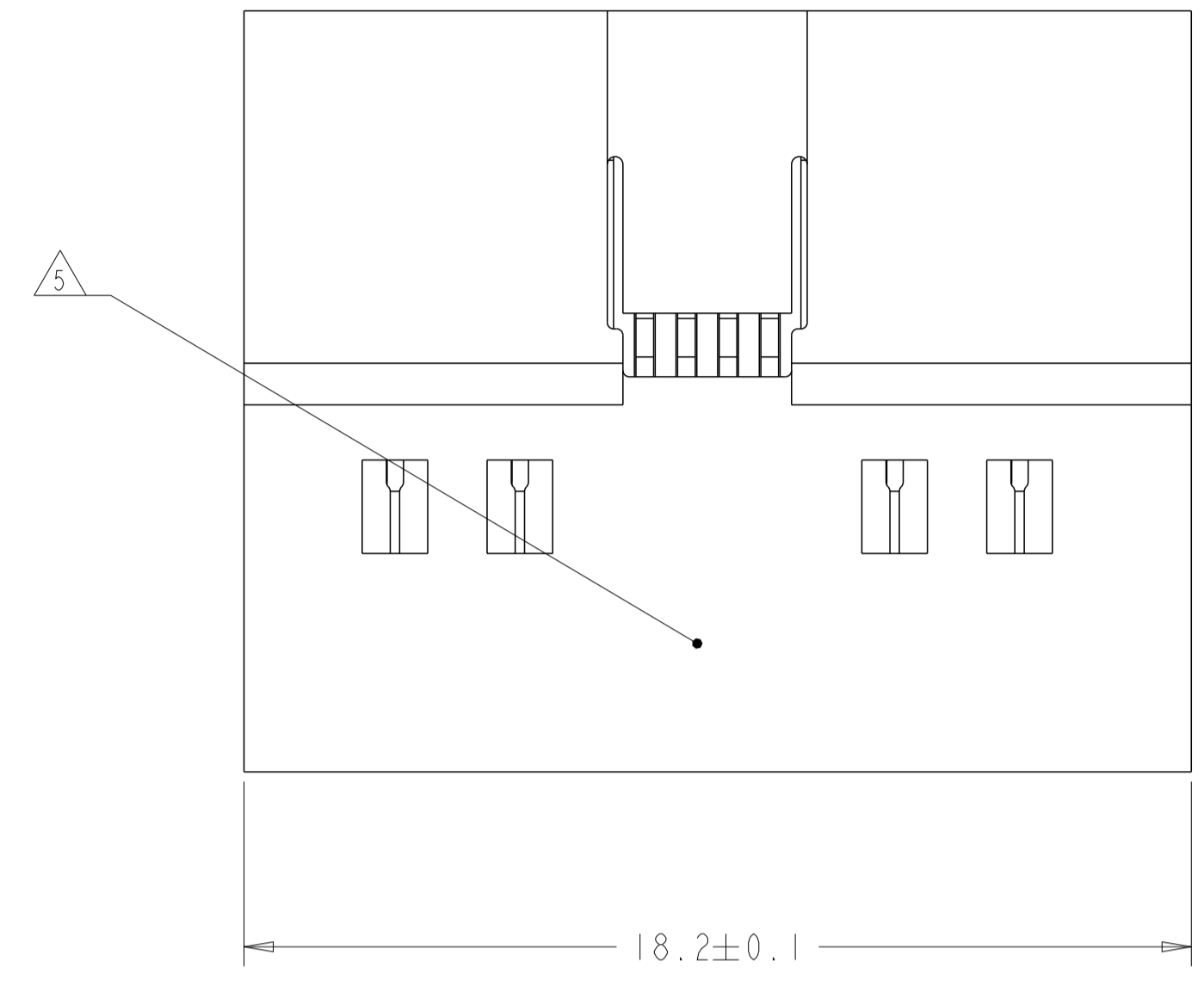
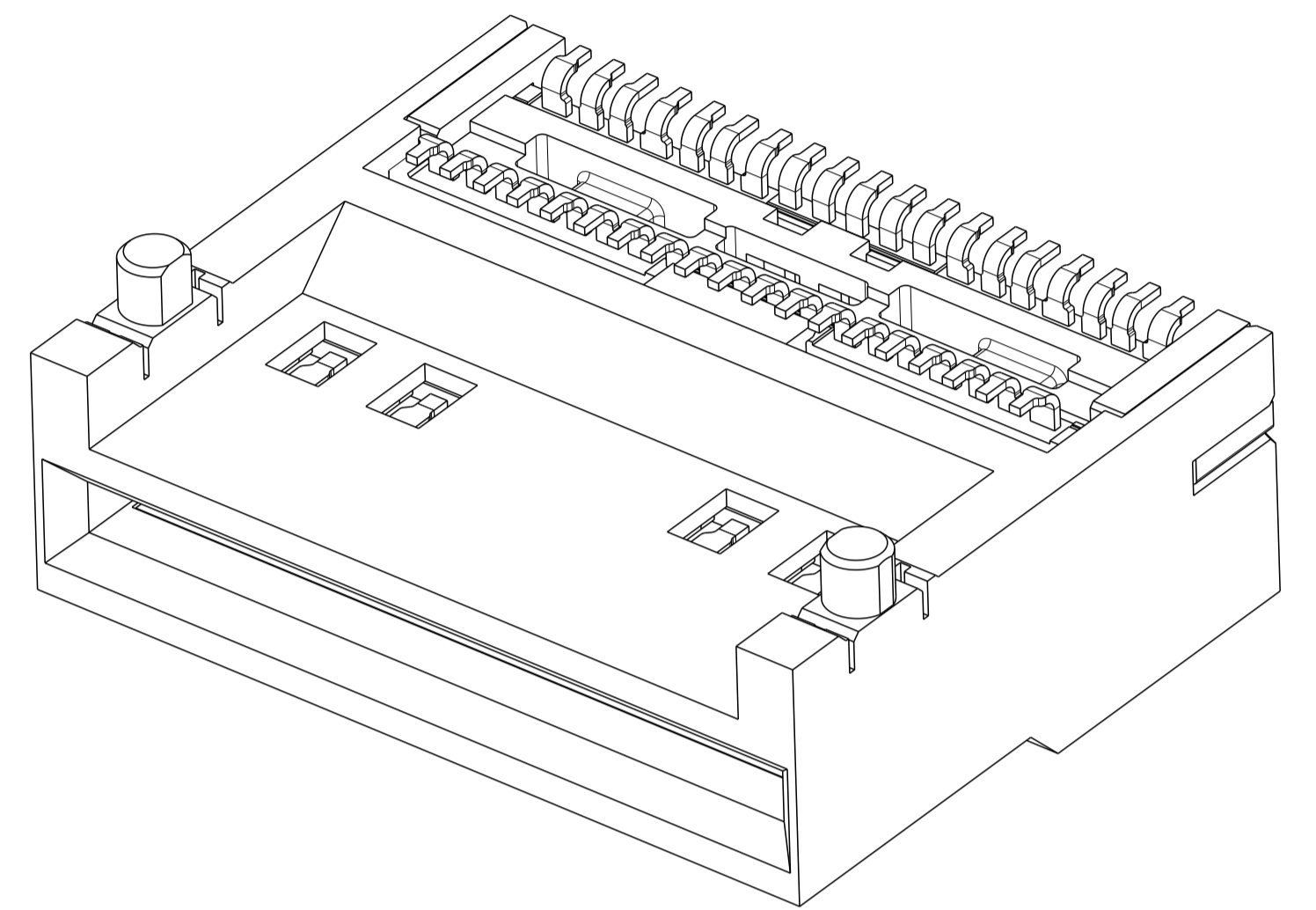


REVISIONS				
P	LTN	DESCRIPTION	DATE	APVD
A		INITIAL RELEASED	12DEC2023	RY SZ

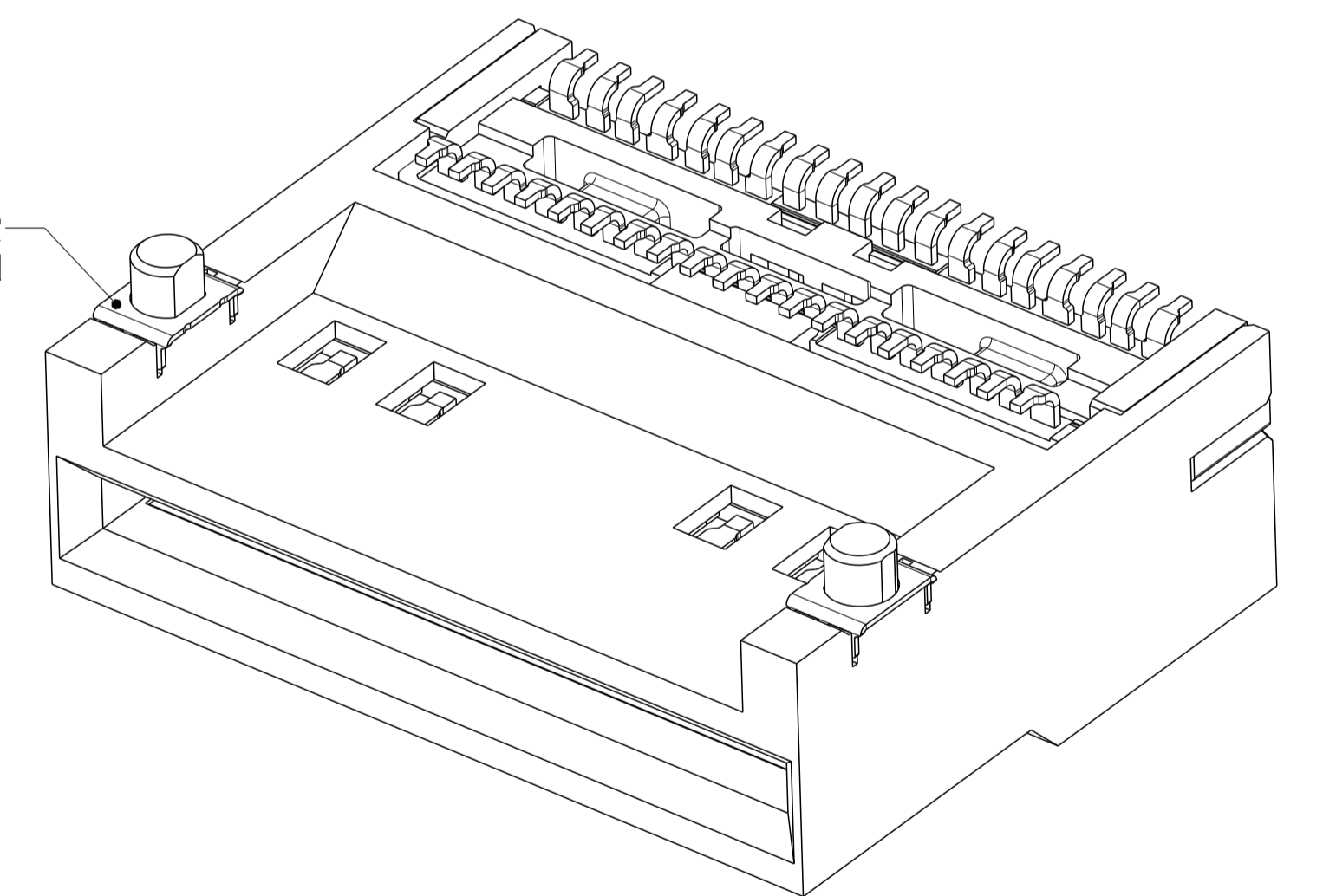
- ① HOUSING, OVERMOLDS, ORGANIZER MATERIAL: GLASS FILLED LCP (BLACK).
CONTACT MATERIAL: COPPER ALLOY.
- ② CONTACT MATING FINISH: GOLD FINISH
- ③ CONTACT MATING FINISH: GOLD OVER PALLADIUM NICKEL.
- ④ DATUMS AND BASIC DIMENSIONS DETERMINED BY CUSTOMER.
- ⑤ DATE CODE LASER MARKED APPROXIMATELY WHERE SHOWN.



RIGHT VIEW FOR 2401838-2 AND -4



2401838-1 AND -3
SCALE 8:1



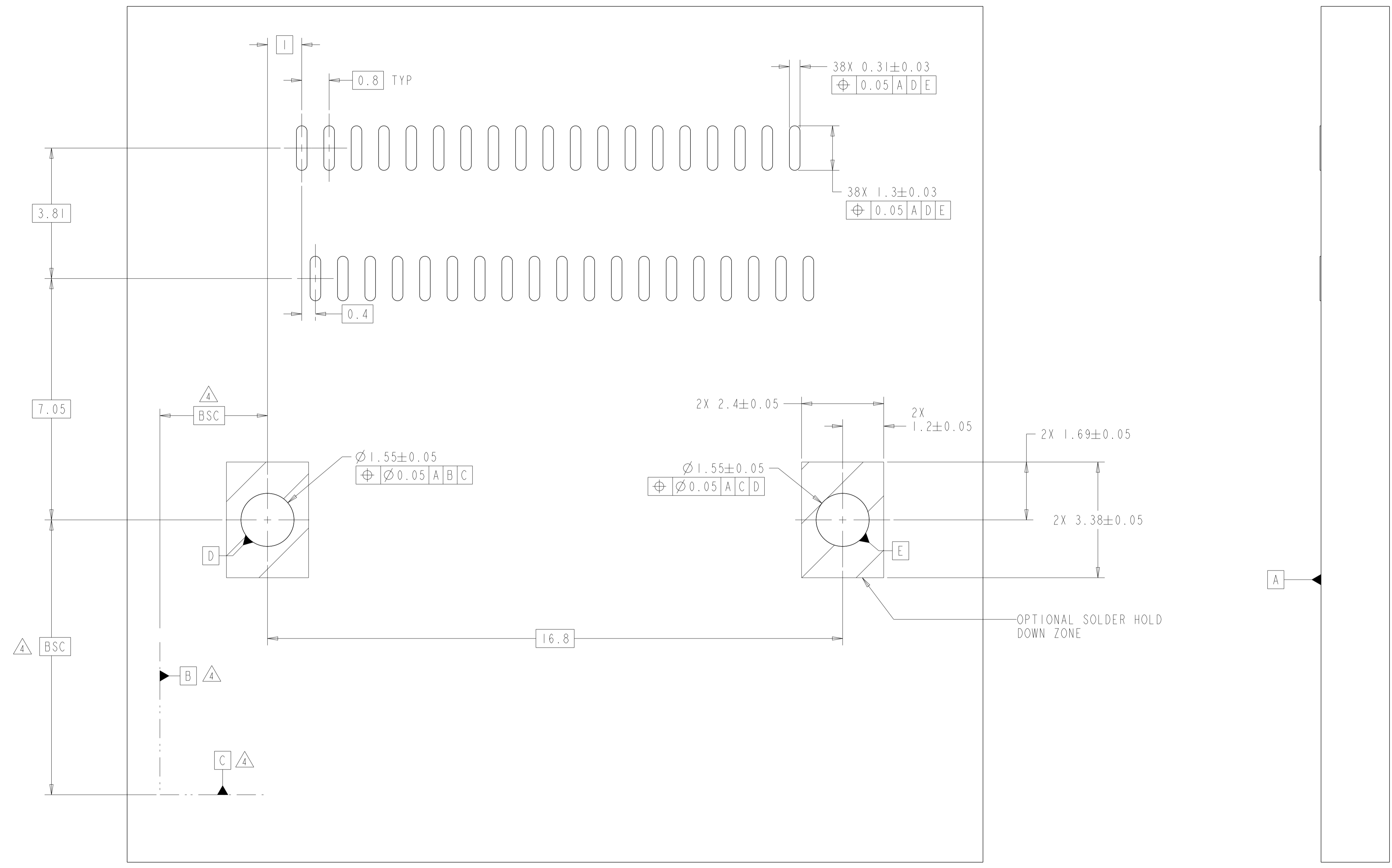
2401838-2 AND -4
SCALE 8:1

③	YES	2401838-4
	NO	2401838-3
②	YES	2401838-2
	NO	2401838-1
CONTACT FINISH	SOLDER HOLD DOWN	PART NUMBER

THIS DRAWING IS A CONTROLLED DOCUMENT.		OWN: SEAN ZHANG	14OCT2021	DWN: SEAN ZHANG		14OCT2021
DIMENSIONS: mm		TOLERANCES UNLESS OTHERWISE SPECIFIED:		APVD: SUNYI ZHAO		14OCT2021
0 PLC ±0.2		1 PLC ±0.2		PRODUCT SPEC		
2 PLC ±0.2		3 PLC ±0.2		APPLICATION SPEC		
4 PLC ±0.2		ANGLES ±°		MATERIAL		
FINISH		SEE TABLE		WEIGHT		
①		CUSTOMER DRAWING		SCALE		8:1
SHEET 1 OF 2		REV A		RESTRICTED TO		

NAME: QSFP112 RECEPTACLE ASSEMBLY JL VERSION
 SIZE: A1 | CAGE CODE: 00779 | DRAWING NO: 2401838
 CUSTOMER DRAWING

REVISIONS				
P.	LTN	DESCRIPTION	DATE	APVD
-	-	SEE SHEET 1	-	-



THIS DRAWING IS A CONTROLLED DOCUMENT.		DWN: SEAN_ZHANG 14OCT2021 CHK:	
DIMENSIONS: mm	TOLERANCES UNLESS OTHERWISE SPECIFIED: 0 PLC ±0.2 1 PLC ±0.2 2 PLC ±0.2 3 PLC ±0.2 4 PLC ± ANGLES ±°	APVD: SUNY_ZHAO 14OCT2021 PRODUCT SPEC APPLICATION SPEC	
MATERIAL:	FINISH: SEE TABLE	WEIGHT: -	RESTRICTED TO: -
CUSTOMER DRAWING			