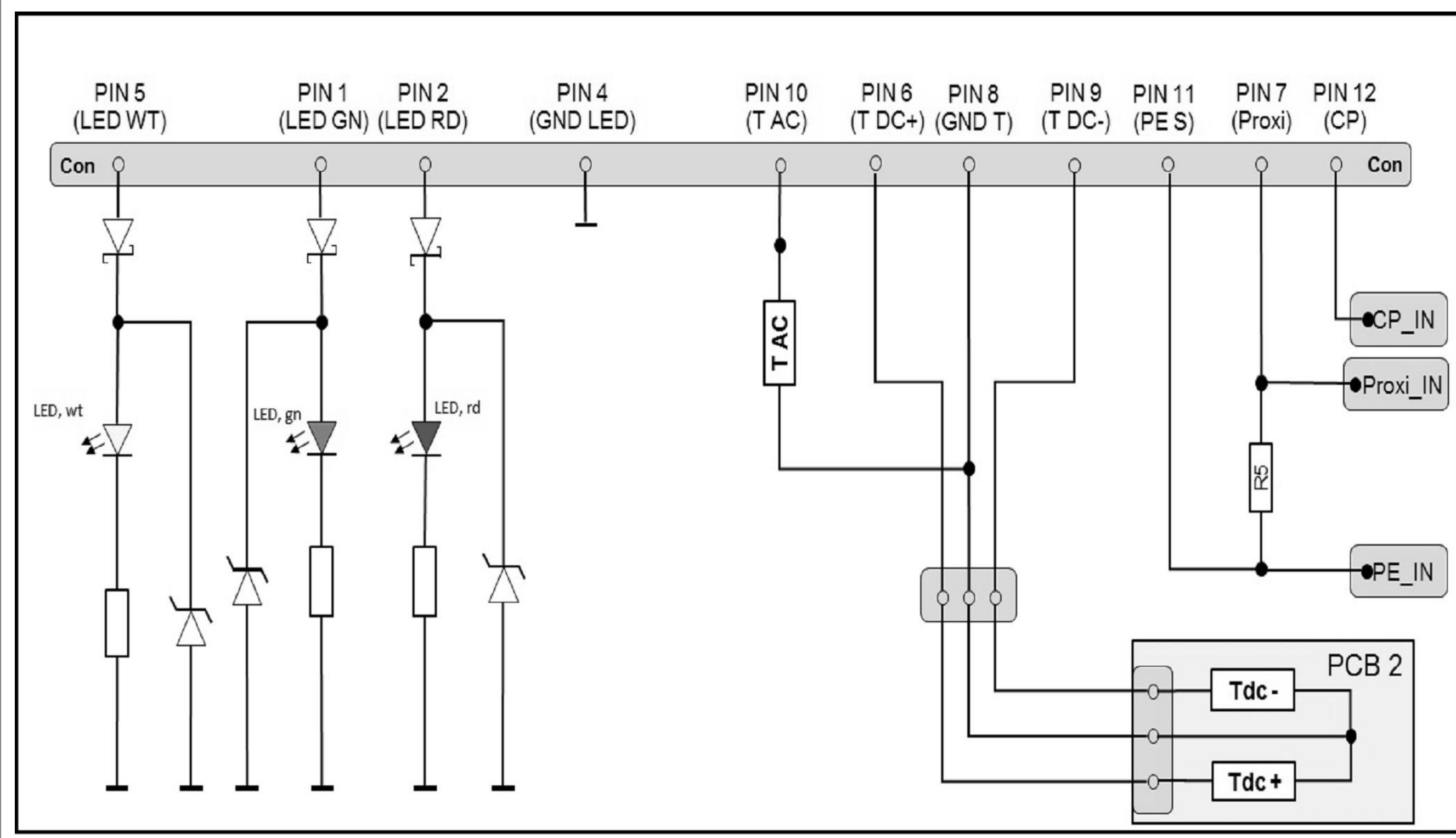
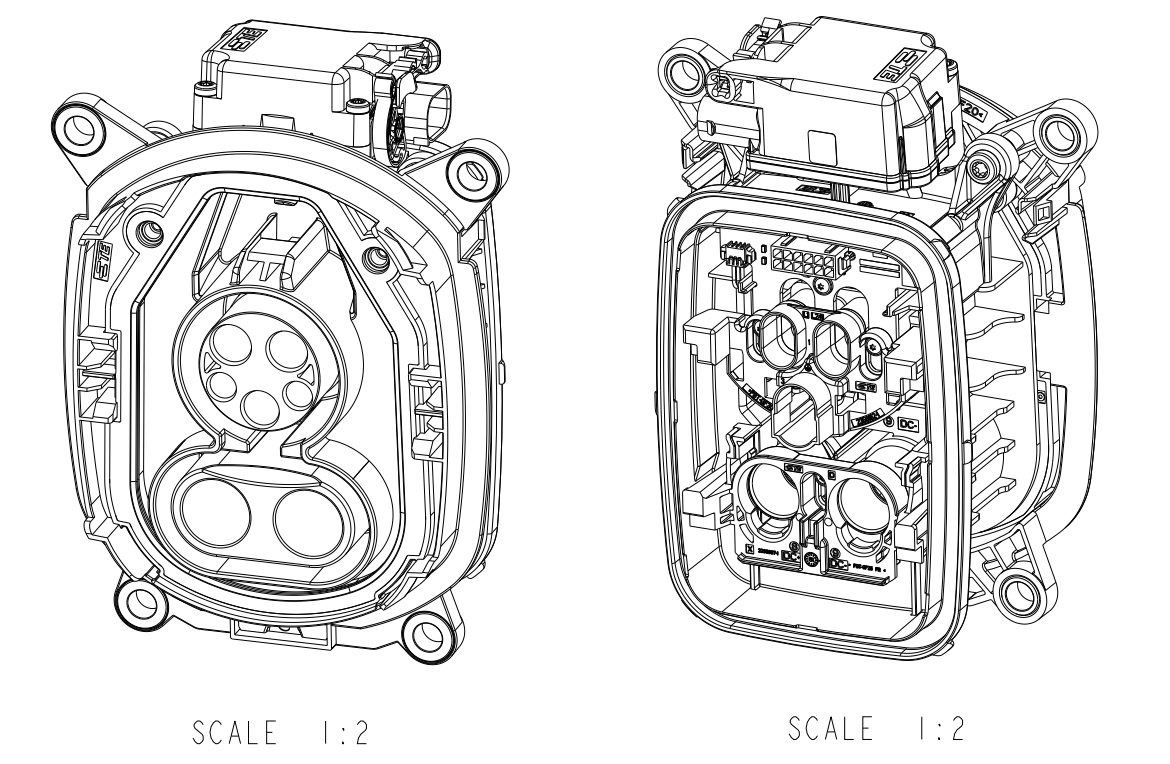
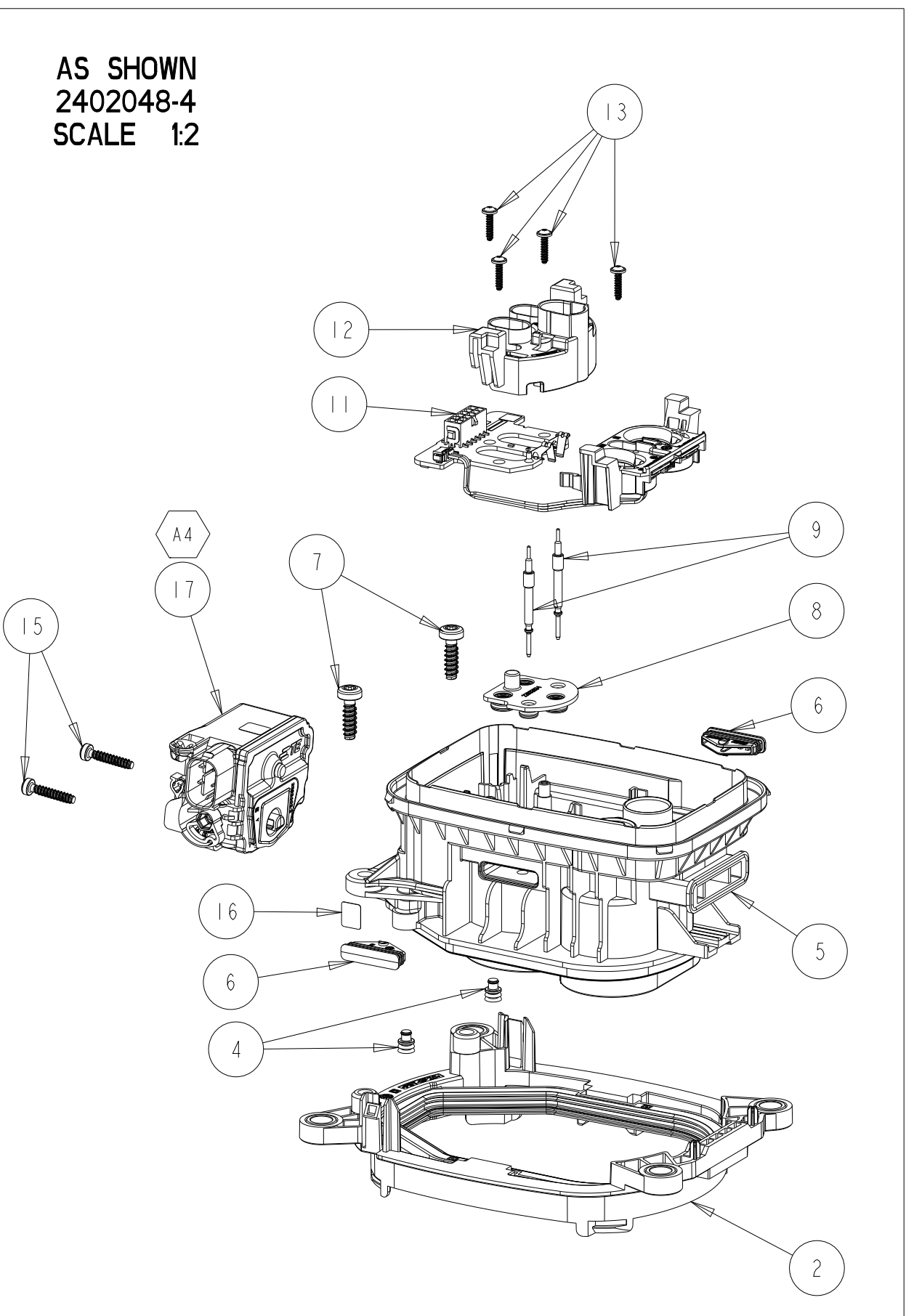
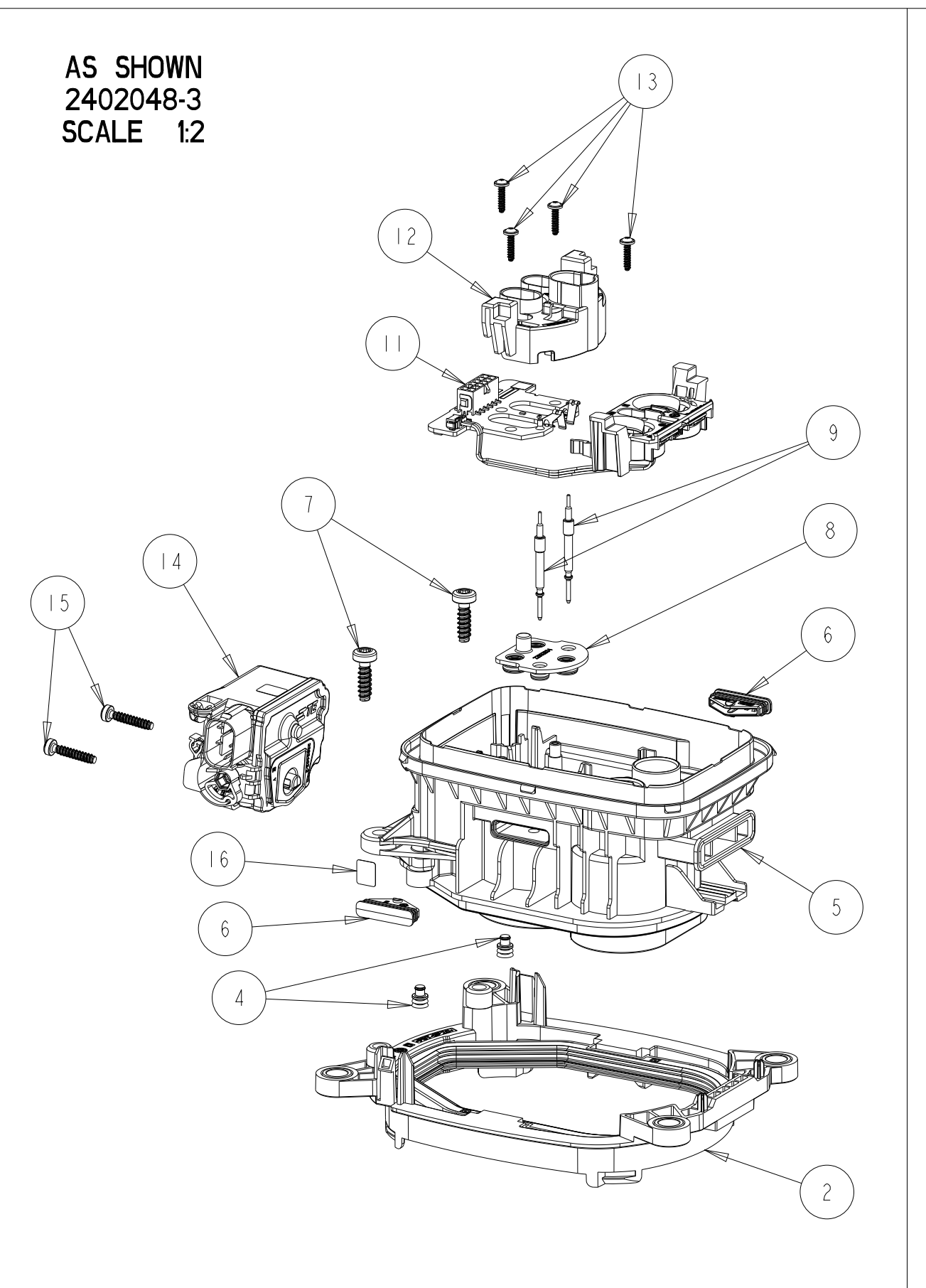
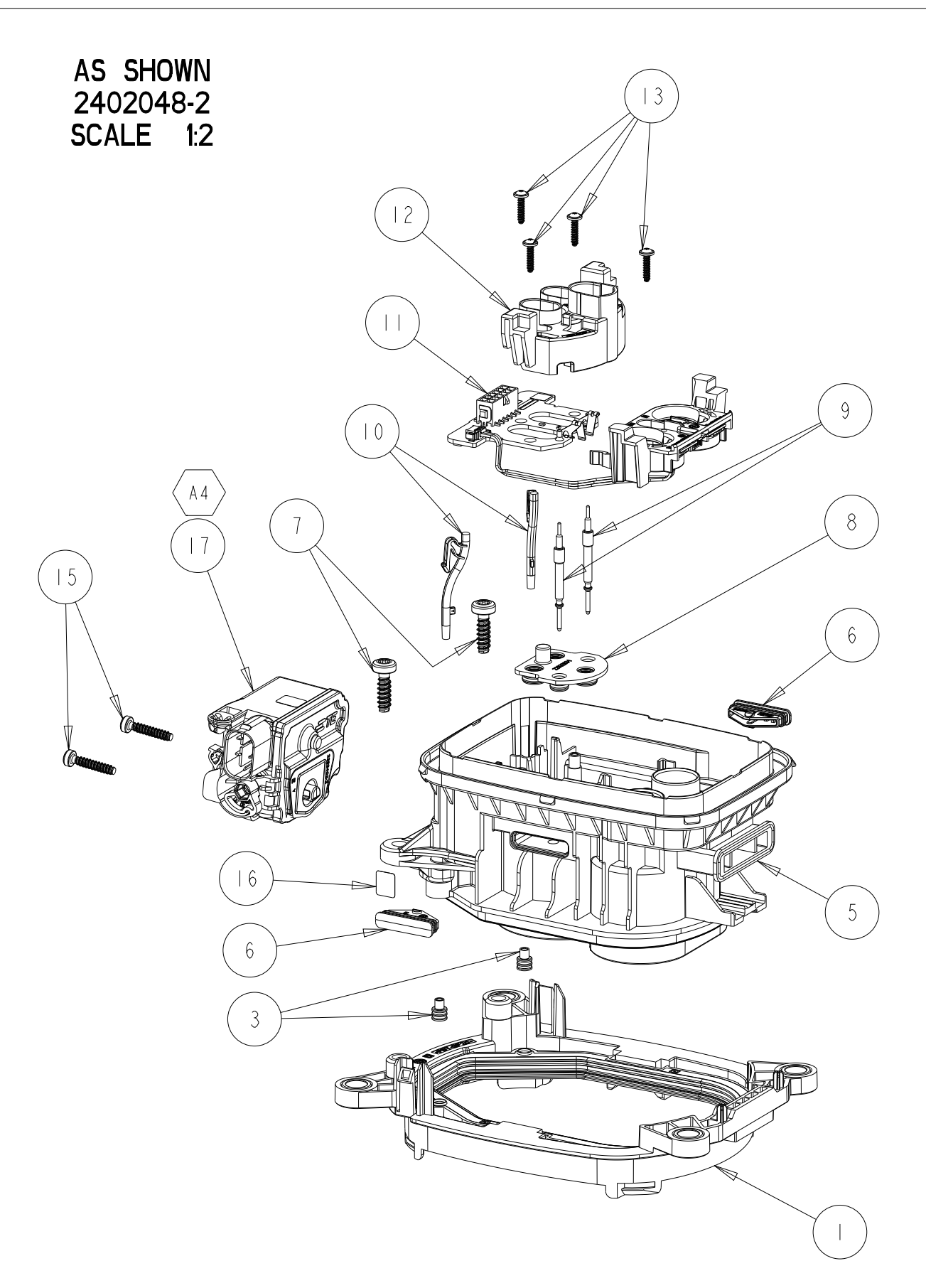
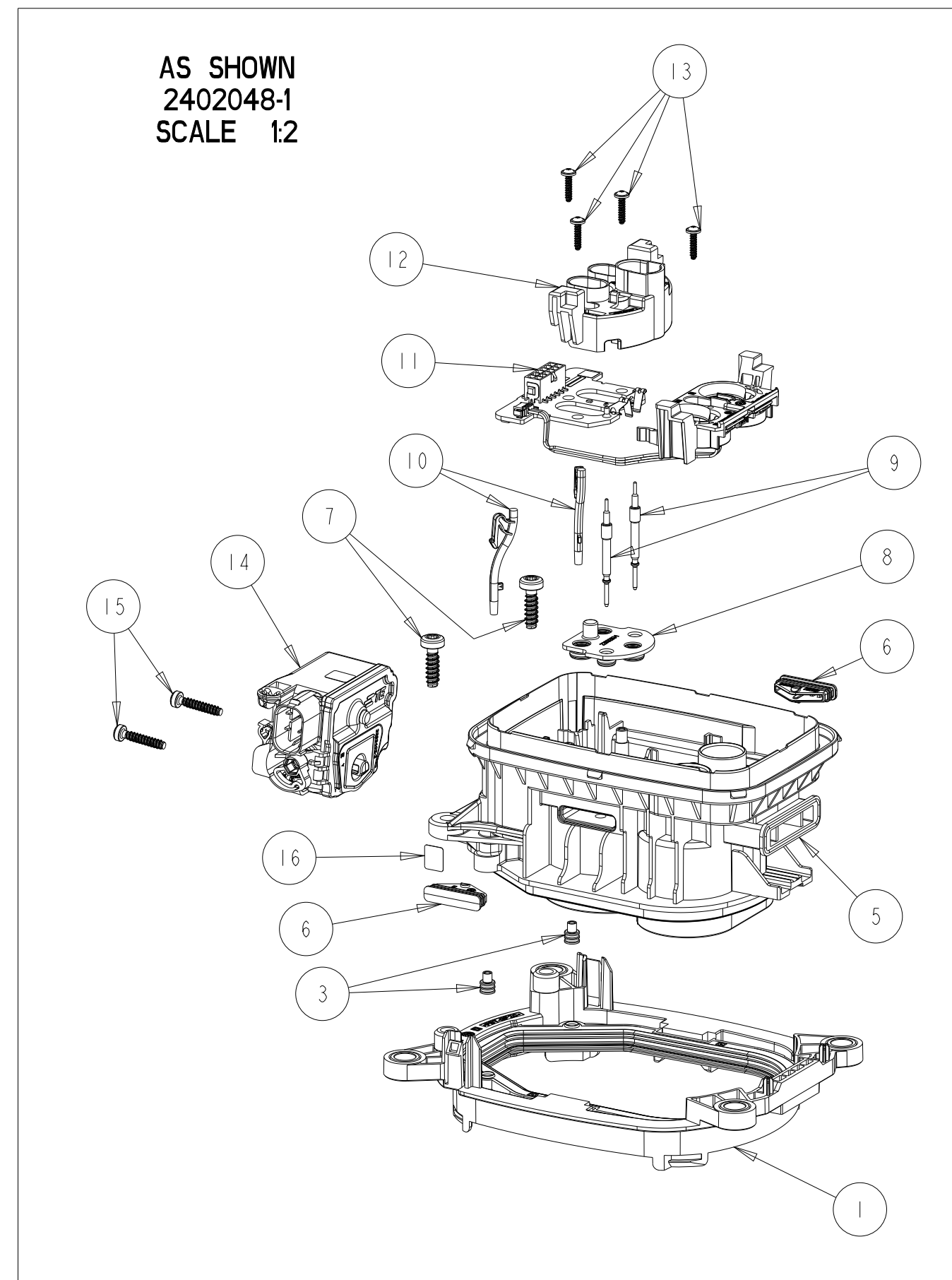


- ### NOTES
- PACKED INTERLAYERED IN PLASTIC BAG (ANTISTATIC) IN CORRUGATED SHIPPING BOX V2402048
  - DELIVERY CONDITION: SEC. LOCKS IN PRELOCK POSITION
  - DELIVERY CONDITION ACTUATOR: ACTUATOR IN BASE POSITION
  - ROOM FOR CONNECTOR PN 1-967640-1 MATING WITH TE SPEC. 114-18063-124.
  - MAKE SURE THAT NO MECHANICAL FORCES ARE APPLIED ON THE HEADER OF PCB A
  - PE CONTACT CLAMP MAY BE DISCOLORED (BLACK/BROWN). TYPICAL FOR AG PLATING AND HAS NO IMPACT ON FUNCTION
  - APPLICABLE SCREWS FOR MOUNTING. HEAD DIAMETER MIN. 10.5mm. TORQUE 6Nm±0.9Nm FOR M6 SCREWS
  - CHARGE INLET SIMILAR TO IEC62196-3.CCS 1. SHEET 3-111a
  - CHARGE INLET SIMILAR TO IEC62196-2.TYPE 1. SHEET 2-1
  - ADAPTIVE CABLES SEE APPLICATION SPECIFICATION 114-94758
  - SPECIFIED IN PRODUCT SPECIFICATION 108-94867
  - COMPATIBLE PCB CONNECTOR: PN 1-794617-2 WITH TERMINAL PN 0-794606-1
  - FUNCTIONAL AND ELECTRICAL REQUIREMENTS OF ACTUATOR SEE SPECIFICATION 108-94519.
  - PCB TO BE TESTED ACCORDING TO THE TESTING PARAMETER TABLE.

### AC-DC-PT1000-TEMPERATURE-SENSOR:

TEMPERATURE (°C)	RESISTANCE (Ω)
-40	842.71
-30	882.22
-25	901.92
-20	921.6
-15	941.24
-10	960.86
-5	980.44
0	1000
5	1019.53
10	1039.03
15	1058.49
20	1077.94
25	1097.35
30	1116.73
35	1136.08
40	1155.41
45	1174.7
50	1193.97
60	1232.42
70	1270.75
75	1289.87
80	1308.97
90	1347.07
95	1366.08
100	1385.06



### PINNING PCB

PIN NO.	COMBO 1
1	LED gn
2	LED rd
3	-
4	GND led
5	LED wt
6	T DC+
7	Proxi
8	GND. Temp
9	T DC-
10	T AC
11	PE S
12	CP

### TESTING PARAMETER PCB

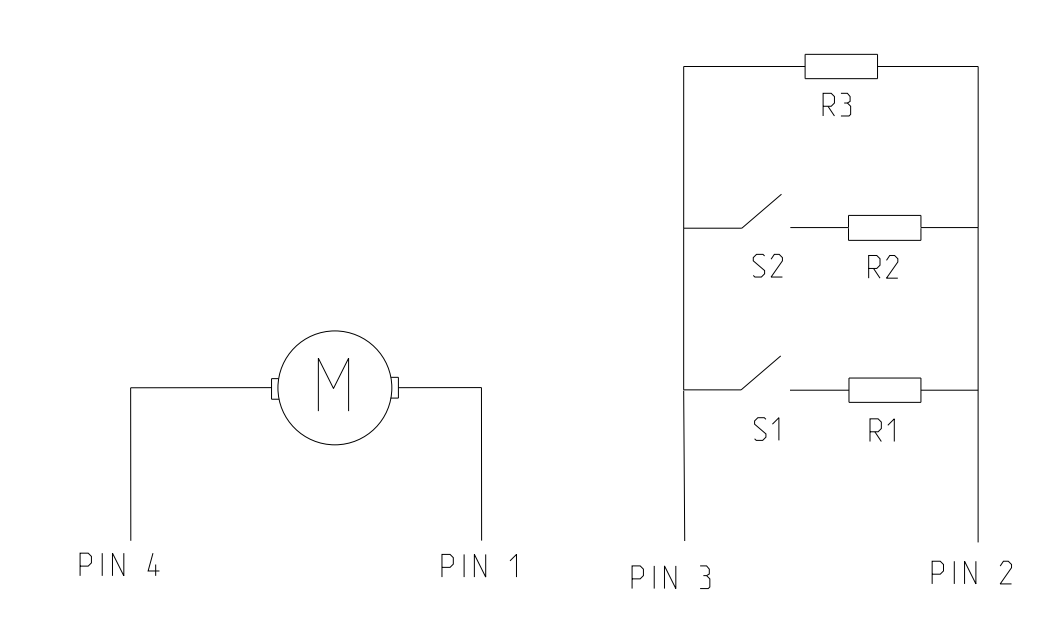
TEST ITEM	TEST VOLTAGE		GROUND PIN	PROPERTY °T <sub>amb</sub> : 25 ± 5 °C	
	VALUE	PIN		LIGHT EMISSION	CURRENT
LED WHITE	11V±0.2V	5	4	WHITE	20mA+4mA
LED GREEN	11V±0.2V	1	4	GREEN	20mA+4mA
LED RED	11V±0.2V	2	4	RED	20mA+4mA

### TEST ITEM RESISTANCE MEASUREMENT

TEST ITEM	RESISTANCE MEASUREMENT TEST PINS	VALUE °T <sub>amb</sub> : 25 ± 5 °C
TAC	10 8	1097Ω±20Ω
TDC+	6 8	1097Ω±20Ω
TDC-	9 8	1097Ω±20Ω
R5	11 7	2700Ω±80Ω
Proxi	Proxi 7	0Ω+1Ω
CP	CP 12	0Ω+1Ω

### ACTUATOR WIRE CONFIGURATION

PIN 3	PIN 2	SENSE RESISTANCE	FUNCTION
-	+	11,000 kOhm ± 5%	LOCKED
-	+	2,194 kOhm ± 5%	DRIVE
-	+	1,540 kOhm ± 5%	FAULT
-	+	0,989 kOhm ± 5%	UNLOCKED



REV	DATE	DESCRIPTION	BY	APP'D
A1	14FEB2022	INITIAL RELEASE	SS	KPB
A2	03AUG2022	-2 AND -4 INSTANCE ARE ON HOLD	SS	KPB
A3	30MAY2023	PCN-23-176897	BN	KPB
A4	15JAN2024	PCN-24-197617	AJ	KPB

REV	DATE	DESCRIPTION	BY	APP'D
1	-	ACTUATOR, TE TYP1, 24V	-	17
1	A	TRACKING LABEL	-	16
2	2	SCREW, 3.5x18, SELF THREAD CUTTING	ZnNi	15
-	1	ACTUATOR, TE TYP1, 12V	-	14
4	4	SCREW 2.5x11	Zn/BLACK	13
1	1	SEC. LOCK, INLET 1	RED	12
1	1	COMBO 1.TPA.PCB WITH LIGHT ASSY	-	11
-	-	LIGHT PIPE INLET ASSY	TRANSPARENT	10
2	2	PIN DIA1.5. CP/CS	Ag	9
1	1	GROMMET, CONTACT KIT, SEAL, TYP1	GREEN	8
2	2	SCREW, 5x16, SELF THREAD CUTTING	ZnNi	7
2	2	SEALING PLUG	BLACK	6
1	1	7POS.MIXED PIN HSG.INLET COMB01	BLACK	5
2	2	CAVITY PLUG DIA 2.5MM SYSTEM DIA 5.4MM CAVITY	NATURAL	4
-	-	SINGLE-WIRE-SEAL	YELLOW	3
1	1	CARRIER, TE INLET COMB01, ASSY	BLACK	2
-	-	CARRIER, LED, TE INLET COMB01, ASSY	BLACK	1

REV	DATE	DESCRIPTION	BY	APP'D
2402048-4	2402048-3	2402048-2	2402048-1	REV
A	A	A	A	REVISION OF EACH ASSY NO (WHEN BLANK, USE DWG REVISION)
388.25	400.99	388.35	401.09	WEIGHT OF EACH ASSY NO [g]
INLET HSG W/O LED 24V ACTUATOR	INLET HSG W/O LED 12V ACTUATOR	INLET HSG WITH LED 24V ACTUATOR	INLET HSG WITH LED 12V ACTUATOR	

THIS DRAWING IS A CONTROLLED DOCUMENT. DATE: 06FEB2022. DRAWN BY: SUBHAS.H. CHECKED BY: AMRILIA.C. APPROVED BY: KASHYAP.P.B.

DIMENSIONS: (mm). DIMENSIONS AND TOLERANCES ACCORDING TO: DIN 15762, DIN EN ISO 8015 (GD), DIN EN ISO 291, DIN EN ISO 14405-1/-2/-3.

MATERIAL: -. FINISH: -. WEIGHT: -. APPLICATION SPEC: 114-94758. CUSTOMER DRAWING.

STE TE Connectivity. INLET HSG ASSY, COMBO1. SIZE: -. CASE CODE: -. DRAWING NO: A000779. SCALE: 1:1. SHEET 1 OF 1. REV: A.4.