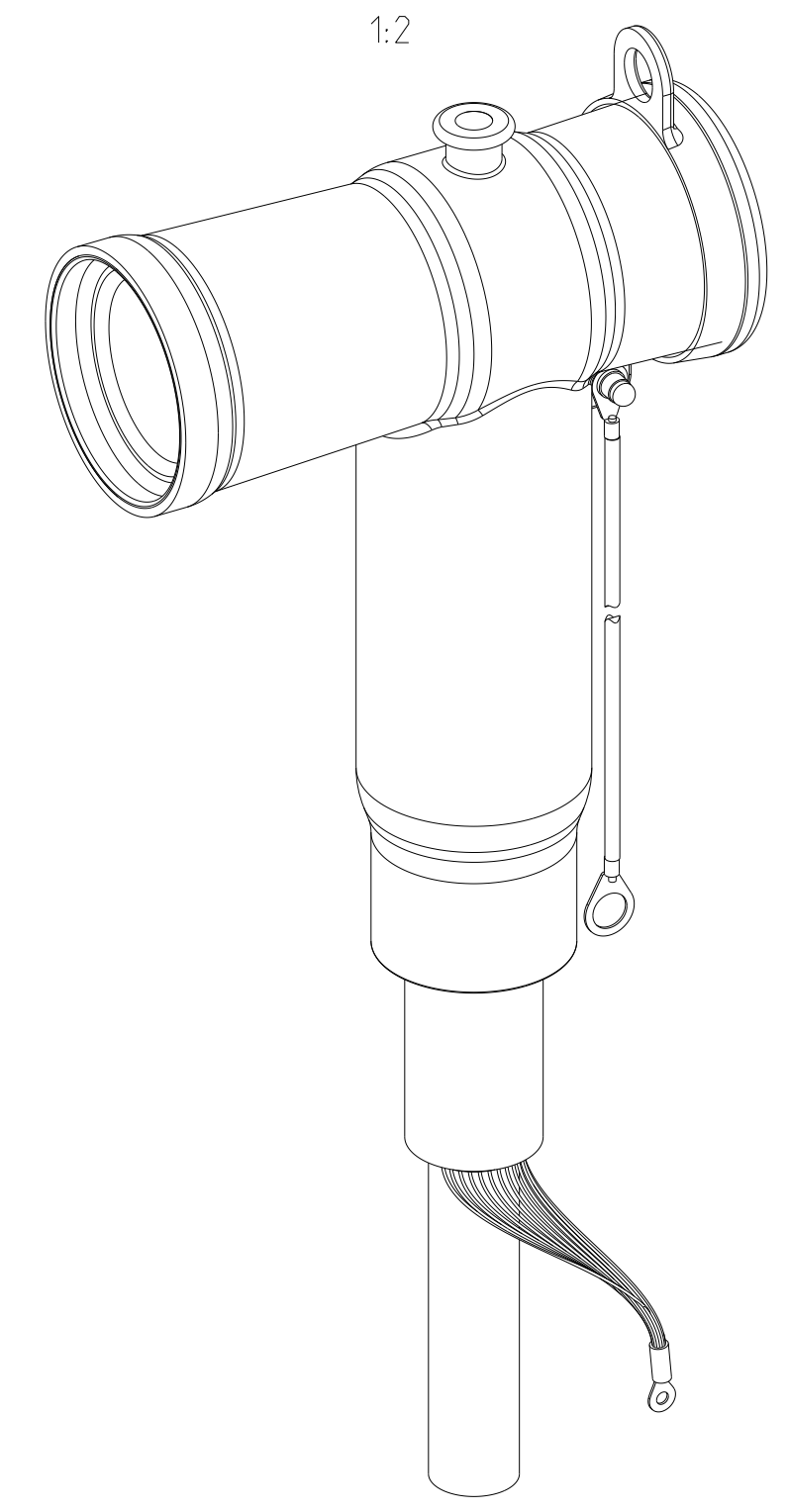
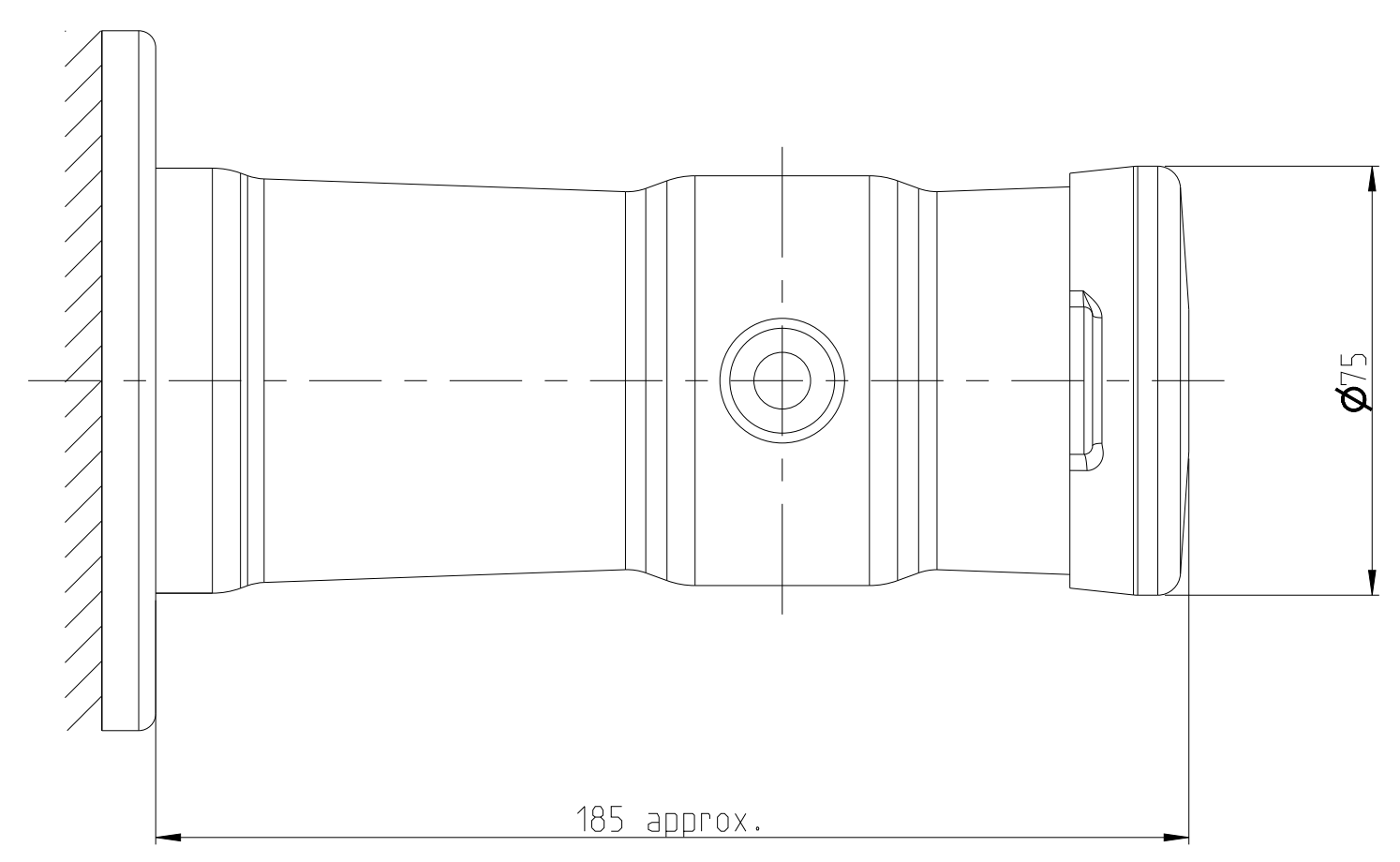
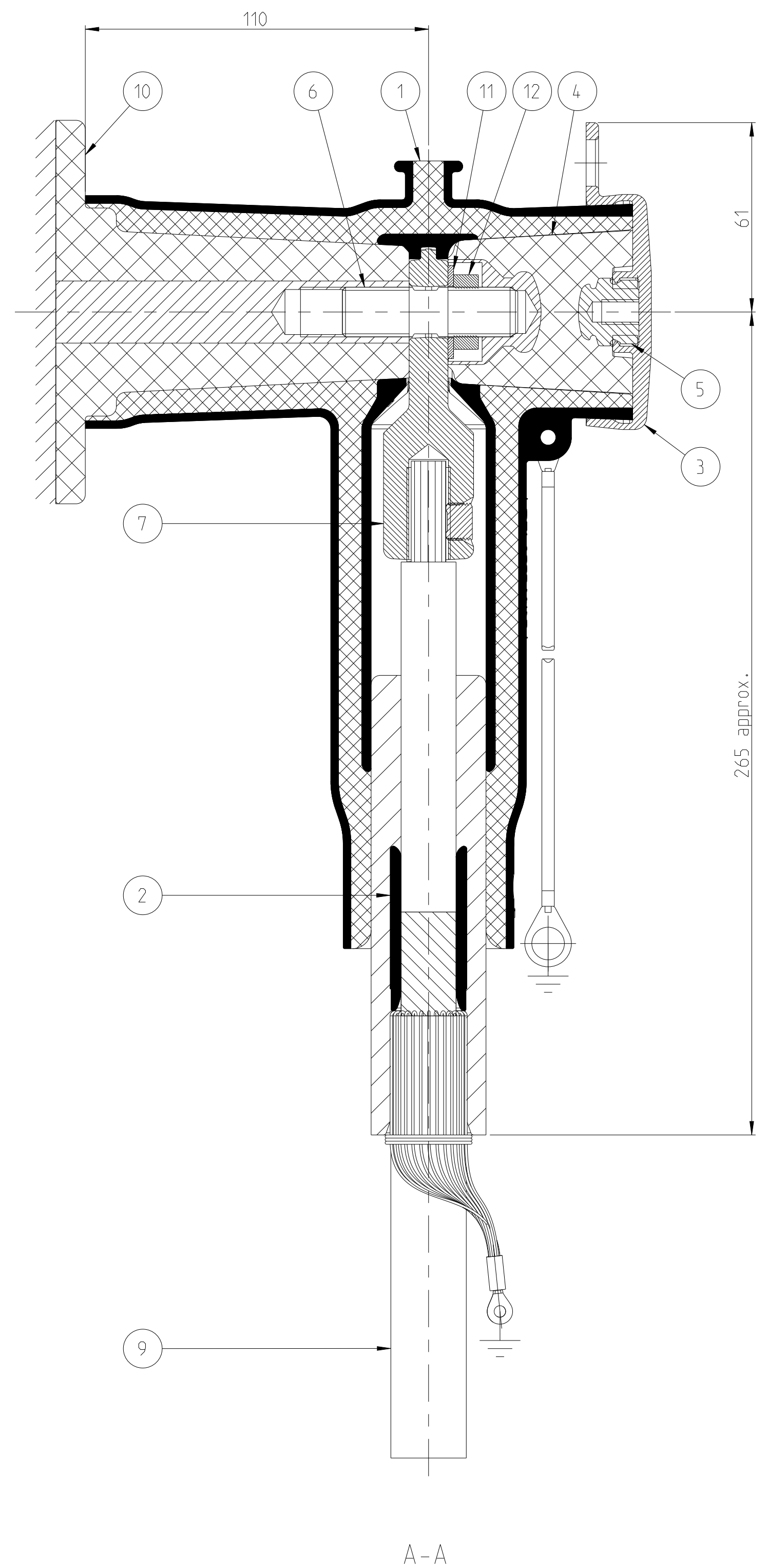
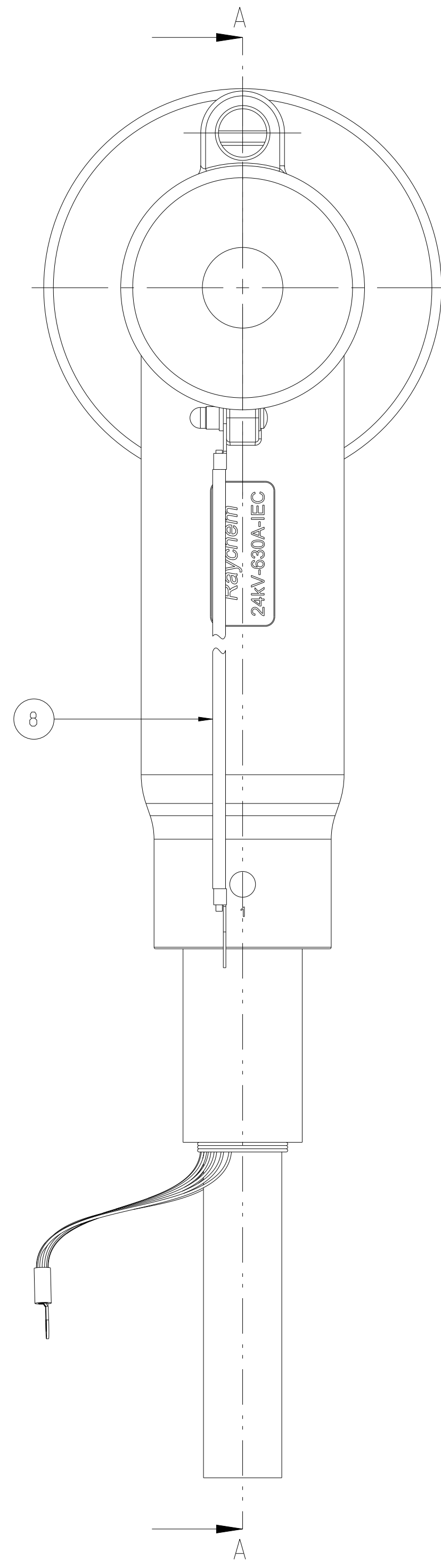


REVISIONS				
P	LTN	DESCRIPTION	DATE	APVD



ITEM	QTY	DESCRIPTION
1	1	24KV 630A ASYMMETRICAL BT BODY
2	1	24KV 630A STRESS CONTROL ADAPTER
3	1	COVERING CAP FOR 630A CONNECTER
4	1	BACKPLUG M16
5	1	TEST POINT
6	1	M16-STUD BOLT 24KV 630A CONNECTOR
7	1	BLMC-95/300-16-630A
8	1	EARTHING EYE AND GROUND LEAD
9	1	CABLE ASSEMBLY
10	1	24KV 630A TYPE C EPOXY BUSHING
11	1	M16 WASHER
12	1	M16 NUT

THIS DRAWING IS A CONTROLLED DOCUMENT.		DWN: B. JOEL 30NOV2021	
DIMENSIONS: mm		CHK: J. QIN 30NOV2021	
TOLERANCES UNLESS OTHERWISE SPECIFIED:		APVD: F. ZHANG 30NOV2021	NAME: 24KV EPDM 630A BT
0 PLC	±	PRODUCT SPEC	APPLICATION SPEC
1 PLC	±		
2 PLC	±		
3 PLC	±		
4 PLC	±		
ANGLES	±		
MATERIAL		WEIGHT	RESTRICTED TO
CUSTOMER DRAWING		SIZE: A CAGE CODE: 00779 DRAWING NO: C=2404150	SCALE: 4:5
		SHEET 1 OF 1	REV 1