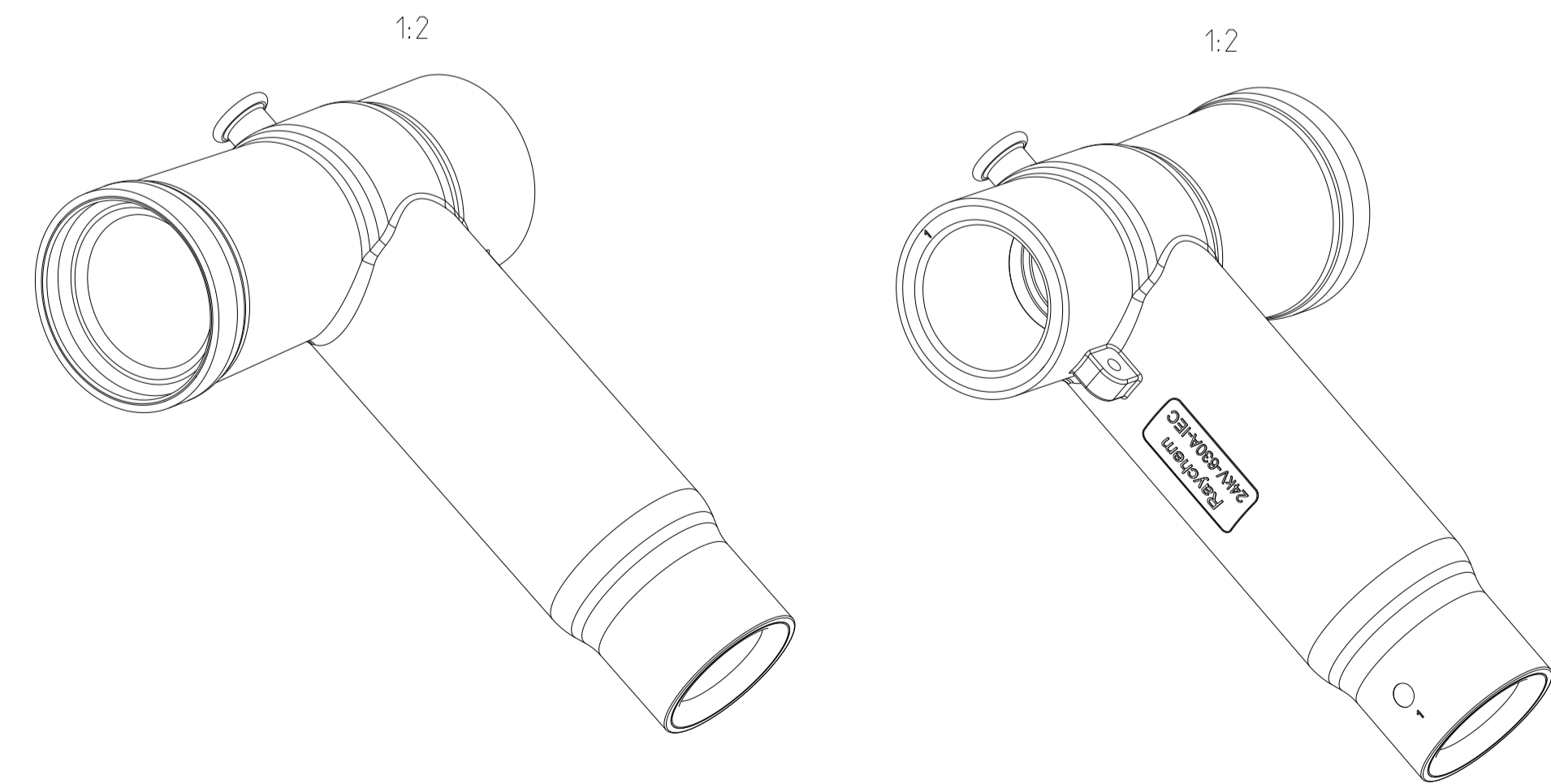
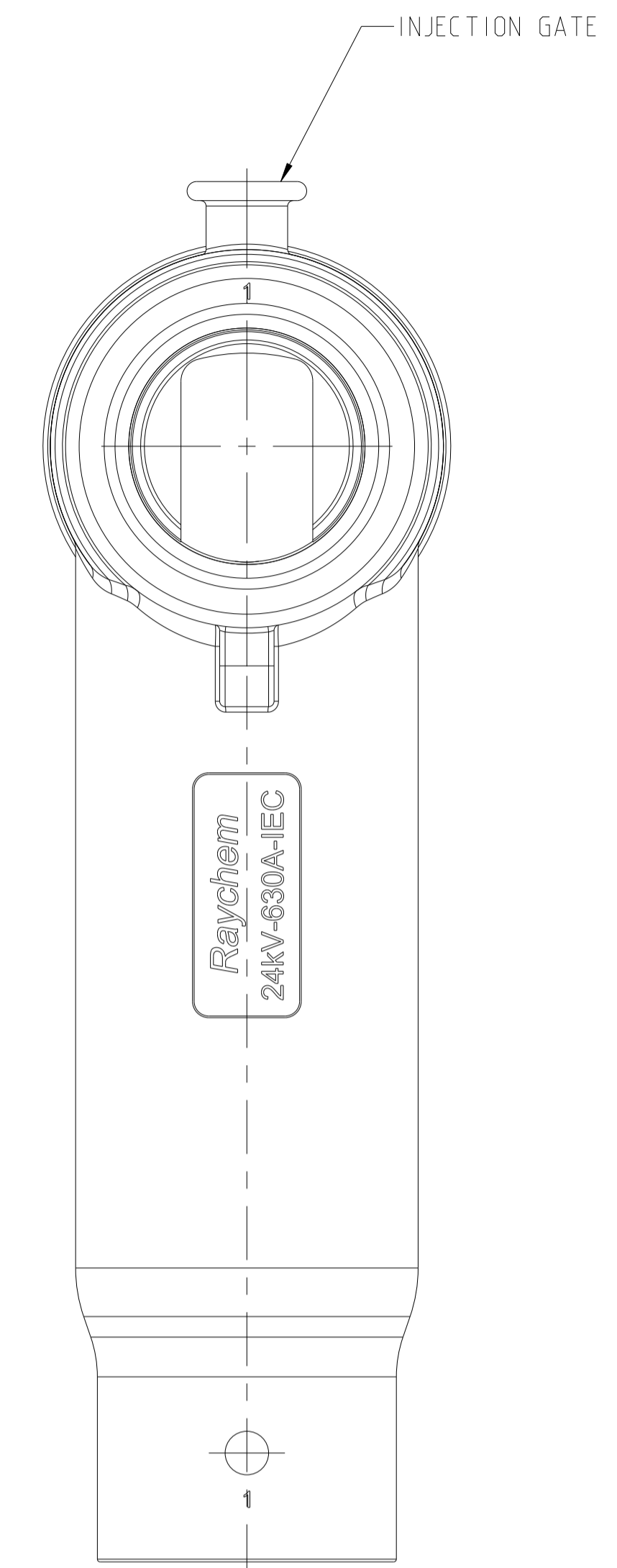
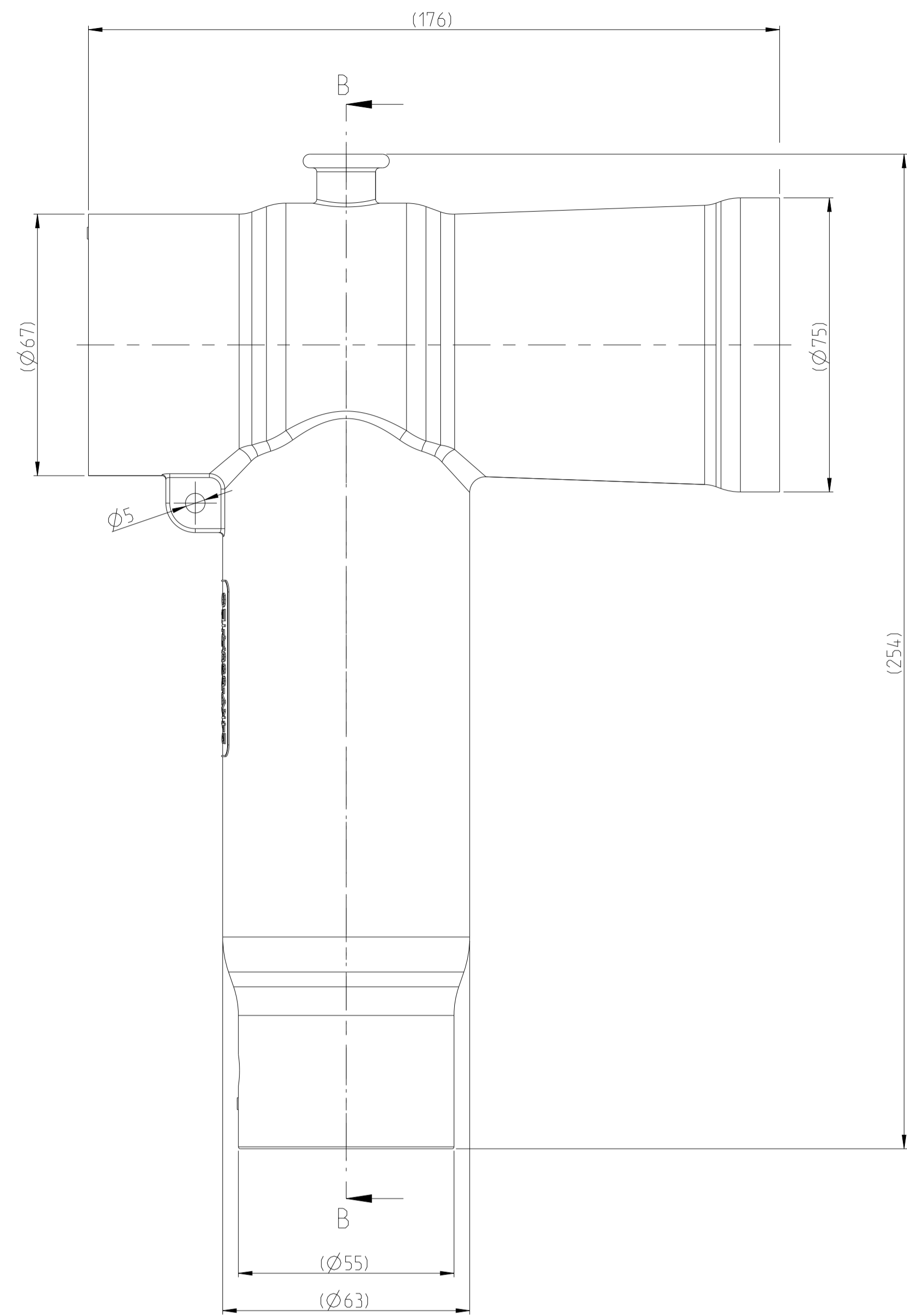
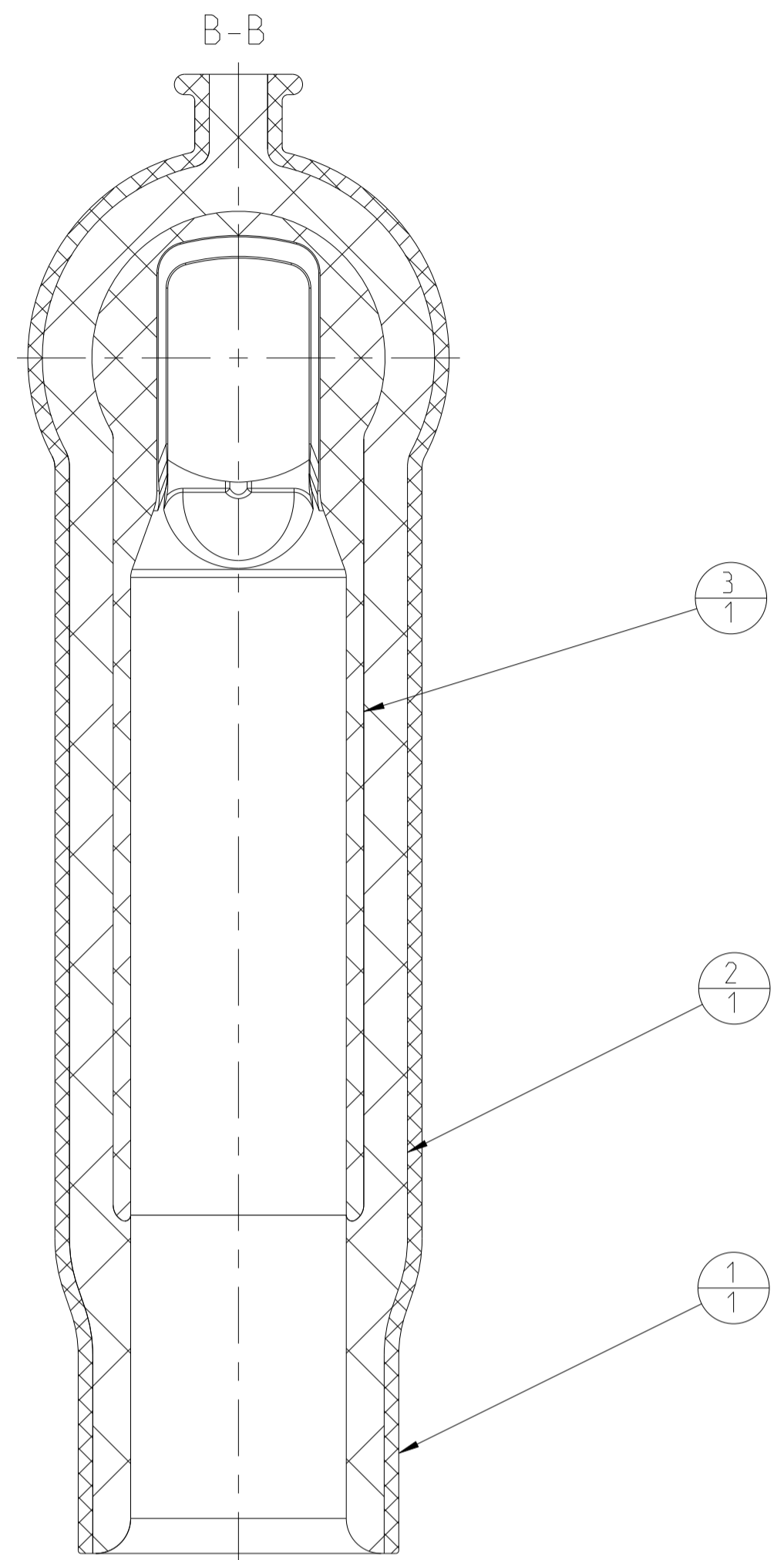


REVISIONS					
P	LTN	DESCRIPTION	DATE	DMN	APVD
A1		GO TO PRODUCTION	27FEB2023	IQ	WJY



Pos Item	Anz Qty	Benennung Name	Zeichnungsnummer / Normbezeichnung Part number / Standard designation	Volumen (cm ³) Volume (cm ³)	Werkstoff Material
1	1	OUTER CONDUCTIVE LAYER	2372359-1	171.299	EPDM (CONDUCTIVE)
2	1	INSULATING BODY	-	438.417	EPDM (INSULATING)
3	1	FARADAY CAGE	2372355-1	73.843	EPDM (CONDUCTIVE)

240439-1	ELBC-24-FB-K1-UP-630
PART NUMBER	PART DESCRIPTION

THIS DRAWING IS A CONTROLLED DOCUMENT.		DMN L. QIN 08DEC2021		
DIMENSIONS: mm		CHK E. ZHANG 08DEC2021		
TOLERANCES UNLESS OTHERWISE SPECIFIED: 0 PLC # # # # 1 PLC # # # # 2 PLC # # # # 3 PLC # # # # 4 PLC # # # # ANGLES # # # # FINISH # # # #		APVD W. J. YANG 08DEC2021	NAME ELBC-24-FB-K1-UP-630	
MATERIAL		APPLICATION SPEC	RESTRICTED TO	
-		WEIGHT	A 00779 ©=2404439	
-		CUSTOMER DRAWING	SCALE 1:1 SHEET 1 OF 1 REV A1	