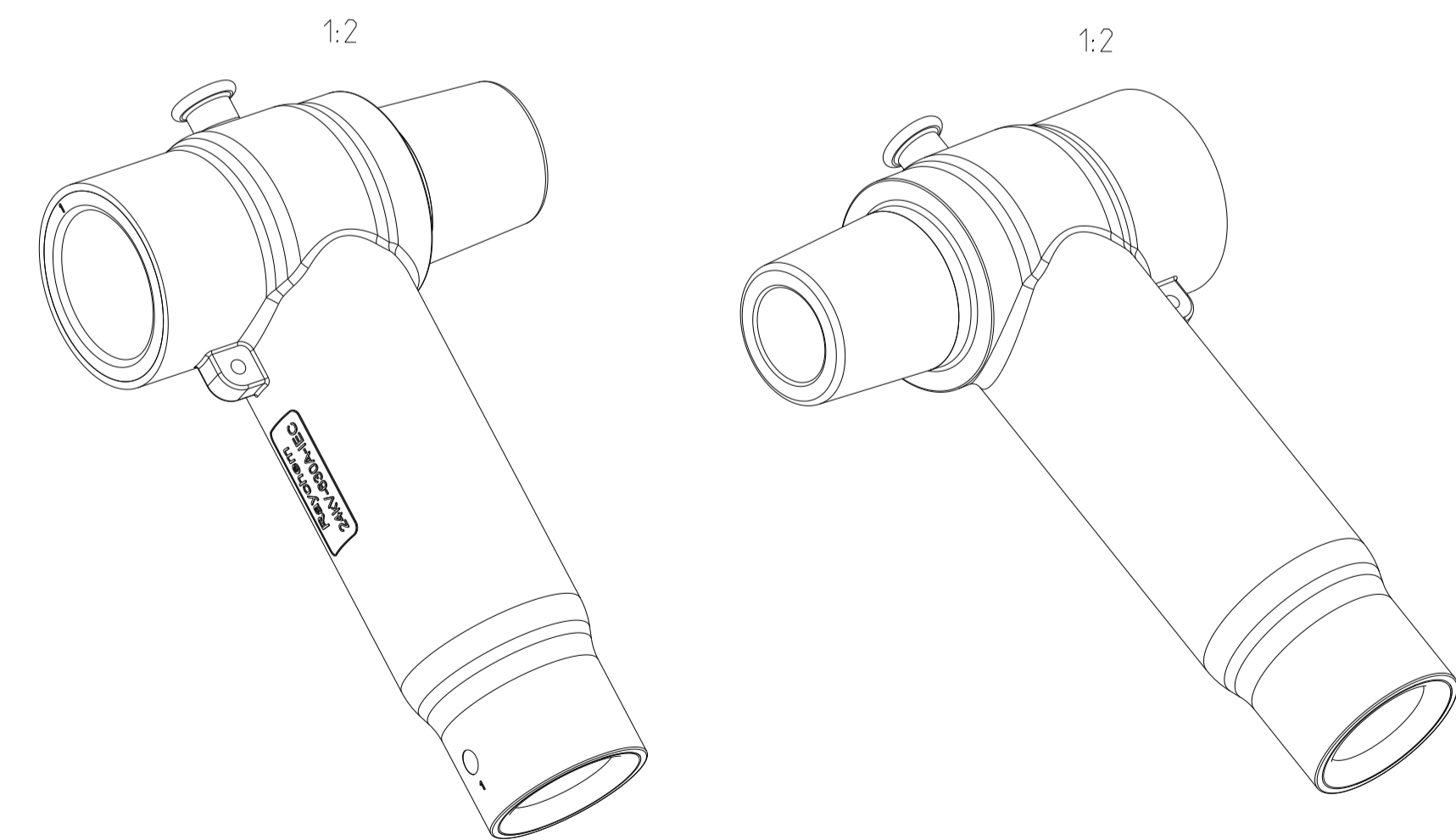
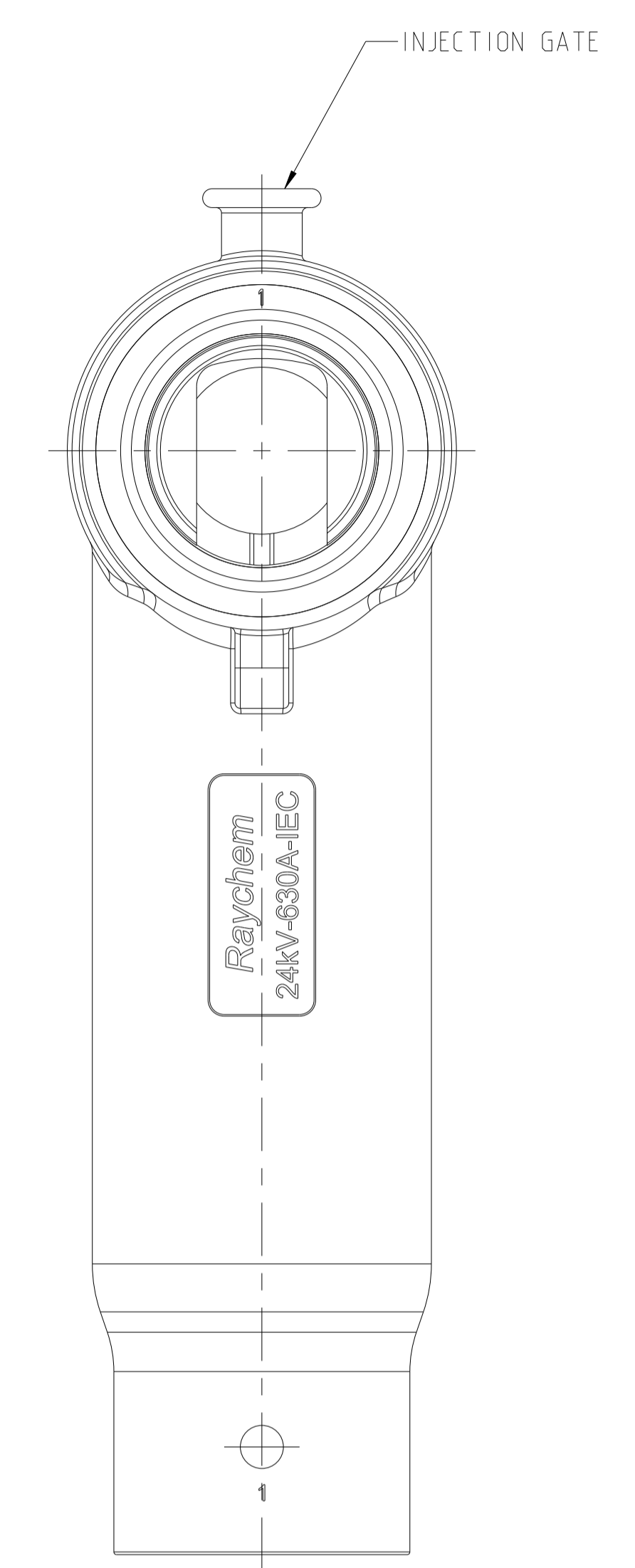
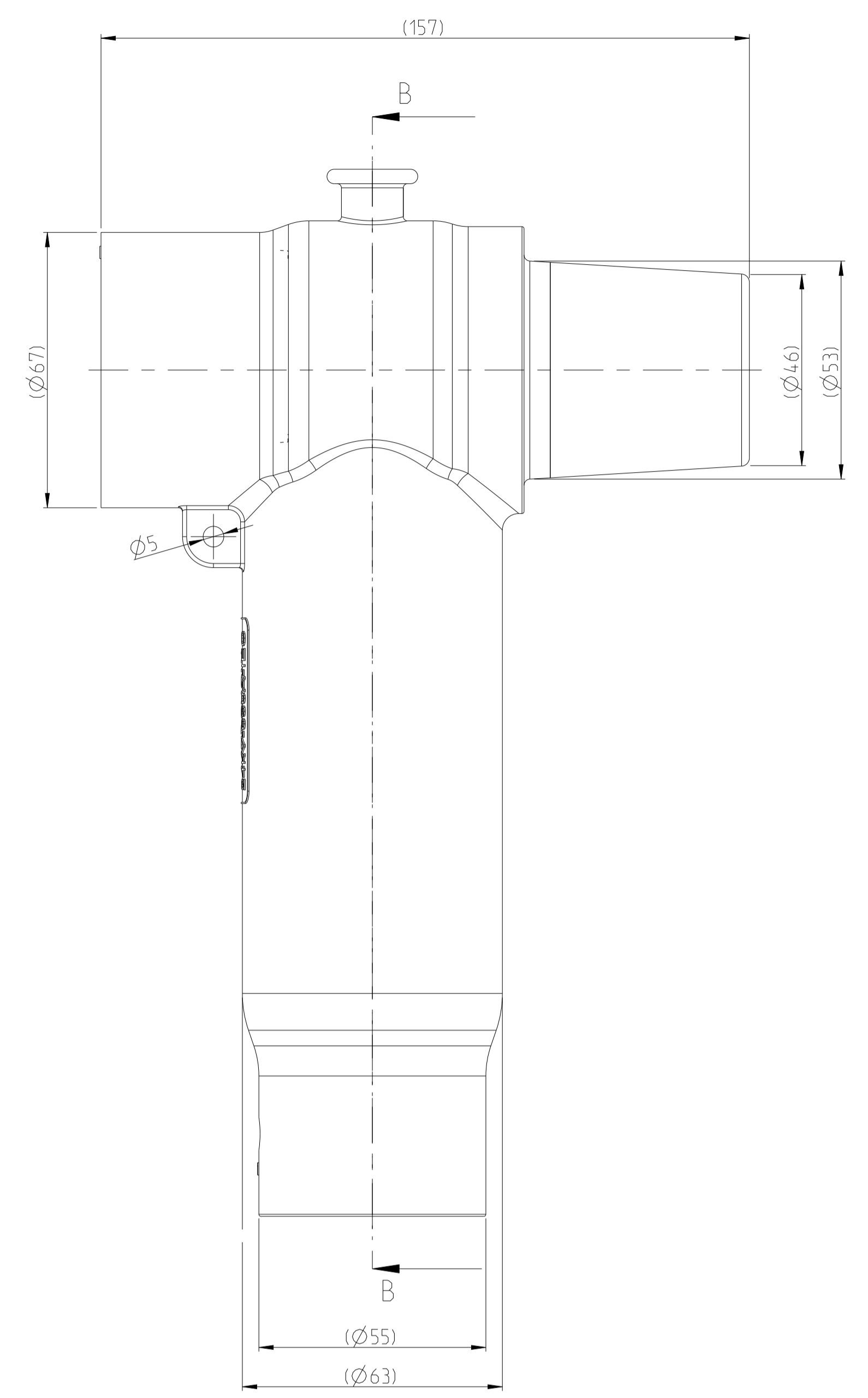
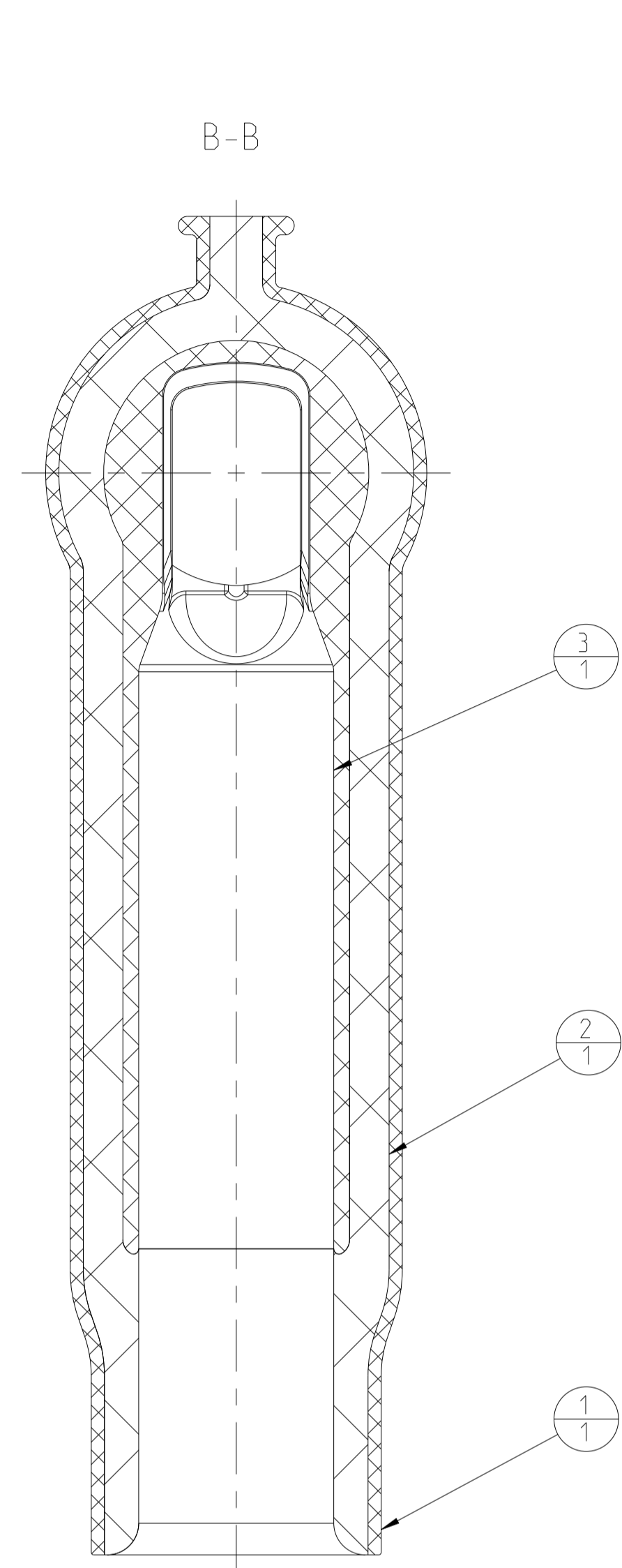


REVISIONS				
P	LTN	DESCRIPTION	DATE	APVD
A1		GO TO PRODUCTION	27FEB2023	IQ W.J.Y



Pos Item	Anz Qty	Benennung Name	Zeichnungsnummer / Normbezeichnung Part number / Standard designation	Volumen (cm <sup>3</sup> ) Volume (cm <sup>3</sup> )	Werkstoff Material
1	1	OUTER CONDUCTIVE LAYER	2372351-1	146.601	EPDM (CONDUCTIVE)
2	1	INSULATING BODY	-	413.138	EPDM (INSULATING)
3	1	FARADAY CAGE	2372336-1	80.58	EPDM (CONDUCTIVE)

2404440-1	ELBC-24-CB-K1-UP-630
PART NUMBER	PART DESCRIPTION

THIS DRAWING IS A CONTROLLED DOCUMENT.		DWN T. QIN	08DEC2021	
DIMENSIONS: mm		CHK E. ZHANG	08DEC2021	
TOLERANCES UNLESS OTHERWISE SPECIFIED: 0 PLC # # # # # 1 PLC # # # # # 2 PLC # # # # # 3 PLC # # # # # 4 PLC # # # # # ANGLES # # # # #		APVD W. J. YANG	08DEC2021	NAME ELBC-24-CB-K1-UP-630
MATERIAL		FINISH	WEIGHT	RESTRICTED TO
CUSTOMER DRAWING		SCALE 1:1	SHEET 1 OF 1	REV A1