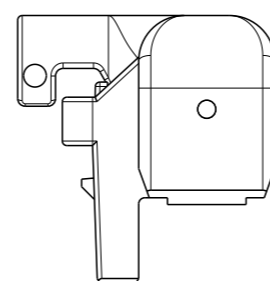
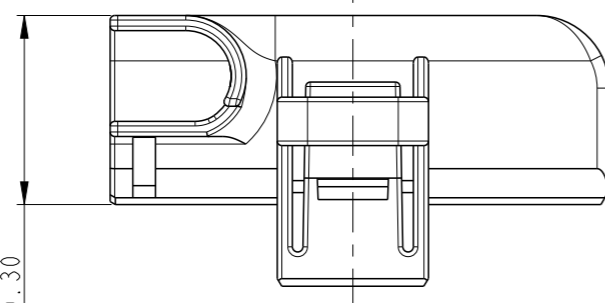
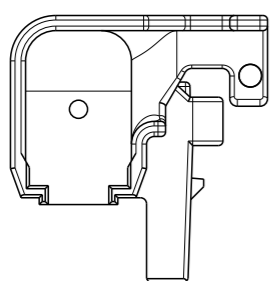
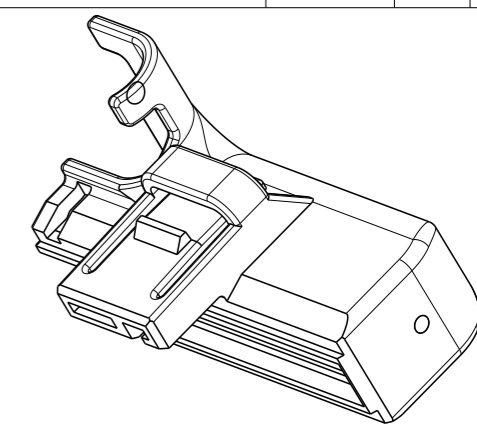
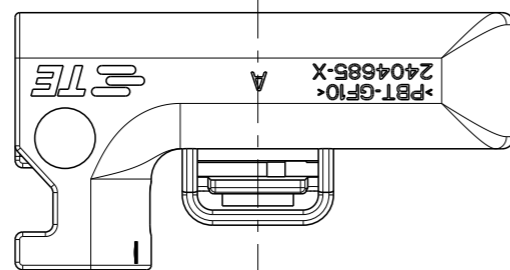
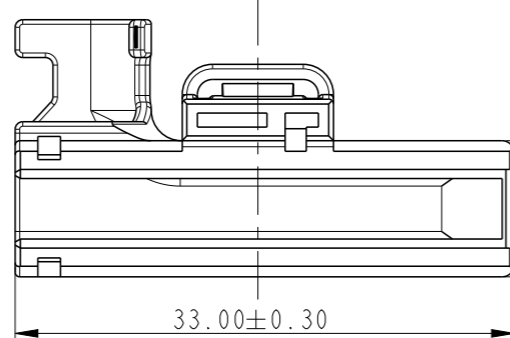


P	LTR	DESCRIPTION	DATE	DWN	APVD
	A	RELEASED	25OCT2022	JS	KT



12.50±0.30

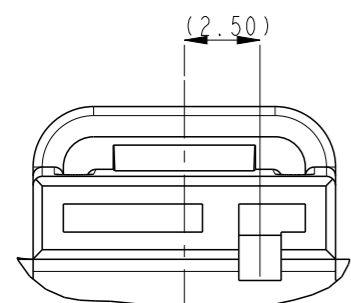


9.00±0.30

- NOTE
1. GENERAL TOLERANCE : ±0.3
 2. APPLICABLE PLUG HSG : 2404687-1
 3. COUNTERPART / INTERFACE : 208-18102
 4. BURK PACKAGED

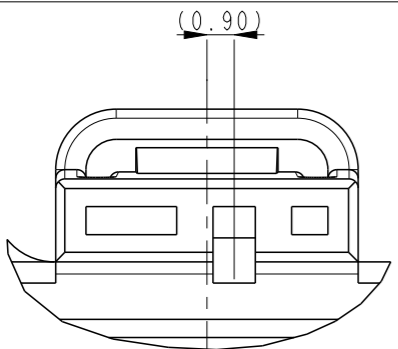
NO	PART NUMBER	DESCRIPTION	MATERIAL	COLOR	QTY
2	2404685-2	PICO 22P COVER HSG CODE B	PBT-GF10	NATURAL	1
1	2404685-1	PICO 22P COVER HSG CODE A	PBT-GF10	BLACK	1

CODING



SCALE 4:1

CODING A



SCALE 4:1

CODING B

THIS DRAWING IS A CONTROLLED DOCUMENT.

DIMENSIONS: mm	TOLERANCES UNLESS OTHERWISE SPECIFIED:
	0 PLC ±
	1 PLC ±
	2 PLC ±
	3 PLC ±
	4 PLC ±
	ANGLES ±
MATERIAL SEE TABLE	FINISH -

DWN JS KIM
CHK YH KIM
APVD KY JUNG
PRODUCT SPEC 108-94658
APPLICATION SPEC 114-94520
WEIGHT -
CUSTOMER DRAWING

TE Connectivity		NAME PICO 22P COVER HSG	
		SIZE A3	CAGE CODE 00779
DRAWING NO C-2404685		RESTRICTED TO -	
SCALE 2:1		SHEET 1 OF 1	
		REV A	