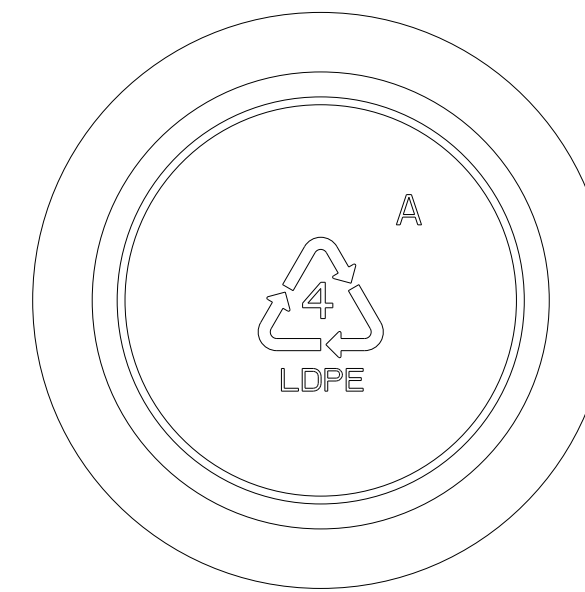
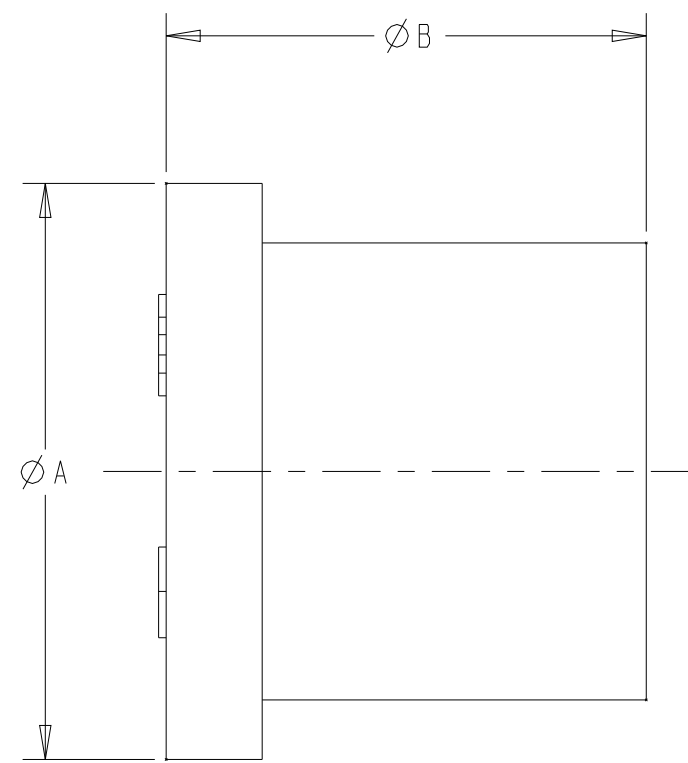
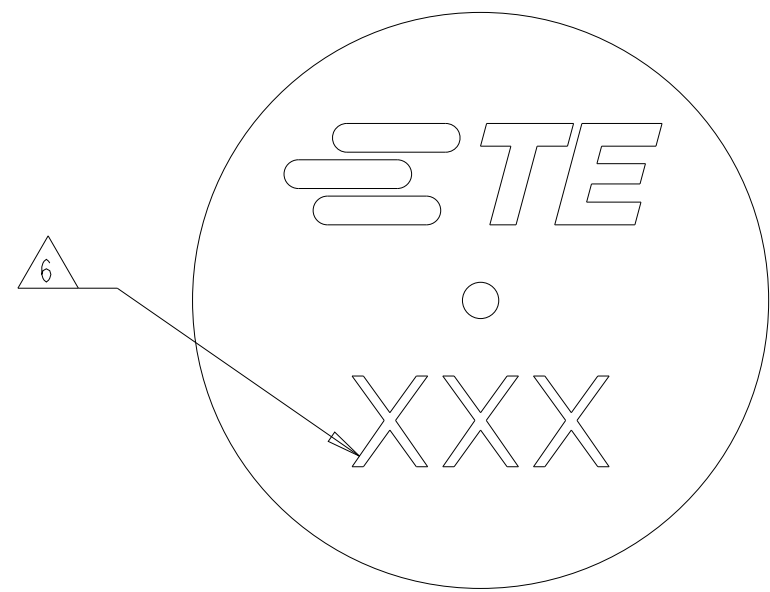


REVISIONS

P	LTR	DESCRIPTION	DATE	DWN	APVD
	A1	ECN-23-205224	28MAR2023	RK	MZ

NOTES:

- 1 MATERIAL: LDPE, COLOR: ORANGE
- 2 MATERIAL: LDPE, COLOR: BLACK
- 3 MATERIAL: LDPE, COLOR: RED
- 4 MATERIAL: LDPE, COLOR: YELLOW
- 5. MUST COMPLY WITH DIRECTIVE 2002/95/EC (ROHS)
- 6 RAISED TEXT FOR TE CAP SIZE DESIGNATION
EXAMPLE: 11R = SIZE 11 RECEPTACLE
13P = SIZE 13 PLUG




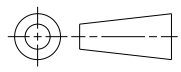
THIS DRAWING IS A CONTROLLED DOCUMENT.		DWN A. WESTBROOK 15 JUL 2022				
		CHK A. WESTBROOK 15 JUL 2022				
DIMENSIONS: mm		TOLERANCES UNLESS OTHERWISE SPECIFIED: 0 PLC ± 1 PLC ± 2 PLC ± 3 PLC ± 4 PLC ± ANGLES ± FINISH -		APVD - PRODUCT SPEC - APPLICATION SPEC - WEIGHT -	NAME PROTECTIVE CAP, CPC SIZE A2 CAGE CODE 00779 DRAWING NO C-2407269 RESTRICTED TO -	
MATERIAL SEE P/N TABLE		CUSTOMER DRAWING		SCALE 4:1	SHEET 1 OF 2	REV A1

REVISIONS

P	LTR	DESCRIPTION	DATE	DWN	APVD
-	-	SEE SHEET 1	-	-	-

PART NUMBER	DESCRIPTION	MATERIAL	SIZE DESIGNATION	DIM A		DIM B	
				MIN	MAX	MIN	MAX
2407269-1	PROTECTIVE CAP, SIZE 11, PLUG, ORANGE	1	11P	18.26	19.84	15.09	16.66
2407269-2	PROTECTIVE CAP, SIZE 11, PLUG, BLACK	2	11P				
2407269-3	PROTECTIVE CAP, SIZE 11, PLUG, RED	3	11P				
2407269-4	PROTECTIVE CAP, SIZE 11, PLUG, YELLOW	4	11P				
1-2407269-1	PROTECTIVE CAP, SIZE 11 RECPT & 13 PLUG, ORANGE	1	11R,13P	21.06	22.63	15.09	16.66
1-2407269-2	PROTECTIVE CAP, SIZE 11 RECPT & 13 PLUG, BLACK	2	11R,13P				
1-2407269-3	PROTECTIVE CAP, SIZE 11 RECPT & 13 PLUG, RED	3	11R,13P				
1-2407269-4	PROTECTIVE CAP, SIZE 11 RECPT & 13 PLUG, YELLOW	4	11R,13P				
2-2407269-1	PROTECTIVE CAP, SIZE 13, RECPT, ORANGE	1	13R	25.88	27.46	11.91	13.49
2-2407269-2	PROTECTIVE CAP, SIZE 13, RECPT, BLACK	2	13R				
2-2407269-3	PROTECTIVE CAP, SIZE 13, RECPT, RED	3	13R				
2-2407269-4	PROTECTIVE CAP, SIZE 13, RECPT, YELLOW	4	13R				
3-2407269-1	PROTECTIVE CAP, SIZE 17, PLUG, ORANGE	1	17P	27.79	29.36	11.91	13.49
3-2407269-2	PROTECTIVE CAP, SIZE 17, PLUG, BLACK	2	17P				
3-2407269-3	PROTECTIVE CAP, SIZE 17, PLUG, RED	3	17P				
3-2407269-4	PROTECTIVE CAP, SIZE 17, PLUG, YELLOW	4	17P				
4-2407269-1	PROTECTIVE CAP, SIZE 17, RECPT, ORANGE	1	17R	30.96	32.54	15.09	16.66
4-2407269-2	PROTECTIVE CAP, SIZE 17, RECPT, BLACK	2	17R				
4-2407269-3	PROTECTIVE CAP, SIZE 17, RECPT, RED	3	17R				
4-2407269-4	PROTECTIVE CAP, SIZE 17, RECPT, YELLOW	4	17R				
5-2407269-1	PROTECTIVE CAP, SIZE 23, PLUG, ORANGE	1	23P	36.42	38.0	13.49	15.06
5-2407269-2	PROTECTIVE CAP, SIZE 23, PLUG, BLACK	2	23P				
5-2407269-3	PROTECTIVE CAP, SIZE 23, PLUG, RED	3	23P				
5-2407269-4	PROTECTIVE CAP, SIZE 23, PLUG, YELLOW	4	23P				
6-2407269-1	PROTECTIVE CAP, SIZE 23, RECPT, ORANGE	1	23R	41.63	43.21	13.44	15.01
6-2407269-2	PROTECTIVE CAP, SIZE 23, RECPT, BLACK	2	23R				
6-2407269-3	PROTECTIVE CAP, SIZE 23, RECPT, RED	3	23R				
6-2407269-4	PROTECTIVE CAP, SIZE 23, RECPT, YELLOW	4	23R				

THIS PRINT IS
PRELIMINARY
 UNQUALIFIED PRODUCT
 CONTACT PRODUCT ENGINEERING
 BEFORE USING THIS PRINT

THIS DRAWING IS A CONTROLLED DOCUMENT.		DWN A. WESTBROOK 15 JUL 2022	 TE Connectivity	
DIMENSIONS: mm		CHK A. WESTBROOK 15 JUL 2022		
TOLERANCES UNLESS OTHERWISE SPECIFIED:		APVD -	NAME PROTECTIVE CAP, CPC	
		PRODUCT SPEC -	-	
0 PLC ± 1 PLC ± 2 PLC ± 3 PLC ± 4 PLC ± ANGLES ± FINISH -		APPLICATION SPEC -	-	
MATERIAL SEE P/N TABLE		WEIGHT -	SIZE A2	CAGE CODE 00779
		CUSTOMER DRAWING	DRAWING NO C-2407269	RESTRICTED TO -
			SCALE 4:1	SHEET 2 OF 2
				REV A1