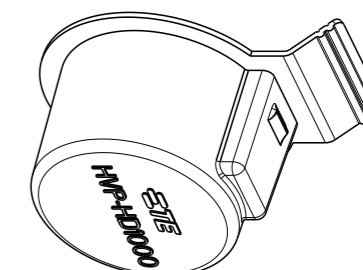
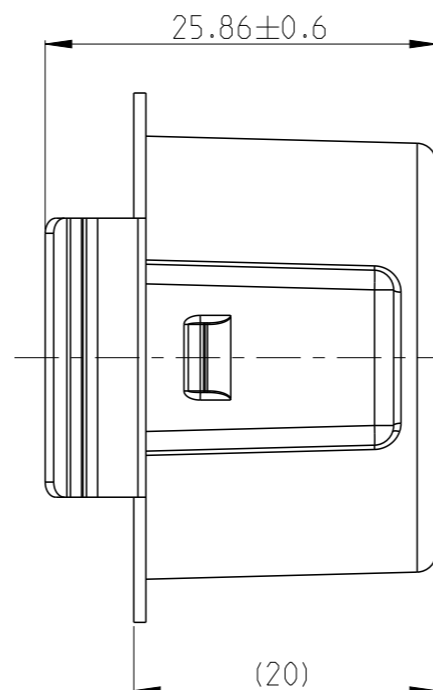
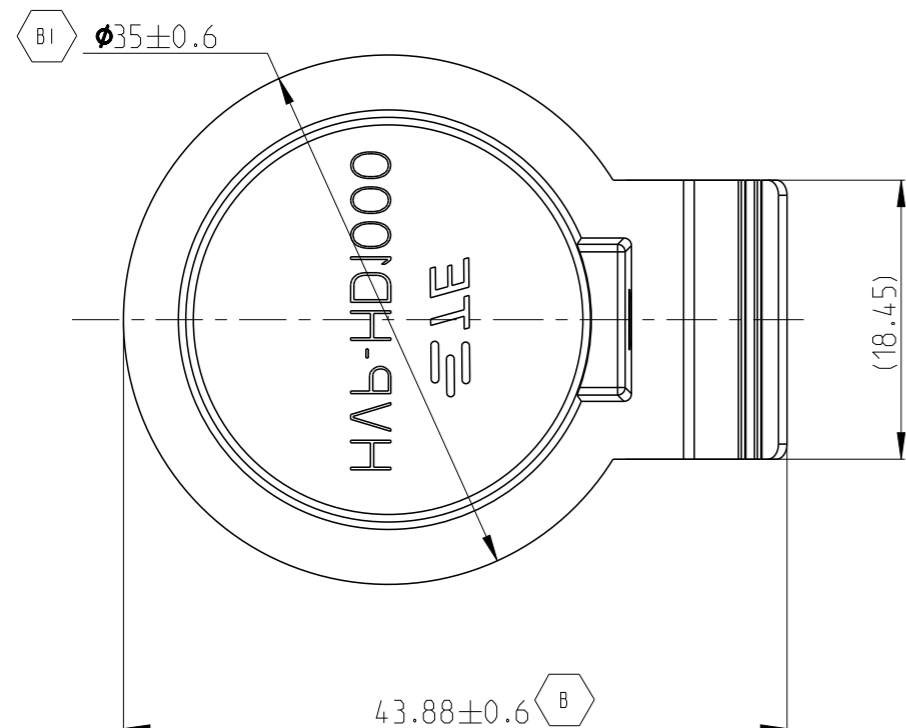
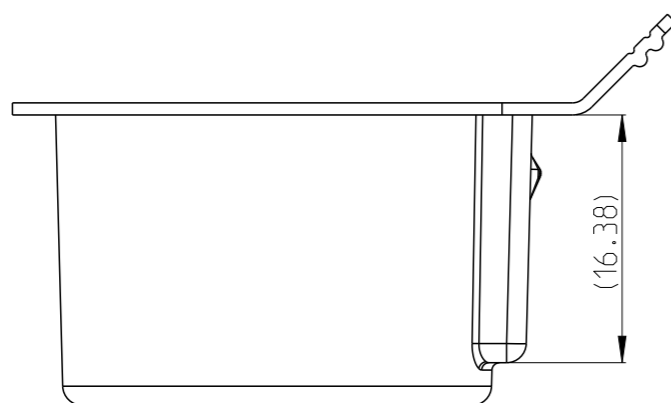


P	LTR	DESCRIPTION	DATE	DWN	APVD
A		INITIAL DRAWING	03JUL22	Y. L	Z. Z
B		PCN-23-195625	15JAN24	C. C	Z. Z
B1		DIMENSION CORRECTION	19JAN25	C. C	Z. Z



SCALE 1:1



- 1 MATERIAL: PET OR EQUALING MATERIAL THAT BE QUALIFIED BY TE
- 2. PACKAGING: BULK PACKING IN PLASTIC BAG CORRUGATED SHIPPING BOX
- B 3. SUITABLE COUNTERPART HVP-HD1000 HEADER  
TE NO.: 2394070, 2394071, 2394072, 2394060, 2394061, 2394062

2407806-1	SHIPPING CAP	BLACK	PET	3.1
TE PART NO.	DESCRIPTION	COLOR	MATERIAL	WEIGHT(g)

THIS DRAWING IS A CONTROLLED DOCUMENT.		DWN Y. LI 03JUL2022	TE Connectivity			
DIMENSIONS: mm		CHK J. LI 03JUL2022				
		APVD Z. ZHOU 03JUL2022				
TOLERANCES UNLESS OTHERWISE SPECIFIED:		NAME HEADER SHIPPING CAP HVP-HD1000				
0 PLC ± 1 PLC ± 2 PLC ± 3 PLC ± 4 PLC ± ANGLES ± FINISH ±		PRODUCT SPEC	SIZE A3	CAGE CODE 00779	DRAWING NO C-2407806	RESTRICTED TO -
MATERIAL 1		APPLICATION SPEC 114-160181	SCALE 2:1		SHEET 1 OF 1	REV B1
		CUSTOMER DRAWING				