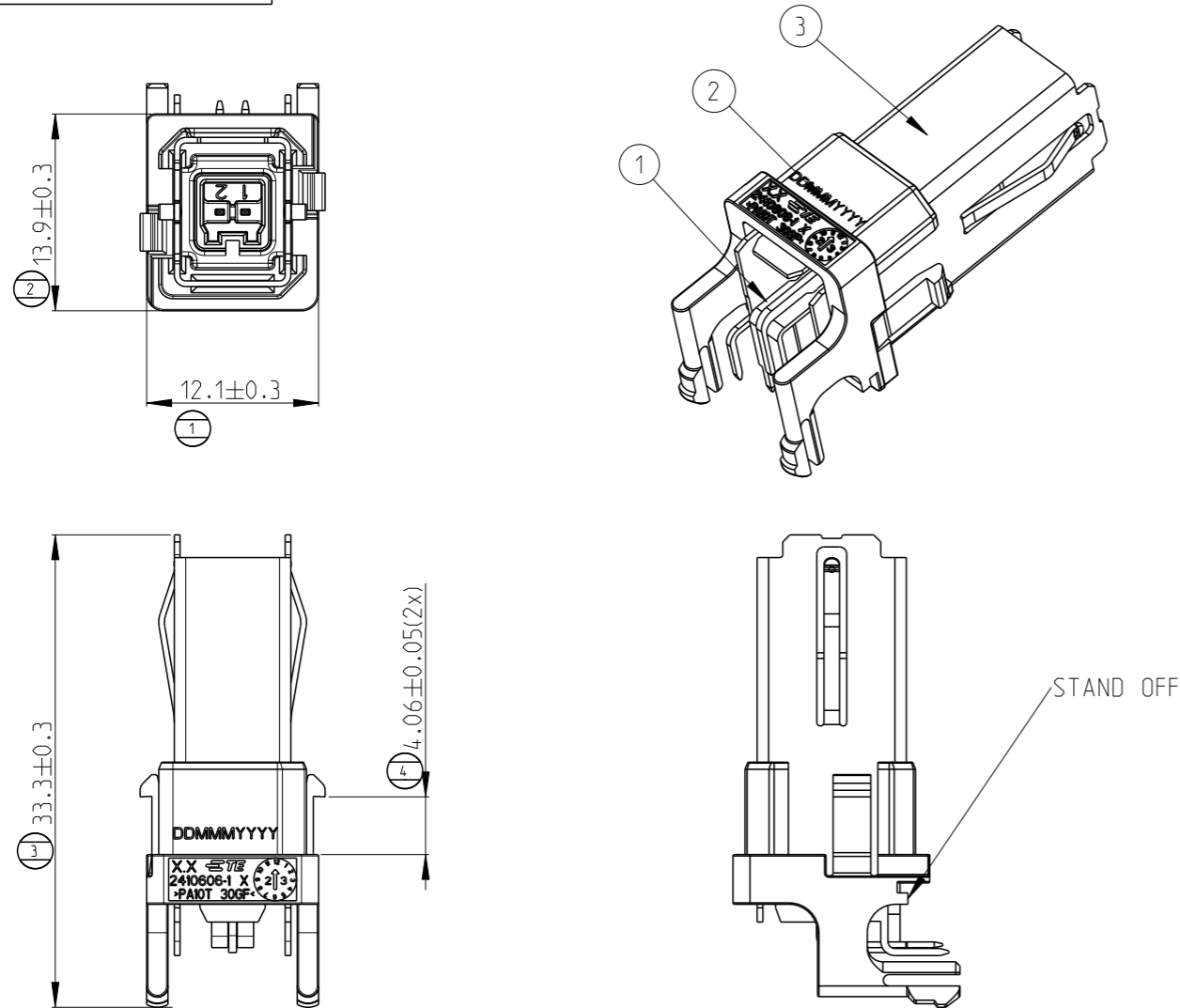
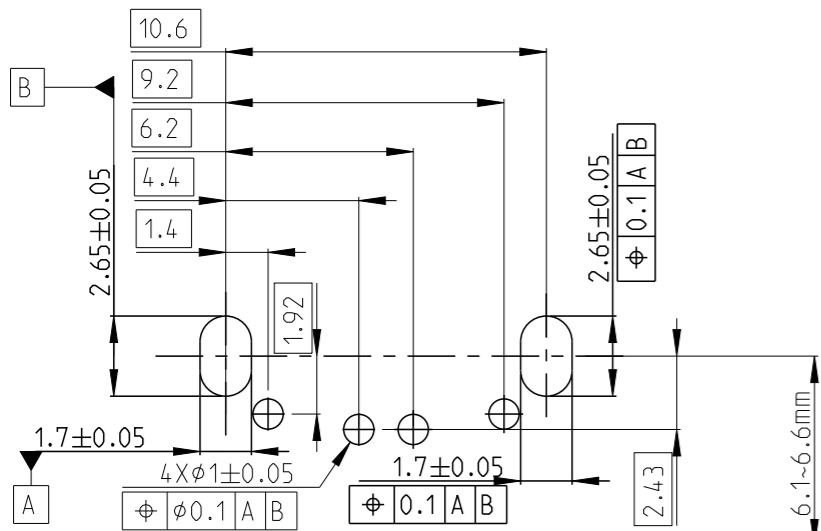


Scale 2:1



Recommend Layout(PCB thickness:T=1.6mm)

Scale 4:1



NOTES:

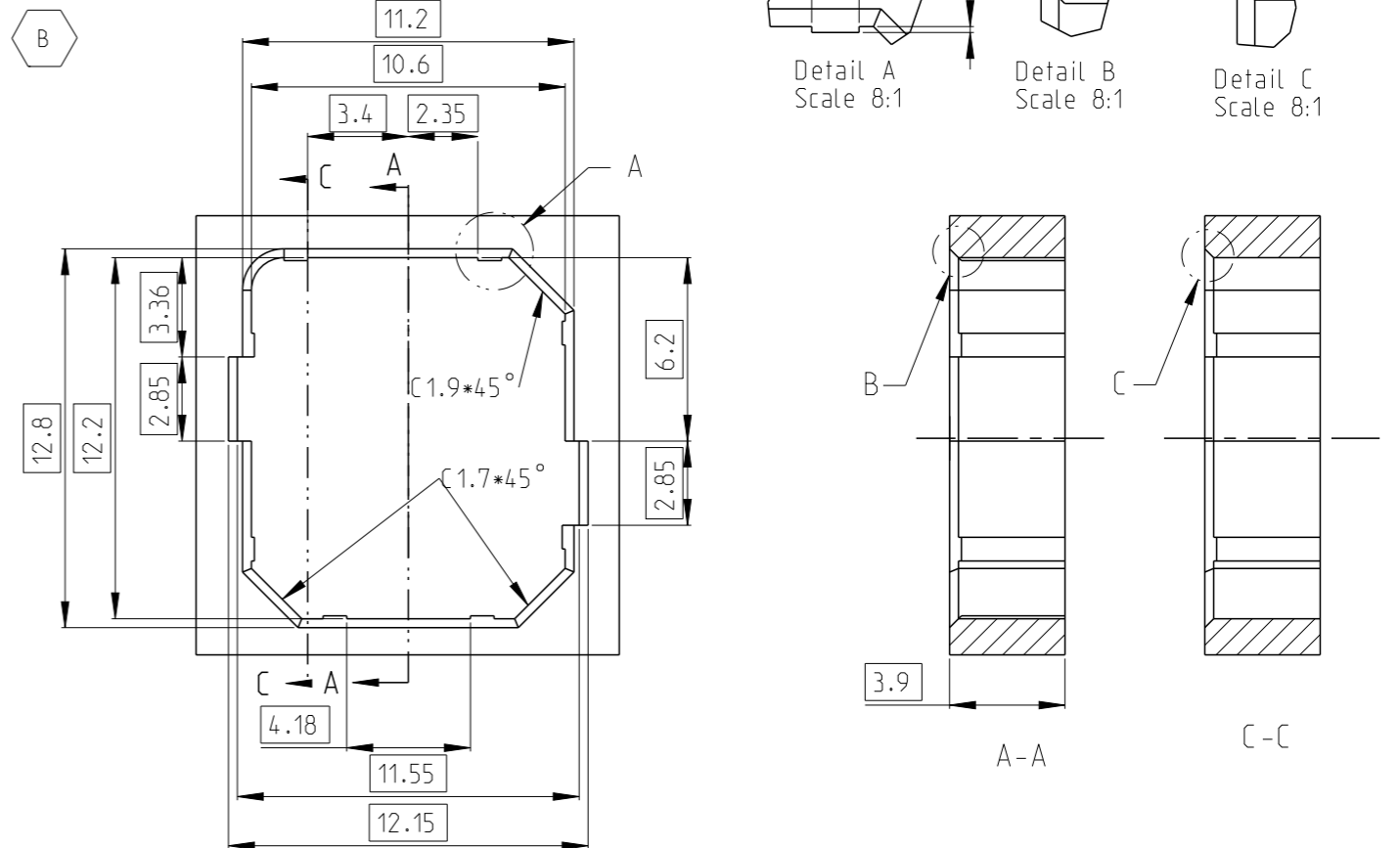
- 1 PACKED IN TRAY ACCORDING PACKAGING SPEC. TE03W-0316
- 2 MIN. RETENTION FORCE: 0.5 TAB: 15N 25MM/MIN
- 3 100% ELECTRIC, CONTINUITY (LV TEST), SHORT CIRCUIT (HV TEST) AND PRESENCE TESTING

REVISIONS

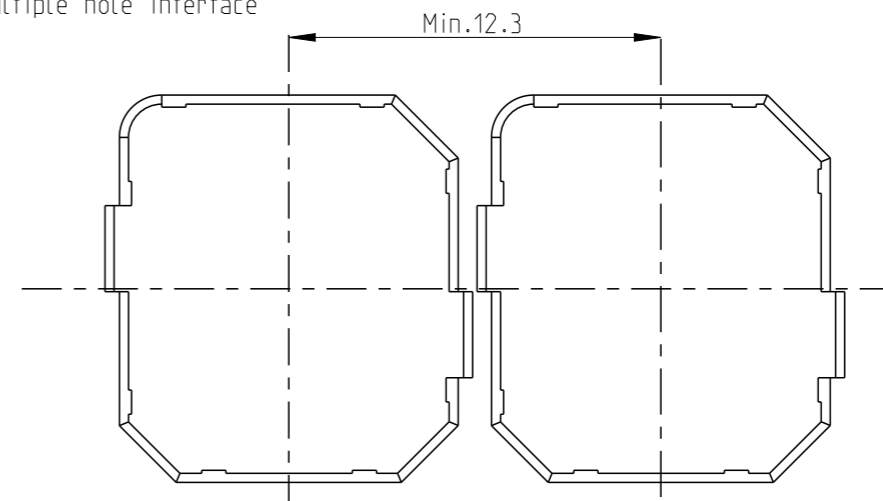
P	LTR	DESCRIPTION	DATE	DWN	APVD
B		ECR-23-184256	17AUG2023	Z.D	Z.Z

Recommend panel dimension(T=3.9mm)
Type 1: For single hole interface

Scale 4:1



Type 2: For multiple hole interface



THIS DRAWING IS A CONTROLLED DOCUMENT.

DWN	Z.Dong	20JUN2022
CHK	M.Chen	20JUN2022
APVD	Z.Zhou	20JUN2022



DIMENSIONS:		TOLERANCES UNLESS OTHERWISE SPECIFIED:	
mm			
	0 PLC	±	
	1 PLC	±0.3	
	2 PLC	±0.2	
	3 PLC	±0.1	
	4 PLC	±0.05	
	ANGLES	±	
MATERIAL	-	FINISH	-

PRODUCT SPEC	108-94818
APPLICATION SPEC	114-160691
WEIGHT	-

NAME: HEADER INSERT ASS 90 DEG

SIZE	CAGE CODE	DRAWING NO	RESTRICTED TO
A3	00779	C=2410614	-

ITEM	PART NO.	DESCRIPTION	MATERIAL	FINISH AND COLOR	Qty.
3	2386530-1	HDSCent Shield	CrNi	0.5~2.0µm Ni over Ni-Strike	1
2	2410606-1	HDSCent 90° Header HSG.	PA10T 30GF	Black	1
1	2386533-2	0.5x0.4 TAB	CuNiSi	3~6µm Ag OVER Ni	2

CUSTOMER DRAWING	SCALE 1:1	SHEET 1 OF 1	REV B
------------------	-----------	--------------	-------