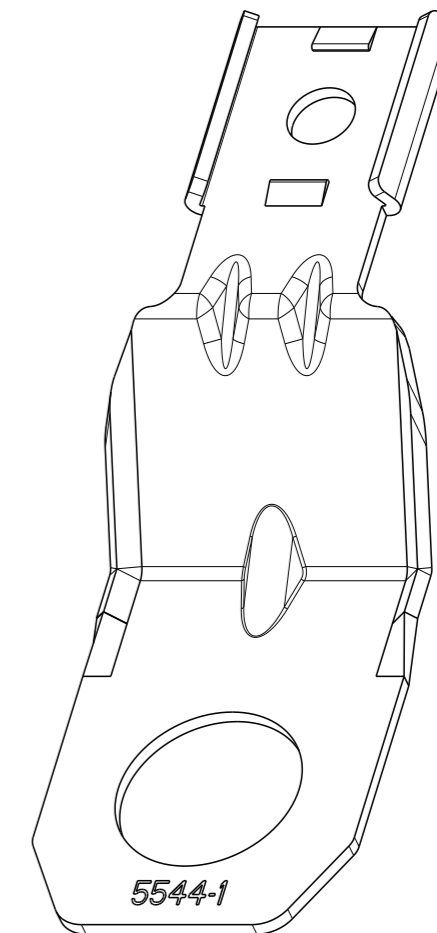
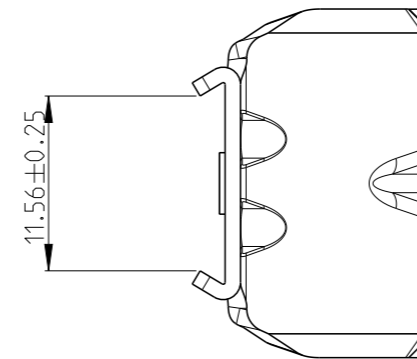
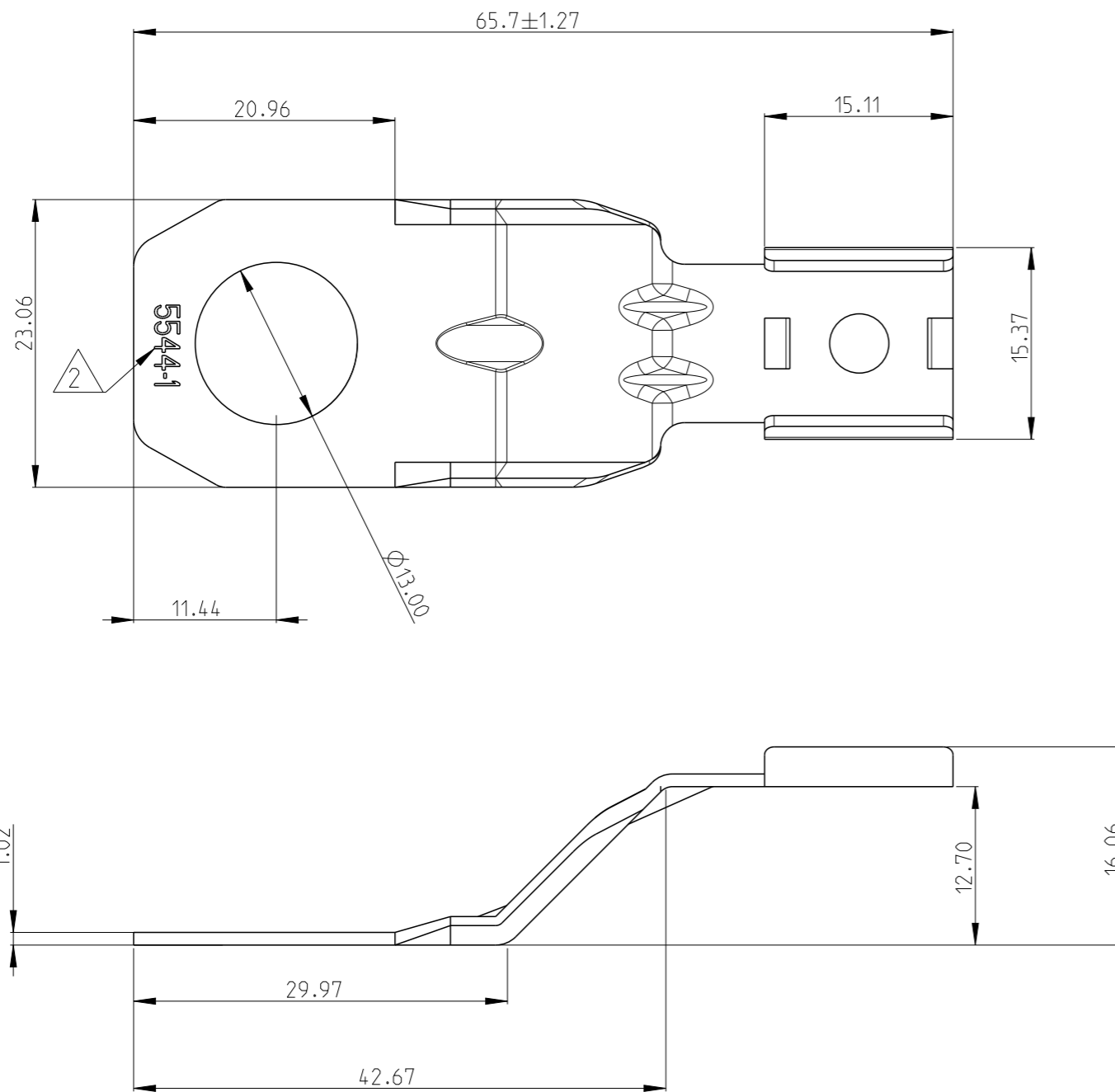


P	LTR	DESCRIPTION	DATE	DWN	APVD
	A	INITIAL RELEASE	30MAY2022	J.S	Z.Z



1. THIS PART MATES WITH DT, DTM, DTP, DTHD, DTCE RECEPTACLES OR OTHER PARTS WITH THE APPROPRIATE CLIP RETENTION FEATURE.

2 PART NUMBER MARK.

THIS DRAWING IS A CONTROLLED DOCUMENT.		DWN J.SHANG	30MAY2022														
DIMENSIONS: mm		CHK C.WAN	30MAY2022														
TOLERANCES UNLESS OTHERWISE SPECIFIED:		APVD Z.ZHOU	30MAY2022	NAME METAL CLIP SRTAIGHT MOUTING													
<table border="0"> <tr> <td>0 PLC</td> <td>±</td> </tr> <tr> <td>1 PLC</td> <td>±</td> </tr> <tr> <td>2 PLC</td> <td>±0.63</td> </tr> <tr> <td>3 PLC</td> <td>±</td> </tr> <tr> <td>4 PLC</td> <td>±</td> </tr> <tr> <td>ANGLES</td> <td>±</td> </tr> </table>		0 PLC	±	1 PLC	±	2 PLC	±0.63	3 PLC	±	4 PLC	±	ANGLES	±	PRODUCT SPEC	-	SIZE	A3
0 PLC	±																
1 PLC	±																
2 PLC	±0.63																
3 PLC	±																
4 PLC	±																
ANGLES	±																
MATERIAL STAINLESS STEEL		FINISH PASSIVAT	APPLICATION SPEC	-	CAGE CODE	00779											
		WEIGHT	10.2g	DRAWING NO	C=2415544												
		CUSTOMER DRAWING		RESTRICTED TO	-												
		SCALE	2:1	SHEET	1 OF 1	REV											
				A													