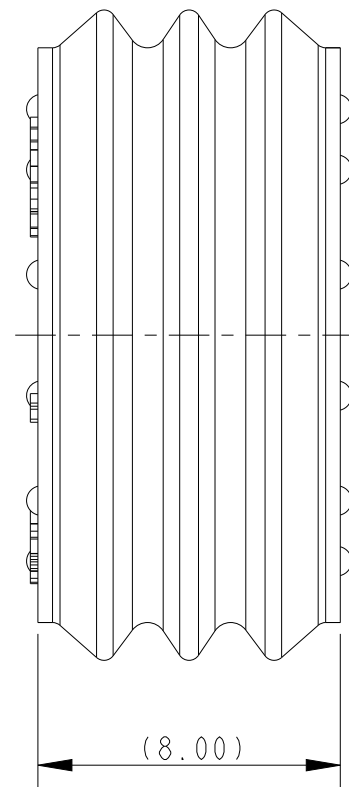
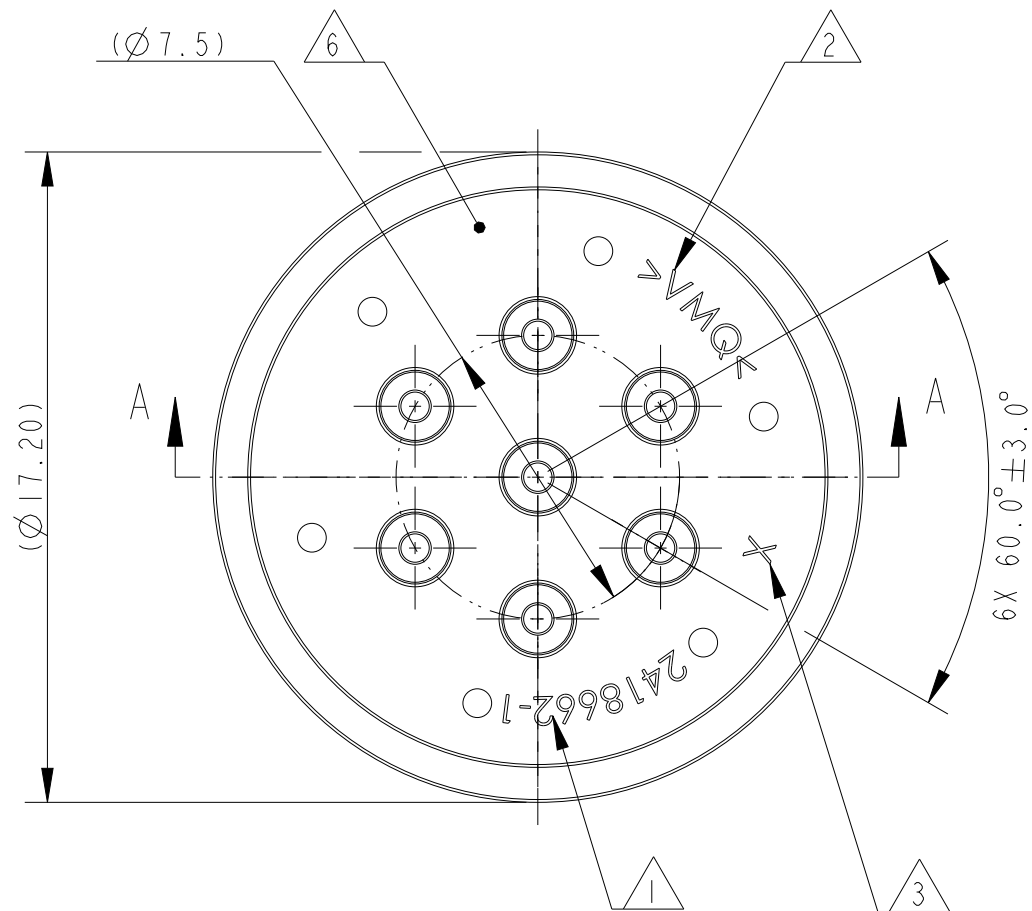


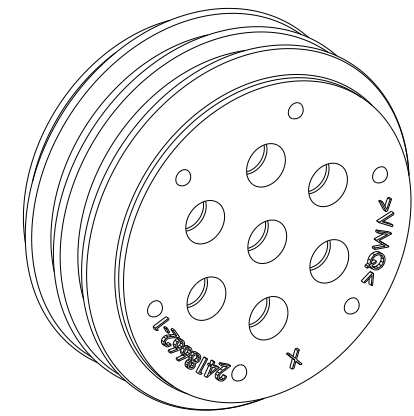
AS SHOWN
2418662-1



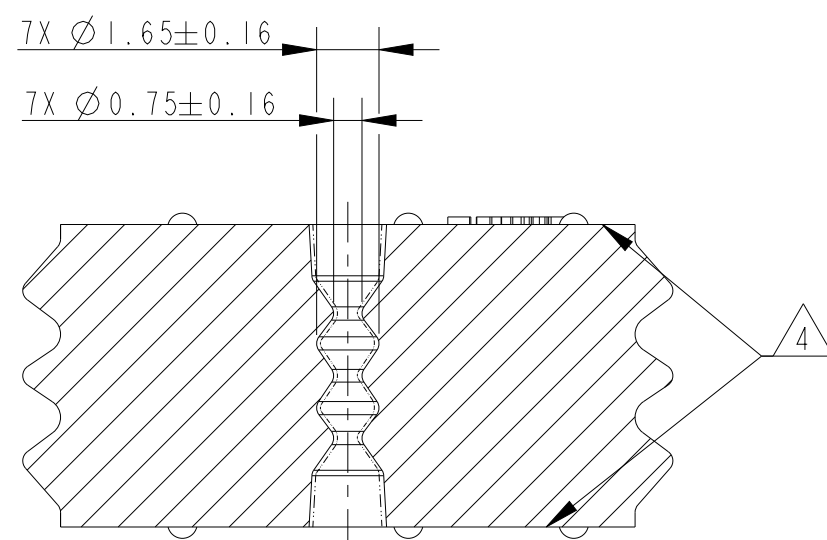
NOTES

- 1 TE-SINGLE PART NUMBER.
- 2 MATERIAL MARKING.
- 3 CAVITY MARKING IF MULTIPLE CAVITY TOOL
- 4 APPROXIMATE LOCATION OF PARTING LINE
- 5 USE WIRE INSULATION O.D. RANGE OF 1.10 mm TO 1.60mm.
- 6 REVISION MARKINGS (A=NO DOT, B=1 DOT, ETC) TO APPEAR IN THIS LOCATION
- 7 PART DIMENSIONS SHOWN ARE IN PART'S FREE STATE CONDITION.
- 8 BULK PACKAGING IN PLASTIC BAG AND CORRUGATED SHIPPING BOX

SCALE 3:1



SECTION A-A



BROWN	VMQ	1.97	GROMMET SEAL, 7 WIRE	A	2418662-1
COLOR	MATERIAL	WEIGHT(g)	DESCRIPTION	REV	TE PART NO.

THIS DRAWING IS A CONTROLLED DOCUMENT.		DWN SRAVANI N S 09JUN2022																
DIMENSIONS: mm		CHK ABHIJIT SUKUMAR 09JUN2022																
		APVD KASHYAP P B 09JUN2022																
TOLERANCES UNLESS OTHERWISE SPECIFIED.		NAME GROMMET SEAL																
<table border="1"> <tr><td>0 PLC</td><td>±</td></tr> <tr><td>1 PLC</td><td>±0.5</td></tr> <tr><td>2 PLC</td><td>±0.13</td></tr> <tr><td>3 PLC</td><td>±0.013</td></tr> <tr><td>4 PLC</td><td>±0.0001</td></tr> <tr><td>ANGLES</td><td>±</td></tr> </table>		0 PLC	±	1 PLC	±0.5	2 PLC	±0.13	3 PLC	±0.013	4 PLC	±0.0001	ANGLES	±	PRODUCT SPEC 108-94900	SIZE A3	CAGE CODE 00779	DRAWING NO C-2418662	RESTRICTED TO -
0 PLC	±																	
1 PLC	±0.5																	
2 PLC	±0.13																	
3 PLC	±0.013																	
4 PLC	±0.0001																	
ANGLES	±																	
MATERIAL SEE TABLE		APPLICATION SPEC 114-94734	SCALE 5:1		SHEET 1 OF 1	REV A1												
-		WEIGHT -	CUSTOMER DRAWING		-													