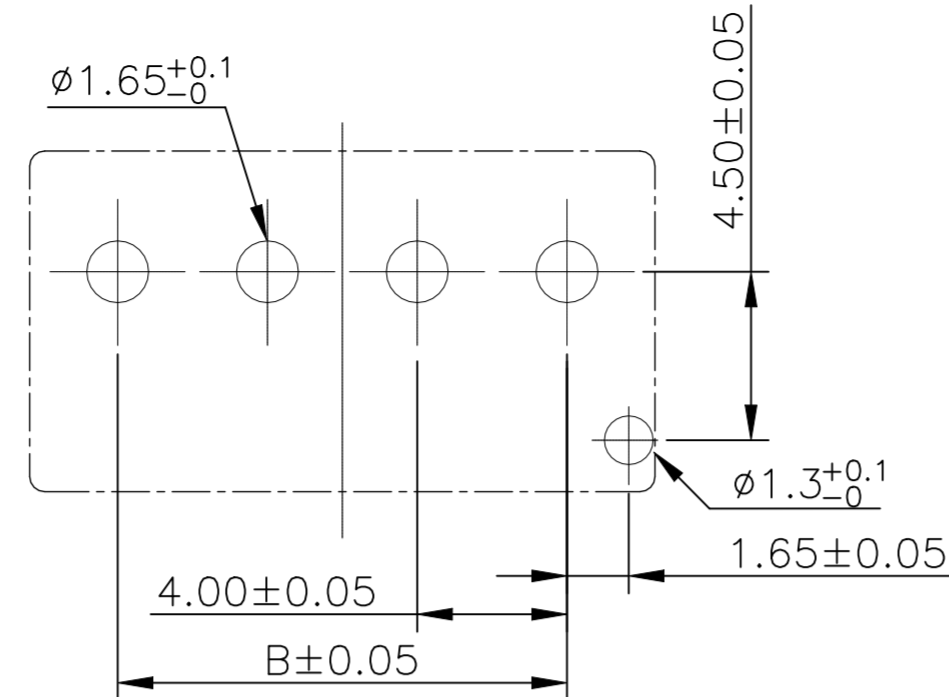
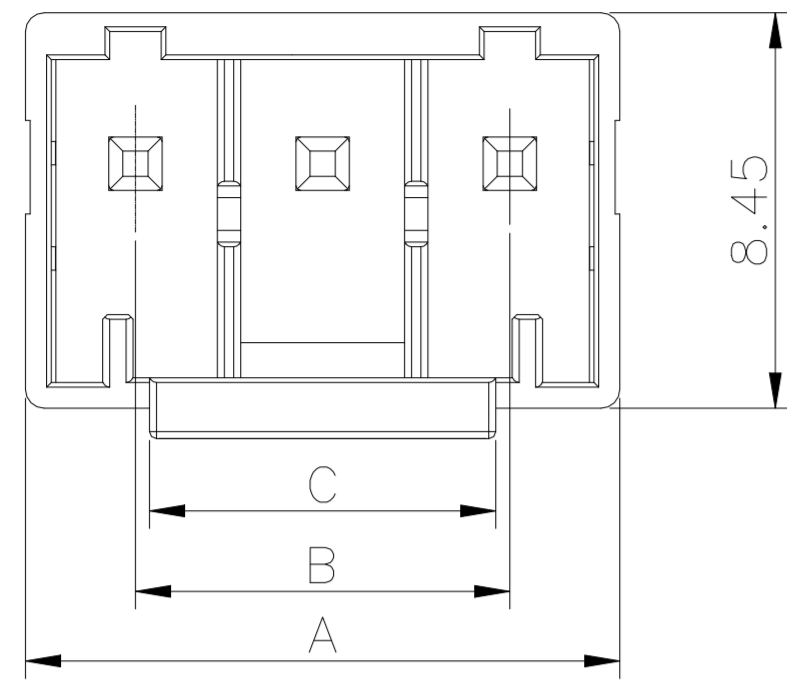
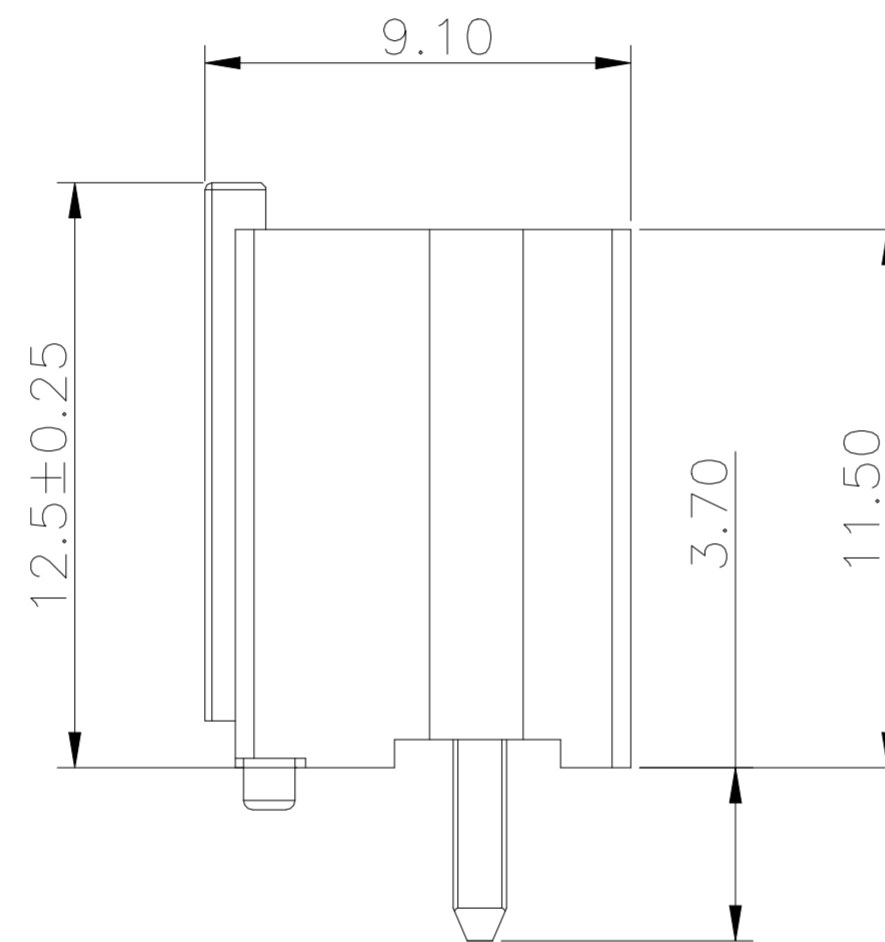
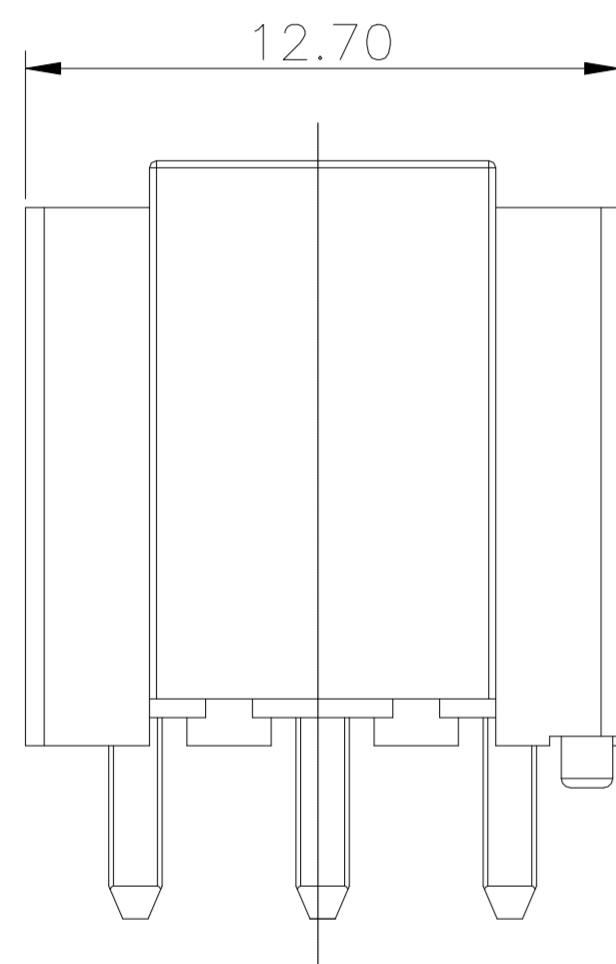
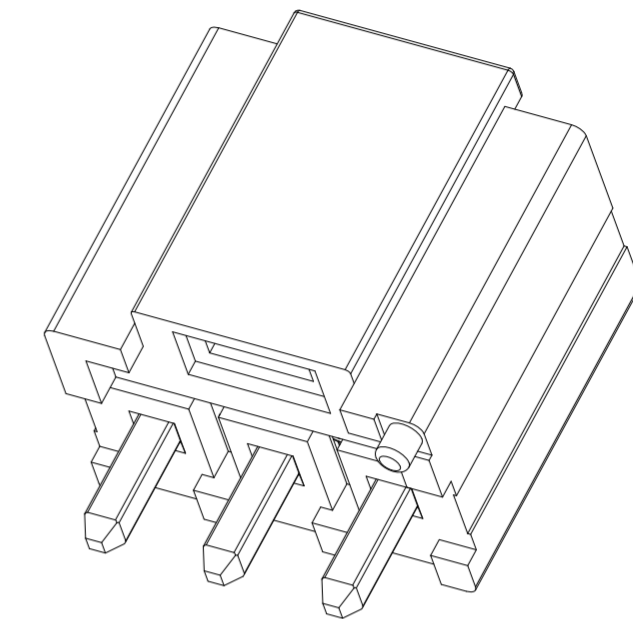
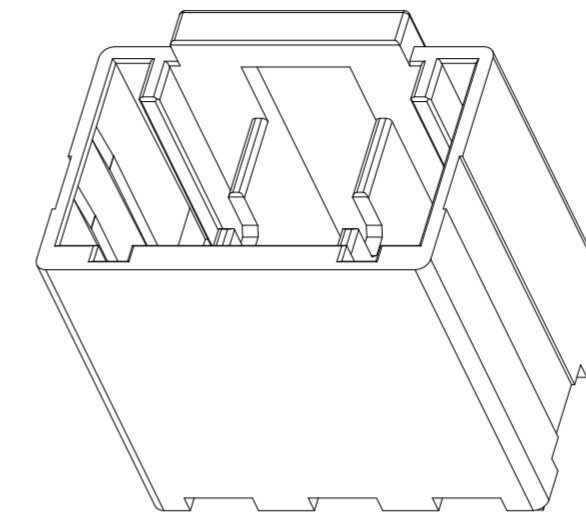


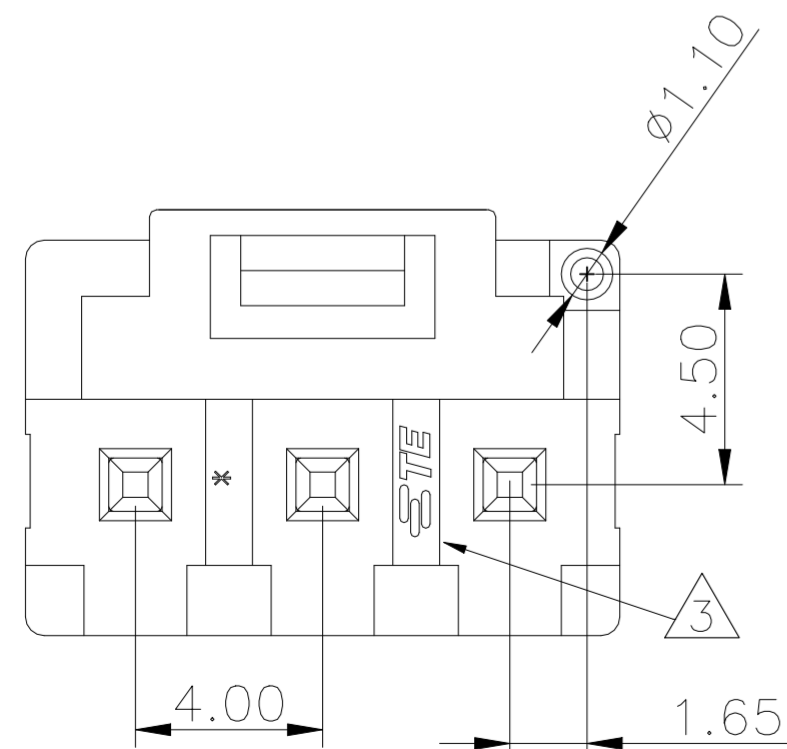
REVISIONS					
P	LTR	DESCRIPTION	DATE	DWN	APVD
A1		ADD PCB LAYOUT	23AUG2023	C.K	H.L



P.C.B LAYOUT



CIRCUITS	COLOUR	KEYING	P/N	DIMENSIONS(mm)		
				A	B	C
2	Light blue	A	2423324-2	8.7	4.0	5.75
	Yellow	B	2-2423324-2	8.7	4.0	5.75
	Red	C	3-2423324-2	8.7	4.0	5.75
3	Light blue	A	2423324-3	12.7	8.0	7.4
	Yellow	B	2-2423324-3	12.7	8.0	7.4
	Red	C	3-2423324-3	12.7	8.0	7.4
3(omit#2)	Light blue	A	4-2423324-3	12.7	8.0	7.4
	Yellow	B	5-2423324-3	12.7	8.0	7.4
	Red	C	6-2423324-3	12.7	8.0	7.4
4	Light blue	A	2423324-4	16.7	12.0	9.4
	Yellow	B	2-2423324-4	16.7	12.0	9.4
	Red	C	3-2423324-4	16.7	12.0	9.4
5	Light blue	/	2423324-5	20.7	16.0	8.8
5(omit#3)	Light blue	/	1-2423324-5	20.7	16.0	8.8



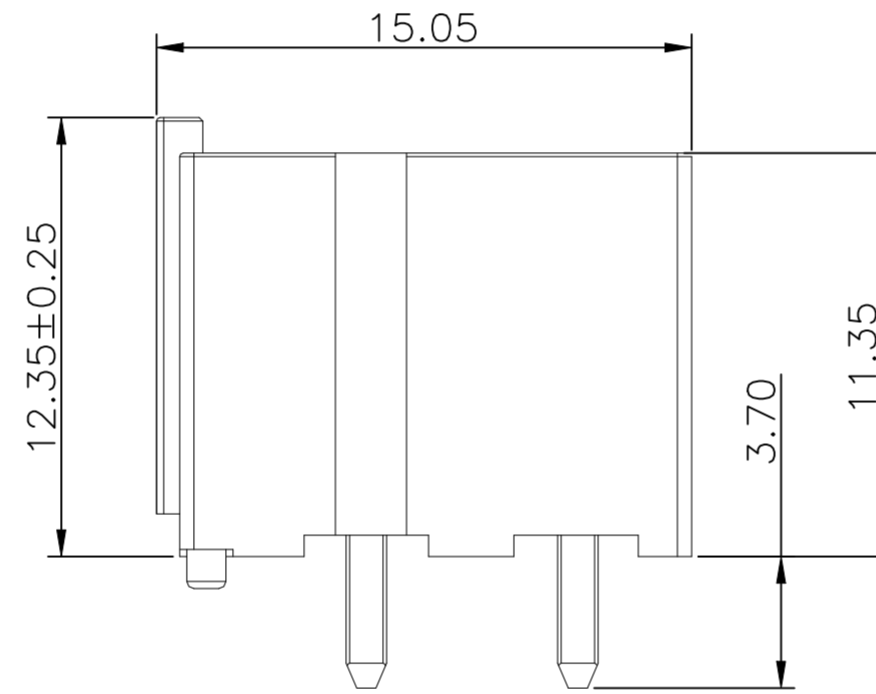
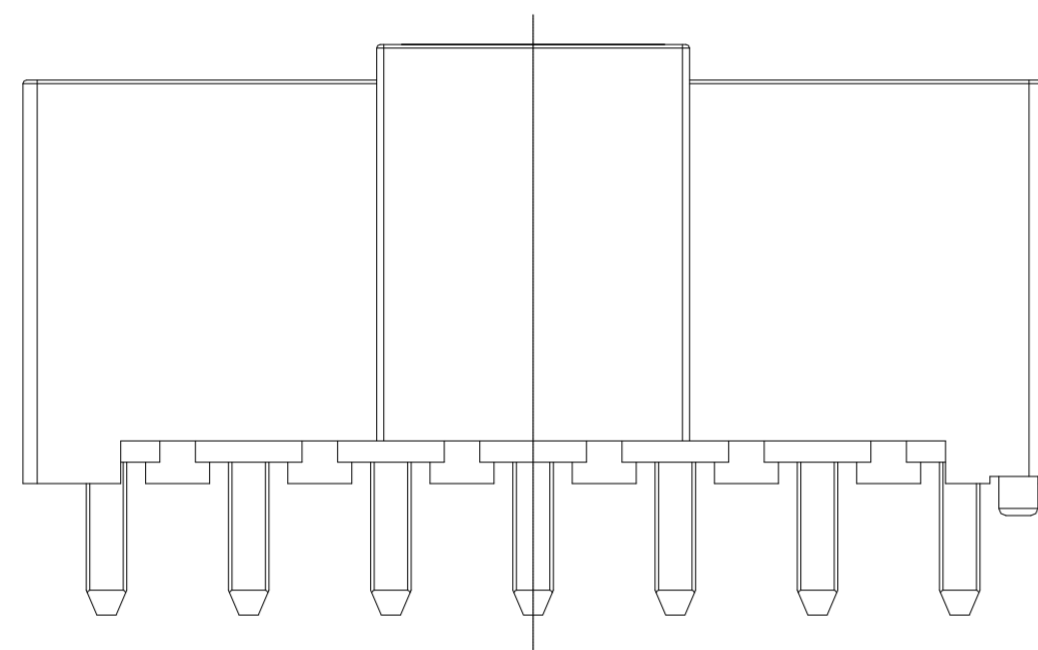
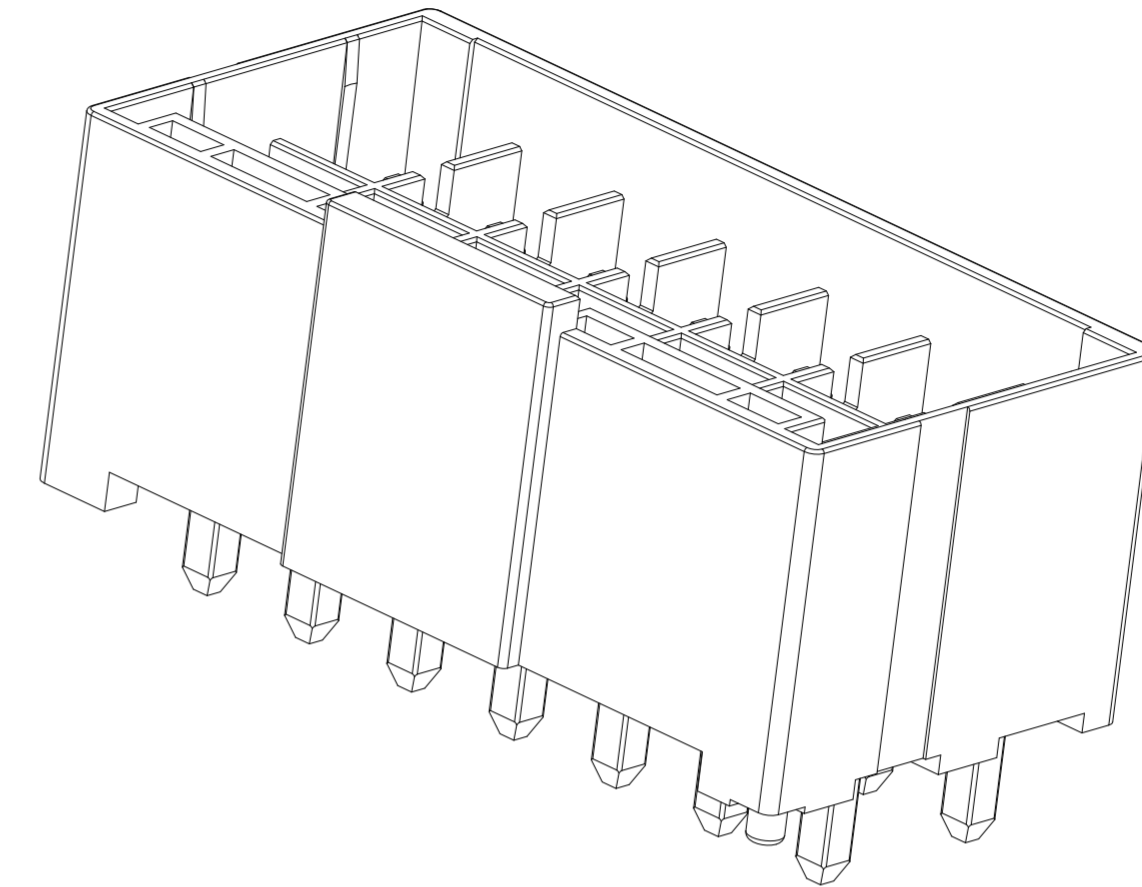
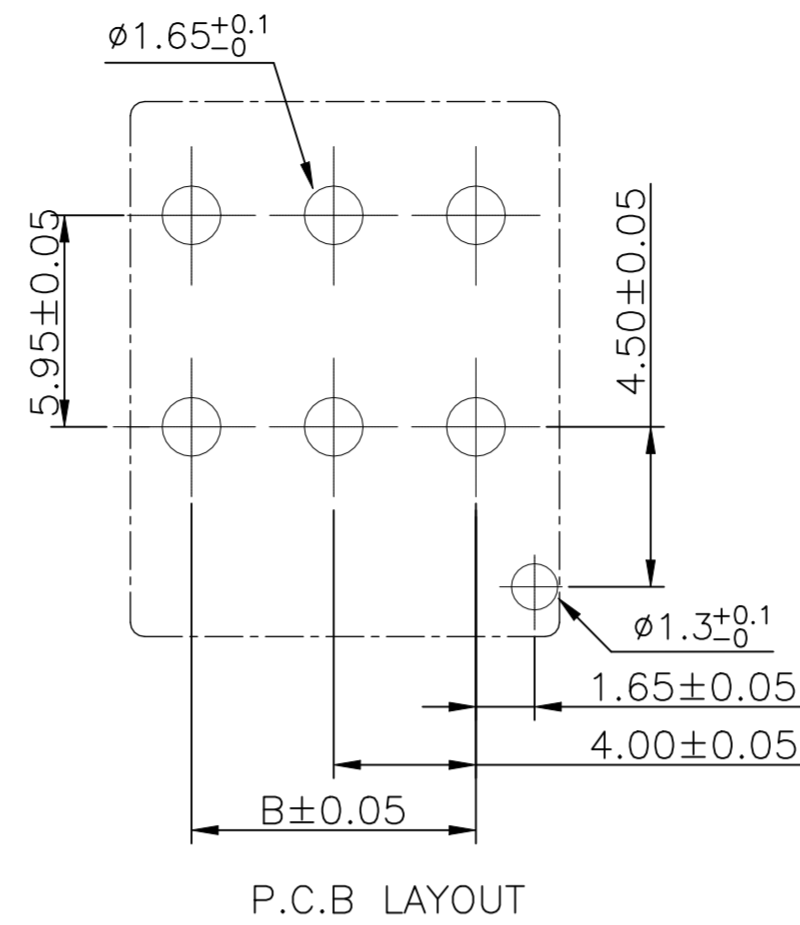
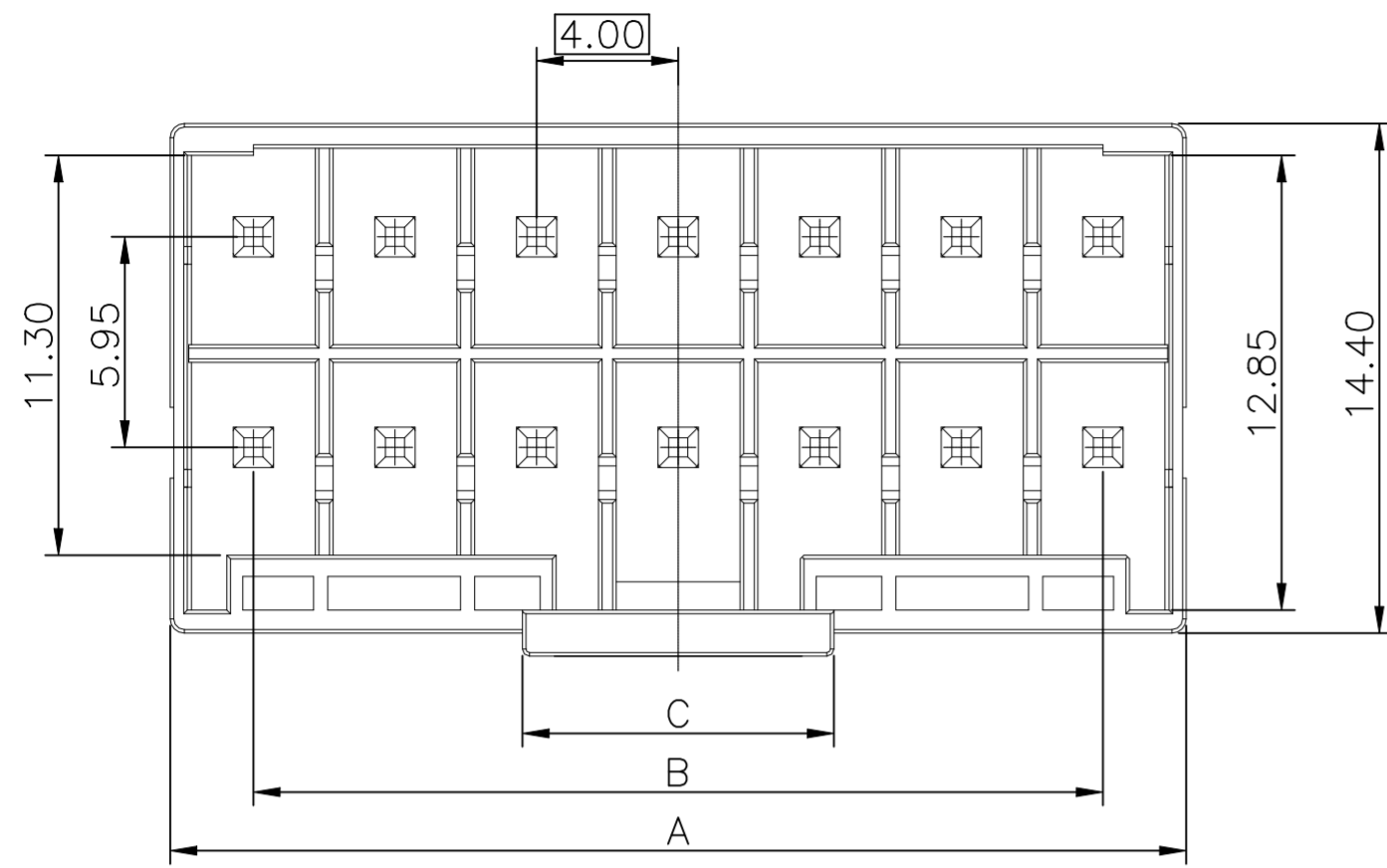
NOTES:

- MATERIAL:  
HOUSING: PBT UL94V-0.  
PIN: COPPER ALLOY
- MATING PARTS:  
PLUG HOUSING: X-2420266-X,  
SOCKET CONTACT: X-2420268-X.

TRADE MARK : TE

THIS DRAWING IS A CONTROLLED DOCUMENT.		DWN JONE_JI 10JUN2022	TE Connectivity Ltd.	
DIMENSIONS: mm		CHK NIKI_SHI 10JUN2022		
TOLERANCES UNLESS OTHERWISE SPECIFIED:		APVD NIKI_SHI 10JUN2022	NAME HCI 4.0 PITCH WTB HEADER	
0 PLC ± - 1 PLC ± 0.30 2 PLC ± 0.20 3 PLC ± - 4 PLC ± - ANGLES ± -		PRODUCT SPEC 108-160771	RESTRICTED TO	
MATERIAL		APPLICATION SPEC 114-160464	SIZE A2	CAGE CODE 00779
FINISH		WEIGHT -	DRAWING NO C=2423324	SCALE N.T.S.
CUSTOMER DRAWING			SHEET 1 of 5	REV A1

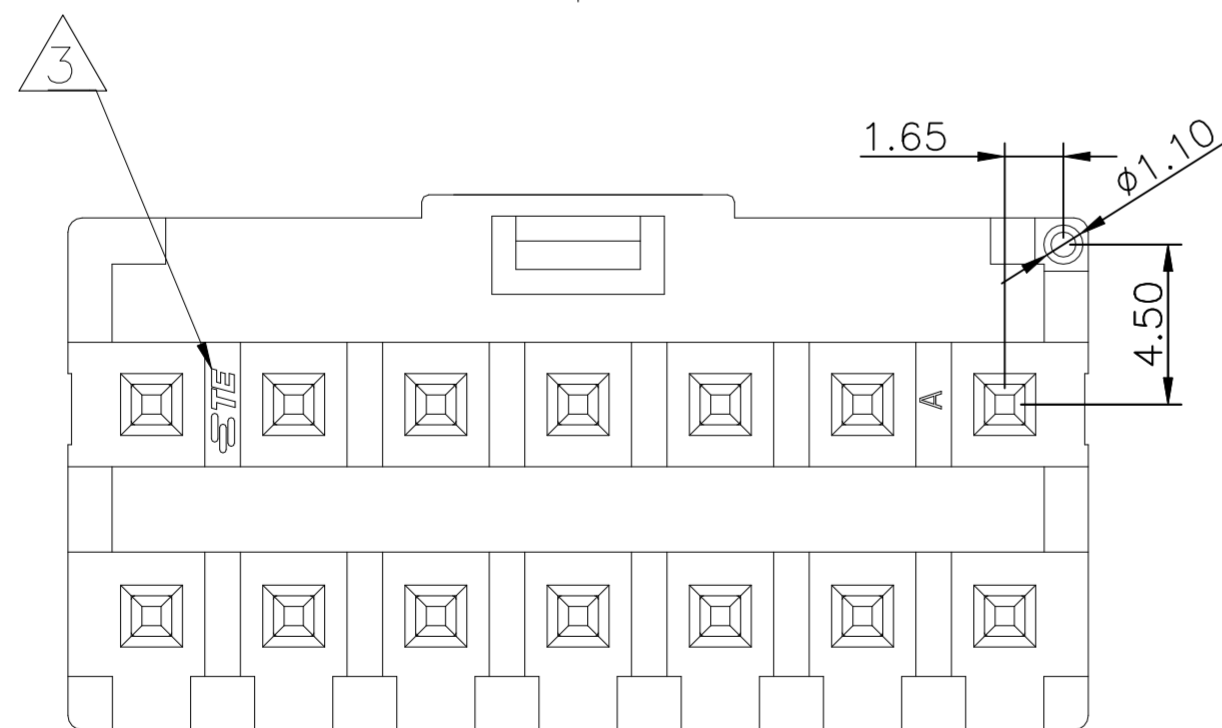
P	LTR	DESCRIPTION	DATE	DWN	APVD
-	-	SEE SHEET 1	-	-	-



NOTES:

- MATERIAL:  
HOUSING: PBT UL94V-0.  
PIN: COPPER ALLOY
- MATING PARTS:  
PLUG HOUSING: X-2420266-X,  
SOCKET CONTACT: X-2420268-X.

TRADE MARK : TE



CIRCUITS	COLOUR	KEYING	P/N	DIMENSIONS(mm)		
				A	B	C
6(2*3)	Light blue	/	2423324-6	12.7	8.0	7.4
8(2*4)	Light blue	/	2423324-8	16.7	12.0	9.4
10(2*5)	Light blue	/	1-2423324-0	20.7	16.0	8.8
12(2*6)	Light blue	/	1-2423324-2	24.7	20.0	8.8
14(2*7)	Light blue	/	1-2423324-4	28.7	24.0	8.8

THIS DRAWING IS A CONTROLLED DOCUMENT.		DWN JONE JI 10JUN2022	TE Connectivity Ltd.	
DIMENSIONS: mm		CHK NIKI SHI 10JUN2022		
TOLERANCES UNLESS OTHERWISE SPECIFIED:		APVD NIKI SHI 10JUN2022	NAME HCI 4.0 PITCH WTB HEADER	
0 PLC ± -		PRODUCT SPEC	-	
1 PLC ± 0.3		APPLICATION SPEC	-	
2 PLC ± 0.2		WEIGHT	-	
3 PLC ± -		SIZE	A2	
4 PLC ± -		CAGE CODE	00779	
ANGLES ± -		DRAWING NO	C=2423324	
FINISH		RESTRICTED TO	-	
MATERIAL		CUSTOMER DRAWING	SCALE	N.T.S.
		SHEET	2 of 5	
		REV	A1	

P	LTR	DESCRIPTION	DATE	DWN	APVD
-	-	SEE SHEET 1	-	-	-

TYPE A

TYPE B

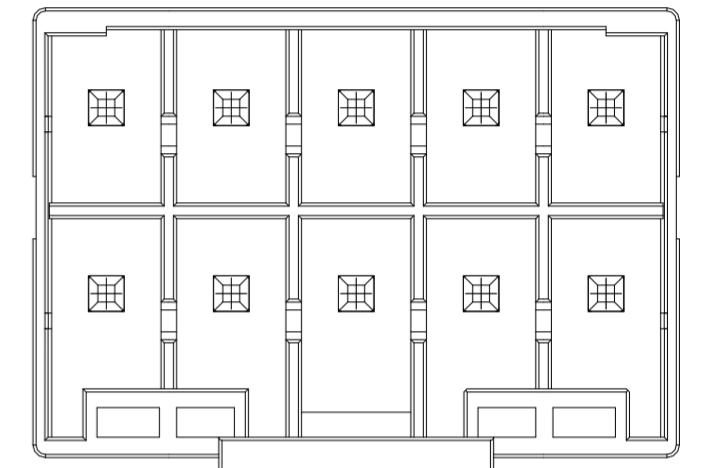
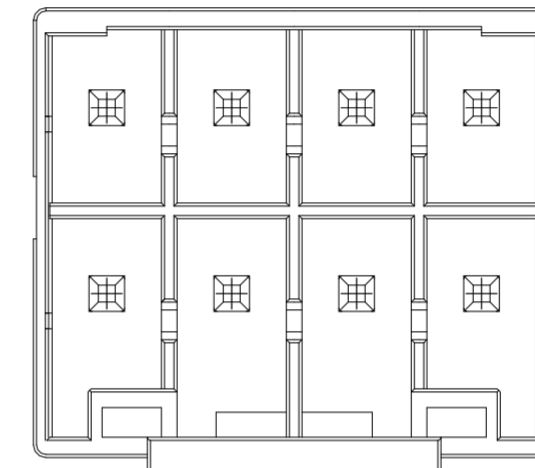
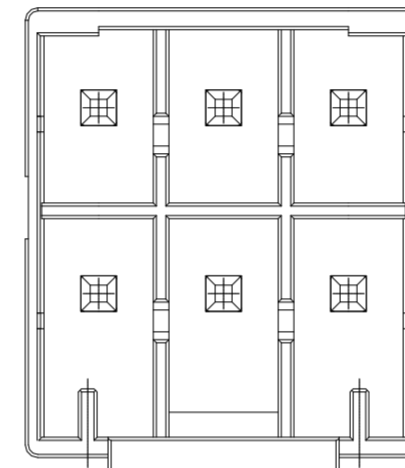
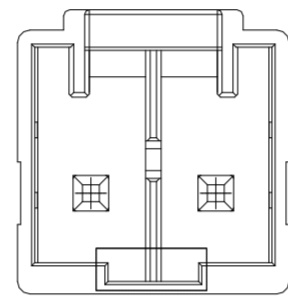
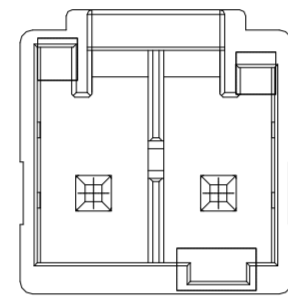
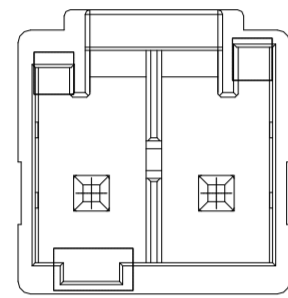
TYPE C

6P

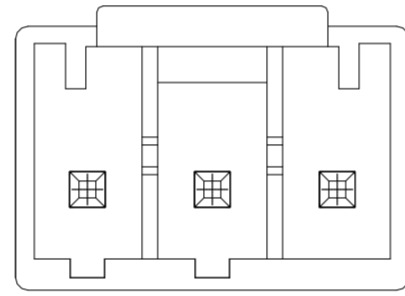
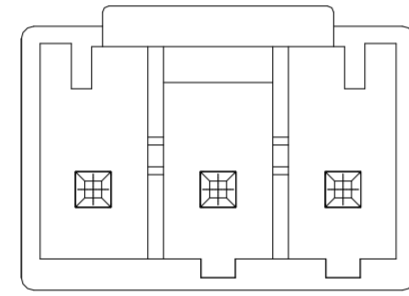
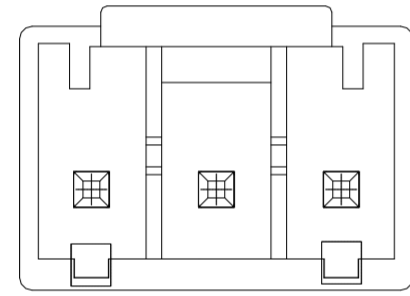
8P

10P

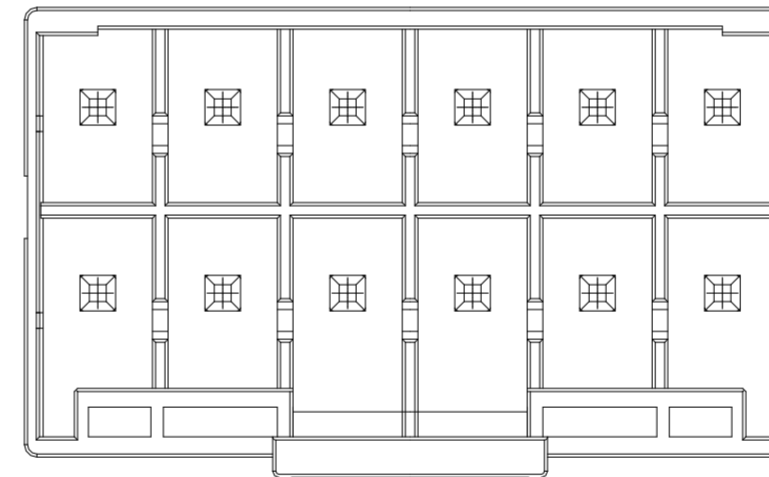
2P



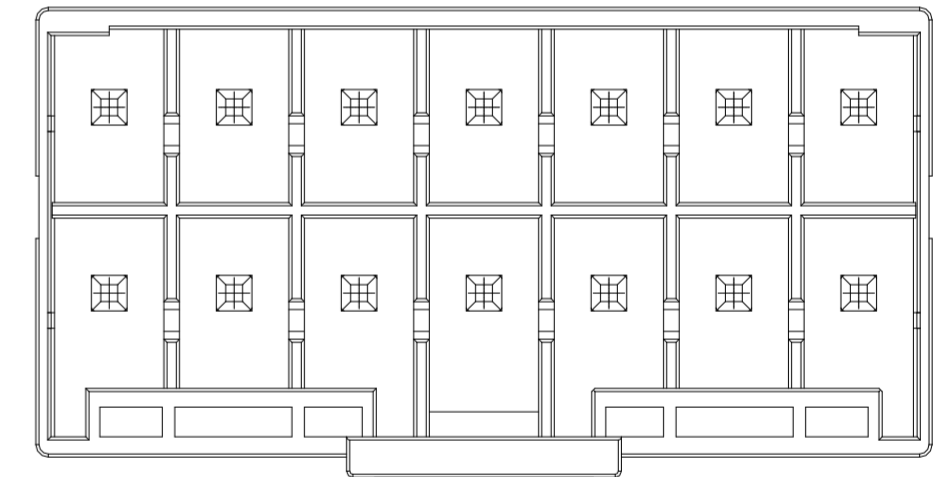
3P



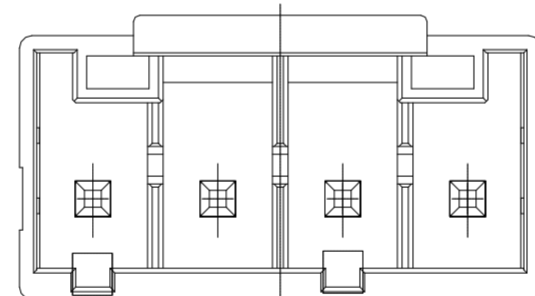
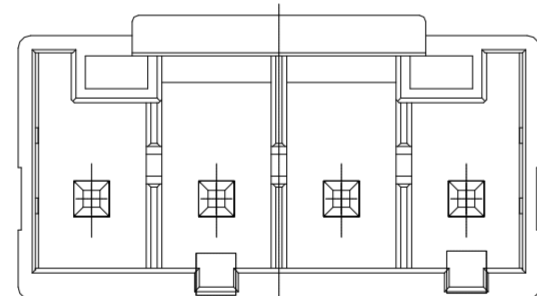
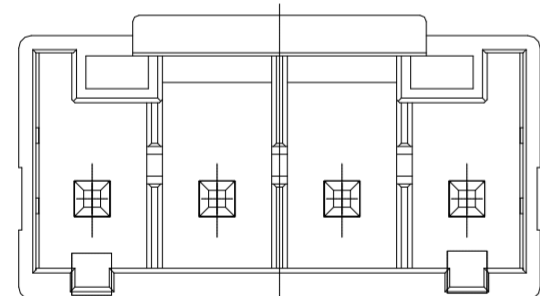
12P



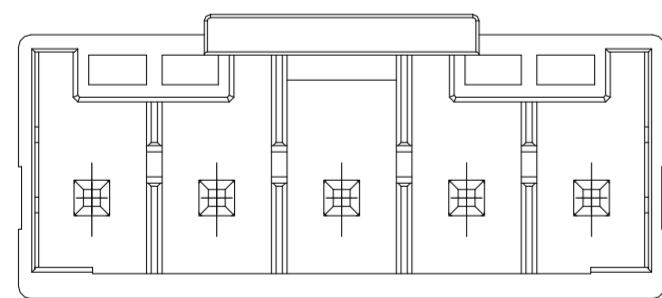
14P



4P



5P



2423324

THIS DRAWING IS A CONTROLLED DOCUMENT.		DWN JONE_JI 10JUN2022	TE Connectivity Ltd.	
DIMENSIONS: mm		CHK NIKI_SHI 10JUN2022		
TOLERANCES UNLESS OTHERWISE SPECIFIED:		APVD NIKI_SHI 10JUN2022	NAME HCI 4.0 PITCH WTB HEADER	
0 PLC ± - 1 PLC ± 0.3 2 PLC ± 0.2 3 PLC ± - 4 PLC ± - ANGLES ± - FINISH -		PRODUCT SPEC -	SIZE A2	CAGE CODE 00779
MATERIAL -		APPLICATION SPEC -	DRAWING NO C=2423324	RESTRICTED TO -
		WEIGHT -	SCALE N.T.S.	SHEET 3 of 5
		CUSTOMER DRAWING	REV A1	

REVISIONS					
P	LTR	DESCRIPTION	DATE	DWN	APVD
-	-	SEE SHEET 1	-	-	-

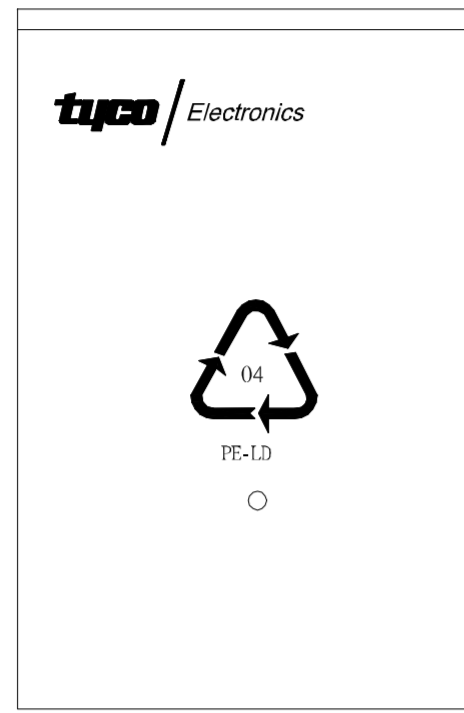


FIGURE 1

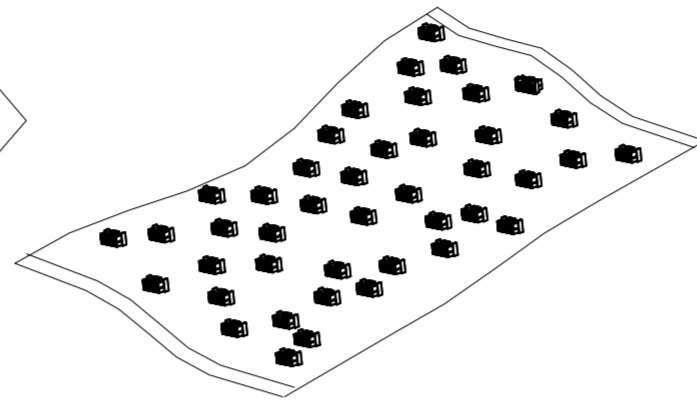
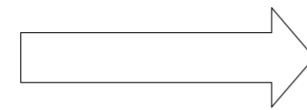


FIGURE 2

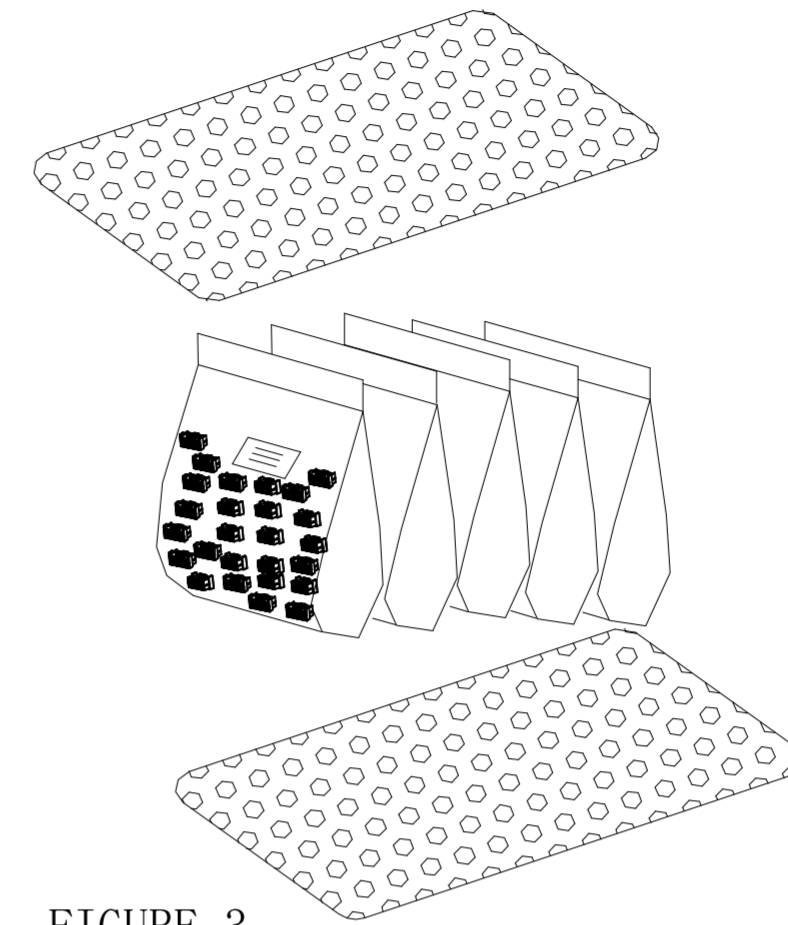
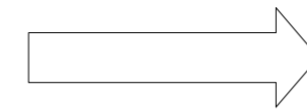


FIGURE 3

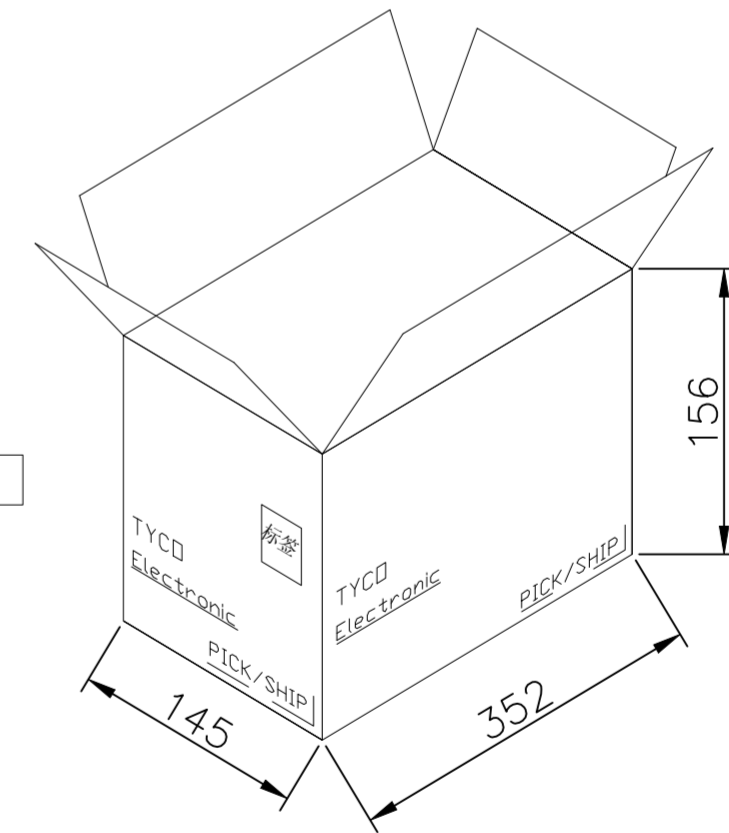
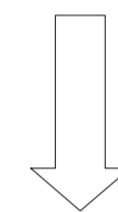


FIGURE 4

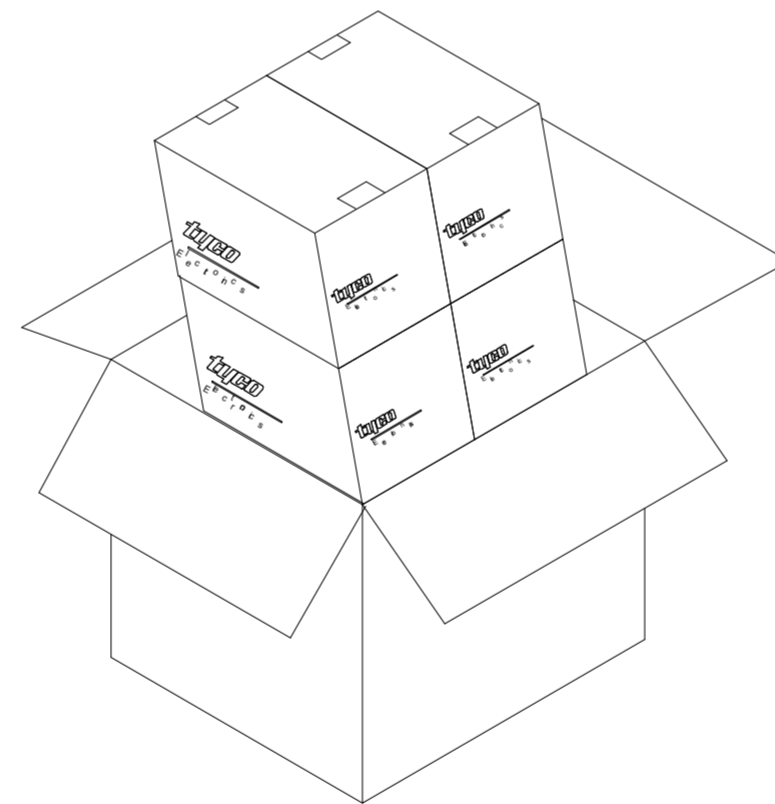
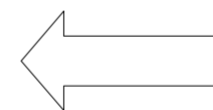


FIGURE 5

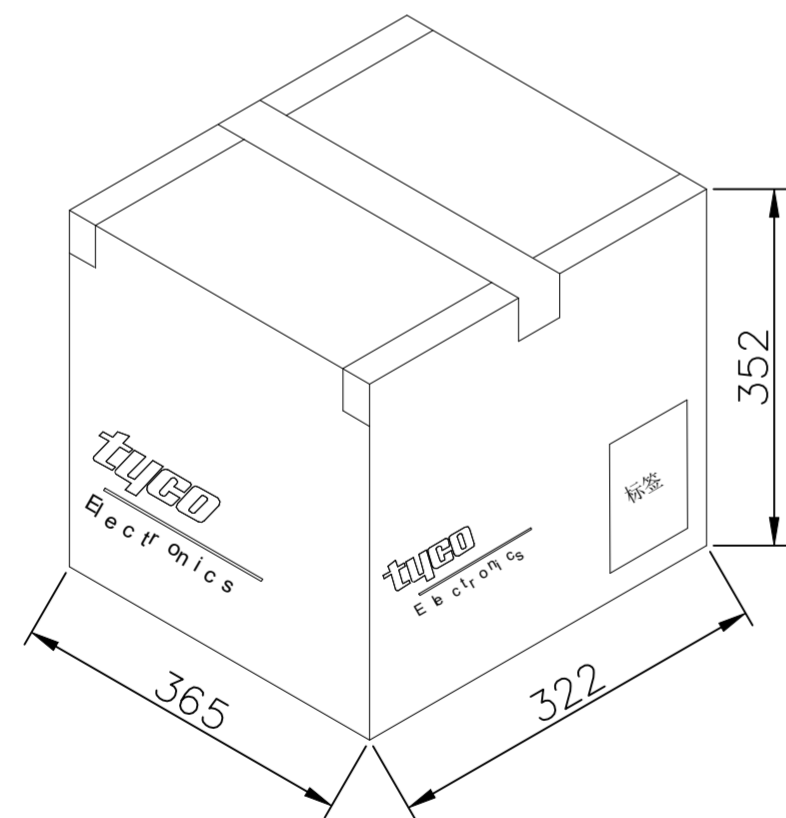


FIGURE 6


THIS DRAWING IS A CONTROLLED DOCUMENT.		DWN JONE_JI 10JUN2022	TE Connectivity Ltd.	
DIMENSIONS: mm		CHK NIKI_SHI 10JUN2022		
		APVD NIKI_SHI 10JUN2022	NAME HCI 4.0 PITCH WTB HEADER	
TOLERANCES UNLESS OTHERWISE SPECIFIED:		PRODUCT SPEC 108-160771	-	
0 PLC ± -		APPLICATION SPEC 114-160464	-	
1 PLC ± 0.30		WEIGHT -	SIZE A2	CAGE CODE 00779
2 PLC ± 0.20		FINISH -	DRAWING NO C=2423324	
3 PLC ± -			RESTRICTED TO -	
4 PLC ± -		CUSTOMER DRAWING		SCALE N.T.S.
ANGLES ± -		SHEET 4 of 5		REV A1

P	LTR	DESCRIPTION	DATE	DWN	APVD
-		SEE SHEET 1	-	-	-

# PACKAGE LIST

TE P/N	PE BAG	Q' TY	Q' TY/BOX
X-2423324-2	400 PCS	2000 PCS	8000 PCS
X-2423324-3	300 PCS	1500 PCS	6000 PCS
X-2423324-4	200 PCS	1000 PCS	4000 PCS
X-2423324-5	200 PCS	1000 PCS	4000 PCS
X-2423324-6	200 PCS	1000 PCS	4000 PCS
X-2423324-8	200 PCS	1000 PCS	4000 PCS
1-2423324-0	150 PCS	750 PCS	3000 PCS
1-2423324-2	100 PCS	500 PCS	2000 PCS
1-2423324-4	100 PCS	500 PCS	2000 PCS

2423324

THIS DRAWING IS A CONTROLLED DOCUMENT.		DWN JONE JI 10JUN2022	 TE Connectivity Ltd.	
DIMENSIONS: mm		CHK NIKI SHI 10JUN2022		
TOLERANCES UNLESS OTHERWISE SPECIFIED:		APVD NIKI SHI 10JUN2022	NAME HCI 4.0 PITCH WTB HEADER	
0 PLC ± - 1 PLC ± 0.30 2 PLC ± 0.20 3 PLC ± - 4 PLC ± - ANGLES ± -		PRODUCT SPEC 108-160771	RESTRICTED TO	
MATERIAL		APPLICATION SPEC 114-160464	SIZE A2	CAGE CODE 00779
FINISH		WEIGHT -	DRAWING NO C=2423324	SCALE N.T.S.
CUSTOMER DRAWING			SHEET 5 of 5	REV A1