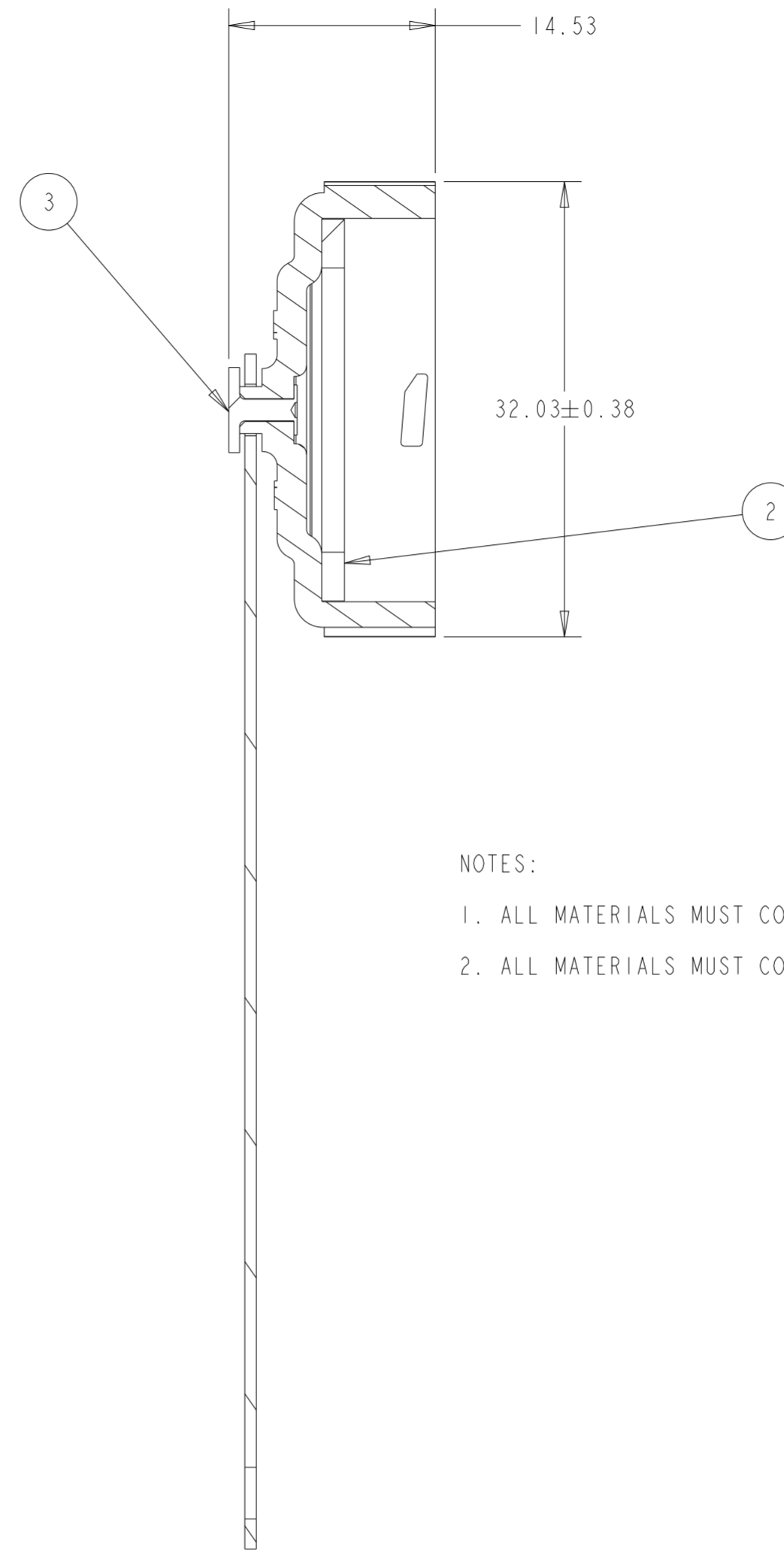
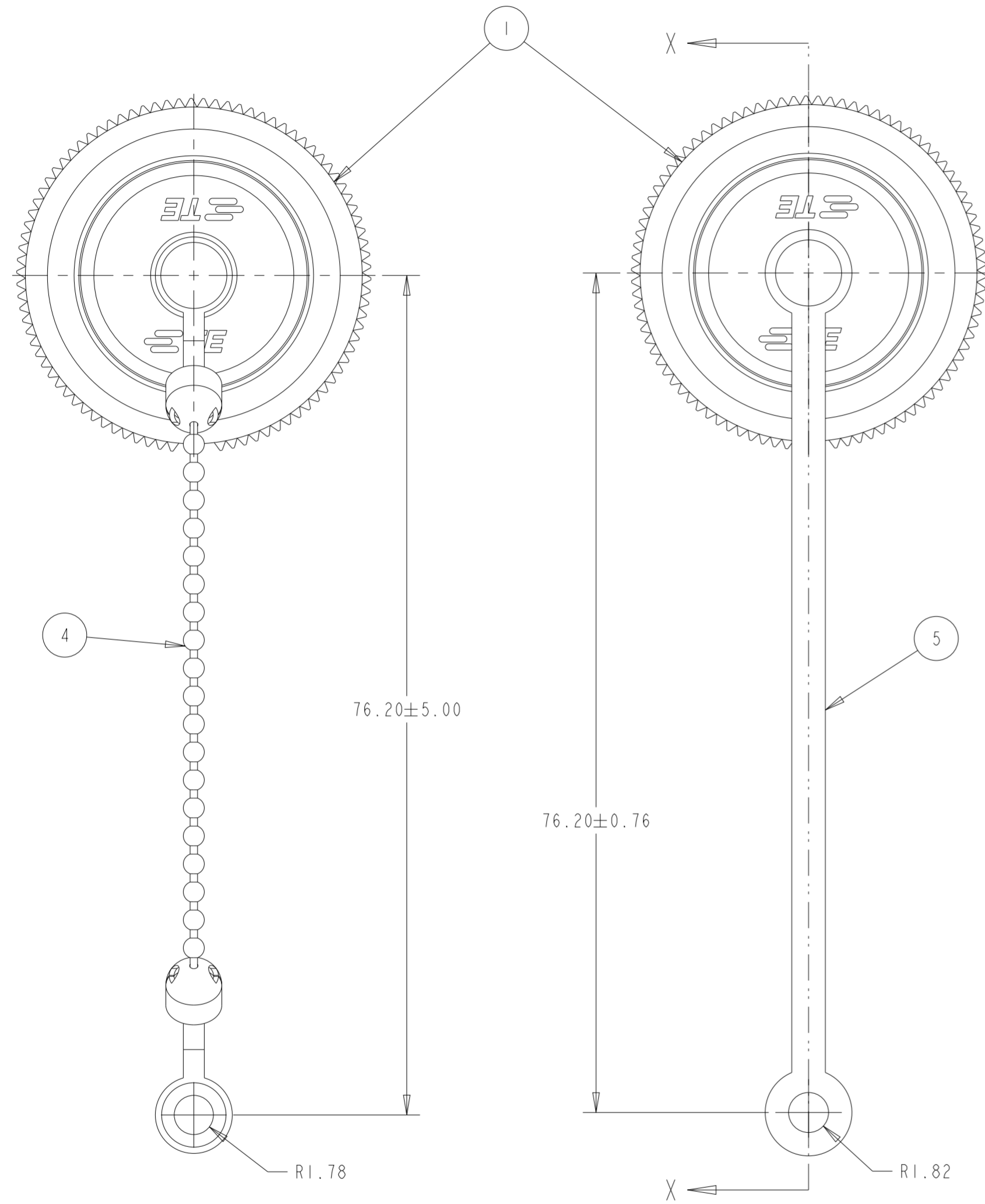


P	LTR	DESCRIPTION	DATE	DWN	APVD
A		REVISED PER ECN-24-253840	28FEB2024	RK	MM



NOTES:

1. ALL MATERIALS MUST COMPLY WITH DIRECTIVE 2011/65/EU AND ITS AMENDMENTS (ROHS)
2. ALL MATERIALS MUST COMPLY WITH REGULATION (EC) NO 1907/2006 (REACH)

2423641-2 SHOWN

2423641-1 SHOWN

SECTION X-X

-2 QTY	-1 QTY	MATERIAL	DESCRIPTION	ITEM NO.
-	1	THERMOPLASTIC COLOR: BLACK	MOUNTING STRAP	5
1	-	BRASS FINISH: NICKEL PLATE	BEAD CHAIN	4
1	1	CARBON STEEL FINISH: ZINC PLATE W/ CLEAR CHROMATE	RIVET	3
1	1	SILICONE RUBBER	SEALING GASKET	2
1	1	THERMOPLASTIC COLOR: BLACK	SEALING CAP	1

THIS DRAWING IS A CONTROLLED DOCUMENT.

DIMENSIONS:	TOLERANCES UNLESS OTHERWISE SPECIFIED:
mm	
	0 PLC ±
	1 PLC ±
	2 PLC ±0.13
	3 PLC ±
	4 PLC ±
	ANGLES ±
	FINISH ±
MATERIAL	SEE TABLE

DWN	23 JUN 2023
CHK	A. WESTBROOK
CHK	R. PAUL
APVD	23 JUN 2023
APVD	M. MOSTOLLER
PRODUCT SPEC	-
APPLICATION SPEC	-
WEIGHT	-
CUSTOMER DRAWING	-

STE TE Connectivity			
NAME SEALING CAP ASSEMBLY, SIZE 17, SERIES 5 AND 6, WITH LANYARD, CPC			
SIZE	CAGE CODE	DRAWING NO	RESTRICTED TO
A2	00779	C-2423641	-
SCALE	SHEET	OF	REV
5:2	1	1	A