

4

3

2

1

© 2022 TE Connectivity. All Rights Reserved.

REVISIONS

Drawing number	TE PN	TE descriptive PN	IP	Operating Force	Life Cycle
2425753	2425753-1	Ultraminiature 2.0x3.0 tactile, 160gf	67	160 ± 50 gf	500,000
	2425753-2	Ultraminiature 2.0x3.0 tactile, 240gf	67	240 ± 70 gf	500,000

P	LTR	DESCRIPTION	DATE	DWN	APVD
	A	INITIAL RELEASE	08NOV2022	BB	DM

SPECIFICATIONS:

MATERIALS:

CASE: PA9T UL94HB

ACTUATOR: PA9T

COVER: PA9T.

MOVING CONTACT: STAINLESS STEEL Ag Clad

FIXED CONTACT/TERMINAL: PHOSPHOR BRONZE Ag PLATING

ELECTRICAL:

CONTACT RATING: 20mA @15V DC.

CONTACT RESISTANCE: 500mΩ MAX.

INSULATION RESISTANCE: 50MΩ MIN. @100V DC.

DIELECTRIC STRENGTH: 250V AC FOR 1 MINUTE.

LIFE EXPECTANCY: SEE P/N TABLE.

MECHANICAL:

ACTUATOR FORCE: SEE P/N TABLE.

ACTUATOR TRAVEL: 0.13±0.05mm

LIFE EXPECTANCY: SEE P/N TABLE.

ENVIRONMENTAL:

OPERATING TEMPERATURE: -40°C TO 85°C.

STORAGE TEMPERATURE: -40°C TO 85°C.

SOLDERABILITY: REFLOW: 150-200°C. 120±20SEC. FOR PERHEAT, PEAK

TEMP. 260°C, TEMP. AREA 217°C 90-120 SEC.

MANUAL: SOLDERING TEMP. 350°C, SOLDERING TIME 3 SEC.

NOTES:

1. DIMENSION IN MILLIMETERS

2. GENERAL TOLERANCE ± 0.3mm

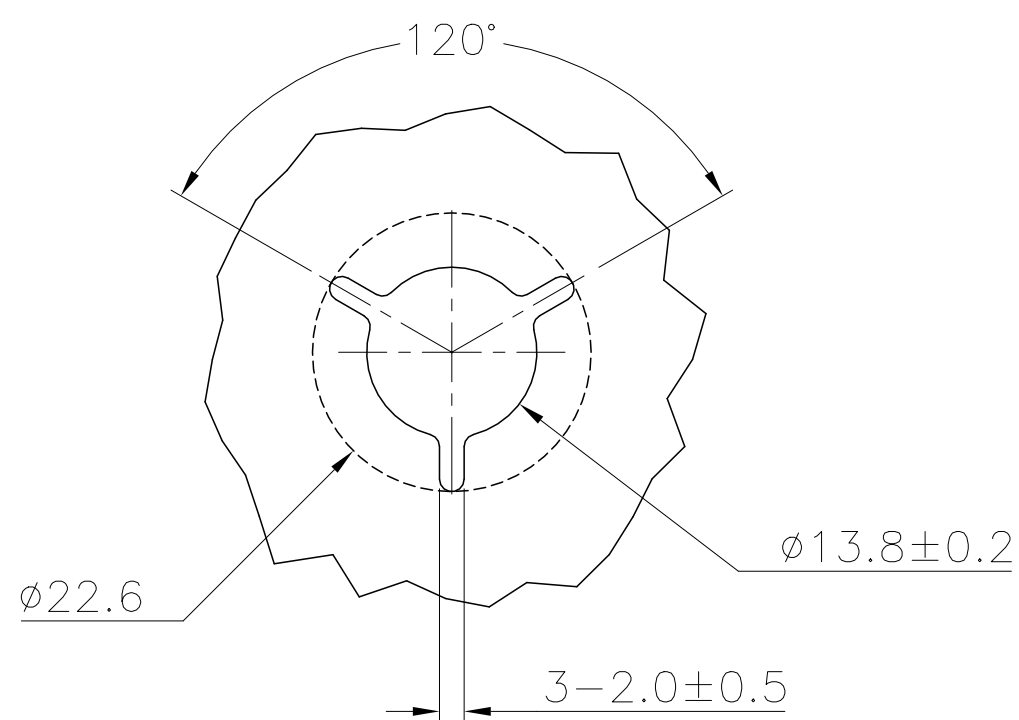
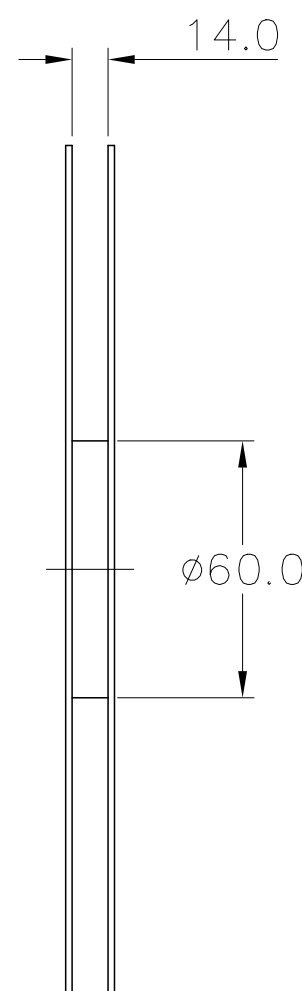
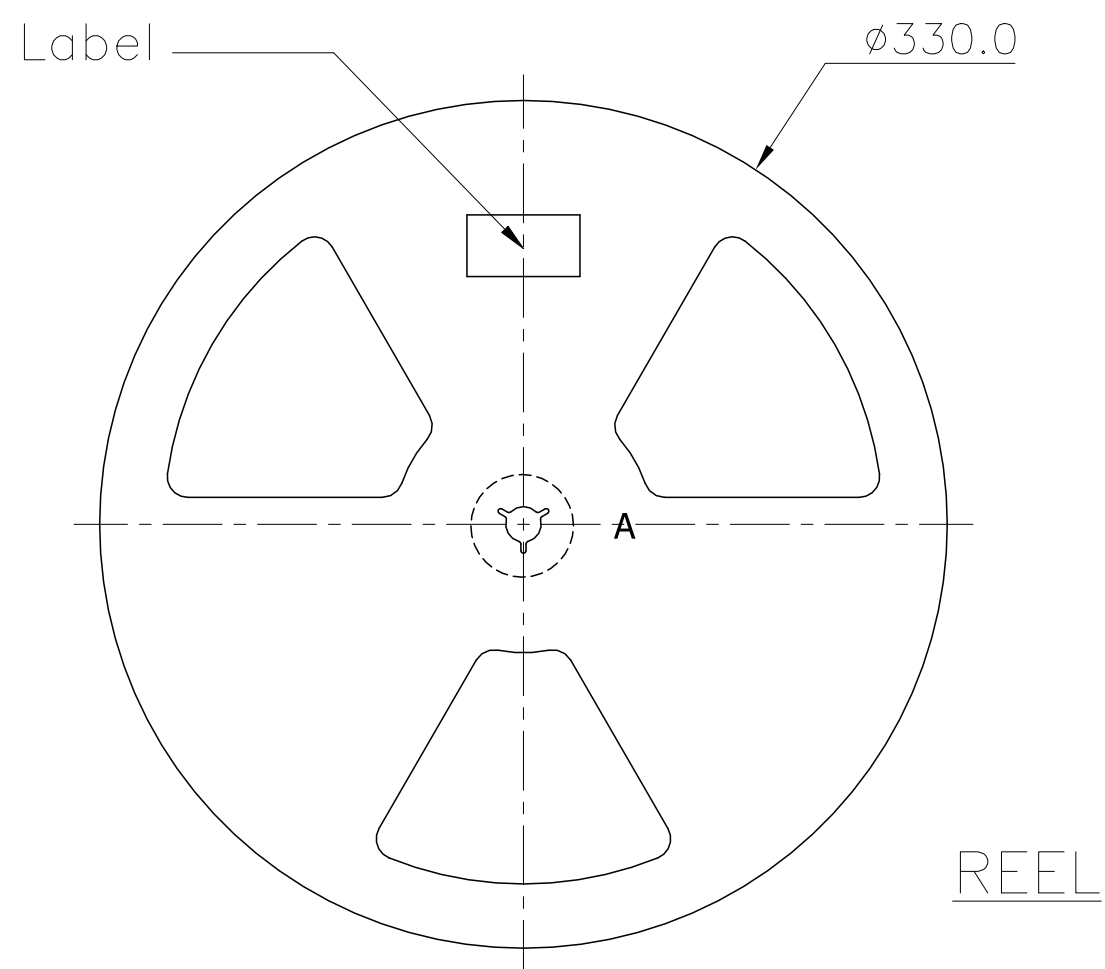
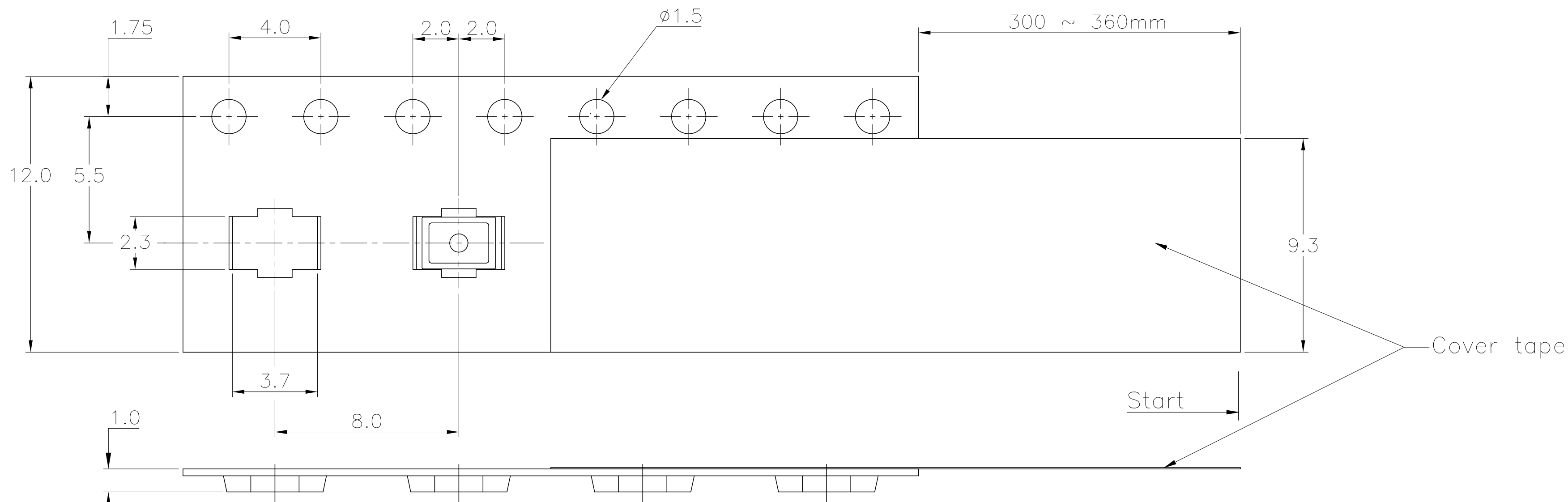
PCB SOLDER LAND DIMENSIONS

THIS DRAWING IS A CONTROLLED DOCUMENT.		DWN	08NOV2022	TE Connectivity	
DIMENSIONS: mm		CHK	08NOV2022	NAME Ultraminiature 2.0x3.0 tactile	
TOLERANCES UNLESS OTHERWISE SPECIFIED:		APVD	08NOV2022		
0 PLC ± -		DAVID MALDONADO		SIZE	
1 PLC ± -		DAVID MALDONADO		CAGE CODE	
2 PLC ± -		DAVID MALDONADO		DRAWING NO	
3 PLC ± -		DAVID MALDONADO		RESTRICTED TO	
4 PLC ± -		DAVID MALDONADO		A2 00779	
ANGLES ± -		DAVID MALDONADO		C=2425753	
MATERIAL		FINISH		WEIGHT	
-		-		-	
CUSTOMER DRAWING				SCALE	NTS
				SHEET	1 of 2
				REV	A

1471-9 (1/15)

2425753

REVISIONS					
P	LTR	DESCRIPTION	DATE	DWN	APVD
-	-	SEE SHEET 1	-	-	-



Packing Specification		
Non-Pocket Portion	Trailer Portion	200mm [10 Pocket min.]
	Leader Portion	[10 Pocket min.]
S/W Packing Q'TY		8,500 pcs

THIS DRAWING IS A CONTROLLED DOCUMENT.		DWN BALAJI, B 08NOV2022	TE Connectivity																			
DIMENSIONS: mm		CHK DAVID MALDONADO 08NOV2022																				
TOLERANCES UNLESS OTHERWISE SPECIFIED:		APVD DAVID MALDONADO 08NOV2022	NAME Ultraminiature 2.0x3.0 tactile																			
<table border="0"> <tr><td>0 PLC</td><td>±</td><td>-</td></tr> <tr><td>1 PLC</td><td>±</td><td>-</td></tr> <tr><td>2 PLC</td><td>±</td><td>-</td></tr> <tr><td>3 PLC</td><td>±</td><td>-</td></tr> <tr><td>4 PLC</td><td>±</td><td>-</td></tr> <tr><td>ANGLES</td><td>±</td><td>-</td></tr> </table>		0 PLC	±	-	1 PLC	±	-	2 PLC	±	-	3 PLC	±	-	4 PLC	±	-	ANGLES	±	-	PRODUCT SPEC	RESTRICTED TO	
0 PLC	±	-																				
1 PLC	±	-																				
2 PLC	±	-																				
3 PLC	±	-																				
4 PLC	±	-																				
ANGLES	±	-																				
MATERIAL		APPLICATION SPEC	SIZE A2	CAGE CODE 00779																		
FINISH		WEIGHT	DRAWING NO C=2425753	SCALE NTS																		
		CUSTOMER DRAWING	SHEET 2 OF 2	REV A																		