

REVISIONS					
P	LTR	DESCRIPTION	DATE	DWN	APVD
	3	PRODUCTION ISSUE	05FEB2019	PNT	MT

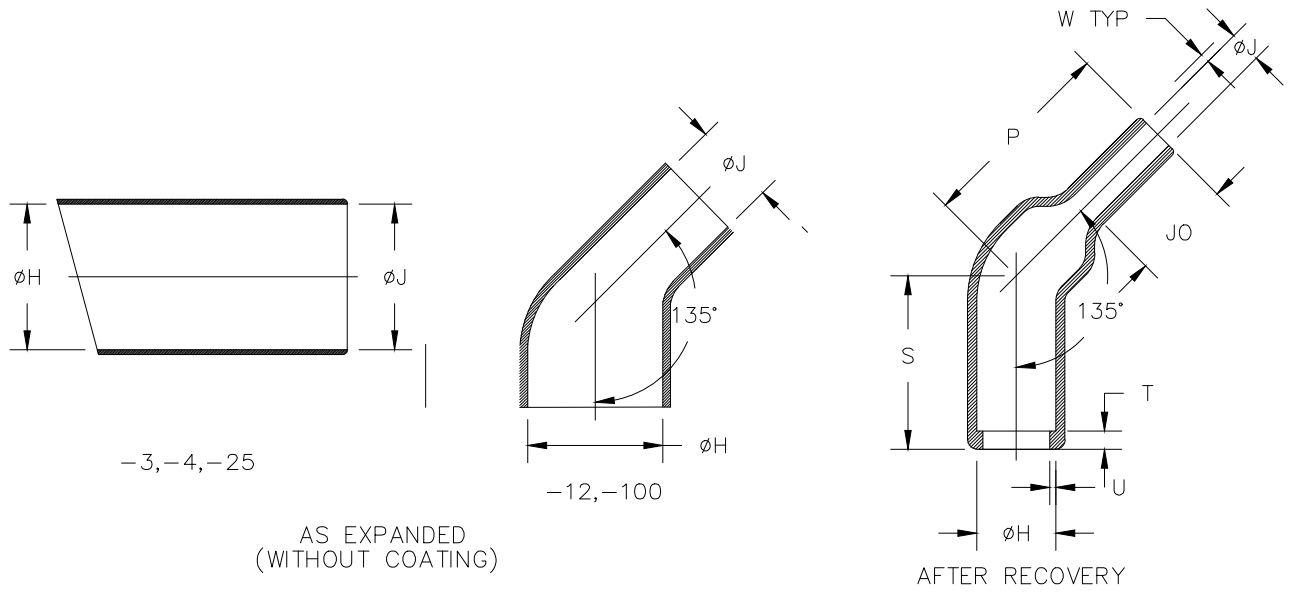


TABLE 1: FOR -3,-4,-25

PART DESCRIPTION	H		J		P	S	T	U	JO	W
	MIN a	MAX b	MIN a	MAX b	±10% b	±10% b	±10% b	±10% b	±10% b	±20% b
242W042	<u>31</u> [1.22]	<u>17.9</u> [0.70]	<u>31</u> [1.22]	<u>7.0</u> [0.28]	<u>55</u> [2.17]	<u>35</u> [1.38]	<u>3.5</u> [0.14]	<u>2.0</u> [0.08]	<u>25</u> [0.98]	<u>1.8</u> [0.07]
242W053	<u>36</u> [1.42]	<u>22.1</u> [0.87]	<u>36</u> [1.42]	<u>8.4</u> [0.33]	<u>60</u> [2.36]	<u>40</u> [1.57]	<u>3.5</u> [0.14]	<u>2.0</u> [0.08]	<u>30</u> [1.18]	<u>2.0</u> [0.08]
242W063	<u>43</u> [1.69]	<u>27.9</u> [1.10]	<u>43</u> [1.69]	<u>9.9</u> [0.39]	<u>65</u> [2.56]	<u>45</u> [1.77]	<u>3.5</u> [0.14]	<u>2.0</u> [0.08]	<u>35</u> [1.38]	<u>2.2</u> [0.09]

TABLE 1: FOR -12,-100 MATERIAL

PART DESCRIPTION	H		J		P	S	T	U	JO	W
	MIN a	MAX b	MIN a	MAX b	±10% b	±10% b	±10% b	±10% b	±10% b	±20% b
242W042	<u>31</u> [1.22]	<u>17.9</u> [0.70]	<u>18</u> [0.71]	<u>7.0</u> [0.28]	<u>55</u> [2.17]	<u>35</u> [1.38]	<u>3.5</u> [0.14]	<u>2.0</u> [0.08]	<u>25</u> [0.98]	<u>1.8</u> [0.07]
242W053	<u>36</u> [1.42]	<u>22.1</u> [0.87]	<u>21</u> [0.83]	<u>8.4</u> [0.33]	<u>60</u> [2.36]	<u>40</u> [1.57]	<u>3.5</u> [0.14]	<u>2.0</u> [0.08]	<u>30</u> [1.18]	<u>2.0</u> [0.08]
242W063	<u>43</u> [1.69]	<u>27.9</u> [1.10]	<u>25</u> [0.98]	<u>9.9</u> [0.39]	<u>65</u> [2.56]	<u>45</u> [1.77]	<u>3.5</u> [0.14]	<u>2.0</u> [0.08]	<u>35</u> [1.38]	<u>2.2</u> [0.09]

RELEASED FOR PUBLICATION

ALL RIGHTS RESERVED.

THIS DRAWING IS UNPUBLISHED.

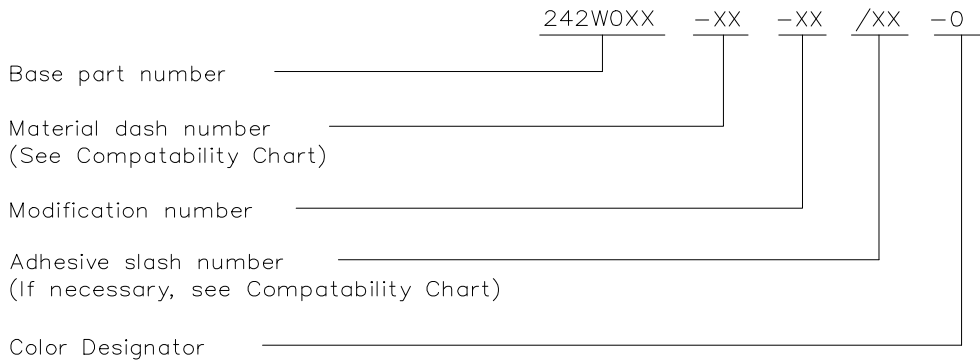
© COPYRIGHT - TE Connectivity Ltd.

DIMENSIONS: mm [INCHES]	DWN PRAVEEN N T	05FEB2019	MATERIAL SEE SHEET 2	FINISH -
	CHK N NAGAR	05FEB2019	TE Connectivity Ltd.	
TOLERANCES UNLESS OTHERWISE SPECIFIED:	APVD M TAYLOR	05FEB2019		
0 PLC ± -	PRODUCT SPEC	-	SIZE A4	
1 PLC ± -	-	-	CAGE CODE 00779	
2 PLC ± -	APPLICATION SPEC	-	DRAWING NO C-242W0XX-XX-0	
3 PLC ± -	-	-	RESTRICTED TO -	
4 PLC ± -	WEIGHT	-	SCALE DNS	
ANGLES ± -	-	-	SHEET 1 OF 2	
	CUSTOMER DRAWING	-	REV 3	

REVISIONS				
P	LTR	DESCRIPTION	DATE	APVD
	-	SEE SHEET 1	-	-

COMPATABILITY CHART				
MATERIAL DASH NO.	MATERIAL DESCRIPTION	RT SPEC	COATING SLASH NO.	COATING S NO.
-3	Polyolefin, Semi-rigid	RT-301	/42;/86;/180	S1017;S1048;S1030
-4	Polyolefin, Flexible	RT-1304	/42;/86;/180	S1017;S1048;S1030
-12	Fluoroelastomer, Flexible	RT-1312	N/A	N/A
-25	Elastomer, Fluid Resistant	RW-2070	/42;/86;/225	S1017;S1048;S1206
-100	Polyolefin, semi-flexible Zerohal	RW-2082	/86; /180	S1048; S1030

ORDERING INFORMATION



NOTE


- 1) AS SUPPLIED DIMENSIONS ARE FOR UNCOATED PARTS, WHEN COATING IS ADDED ENTRY DIAMETERS WILL REDUCE BY 1.5MM[.06] MAX.
- 2) S1030(/180 EQUIVALENT) WILL BE SUPPLIED AS CS-1972 (S1030 TAPE IN THE BAG) (I.E 242W042-100-CS-1972-0) OR AS /180 IF REQUIRED
- 3) ZEROHAL IS TRADEMARK OF TYCO ELECTRONICS

RELEASED FOR PUBLICATION

ALL RIGHTS RESERVED.

© COPYRIGHT - TE Connectivity Ltd.

THIS DRAWING IS UNPUBLISHED.

DIMENSIONS: mm [INCHES]	DWN PRAVEEN N T	05FEB2019	MATERIAL SEE SHEET 2	FINISH -
	CHK N NAGAR	05FEB2019	 TE Connectivity Ltd.	
TOLERANCES UNLESS OTHERWISE SPECIFIED:	APVD M TAYLOR	05FEB2019		
0 PLC ± -	PRODUCT SPEC	-	NAME BOOT, 135 DEGREES WITH LIP	
1 PLC ± -	APPLICATION SPEC	-	SIZE A4	CAGE CODE 00779
2 PLC ± -	WEIGHT	-	DRAWING NO C-242W0XX-XX-0	RESTRICTED TO -
3 PLC ± -			SCALE DNS	
4 PLC ± -			SHEET 2 OF 2	
ANGLES ± -			REV 3	
CUSTOMER DRAWING				

