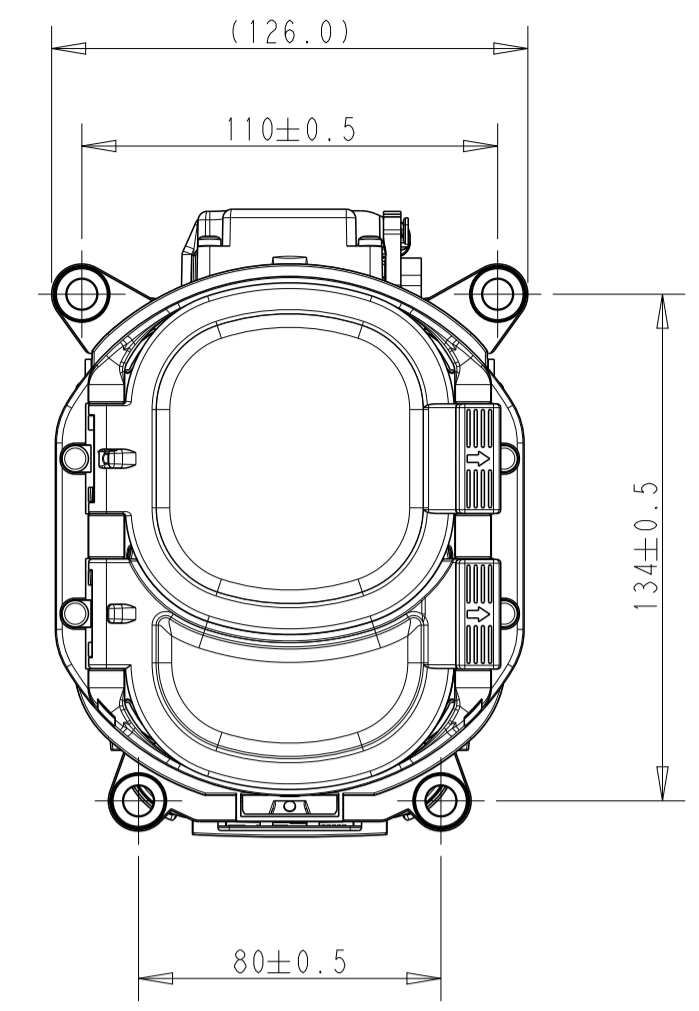
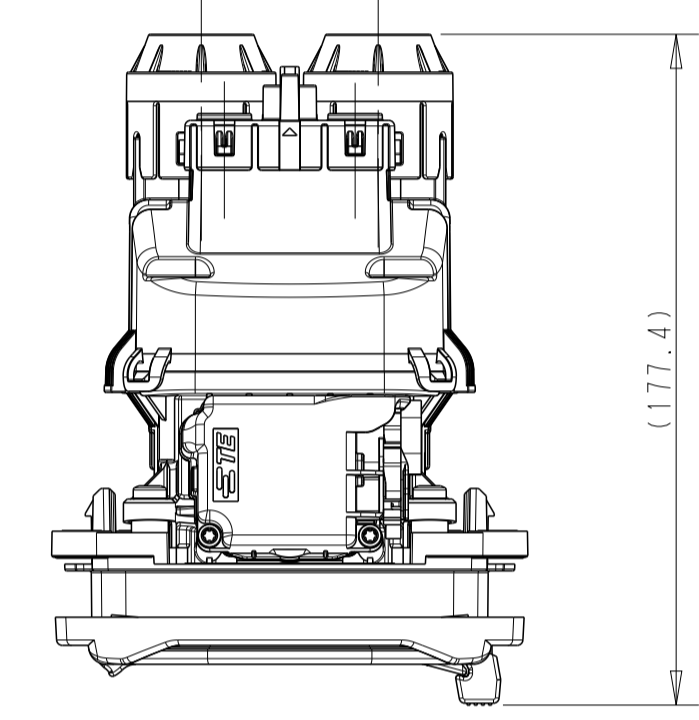
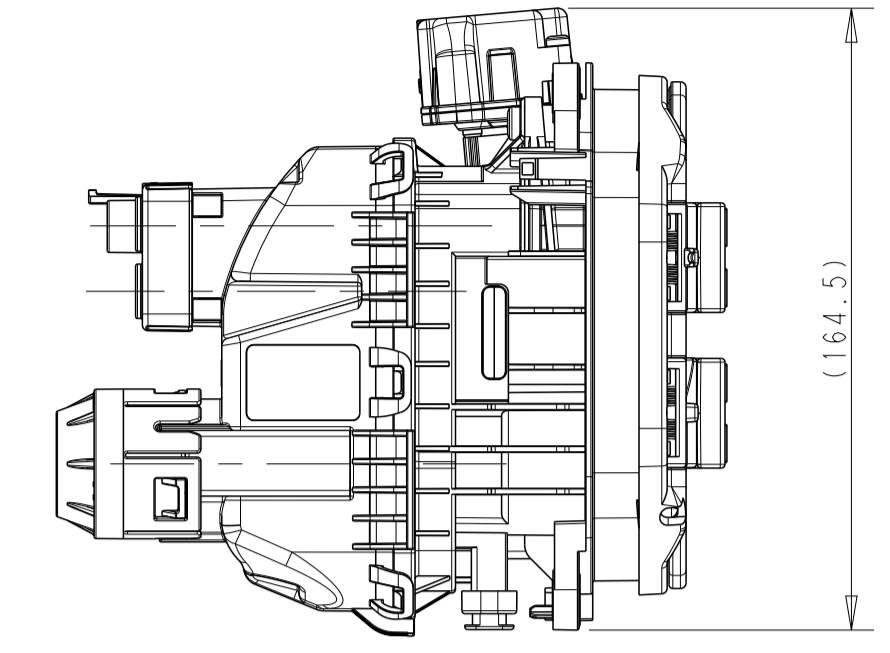


AS SHOWN  
2430432-1  
SCALE 1:2



AS SHOWN  
SCALE 1:2



REVISIONS				
P	LTM	DESCRIPTION	DATE	OWN APVD
A		INITIAL RELEASE	04AUG2023	AJ KBP

NOTES

- PACKED INTERLAYERED IN PLASTIC BAG IN CORRUGATED SHIPPING BOX
- CHARGE INLET SIMILAR TO IEC62196-3, CCS 1, SHEET 3-IIIa
- CHARGE INLET SIMILAR TO IEC62196-2, TYPE 1, SHEET 2-1
- ADAPTIVE CABLES SEE APPLICATION SPECIFICATION 114-94785
- COMPATIBLE PCB CONNECTOR: PN 1-794617-2 WITH TERMINAL PN 0-794606-1
- FUNCTIONAL AND ELECTRICAL REQUIREMENTS OF ACTUATOR SEE SPECIFICATION 108-94519
- COMPATIBLE CONNECTOR FOR ACTUATOR: 1-967640-1
- APPLICABLE SCREWS FOR MOUNTING, HEAD DIAMETER MIN. 10.5mm, TORQUE 6Nm±0.9Nm FOR M6 SCREWS
- DELIVERY CONDITION: SEC LOCK IN PRELOCK POSITION
- DELIVERY CONDITION ACTUATOR: ACTUATOR IN BASE POSITION
- MAKE SURE THAT NO MECHANICAL FORCES ARE APPLIED ON THE HEADER OF PCB A
- MAXIMUM VOLTAGE RATING 250 VAC  
MAXIMUM CURRENT RATING 80 A
- MAXIMUM VOLTAGE RATING 1000 VDC  
MAXIMUM CURRENT RATING 500 A
- ALL COMPONENTS OF THE PARTS LIST ARE DELIVERED IN SEPARATE SUB PACKAGES

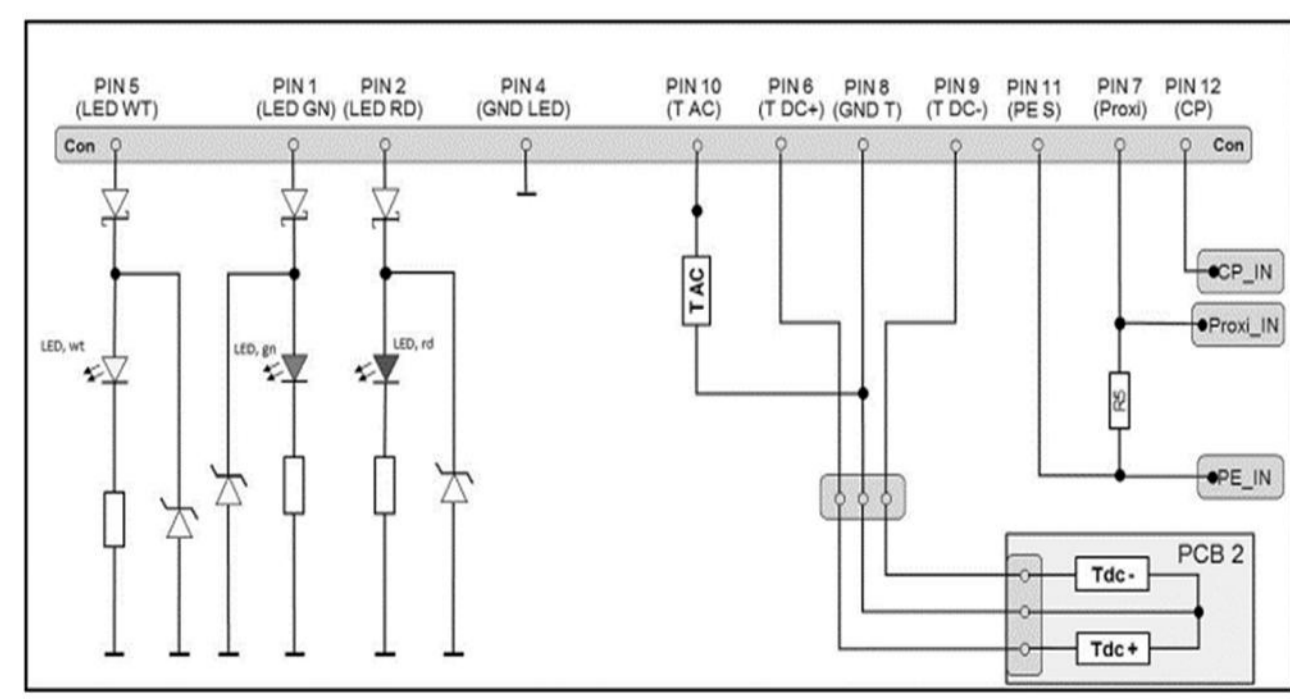
PINNING PCB

PIN NO.	COMBO 1
1	LED gn
2	LED rd
3	-
4	GND LED
5	LED wf
6	T DC+
7	Proxi
8	GND. Temp
9	T DC-
10	T AC
11	PE S
12	CP

TEST ITEM	TEST VOLTAGE		GROUND PIN	PROPERTY @T <sub>amb</sub> : 25 ± 5 °C	
	VALUE	PIN		LIGHT EMISSION	CURRENT
LED WHITE	11V±0.2V	5	4	WHITE	20mA+4mA
LED GREEN	11V±0.2V	1	4	GREEN	20mA+4mA
LED RED	11V±0.2V	2	4	RED	20mA+4mA

TEST ITEM	RESISTANCE MEASUREMENT		VALUE @T <sub>amb</sub> : 25 ± 5 °C
	TEST PINS		
TAC	10	8	1097Ω ± 20Ω
TDC+	6	8	1097Ω ± 20Ω
TDC-	9	8	1097Ω ± 20Ω
R5	11	7	4700Ω ± 140Ω
Proxi	Proxi	7	0Ω + 1Ω
CP	CP	12	0Ω + 1Ω

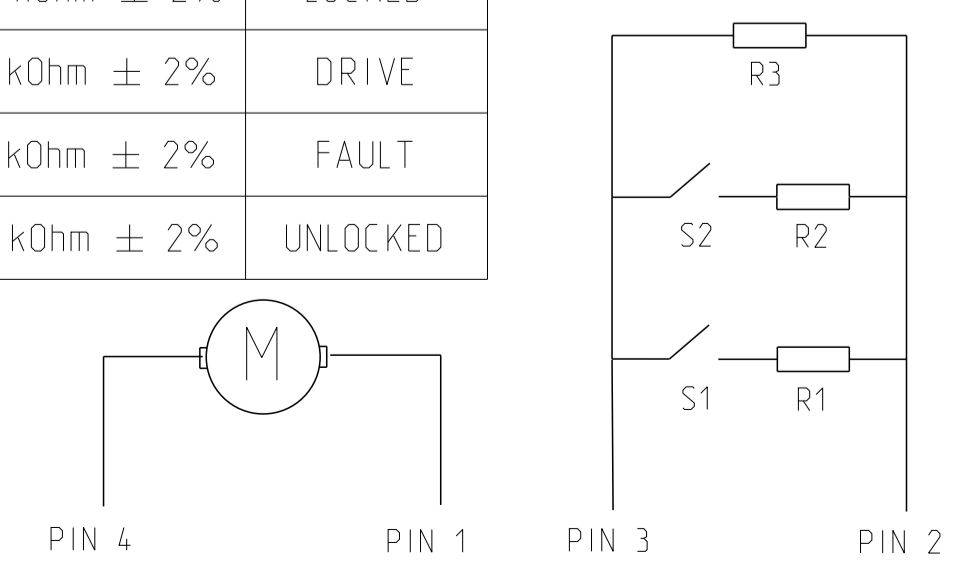
CIRCUIT DIAGRAM ( FOR INFORMATION ONLY )



3-2293469-2 : 12V ACTUATOR  
4-2293469-2 : 24V ACTUATOR  
4 WIRE VARIANT:

PIN 3	PIN 2	SENSE RESISTANCE	FUNCTION
-	+	11,000 kOhm ± 2%	LOCKED
-	+	2,194 kOhm ± 2%	DRIVE
-	+	1,540 kOhm ± 2%	FAULT
-	+	0,989 kOhm ± 2%	UNLOCKED

PIN 1	PIN 4	FUNCTION
-	+	UNLOCKING
+	-	LOCKING



QTY	DESCRIPTION	PART NO.	MATERIAL	SURFACE/COLOR	ITEM NO.
1	MOS BLIND PLUG	963143-1	SILICON	WHITE	19
2	DC SINGLE SEAL COVER, 120 mm <sup>2</sup>	2399669-3	PA66-GF30	ORANGE	18
2	STRAIN RELIEF, 120 mm <sup>2</sup>	2399668-3	PA66-GF30	BLACK	17
2	RADIAL SEAL, 120 mm <sup>2</sup>	2399667-3	LIQUID SILICONE RUBBER	GREEN	16
1	AC LARGE EXIT BACK COVER	2415869-1	PBT-GF30	BLACK	15
-	GROMMET SEAL, 11 X 0.35/0.5 mm <sup>2</sup> WIRE	2401251-1	LUBRICATED SILICONE	YELLOW	14
1	GROMMET SEAL, 7 X 0.35/0.5 mm <sup>2</sup> WIRE	2418662-1	LUBRICATED SILICONE	BROWN	13
1	STRAIN RELIEF, PE, 25 mm <sup>2</sup>	2390861-1	PBT-GF30	BLACK	12
2	STRAIN RELIEF AC	2369841-3	PBT-GF30	BLUE	11
1	SINGLE WIRE SEAL PE, 25 mm <sup>2</sup>	2418661-1	LUBRICATED SILICONE	BROWN	10
2	SINGLE WIRE AC SEAL	2369839-4	LUBRICATED SILICONE	CHERRY RED	9
1	CABLE EXIT, LARGER AC	2390858-3	PA6-GF30	ORANGE	8
2	DIA 8MM, PIN TERMINAL ASSY	2402050-1	COPPER	SILVER/TIN	7
2	SEALING	2338077-1	VMQ	RED	6
1	PROTECTION CAP, WATER DRAIN	2292534-1	PA6-GF10+GB20	BLACK	5
1	PIN DIA 2.8, RIGID, POWER PE	2293267-5	BRASS	SILVER	4
2	PIN CONTACT, DIA 3.6, L/N, ASSY	2293266-9	COPPER	SILVER	3
1	PERIPHERAL SEAL COMBO	2338079-1	VMQ	SIGNAL BLUE	2
1	COMBO 1, CHARGE INLET ASSY W/O LED, 12V ACTUATOR	2402048-3	-	-	1
-	COMBO 1, CHARGE INLET ASSY WITH LED, 12V ACTUATOR	2402048-1	-	-	1

THIS DRAWING IS A CONTROLLED DOCUMENT.

OWNER: AJITH JAMES 11APR2023  
CHK: AMRUTHA RAO C H 12APR2023  
APVD: KASHYAP P B 12APR2023

DIMENSIONS: mm  
TOLERANCES UNLESS OTHERWISE SPECIFIED:  
0 PLC ±0.1  
1 PLC ±0.05  
2 PLC ±0.02  
3 PLC ±0.01  
4 PLC ±0.001  
ANGLES ±0.001

MATERIAL: SEE TABLE  
FINISH: -

DIMENSION AND TOLERANCES ACCORDING TO:  
DIN ISO 20457  
DIN EN ISO 8015 (DIN EN ISO 291)  
DIN EN ISO 14405-1/-2/-3

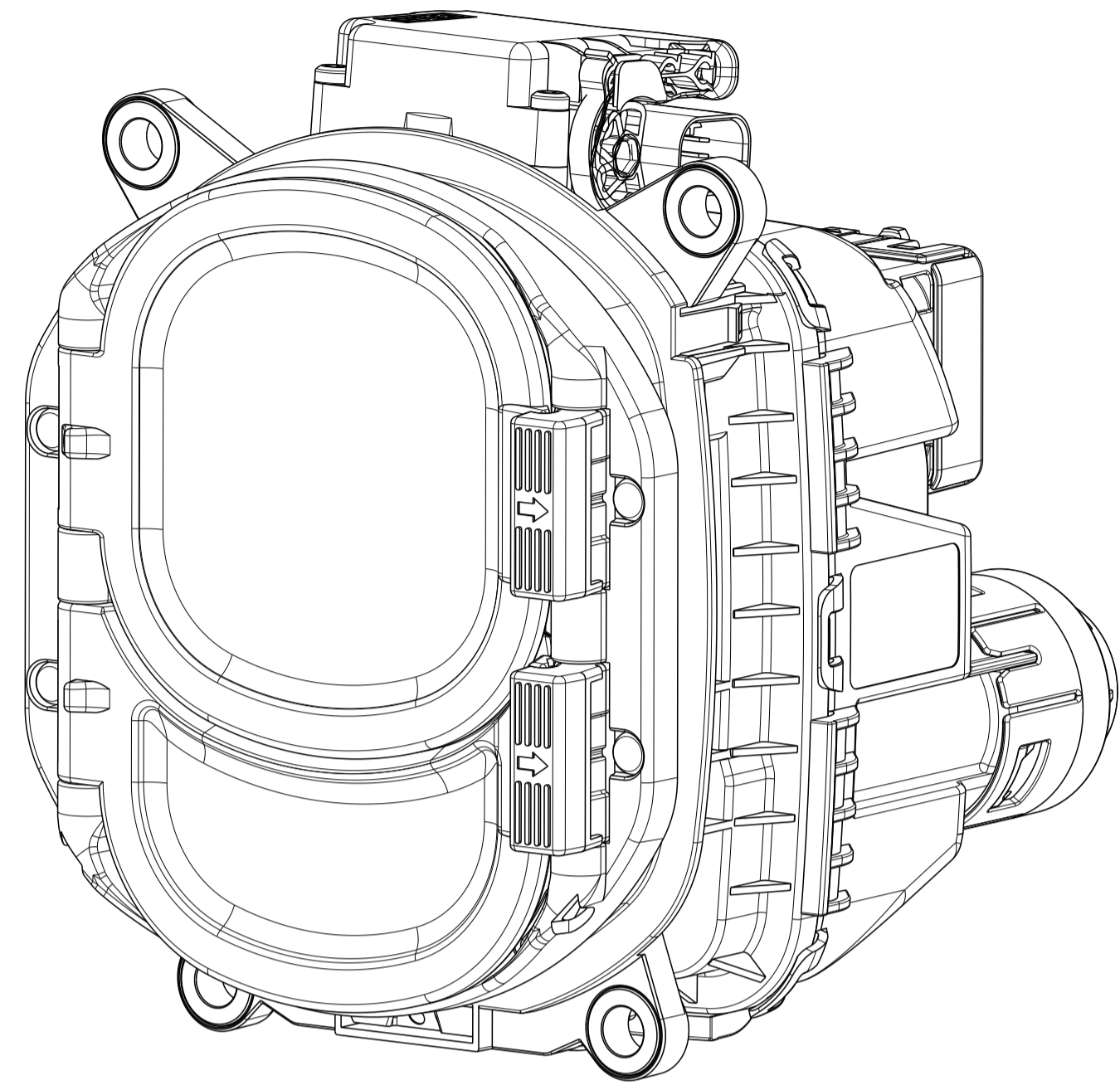
NAME: CCS1-KIT ASSY\_120SQMM-80A  
SIZE: 108-94890  
APPLICATION SPEC: 114-94785

WEIGHT: -  
CUSTOMER DRAWING

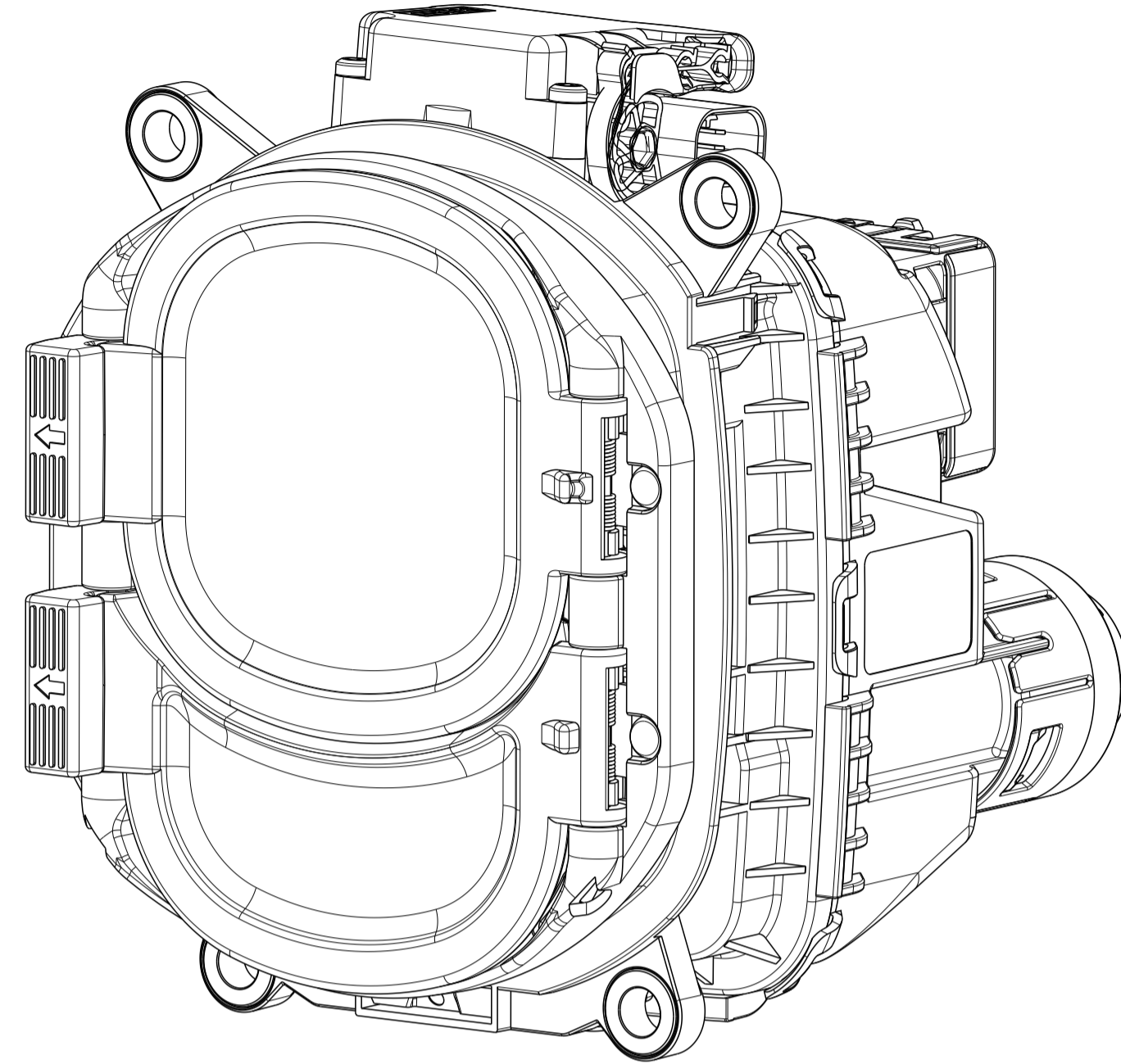
SCALE: 1:1  
SHEET 1 OF 2  
REV A

# VARIANTS OVERVIEW

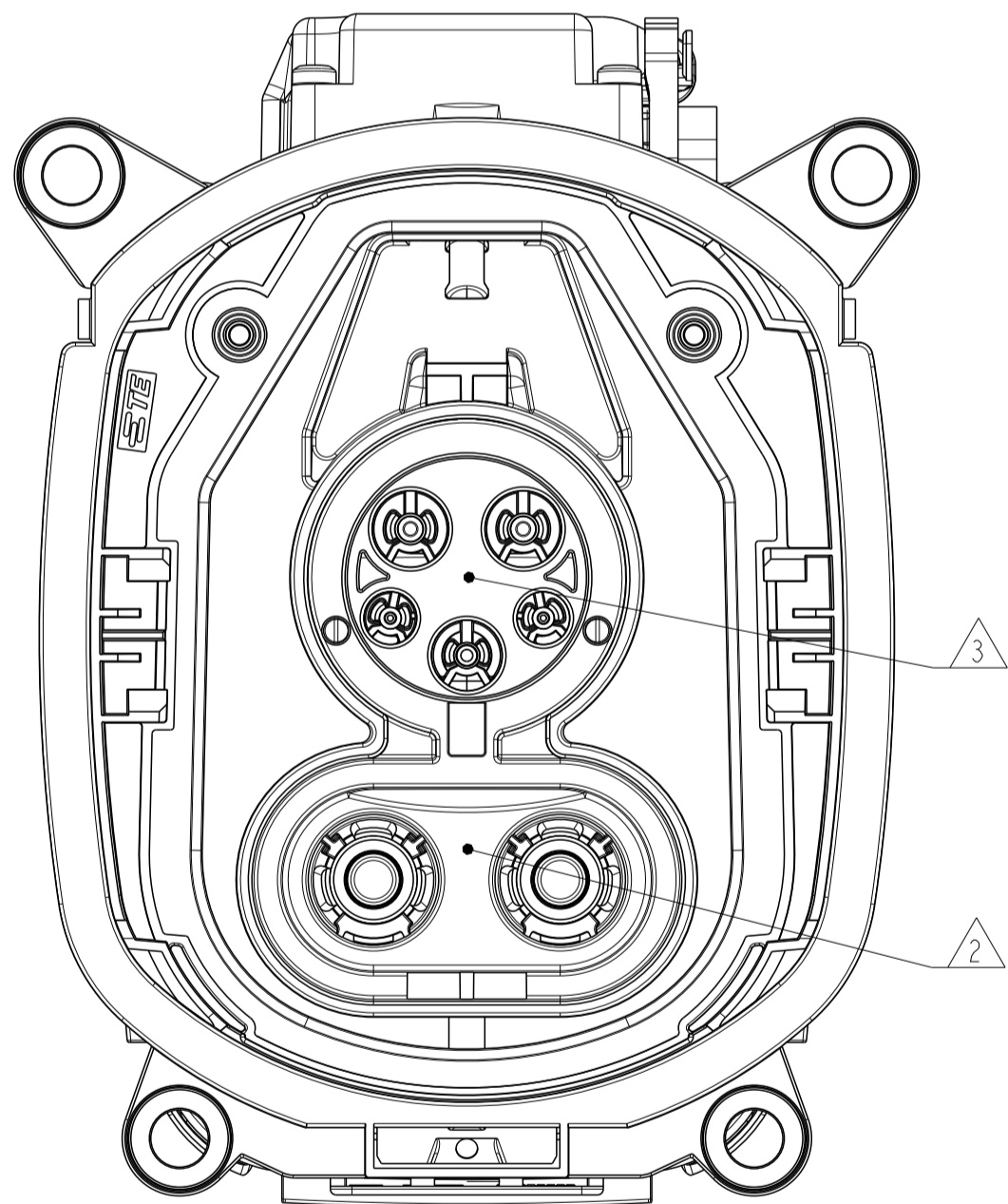
CHARGE INLET ASSEMBLY 180° DC & 180° AC  
FLAP ASSEMBLY LEFT  
SCALE 1:1



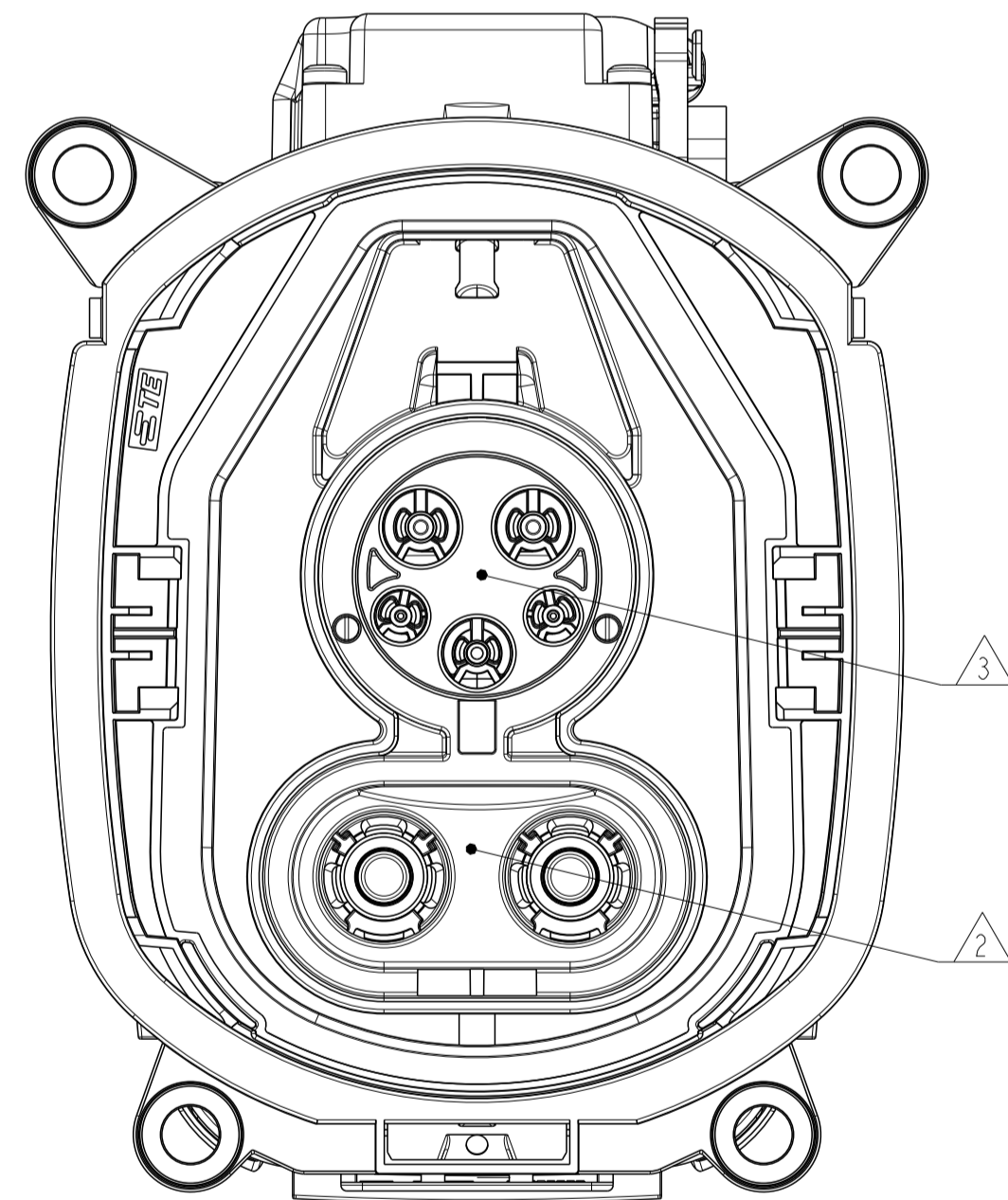
CHARGE INLET ASSEMBLY 180° DC & 180° AC  
FLAP ASSEMBLY RIGHT  
SCALE 1:1



WITHOUT FLAP ASSEMBLY-WITH AC WITH LED  
SCALE 1:1



WITHOUT FLAP ASSEMBLY-WITH AC W/O LED  
SCALE 1:1



REVISIONS				
P	LTN	DESCRIPTION	DATE	OWN
		SEE SHEET 1		

FLAP OPTIONS AVAILABLE				
ITEM NO	DESCRIPTION	ORDER PN	QTY	IMAGE
20	FLAP ASSY WITH LED, LEFT	2358664-5	1	SECTION B-B SCALE 1:4 
	FLAP ASSY WITH LED, RIGHT	2358664-7	1	SECTION B-B SCALE 1:4 
21	FLAP ASSY WITHOUT LED, LEFT	2358664-1	1	SECTION B-B SCALE 1:4 
	FLAP ASSY WITHOUT LED, RIGHT	2358664-3	1	SECTION B-B SCALE 1:4 

1	1	963143-1	MOS BLIND PLUG	SILICON	WHITE	19
2	2	2399669-3	DC SINGLE SEAL COVER, 120 mm <sup>2</sup>	PA66-GF30	ORANGE	18
2	2	2399668-3	STRAIN RELIEF, 120 mm <sup>2</sup>	PA66-GF30	BLACK	17
2	2	2399667-3	RADIAL SEAL, 120 mm <sup>2</sup>	LIQUID SILICONE	GREEN	16
1	1	2415869-1	AC LARGE EXIT BACK COVER	PBT-GF30	BLACK	15
-	1	2401251-1	GROMMET SEAL, 11 X 0.35/0.5 mm <sup>2</sup> WIRE	LUBRICATED SILICONE	YELLOW	14
1	-	2418662-1	GROMMET SEAL, 7 X 0.35/0.5 mm <sup>2</sup> WIRE	LUBRICATED SILICONE	BROWN	13
1	1	2390861-1	STRAIN RELIEF_PE, 25 mm <sup>2</sup>	PBT-GF30	BLACK	12
2	2	2369841-3	STRAIN RELIEF AC	PBT-GF30	BLUE	11
1	1	2418661-1	SINGLE WIRE SEAL PE, 25 mm <sup>2</sup>	LUBRICATED SILICONE	BROWN	10
2	2	2369839-4	SINGLE WIRE AC SEAL	LUBRICATED SILICONE	CHERRY RED	9
1	1	2390858-3	CABLE EXIT, LARGER AC	PA6-GF30	ORANGE	8
2	2	2402050-1	DIA 8MM,PIN TERMINAL ASSY	COPPER	SILVER/TIN	7
2	2	2338077-1	SEALING	VMQ	RED	6
1	1	2292534-1	PROTECTION CAP,WATER DRAIN	PA6-GF10+GB20	BLACK	5
1	1	2293267-5	PIN DIA 2.8, RIGID, POWER PE	BRASS	SILVER	4
2	2	2293266-9	PIN CONTACT , DIA 3.6, L/N, ASSY	COPPER	SILVER	3
1	1	2338079-1	PERIPHERIAL SEAL COMBO	VMQ	SIGNAL BLUE	2
1	-	2402048-4	COMBO 1,CHARGE INLET ASSY W/O LED, 24V ACTUATOR	-	-	1
-	1	2402048-2	COMBO 1,CHARGE INLET ASSY WITH LED, 24V ACTUATOR	-	-	1
<b>1-2430432-2</b>	<b>1-2430432-1</b>	<b>ORDER PN</b>	<b>PART DESCRIPTION</b>	<b>MATERIAL</b>	<b>SURFACE/COLOR</b>	<b>ITEM NO</b>
COMBO 1, CHARGE INLET KIT ASSY, LARGER AC, W/O LED, 24V ACTUATOR	COMBO 1, CHARGE INLET KIT ASSY, LARGER AC, WITH LED, 24V ACTUATOR					

DIMENSION AND TOLERANCES ACCORDING TO:  
Bemaßungen und Toleranzen gemäß:  
DIN ISO 20457  
DIN EN ISO 8015 (M) - DIN EN ISO 291  
DIN EN ISO 14405-1/-2/-3

THIS DRAWING IS A CONTROLLED DOCUMENT.

DIMENSIONS: mm	TOLERANCES UNLESS OTHERWISE SPECIFIED	OWN: AJITH JAMES 11APR2023	CHK: AMRUTHA RAO C H 12APR2023	APVD: KASHYAP P B 12APR2023
0 PLC ±0.1	1 PLC ±0.05	PRODUCT SPEC	108-94890	APPLICATION SPEC
2 PLC ±0.02	3 PLC ±0.001	114-94785	WEIGHT	CUSTOMER DRAWING
4 PLC ±0.0001	ANGLES	FINISH	SIZE	CAGE CODE
			00779	2430432

TE Connectivity  
NAME: CCS1-KIT ASSY\_120SQMM-80A  
SIZE: A | CAGE CODE: 00779 | DRAWING NO: 2430432  
RESTRICTED TO: A | SCALE: 1:1 | SHEET 2 OF 2 | REV A