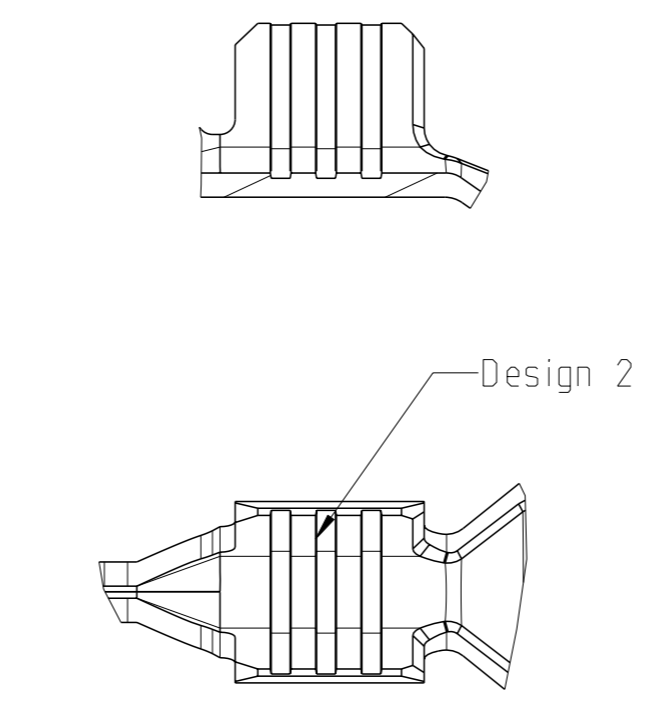
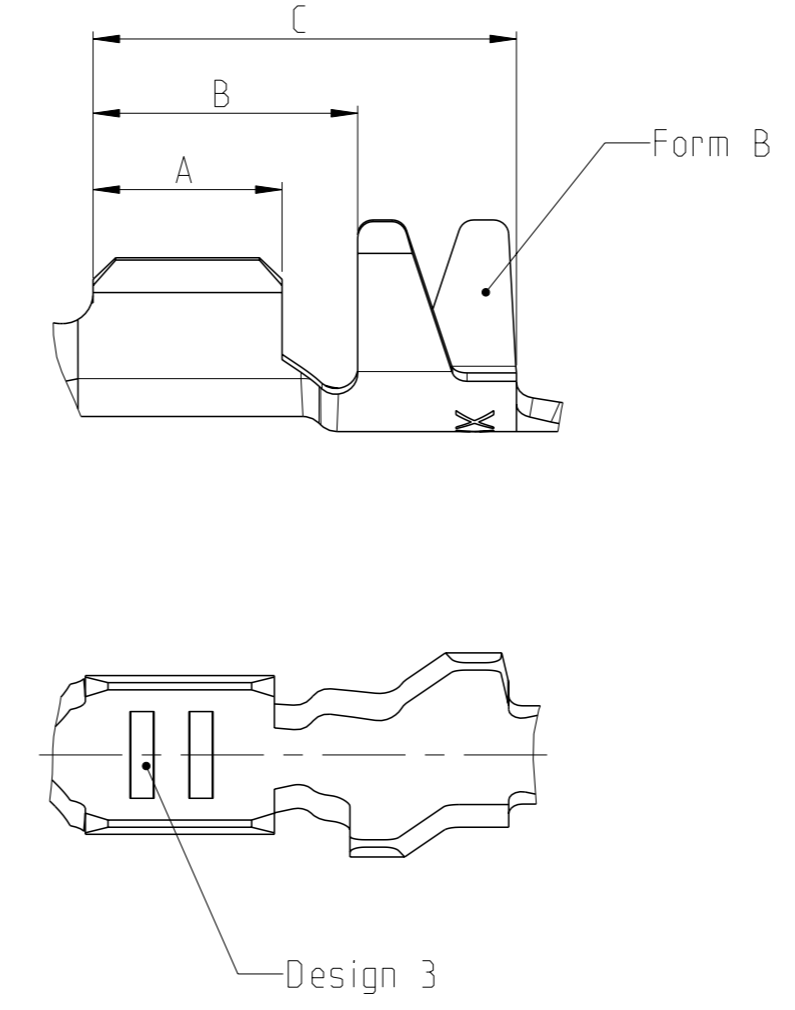
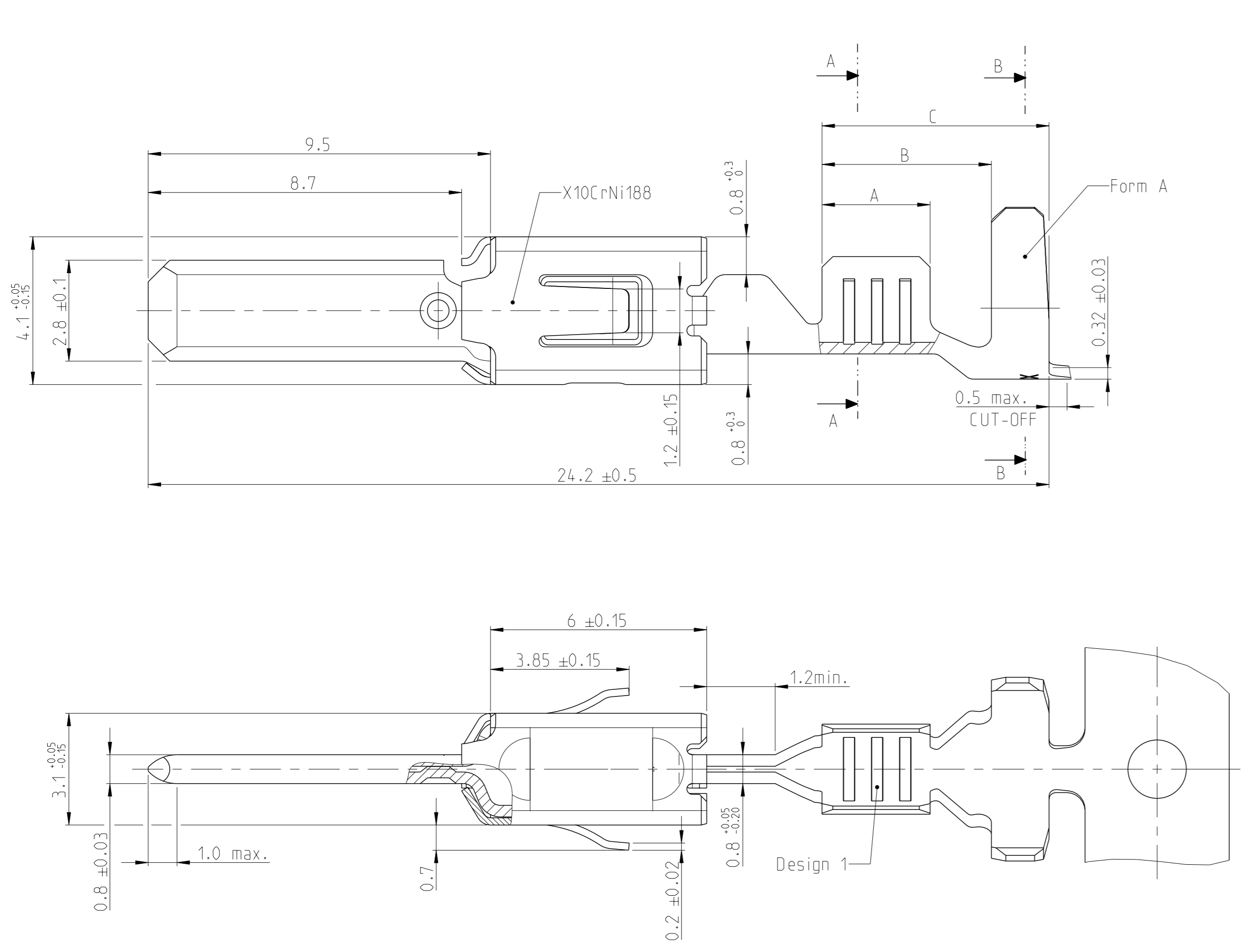


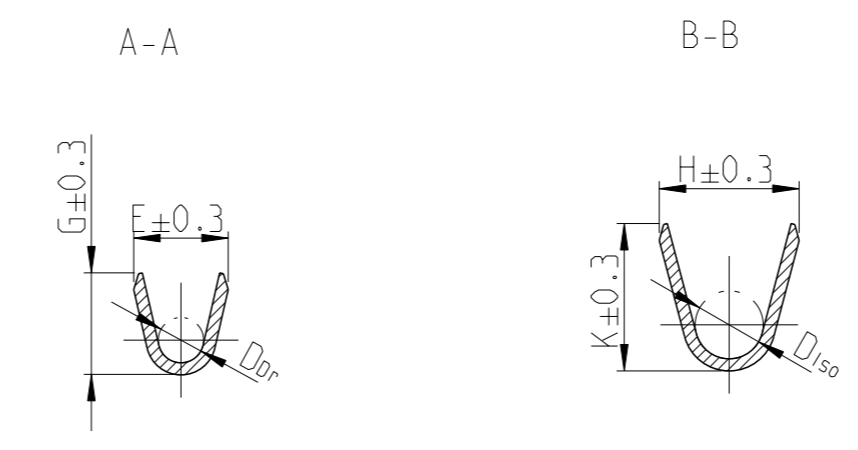
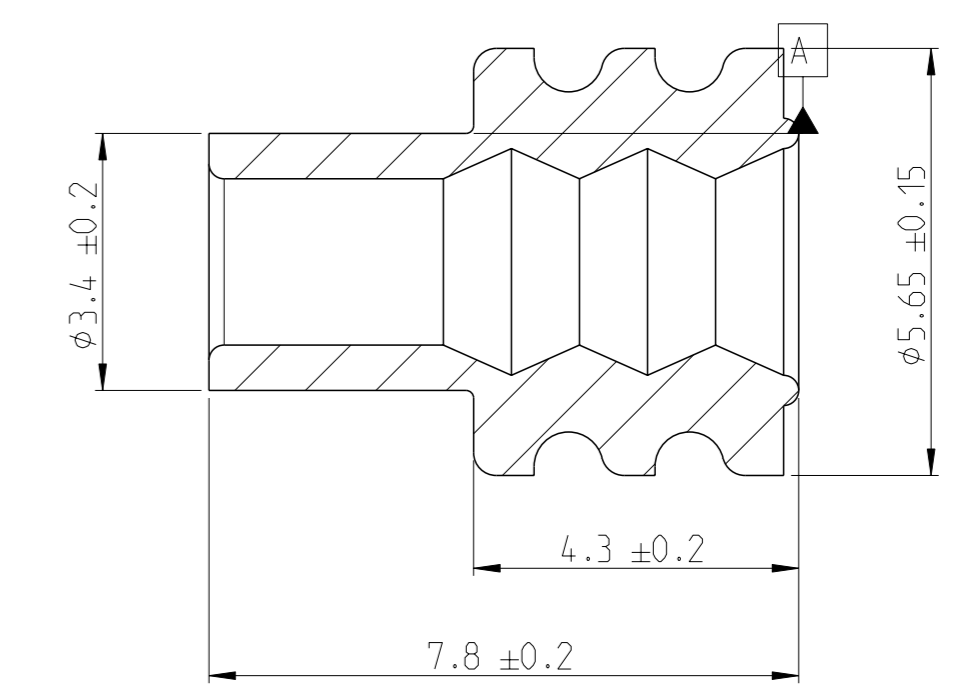
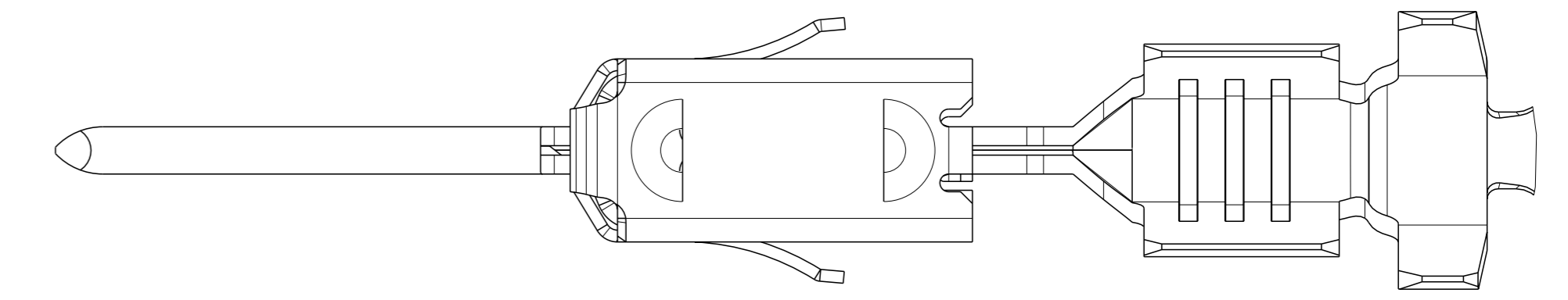
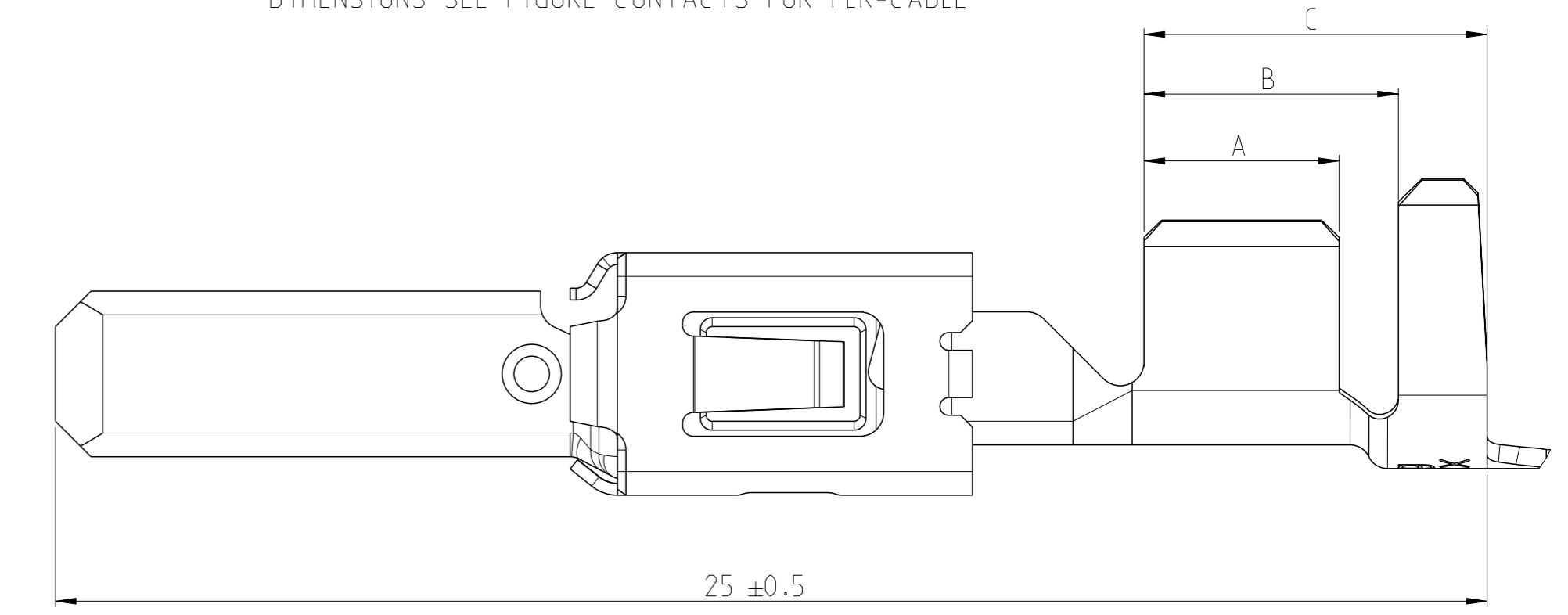
REVISIONS				
#	CTM	DESCRIPTION	DATE	APVD
A		INITIAL RELEASE	14NOV2022	M.B W.Z
A1		REVISE	25NOV2022	J.Z W.Z
A2		REVISE	11JAN2023	J.Z W.Z

CONTACTS FOR FLR-CABLE



CONTACTS FOR SINGLE WIRE SEAL: FLR- AND FLK-CABLE

DIMENSIONS SEE FIGURE CONTACTS FOR FLR-CABLE



NOTE
 △ ACCORDING INSULATION φ IS TO CHOOSE THE SINGLE WIRE SEAL
 2. △ IS SUZHOU VERSION PN, SIMILAR WITH GLOBAL PN △

SINGLE WIRE SEAL △		
963292-1	2.7-3.0	yellow
963293-1	2.0-2.7	redbrown
963294-1	1.2-2.1	blue
PN	INSULATION φ	COLOUR

PN	Design	Wire Range (mm ²)	Insulation φ (mm)	Material	Surface	Crimp Dimension (mm)			SIMILAR WITH GLOBAL PN △
						Length	Wire crimp	Insul.crimp	
2-2435153-1	1	>1.0-2.5	2.2-3.0	CuFe2	Sn	A=3.5 B=5.2 C=6.8	E=3.6 G=3.8 D _{DR} =1.8	H=5.3 K=5.0 D _{ISO} =3.5	2-964302-1
2-2435149-1	1	0.5-1.0	1.4-2.7	CuFe2	Sn	A=3.0 B=4.7 C=6.3	E=2.5 G=2.7 D _{DR} =1.2	H=5.1 K=4.8 D _{ISO} =3.3	2-964300-1
2-2437425-1	2	0.35	3.4	CuFe2	Sn	A=2.5 B=4.7 C=6.3	E=2.4 G=2.3 D _{DR} =1.0	H=4.7 K=4.5 D _{ISO} =3.2	2-2141876-1
2-2435146-1	1	>1.0-2.5	2.2-3.0	CuFe2	Sn	A=3.3 B=4.3 C=5.8	E=3.6 G=3.8 D _{DR} =1.8	H=4.7 K=4.9 D _{ISO} =2.6	2-964296-1
2-2435103-1	1	0.5-1.0	1.4-2.1	CuFe2	Sn	A=3.0 B=4.0 C=5.5	E=2.5 G=2.7 D _{DR} =1.2	H=3.7 K=3.9 D _{ISO} =1.8	2-964294-1
2-2434995-1	2	0.35	1.15-1.6	CuFe2	Sn	A=2.5 B=3.5 C=5.6	E=2.4 G=2.3 D _{DR} =1.0	H=2.7 K=2.8 D _{ISO} =1.4	2-2141874-1
2-2435064-1	3	0.2-0.5	1.15-1.6	CuFe2	Sn	A=2.5 B=3.5 C=5.6	E=2.1 G=2.1 D _{DR} =0.8	H=2.7 K=2.8 D _{ISO} =1.4	2-964292-1

SINGLE WIRE SEAL △

FLR - Cable

THIS DRAWING IS A CONTROLLED DOCUMENT.

DIMENSIONS: mm	TOLERANCES UNLESS OTHERWISE SPECIFIED:	0-PLC ±0.5 1-PLC ±0.5 2-PLC ±0.13±0.2 3-PLC ±0.013 4-PLC ±0.001	FINISH	APVD: W. ZHANG 14NOV2022	NAME: TAB 2.8x0.8 TYPE A PRODUCT GROUP DRAWING
MATERIAL				114-18051	SIZE: 108-18063 APPLICATION SPEC
				00779	SCALE: 10:1 SHEET 1 OF 1 REV: A2

TE Connectivity

CUSTOMER DRAWING: RESTRICTED CUSTOMER