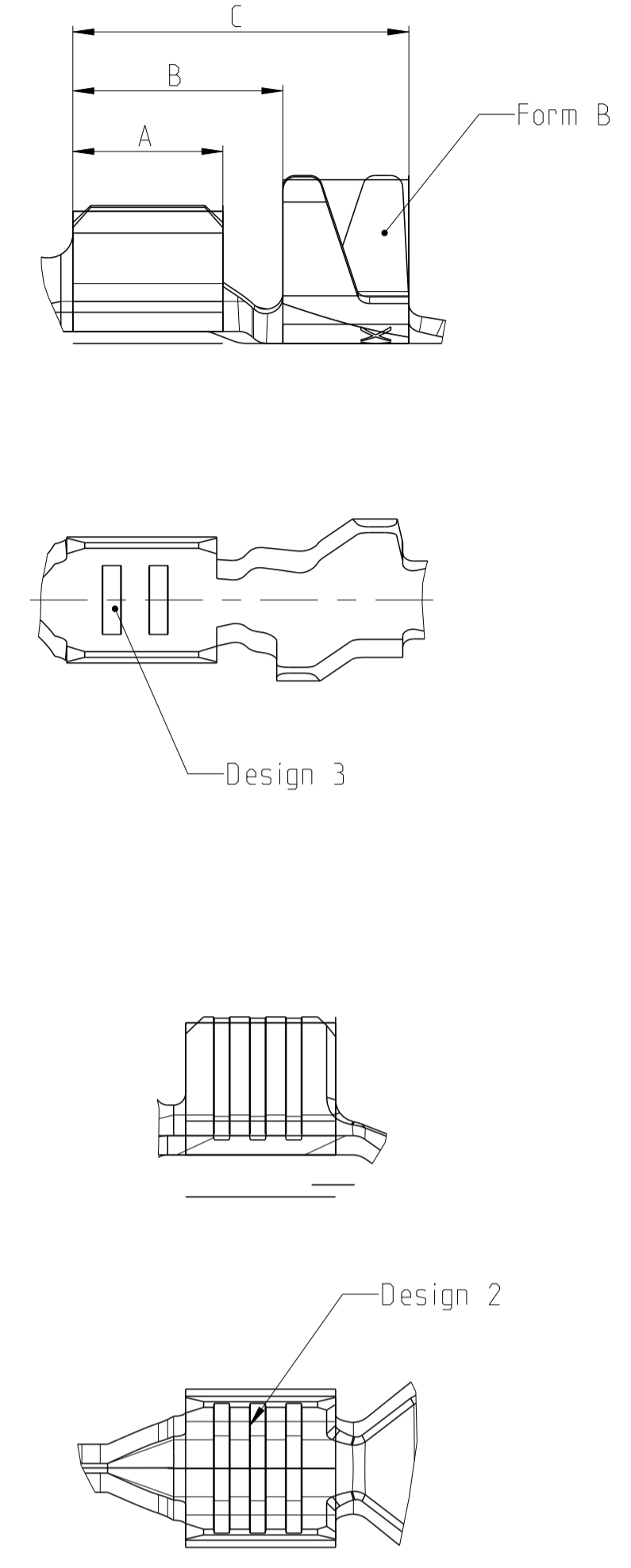
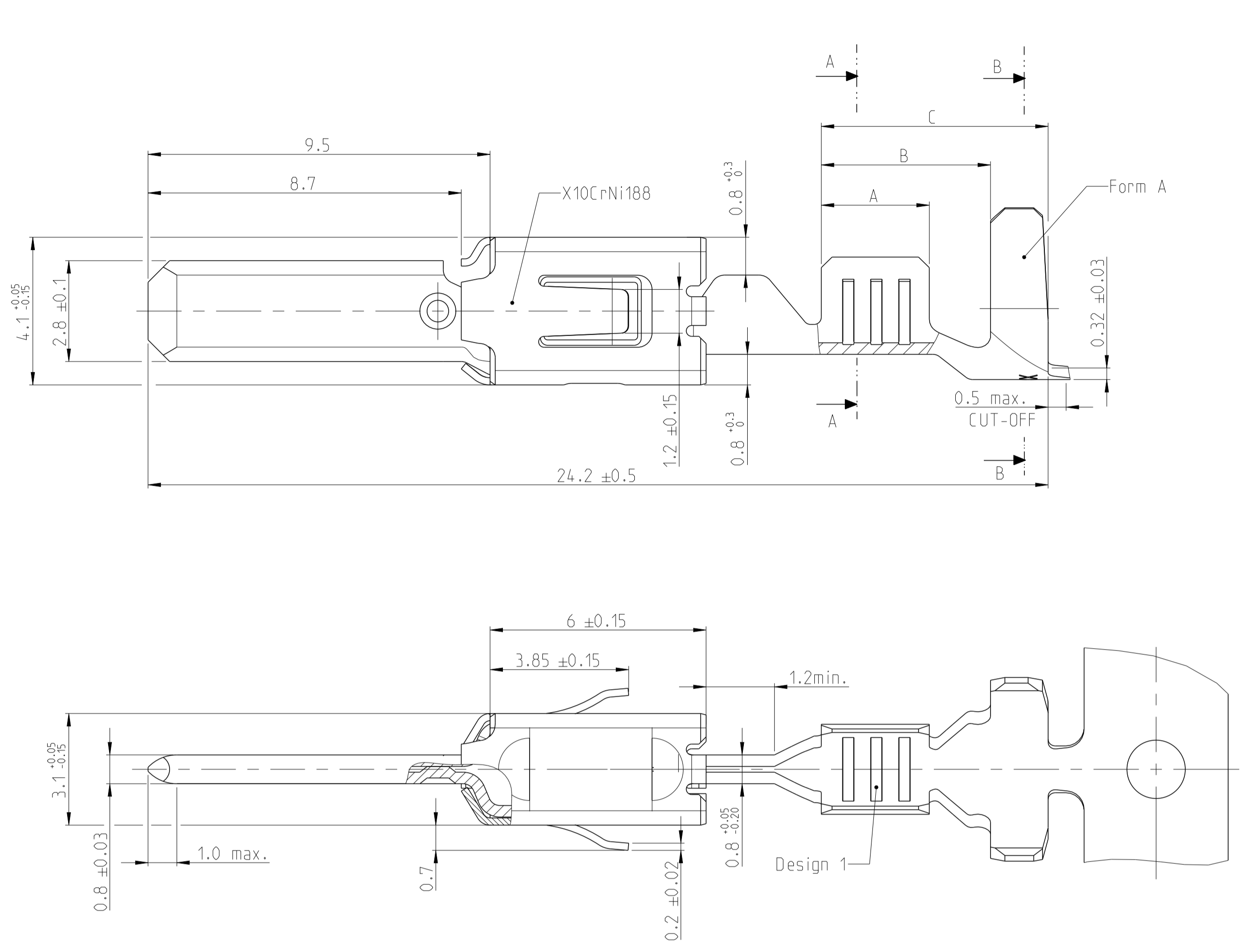


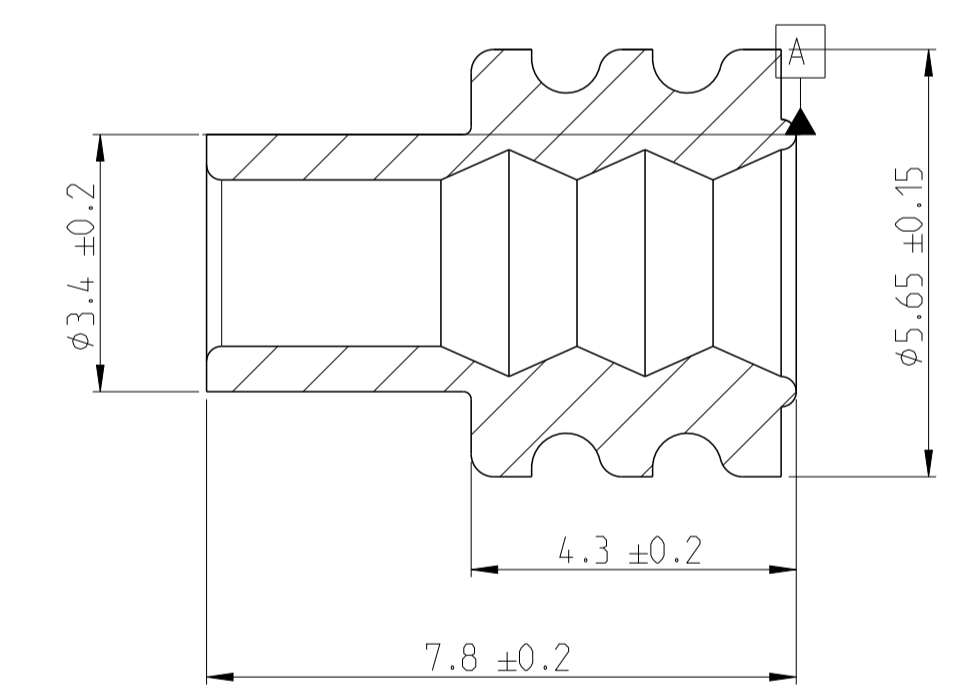
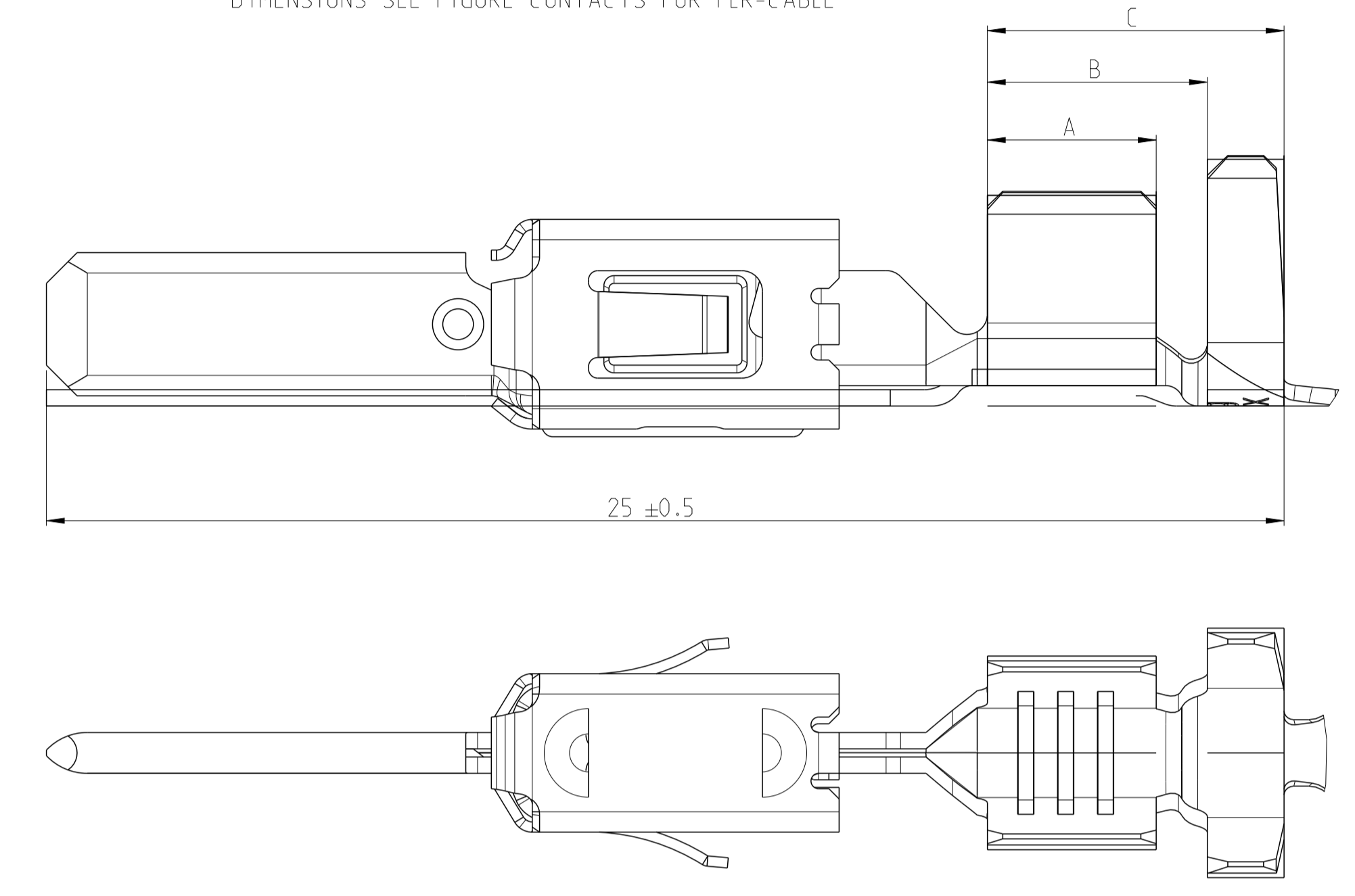
REVISIONS					
P	LTN	DESCRIPTION	DATE	DWN	APVD
A		INITIAL RELEASE	14NOV2022	M.B	W.Z
A1		REVISE	25NOV2022	J.Z	W.Z
A2		REVISE	11JAN2023	J.Z	W.Z
A3		ECR-24-211381	04JUL2024	SDT	W.Z

CONTACTS FOR FLR-CABLE

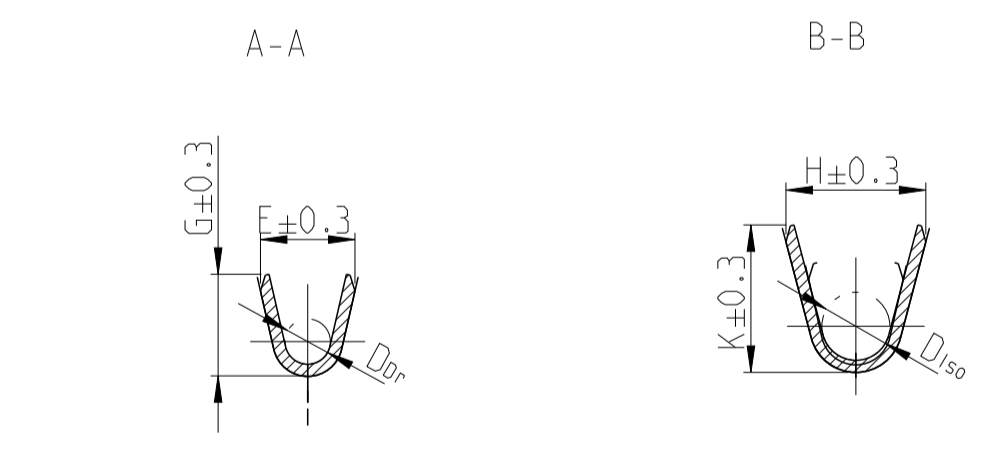


CONTACTS FOR SINGLE WIRE SEAL: FLR- AND FLK-CABLE

DIMENSIONS SEE FIGURE CONTACTS FOR FLR-CABLE



PN	Design	Wire Range (mm ²)	Insulation φ (mm)	Material	Surface	Length	Wire crimp	Insul.crimp	Crimp Dimension (mm)	
2-2435153-1	1	>1.0-2.5	2.2-3.0	CuFe2	Sn	A=3.5 B=5.2 C=6.8	E=3.6 G=3.8 D _{DR} =1.8	H=5.3 K=5.0 D _{ISO} =3.5		SINGLE WIRE SEAL \triangle
2-2435149-1	1	0.5-1.0	1.4-2.7	CuFe2	Sn	A=3.0 B=4.7 C=6.3	E=2.5 G=2.7 D _{DR} =1.2	H=5.1 K=4.8 D _{ISO} =3.3		
2-2437425-1	2	0.35	3.4	CuFe2	Sn	A=2.5 B=4.7 C=6.3	E=2.4 G=2.3 D _{DR} =1.0	H=4.7 K=4.5 D _{ISO} =3.2		
2-2435146-1	1	>1.0-2.5	2.2-3.0	CuFe2	Sn	A=3.3 B=4.3 C=5.8	E=3.6 G=3.8 D _{DR} =1.8	H=4.7 K=4.9 D _{ISO} =2.6	Form A	
2-2435103-1	1	0.5-1.0	1.4-2.1	CuFe2	Sn	A=3.0 B=4.0 C=5.5	E=2.5 G=2.7 D _{DR} =1.2	H=3.7 K=3.9 D _{ISO} =1.8	Form A	
2-2434995-1	2	0.35	1.15-1.6	CuFe2	Sn	A=2.5 B=3.5 C=5.6	E=2.4 G=2.3 D _{DR} =1.0	H=2.7 K=2.8 D _{ISO} =1.4	Form B	
2-2435064-1	3	0.2-0.5	1.15-1.6	CuFe2	Sn	A=2.5 B=3.5 C=5.6	E=2.1 G=2.1 D _{DR} =0.8	H=2.7 K=2.8 D _{ISO} =1.4	Form B	
FLR - Cable										



NOTE \triangle ACCORDING INSULATION ϕ IS TO CHOOSE THE SINGLE WIRE SEAL

SINGLE WIRE SEAL \triangle		
963292-1	2.7-3.0	yellow
963293-1	2.0-2.7	redbrown
963294-1	1.2-2.1	blue
PN	INSULATION ϕ	COLOUR

THIS DRAWING IS A CONTROLLED DOCUMENT.

DIMENSIONS:	TOLERANCES UNLESS OTHERWISE SPECIFIED:	DWN	14NOV2022	TE TE Connectivity	
mm	0-PLC ±0.5 1-PLC ±0.2 2-PLC ±0.13 3-PLC ±0.013 4-PLC ±0.001	CHK	14NOV2022		
MATERIAL:	FINISH:	APVD	14NOV2022	NAME	
-	-	W. ZHANG		TAB 2.8x0.8 TYPE A	
		PRODUCT SPEC		PRODUCT GROUP DRAWING	
		APPLICATION SPEC		-	
		116-18051		SIZE CAGE CODE DRAWING NO	
		WEIGHT		A 00779 ©=2435064	
		CUSTOMER DRAWING:RESTRICTED CUSTOMER		SCALE 10:1 SHEET 1 OF 1 REV A3	