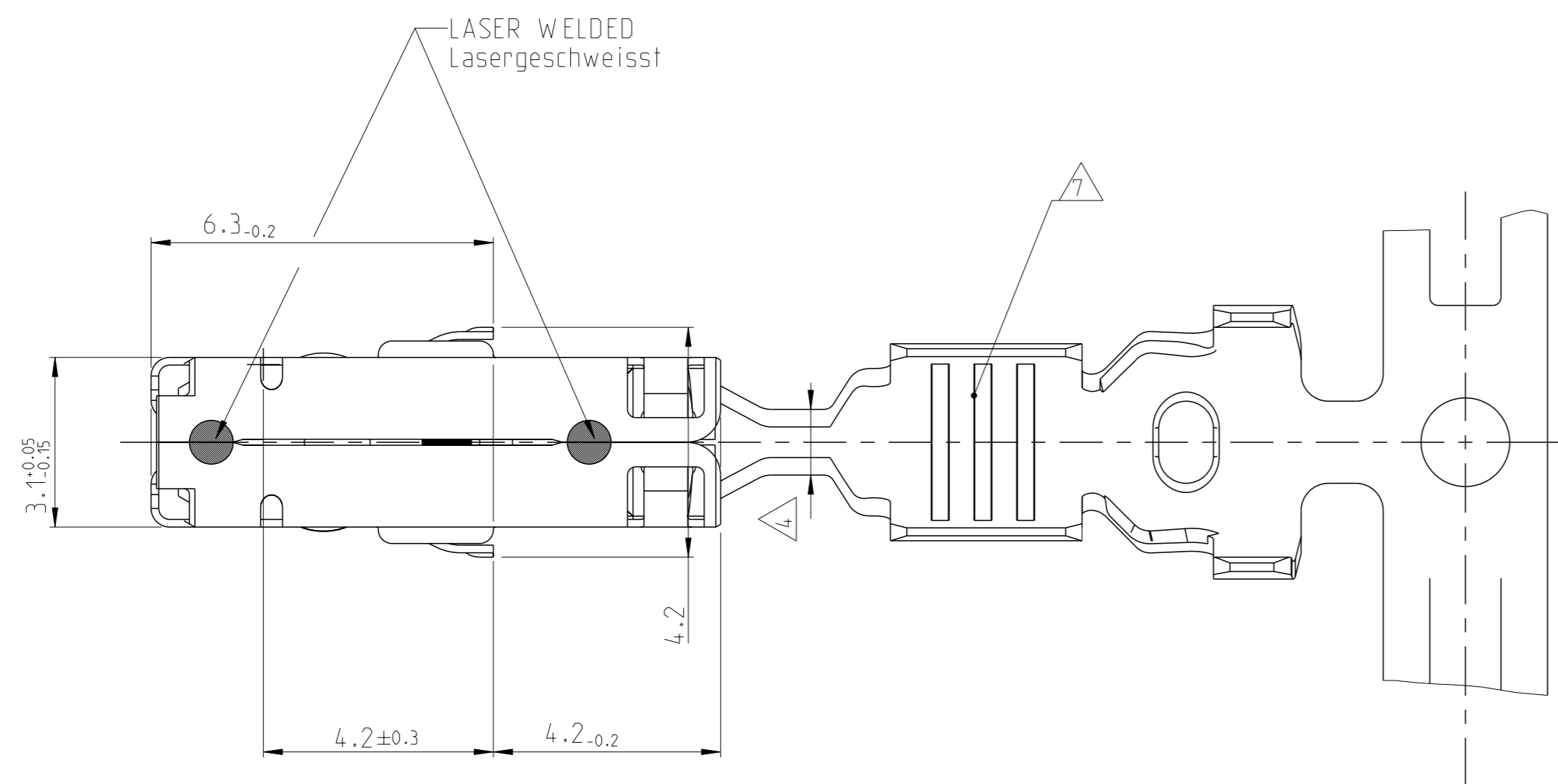
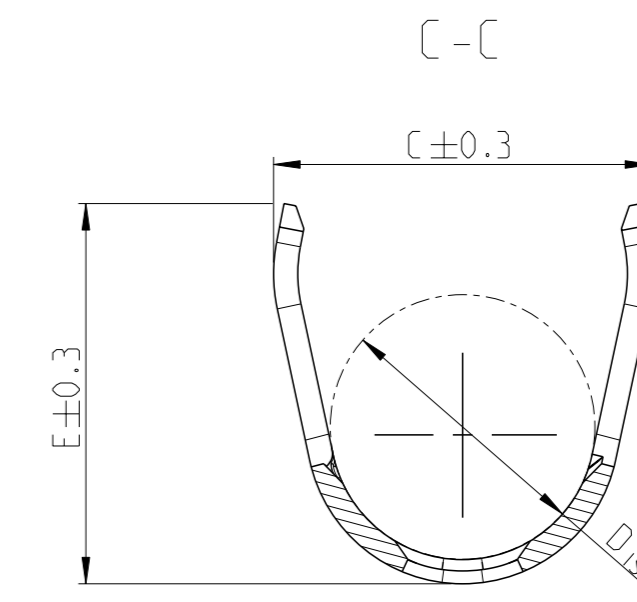
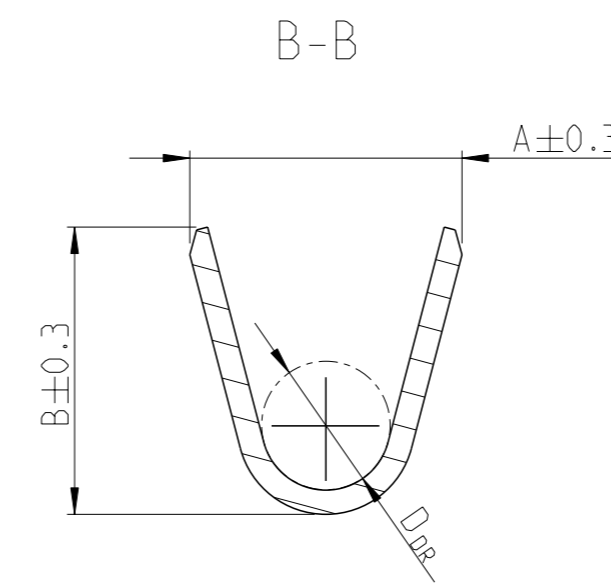
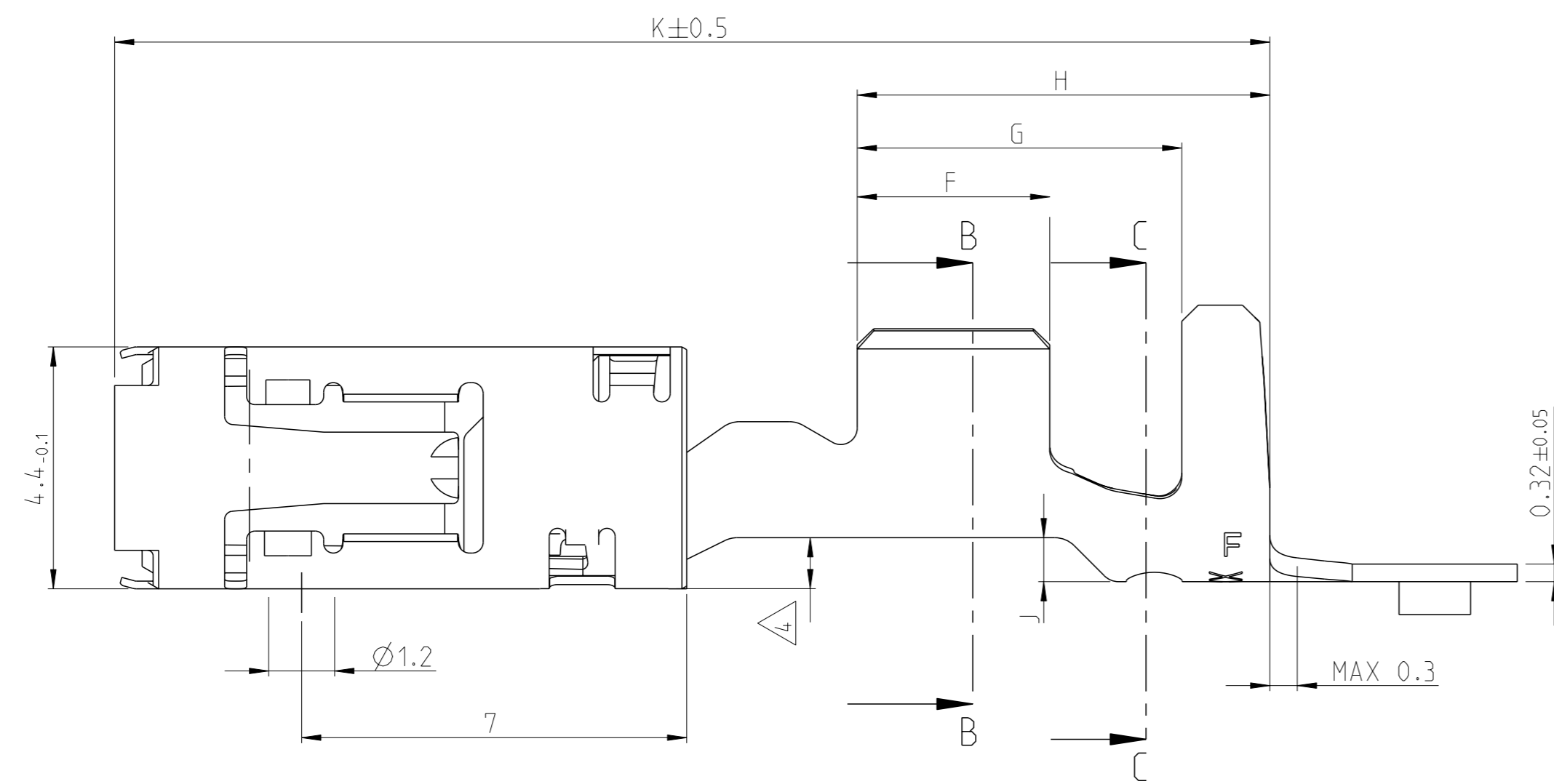


SINGLE WIRE SEAL

REVISIONS				
#	CLM	DESCRIPTION	DATE	OWN / APVD
A		INITIAL RELEASE	13NOV2022	S.D / W.Z



- 1 MATING PART SEE INTERFACE DRAWING
TE-NO.: 114-18230-002
- 2 ONLY FOR FLR-WIRE SEE DIN 7551.PART 6
- 3 SURFACE:
- PRE TIN PLATED 1 TO 3 µm
- 4 GAUGE INSPECTION
- 5 DETAILS OF DESIGN ARE LEFT TO MANUFACTURER
- 6 ONLY GERMAN LANGUAGE VERSION SHALL BE BINDING
- 7 DIFFERENT SHAPE AND NUMBER OF SERRATIONS POSSIBLE

VERSION	ORDER-NO. STRIP-FORM	BODY SPRING	MATERIAL	SURFACE	WIRE SIZE RANGE	CRIMP DIMENSIONS											WEIGHT g	SINGLE WIRE SEAL TE CONNECTIVITY NO.	DEAD END PLUG TE CONNECTIVITY NO.	APPLICATION TOOLS
						A	B	D _{DR}	C	E	D _{ISO}	F	G	H	J	K				
SINGLE WIRE SEAL	2434922-1	CuNiSi	X10CrNi18-8	PRE TIN PLATED	0.5 - 1.0	2.5	2.7	1.2	4.8	4.8	3.3	3	5.4	7	0.75	21	0.51	828904-1	828922-1	SEE APPLICATION SPECIFICATION 114-18144
	2435065-1			PRE TIN PLATED	0.35	2.1	2.1	0.8	4.5	4.5	3.2	2.5	4.9	6.5	0.75	21	0.49	828904-1	828922-1	

THIS DRAWING IS A CONTROLLED DOCUMENT.		OWN S.DU	13NOV2022	
DIMENSIONS: mm		CHK J.GU	13NOV2022	
TOLERANCES UNLESS OTHERWISE SPECIFIED:		APVD W. ZHANG	13NOV2022	NAME PRODUCT GROUP DRAWING FOR
		± 0.2		2.8mm SENSOR FLAT CONTACT, TYPE I
MATERIAL		FINISH		SIZE CAGE CODE DRAWING NO
-		-		A 00779 ©=2435065
-		-		RESTRICTED TO
Customer Drawing		SCALE 10:1		SHEET 1 OF 1 REV A