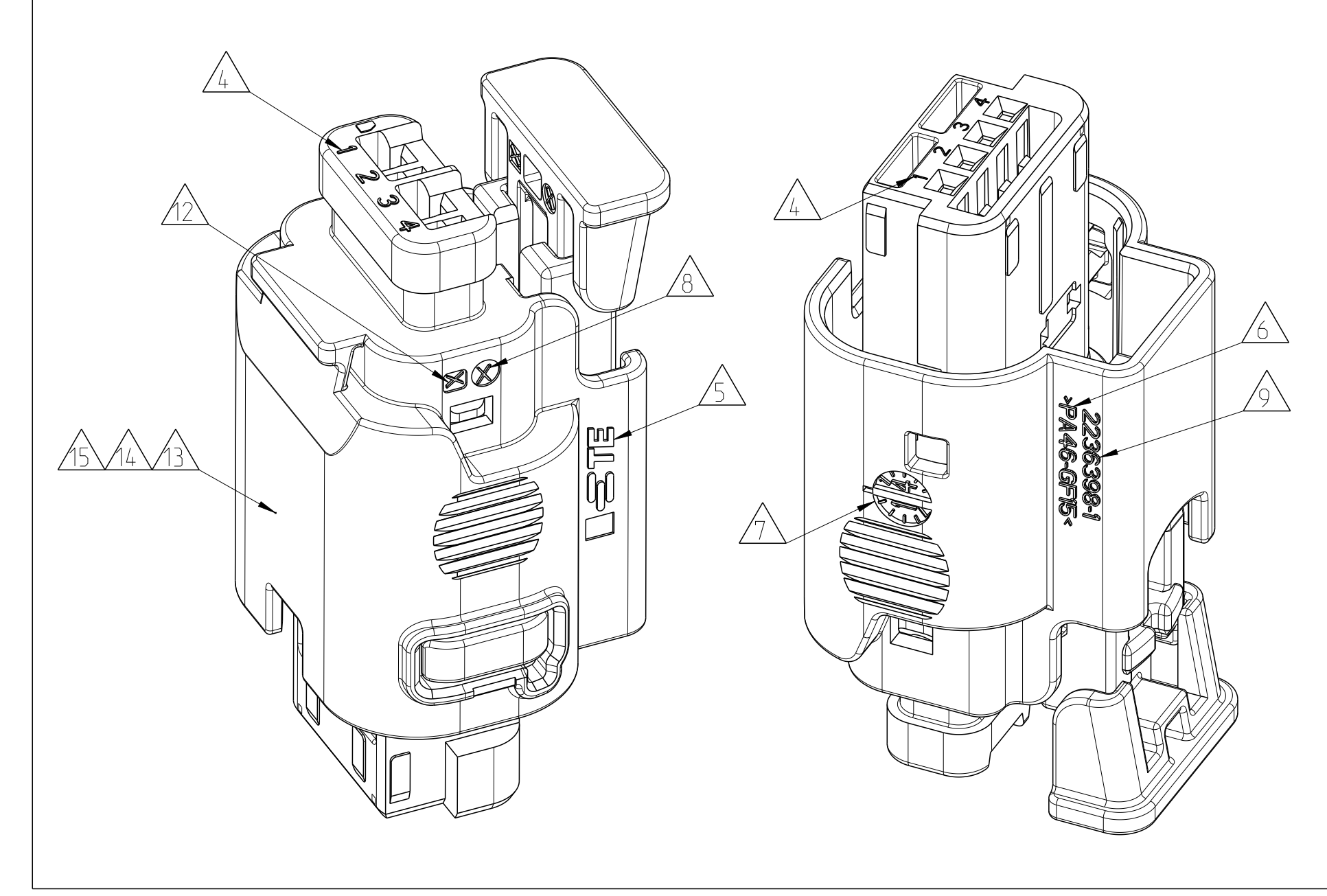
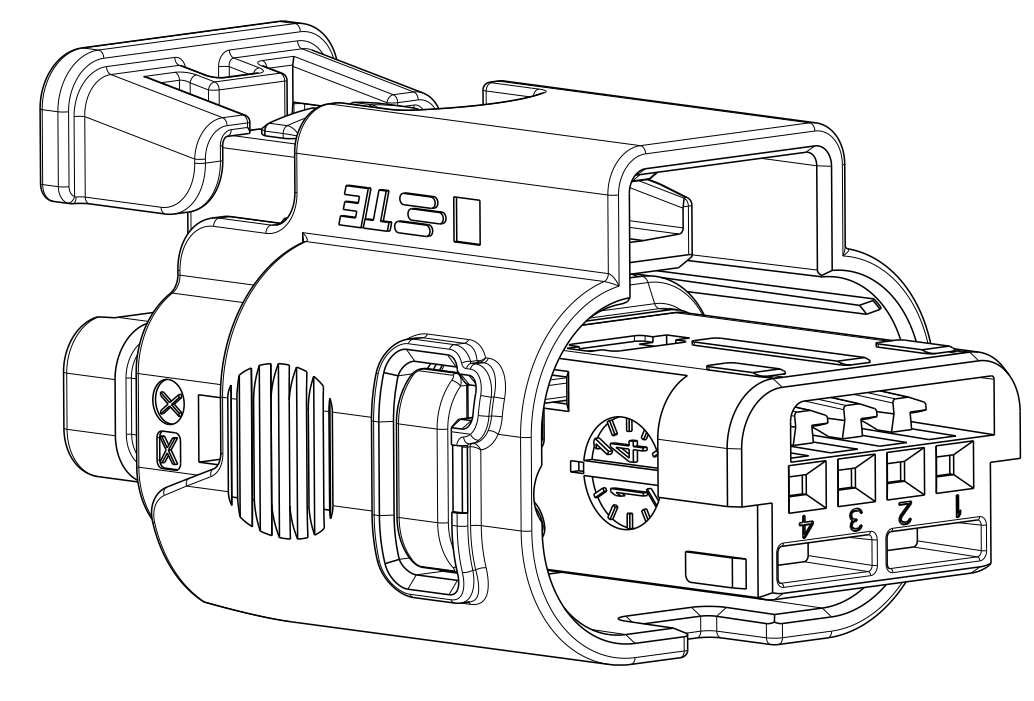
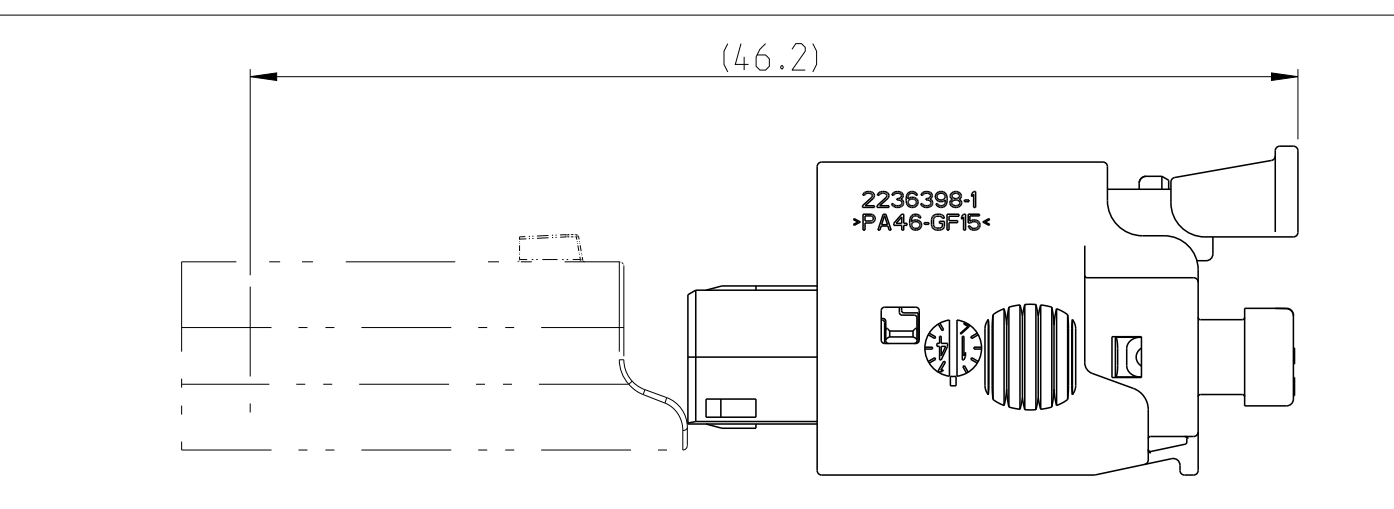


REVISIONS					
N°	LTW	DESCRIPTION	DATE	ENV	APPV
A		INITIAL RELEASE	23NOV22	Z.J.	J.2
A1		ECN-23-193761	15JAN23	G.L.	J.2
A2		ECN-24-271512	23JAN24	GSK	J.2

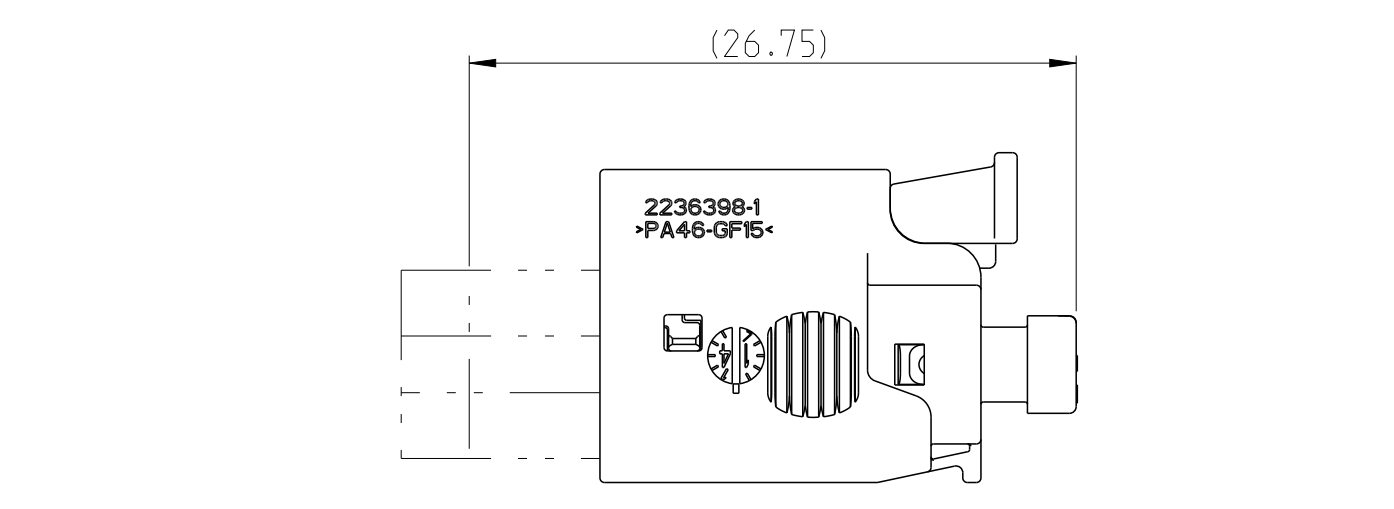


NOTES: A2

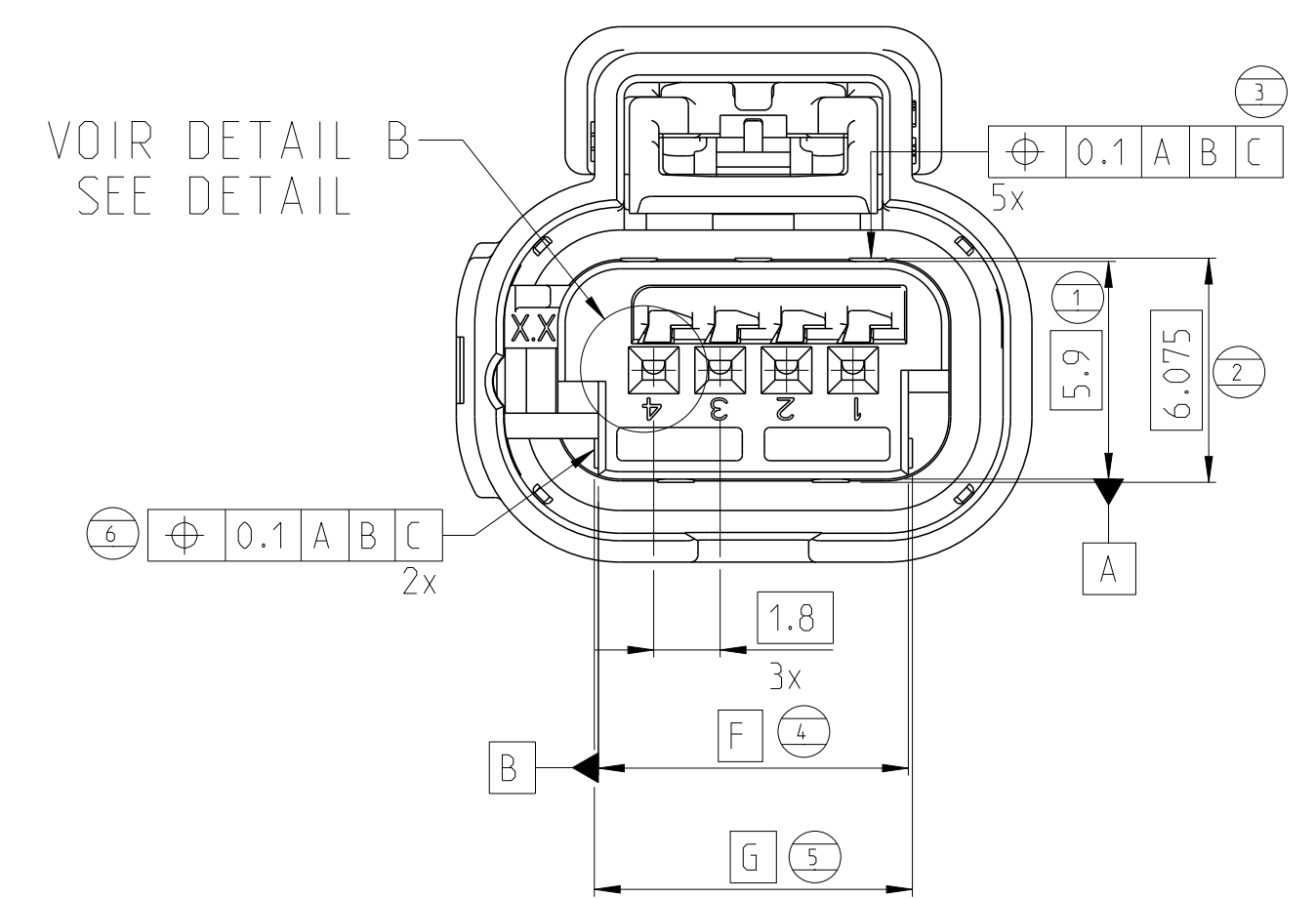
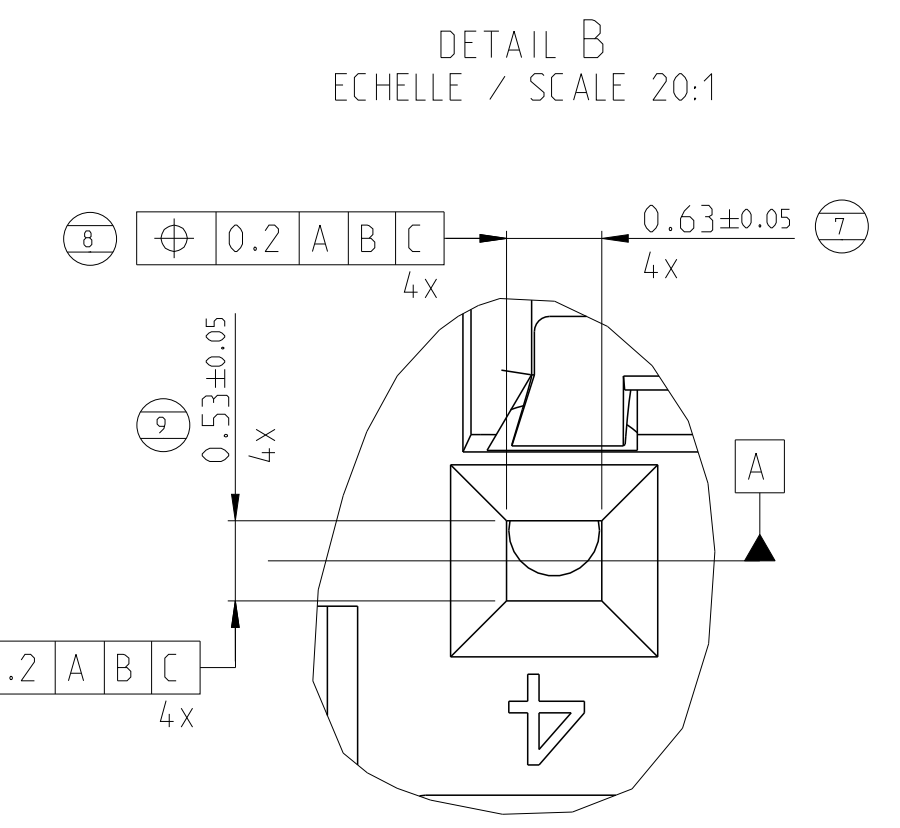
1	0-1801823-1: REPRESENTE	0-1801823-1: AS SHOWN
2	COMPATIBLE AVEC ALVEOLES STD. CLIPS CB MCON 0.50	COMPATIBLE WITH STD. RECEPTACLE CAVITY MCON 0.05 CB
3	CONDITIONNEMENT SUIVANT NORME: E73-03-1500	PACKAGING IN ACCORDANCE WITH STANDARD: (SEE RIGHT COLUMN)
4	REPERE ALVEOLES	CAVITY NUMBER
5	LOGO TE	TE STAMP
6	IDENTIFICATION MATIERE	MATERIAL IDENTIFICATION
7	DATE DE MOULAGE	MOLDING DATE CODE
8	N° EMPREINTE DU MOULE	MOLD CAVITY IDENTIFICATION
9	REFERENCE COMPOSANTS	COMPONENTS PART NUMBER
10	CLASSE TEMPERATURE: T2 CLASSE VIBRATION: V1 CLASSE ETANCHEITE: E2A (IPX8 - IPX9K)	TEMPERATURE CLASS: SEE RIGHT COLUMN VIBRATION CLASS: SEE RIGHT COLUMN SEALING CLASS: SEE RIGHT COLUMN
11	SUIVI SELON PLAN DE SURVEILLANCE	FOLLOW UP IN CONTROL PLAN
12	INDICE DE REVISION COMPOSANTS	PART REVISION CODE
13	REF. DU PRODUIT ASSEMBLE	ASSEMBLY PART NUMBER
14	IND. DE REV. DU PRODUIT ASSY	ASSEMBLY PART REVISION CODE
15	DATE D'ASSEMBLAGE	ASSEMBLY DATE CODE
16	FONCTIONS D'ETANCHEITE	SEALING FUNCTIONS



VOLUME A LAISSER POUR ACCOUPLEMENT / DESACCOUPLEMENT
 FREE SPACE FOR MATING / UNMATING



VOLUME MONTE SUR PORTE-LANGUETTES
 OVERALL DIMENSIONS MATED ON TAB CONNECTOR



COULEUR / COLOR	MATIERE / MATERIAL	DESCRIPTION / TITLE	REP. ITEM
GRIS / GREY	PA46-GF30	EPA / CPA	6
VIOLET / PURPLE	PA46-GF15	DOUBLE VERROUILLAGE / SECONDARY LOCKING	5
BLEU / BLUE	SILICONE DURETE 20 SHORE A	JOINT GROMMET / GROMMET SEAL	4
ROUGE ORANGE / RED ORANGE	SILICONE DURETE 50 SHORE A	JOINT D'INTERFACE / RADIAL SEAL	3
NOIR / BLACK	PA46-GF15	PORTE-MODULE / SHIELD	2
VOIR TABLEAU DES REF. / SEE TABLE OF PART NO	PA46-GF15	MODULE / COUVERCULE (VOIR TABLEAU DES REFS) / SOCKET HOUSING (SEE TABLE OF PART P/N)	1

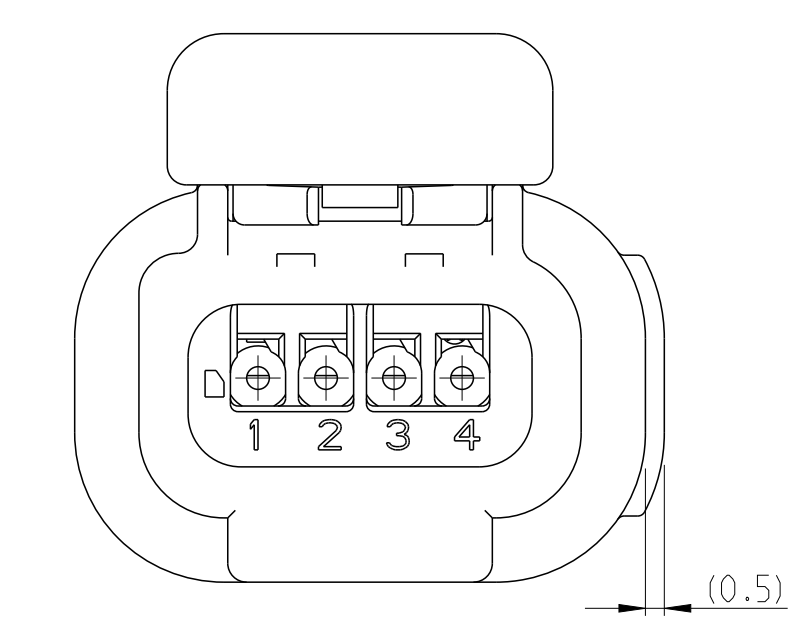
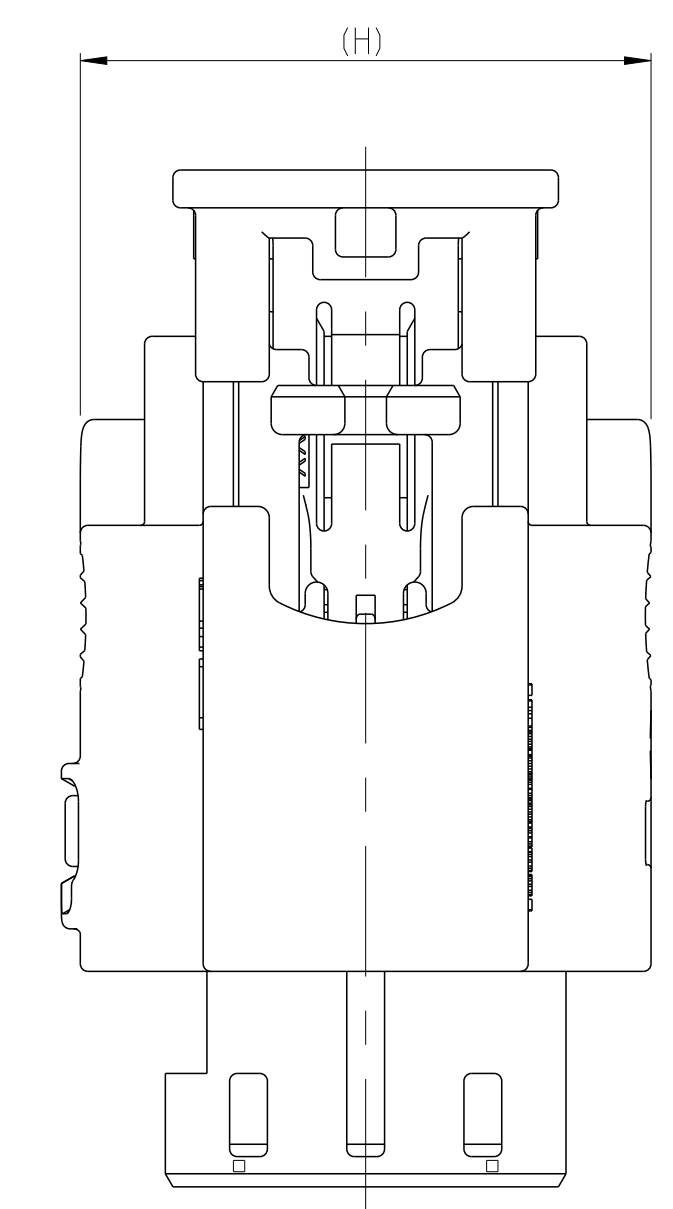
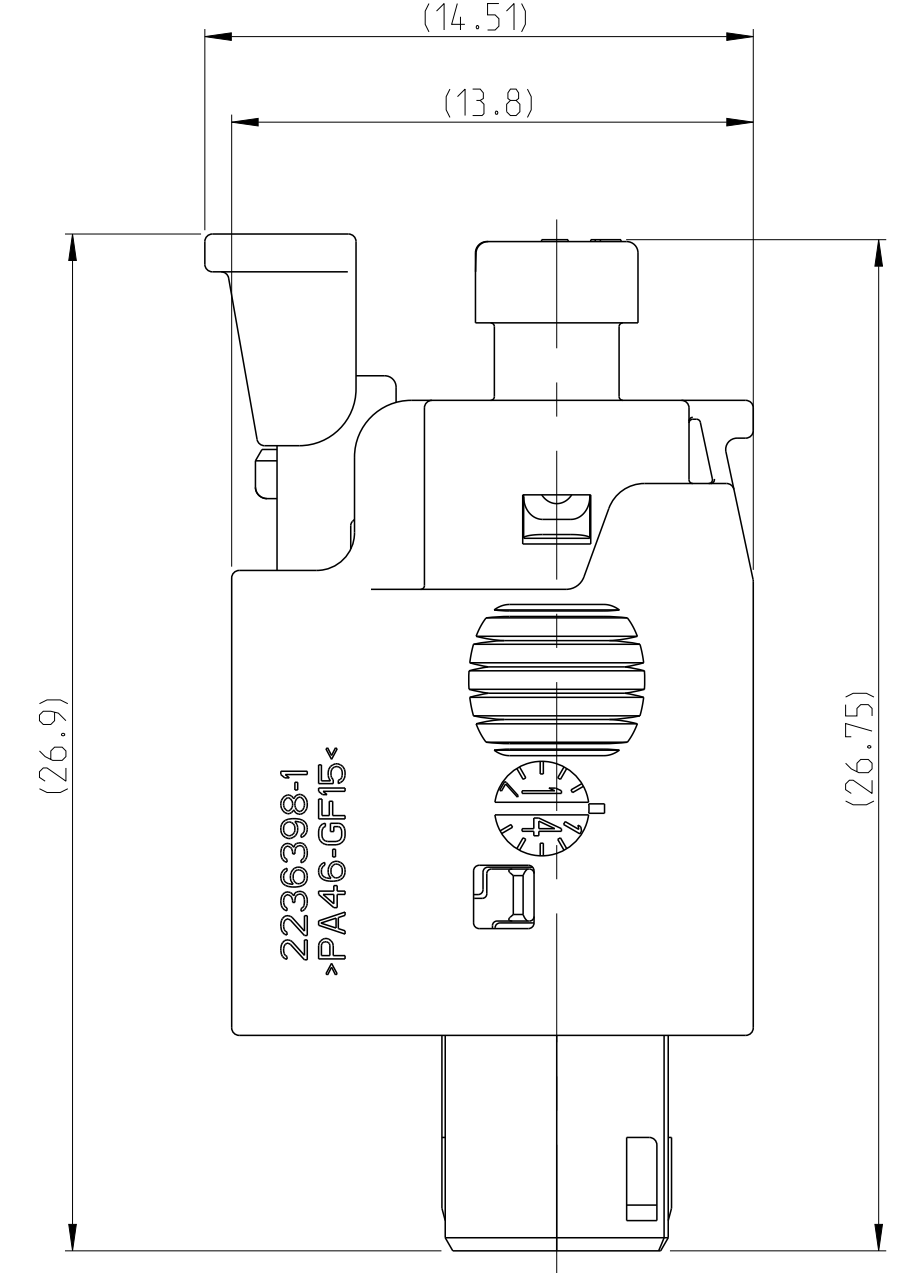
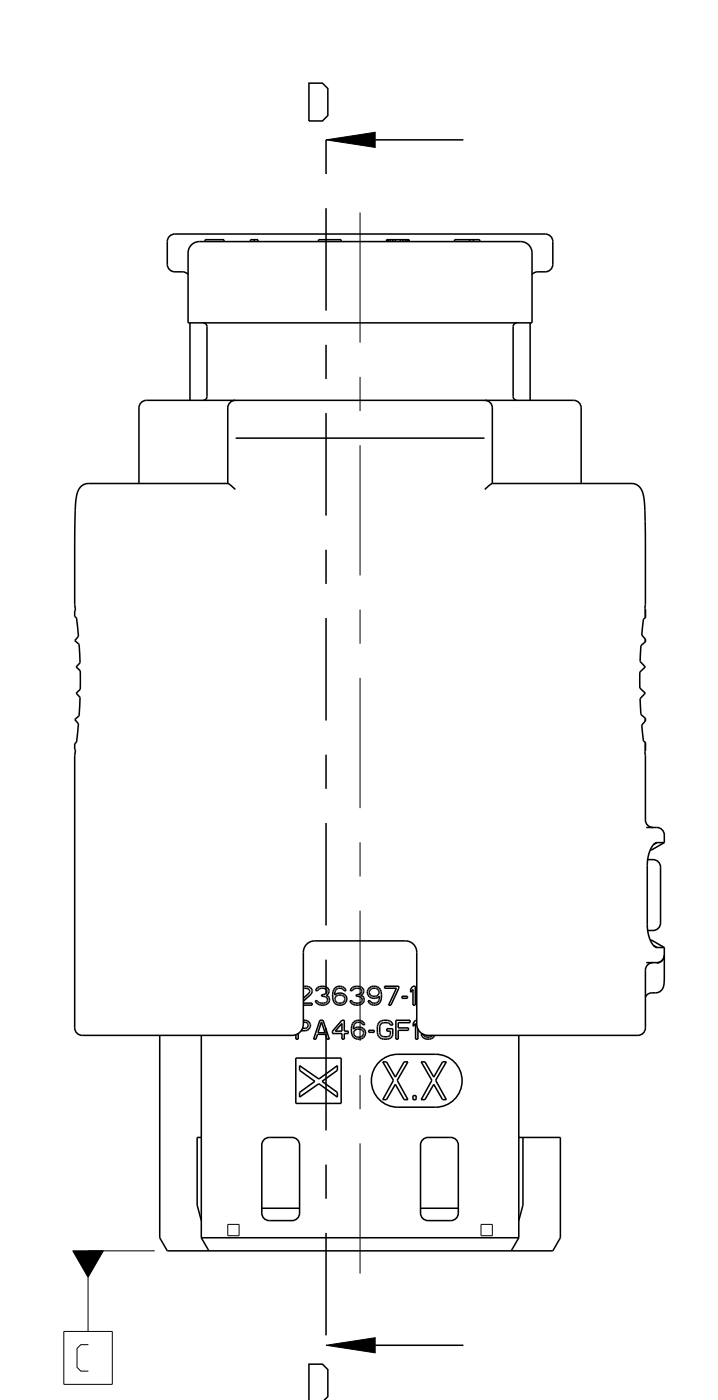
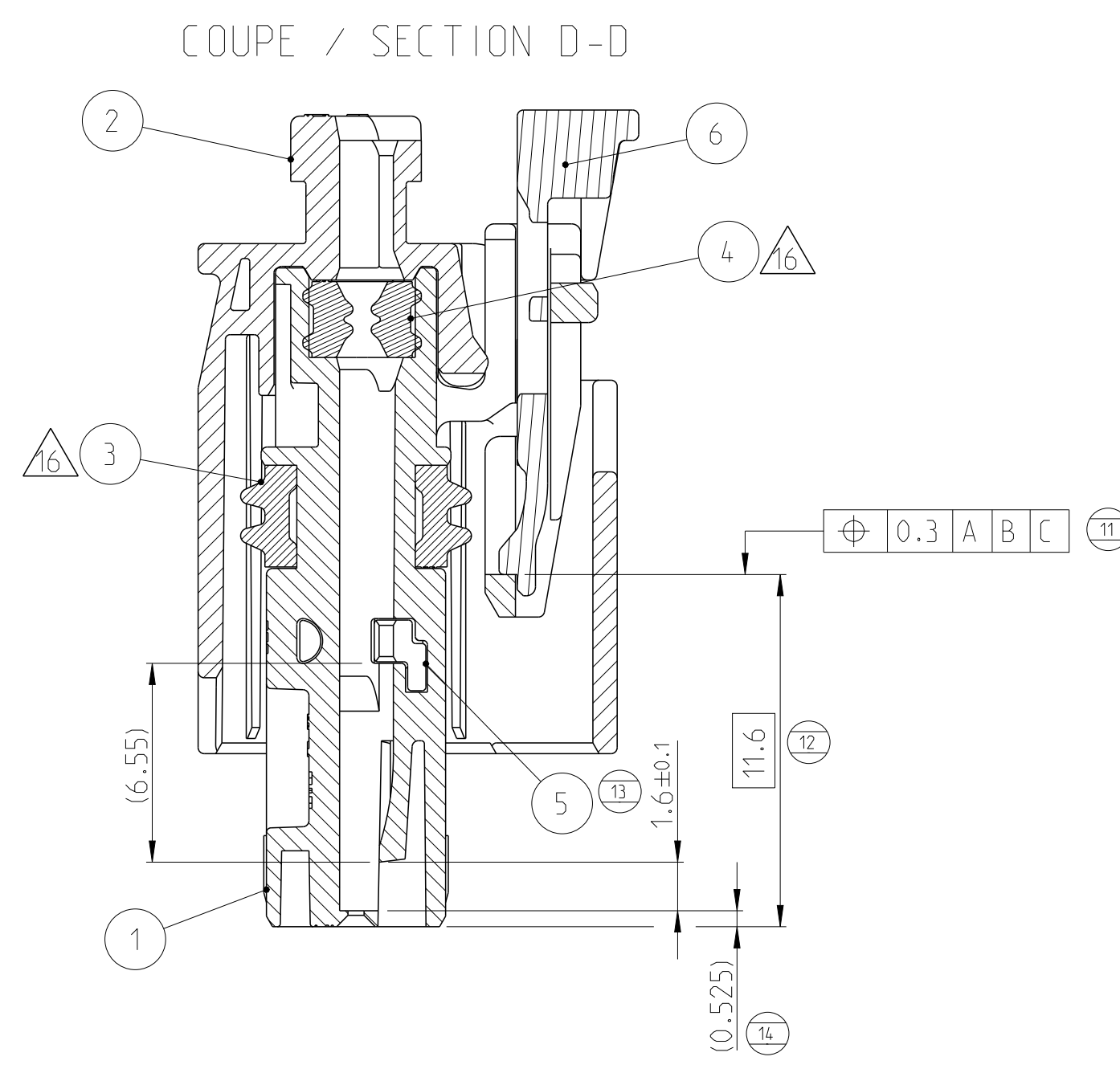
COMPOSANTS ASSOCIES / ASSOCIATED COMPONENTS

COMPOSANTS OPTIONNELS / OPTIONAL COMPONENTS

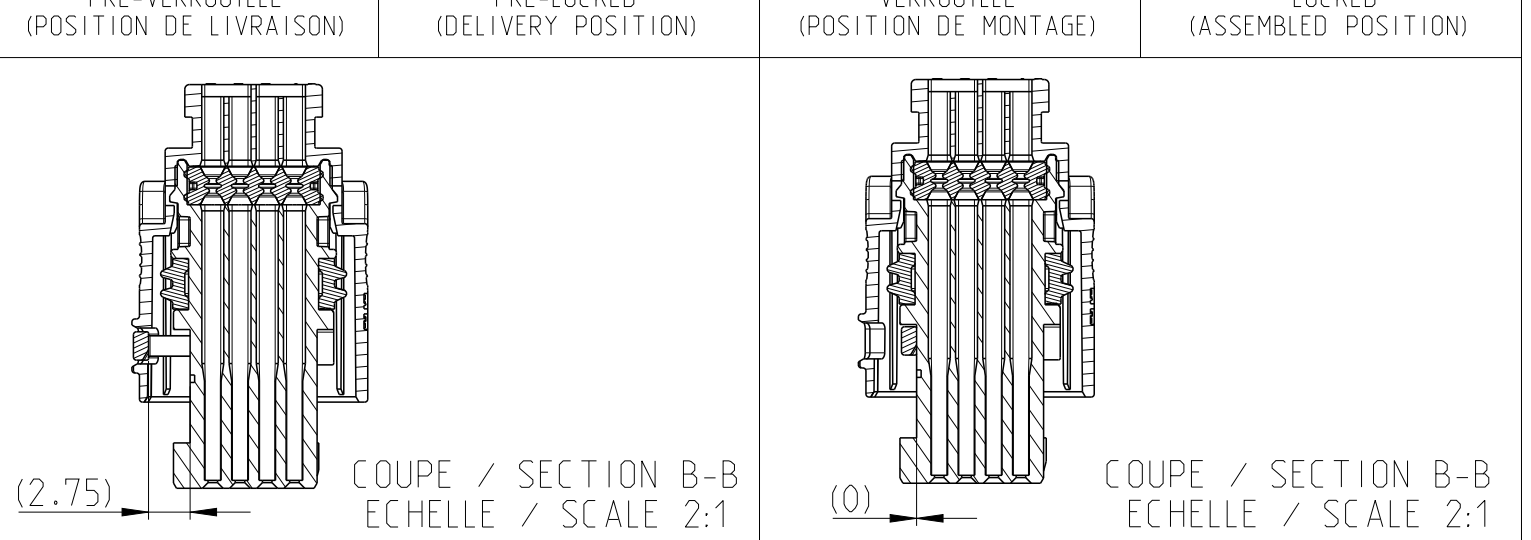
REFERENCE TE / TE PN	MATIERE / MATERIAL	DESCRIPTION / TITLE	COULEUR / COLOR
2236139	PA46-GF15	OBTURATEUR / SEAL PLUG	BLANC / WHITE

SERTISSAGE STANDARD CLIP MCON 0.5
 STANDARD CRIMP MCON 0.5 RECEPTACLE

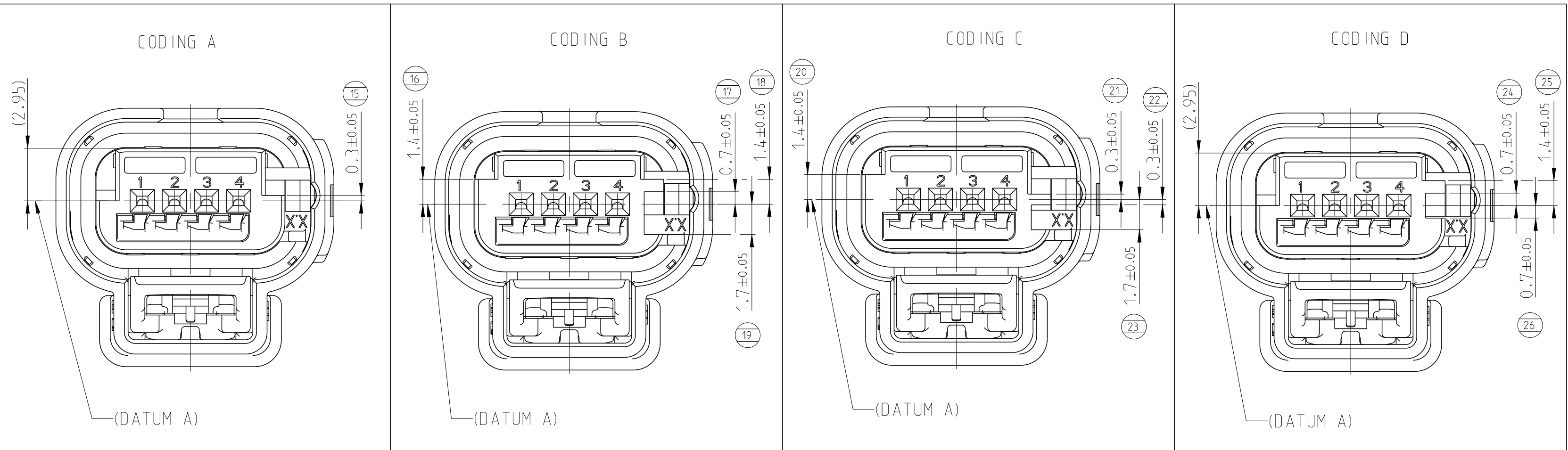
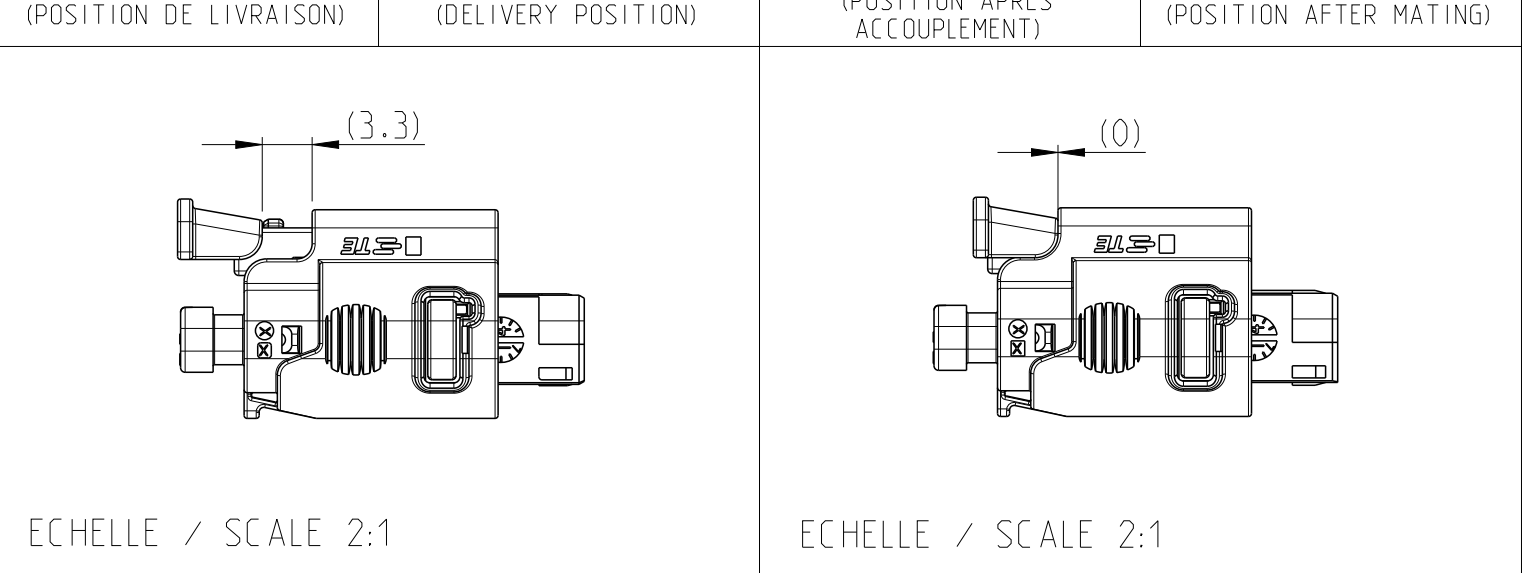
REFERENCE TE / TE PN	MATIERE / MATERIAL	REVELTEMENT / COATING	SECTIONS FILS / WIRE SIZE RANGE	DIA METRE MIN/MAX / ISOLANT MAX/MIN INSULATION DIAMETER
0-2177909-3	CuNiSi	ARGENTE / SILVER PLATED	0.22 - 0.35mm ²	1.15mm / 1.35mm
0-2177909-1	CuSnB	ETAME / TINNED	0.22 - 0.35mm ²	NON TESTE / NOT TESTED
0-2177908-3	CuNiSi	ARGENTE / SILVER PLATED	0.13 - 0.17mm ²	NON TESTE / NOT TESTED
0-2177908-1	CuSnB	ETAME / TINNED	0.13 - 0.17mm ²	NON TESTE / NOT TESTED



VERROU SECONDAIRE / SECONDARY LOCK



CPA / CPA



REFERENCE TE / TE PN	REV. COD.	COULEUR / COLOUR	DESCRIPTION	F	G	H	
2435072-7	A	D	MARRON / BROWN	4 POS. MCON 0.5 CB. REC. HSG. SEALED	8.4	8.62	15.1
2435072-5	A	C	VERT / GREEN	4 POS. MCON 0.5 CB. REC. HSG. SEALED	8.4	8.62	15.1
2435072-3	A	B	BLEU / BLUE	4 POS. MCON 0.5 CB. REC. HSG. SEALED	8.4	8.62	15.1
2435072-1	A	A	NOIR / BLACK	4 POS. MCON 0.5 CB. REC. HSG. SEALED	8.4	8.62	15.1

THIS DRAWING IS A CONTROLLED DOCUMENT.

DATE: 23NOV2022
 CHG: S.EAN
 APPROV: S.EAN
 PRODUCT SPEC: 408-15045
 APPLICATION SPEC: 408-15015
 WEIGHT: 2.6 g
 CUSTOMER DRAWING

PC 4W MCON 0.50
 4W MCON 0.50 REC HSG

STE TE Connectivity

SCALE: 5:1
 SHEET: 1 OF 1
 REV: A2