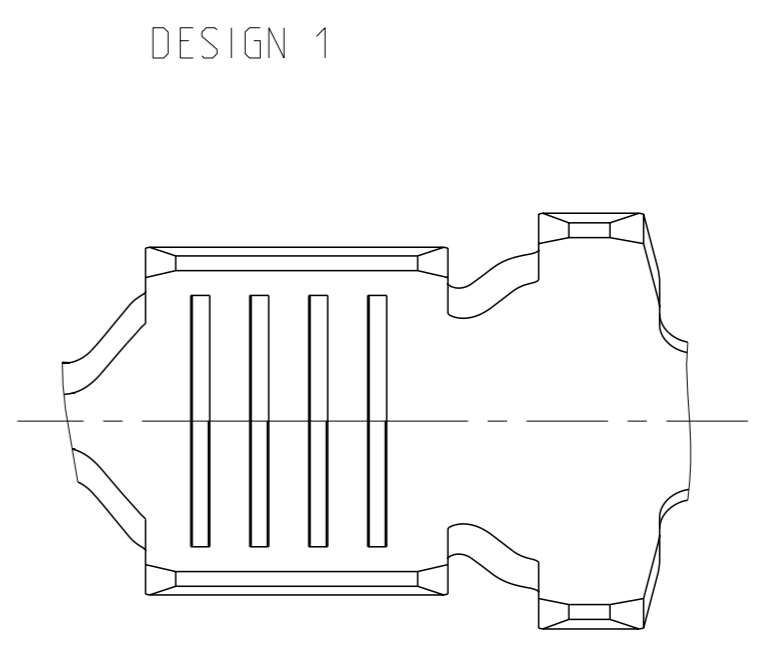
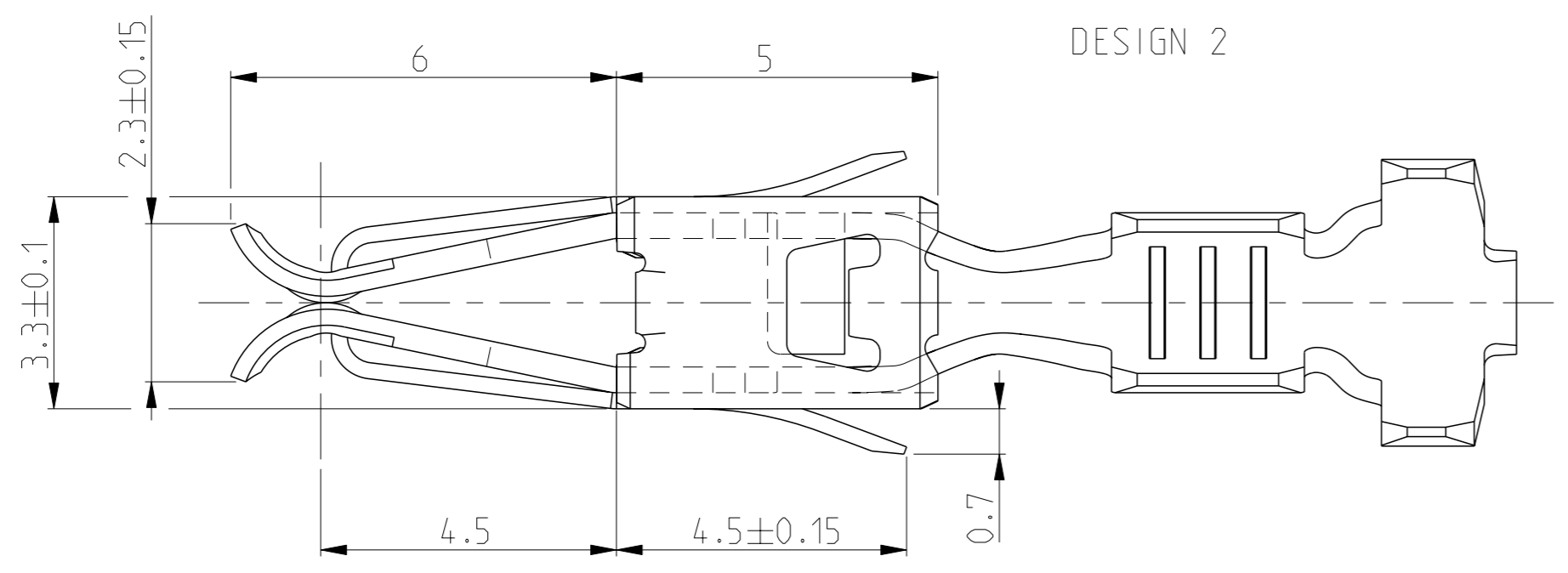
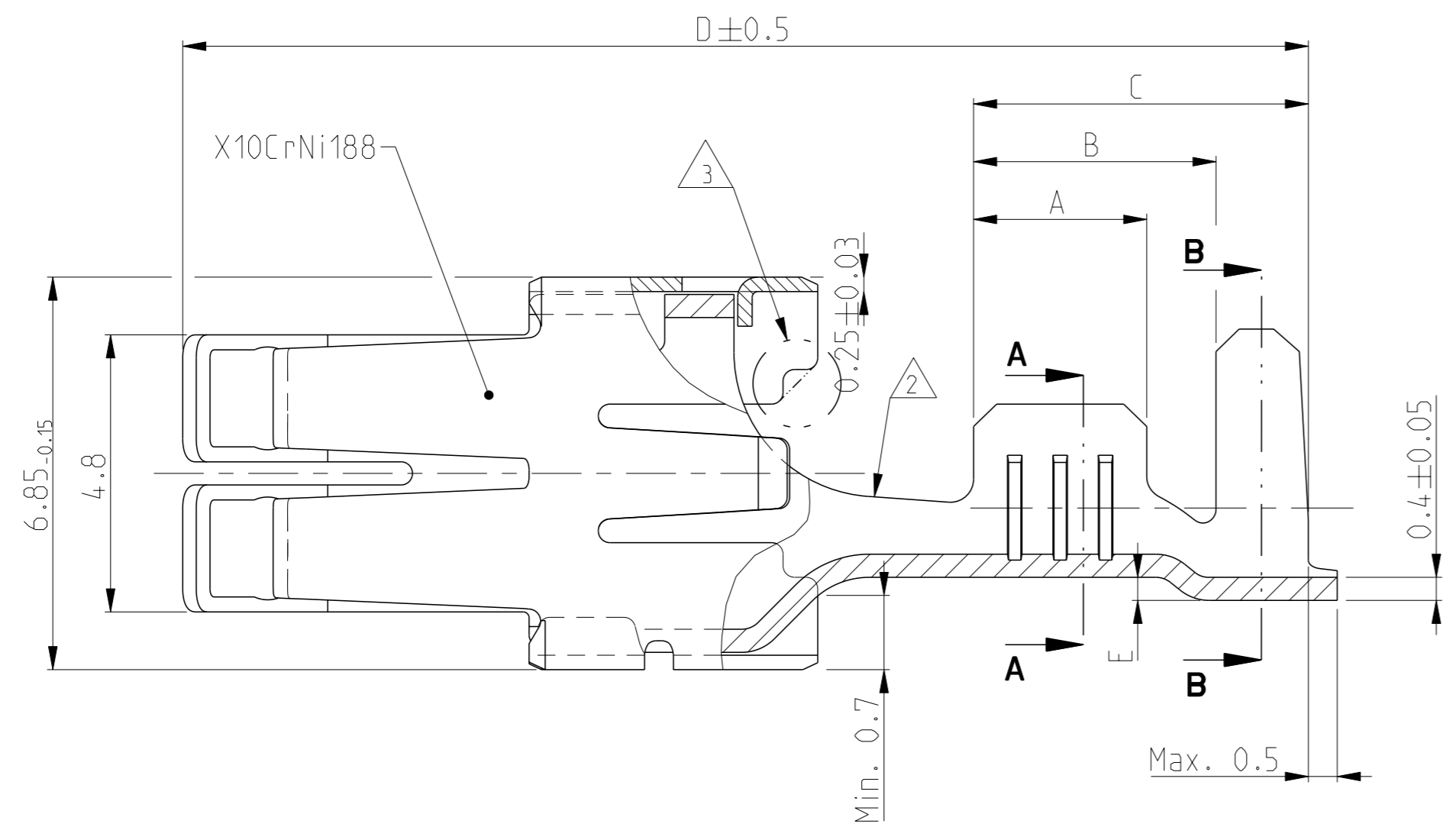


REVISIONS					
#	CT#	DESCRIPTION	DATE	OWN	APVD
A		INITIAL RELEASE	23NOV2022	J.Z	W.Z
A1		REVISE	02DEC2022	J.Z	W.Z
A2		REVISE	11JAN2023	J.Z	W.Z



- NOTE
- 1 CONTACT ZONE SELECTIVE
PRE SILVER PLATED MIN 1-1.5 μm
 - 2 TRANSITION ONLY FOR PN 927827
 - 3 DOTTED LINE IS ALTERNATIVE SHAPE
 - 4. Δ IS SUZHOU VERSION PN , SIMILAR WITH GLOBAL PN Δ

-	2435185-2	CuSn4	PRETINNED	0.5 - 1.0 FLK	E = 2.8 G = 3.0 DDr = 1.1	H = 4.5 K = 4.7 DDr = 2.4	3	4.2	5.8	19.5	0.4	927827-2
-	2435185-1	CuFe2			927827-1							
2435186-2	-	CuSn4	PRETINNED	>2.5 - 4.0 FLK	E = 4.6 G = 4.8 DDr = 2.4	H = 6.3 K = 6.6 DDr = 4.0	4	5.2	6.8	19.5	0.6	927824-2
2435186-1	-	CuFe2			927824-1							
-	2435183-2	CuSn4	PRETINNED	0.5 - 1.0 FLR	E = 2.8 G = 3.0 DDr = 1.1	H = 3.9 K = 4.1 DDr = 1.8	3	4.2	5.8	19.5	0.4	927831-2
-	2435183-1	CuFe2			927831-1							
2438777-5	-	CuFe2	PRETINNED	>2.5 - 4.0 FLR	E = 4.6 G = 4.8 DDr = 2.4	H = 5.5 K = 5.7 DDr = 3.3	4	5.2	6.8	19.5	0.6	927829-5
2438777-2	-	CuSn4										927829-2
2438777-1	-	CuFe2										927829-1
PN Δ (DESIGN 1)	PN Δ (DESIGN 2)	MATERIAL										SURFACE
					STRIP FORM							
					CRIMP DIMENSION (mm)							

THIS DRAWING IS A CONTROLLED DOCUMENT.

DIMENSIONS: mm	TOLERANCES UNLESS OTHERWISE SPECIFIED: 0 PLC ±0.10 1 PLC ±0.15 2 PLC ±0.13 3 PLC ±0.0001 FINISH ±2°	OWN: J.ZHANG CHK: J.GU APVD: W.ZHANG	DATE: 23NOV2022	TE Connectivity NAME: STANDARD POWER TIMER PRODUCT GROUP DRAWING
MATERIAL: -	FINISH: -	SIZE: 114-18037 WEIGHT: -	APPLICATION SPEC: 108-18025	
CUSTOMER DRAWING		SCALE: 10:1	SHEET: 1 OF 1	REV: A2