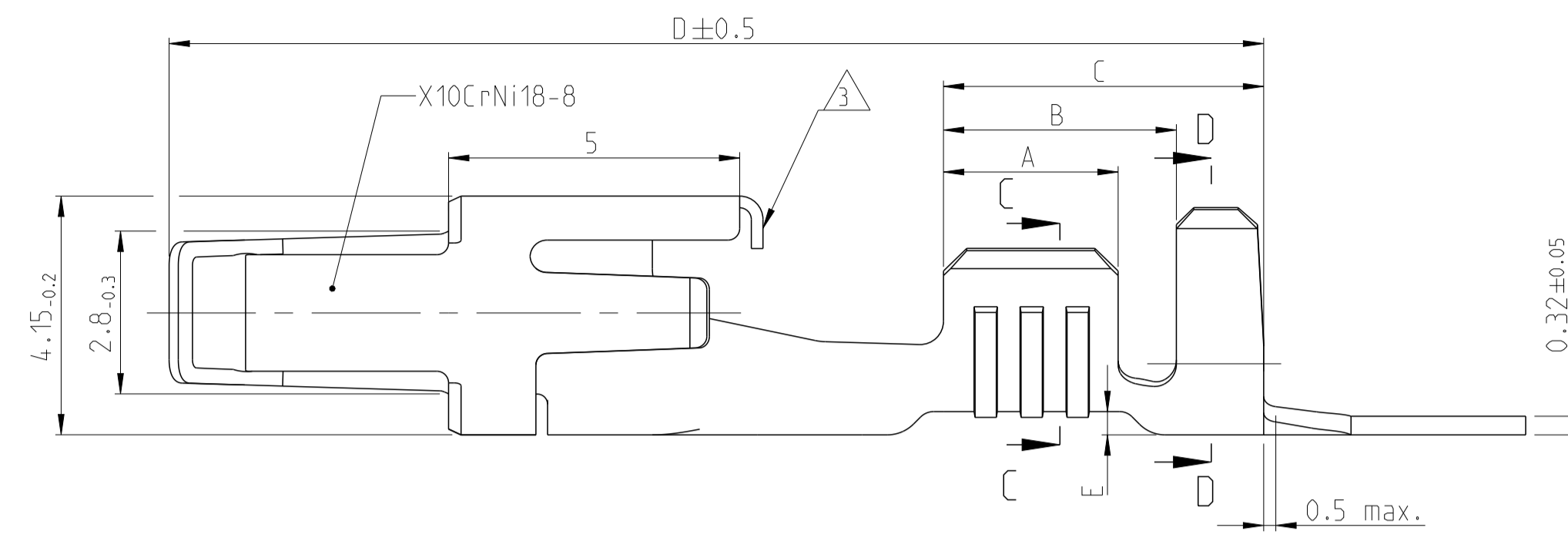
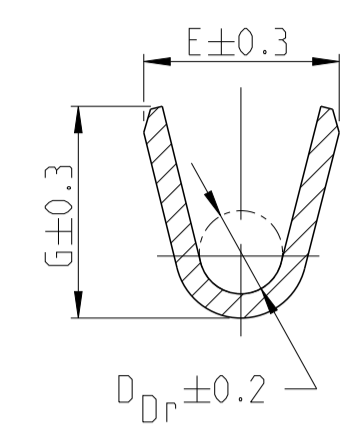


| REVISIONS | | | | |
|-----------|-----|-----------------|-----------|---------|
| P | LTN | DESCRIPTION | DATE | APVD |
| A | | INITIAL RELEASE | 22NOV2022 | J.Z W.Z |
| A1 | | REVISE | 11JAN2023 | J.Z W.Z |
| A2 | | ECR-24-211381 | 04JUL2024 | SDT W.Z |

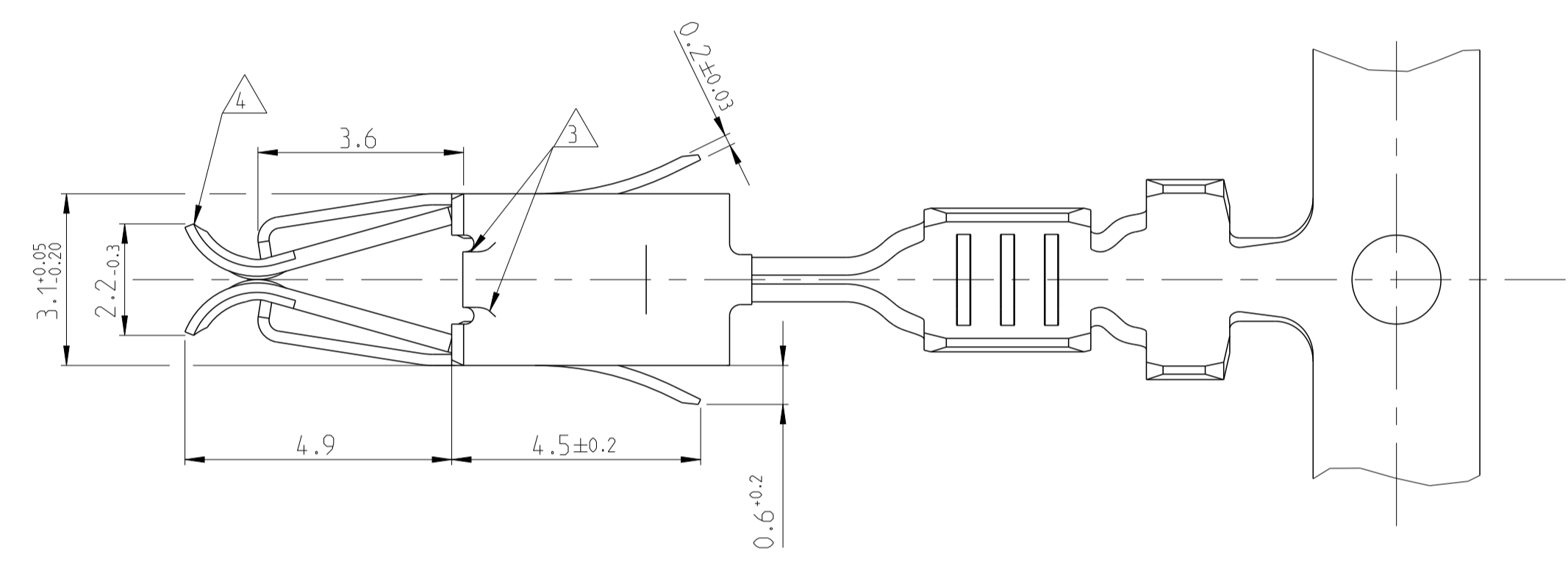
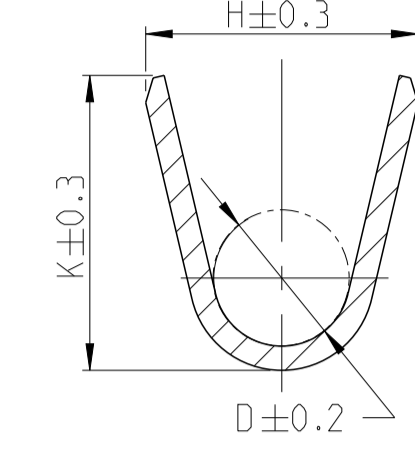
DESIGN 1



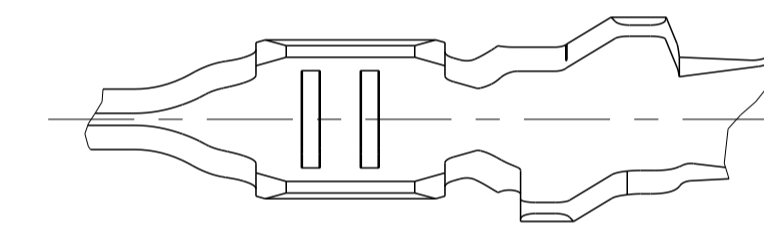
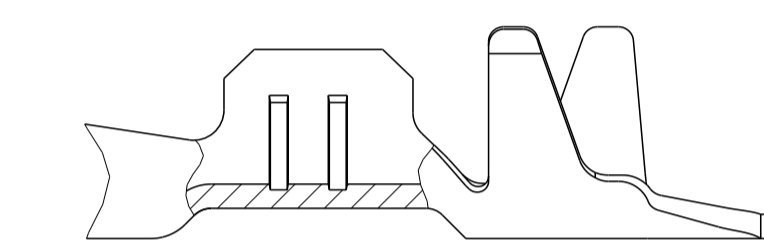
SECTION C-C



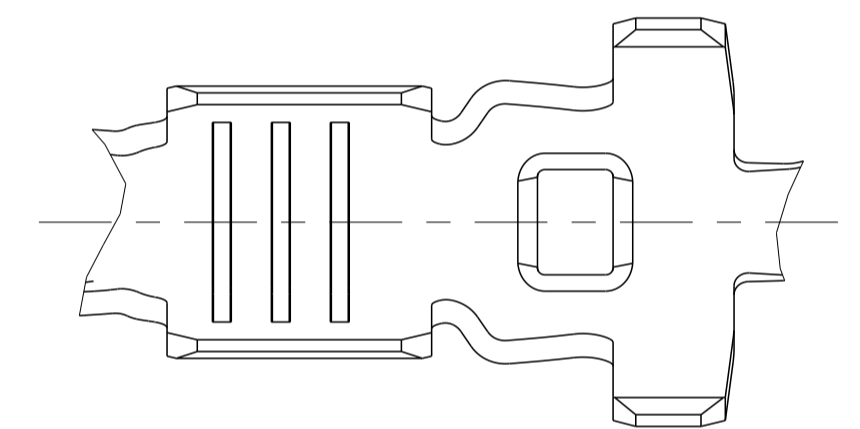
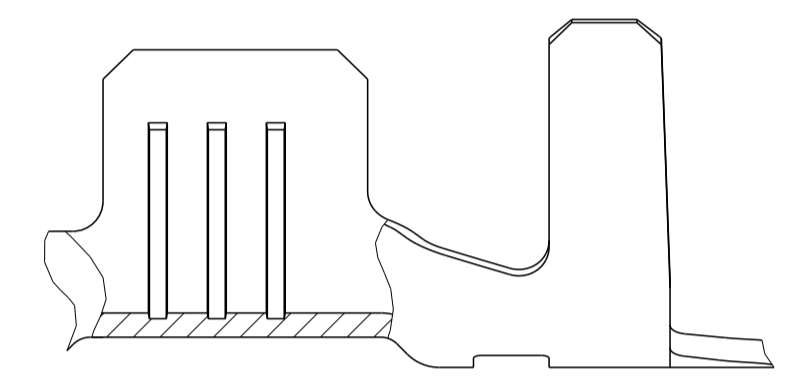
SECTION D-D



DESIGN 2



DESIGN 3

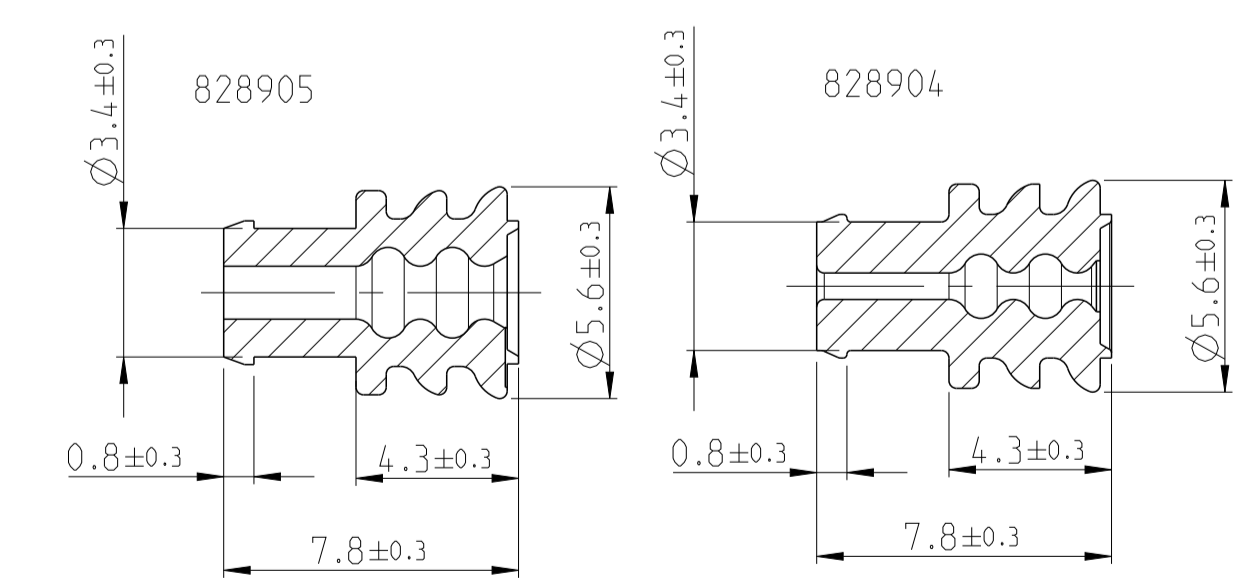
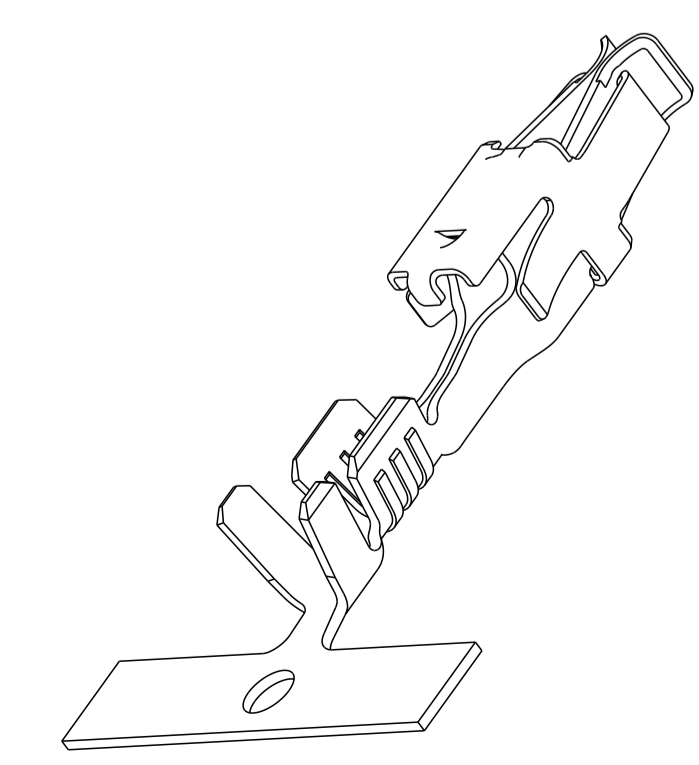


NOTES A2

- 1 CONTACT BODY PRE-SILVER PLATED MIN. 0.8µm
CONTACT ZONE SELECTIVE PRE-SILVER PLATED MIN. 3µm
- 2 CONTACT ZONE GOLD PLATED MIN. 0.8µm OVER MIN. 1.3µm NICKEL-LAYER
CRIMP AREA MIN.1µm TIN PLATED OVER NICKEL-LAYER
- 3 CONTACT OFF OPTIONAL
- 4 SAWAG ONLY FOR PN 2435179
- 5 ACCORDING INSULATION DIA IS TO CHOOSE THE SINGLE WIRE SEAL

| SINGLE WIRE SEAL 5 | | |
|--------------------|--------------|--------|
| ORDER No. | INSULATION Ø | COLOUR |
| 828904-1 | 1.2-2.1 | blue |
| 828905-1 | 2.2-3.0 | white |

| UNSEALED | PN | DESIGN | MATERIAL | SURFACE | WIRE RANGE [mm ²] | INSULATION Ø [mm] | CRIMP DIMENSION (mm) | | | | | A2 | |
|------------------|--------------------|--------|--------------------|--------------------|-------------------------------|-------------------|---------------------------------|-------------------------------|-----|-----|-----|------|-----|
| | | | | | | | A | B | C | D | E | | |
| UNSEALED | 2437496-3 | 1 | CuSn4 | PRETINNED min. 1µm | >1.0-2.5 FLR | 2.1-3.1 | E = 3.6 G = 3.8 DDr = 1.8 | H = 4.7 K = 4.9 D = 2.6 | 3.3 | 4.3 | 5.8 | 18.8 | 1.4 |
| | 2437496-1 | | CuFe2 | | | | | | | | | | |
| | 2435187-6 | 1 | CuSn4 | 1 | 0.5-1.0 FLR | 1.4-2.3 | E = 2.6 G = 2.8 DDr = 1.1 | H = 3.6 K = 3.9 D = 1.8 | 3 | 4 | 5.5 | 18.8 | 0.4 |
| | 2435187-3 | | CuFe2 | | | | | | | | | | |
| | 2435187-1 | | CuFe2 | | | | | | | | | | |
| | 2438788-3 | 2 | CuSn4 | PRETINNED min. 1µm | 0.2-0.5 FLR | 1.0-1.6 | E = 2.1 G = 2.1 DDr = 0.8 | H = 2.7 K = 2.8 D = 1.4 | 2.5 | 3.5 | 5.6 | 18.8 | 0.4 |
| 2438788-1 | CuFe2 | | | | | | | | | | | | |
| SINGLE WIRE SEAL | 2435069-3 | 3 | CuSn4 | PRETINNED min. 1µm | >1.0-2.5 FLR | 2.7-3.0 | E = 3.6 G = 3.8 DDr = 1.8 | H = 5.4 K = 4.6 D = 3.2 | 3.5 | 5.9 | 7.5 | 18.8 | 0.4 |
| | 2-2435179-1 | 3 | CuSn4 | 2 | 0.5-1.0 FLR | 1.4-2.1 | E = 2.6 G = 2.8 DDr = 1.1 | H = 5.4 K = 4.6 D = 3.2 | 3 | 5.4 | 7 | 21 | 0.6 |
| | 2435179-6 | | | 1 | | | | | | | | | |
| | 2435179-3 | | PRETINNED min. 1µm | | | | | | | | | | |
| | 2435179-1 | CuFe2 | | | | | | | | | | | |
| | 2-2437435-1 | 3 | CuSn4 | 2 | 0.5-1.0 FLR | 1.4-2.1 | E = 2.6 G = 2.8 DDr = 1.1 | H = 5.4 K = 4.6 D = 3.2 | 3 | 5.4 | 7 | 18.8 | 0.6 |
| 2437435-3 | PRETINNED min. 1µm | | | | | | | | | | | | |
| | PN | DESIGN | MATERIAL | SURFACE | WIRE RANGE [mm ²] | INSULATION Ø [mm] | CRIMP DIMENSION (mm) | | | | | | |



| | | | |
|--|--|--|---|
| THIS DRAWING IS A CONTROLLED DOCUMENT. | | OWN: J.ZHANG 22NOV2022 | |
| DIMENSIONS: mm | | CHK: J.GU 22NOV2022 | |
| TOLERANCES UNLESS OTHERWISE SPECIFIED: | | APVD: W.ZHANG 22NOV2022 | NAME: JUNIOR POWER TIMER CONTACT PRODUCER GROUP DRAWING |
| 0 PLC ±0.5 1 PLC ±0.13 2 PLC ±0.13 3 PLC ±0.013 4 PLC ±0.001 ANGLES ±1° | | PRODUCT SPEC: 108-18013 APPLICATION SPEC: 116-18050 | |
| MATERIAL: - | | WEIGHT: - | SIZE: A1 CAGE CODE: 00779 DRAWING NO: ©=2437435 |
| FINISH: - | | CUSTOMER DRAWING | RESTRICTED TO: - SCALE: 10:1 SHEET: 1 OF 1 REV: A2 |