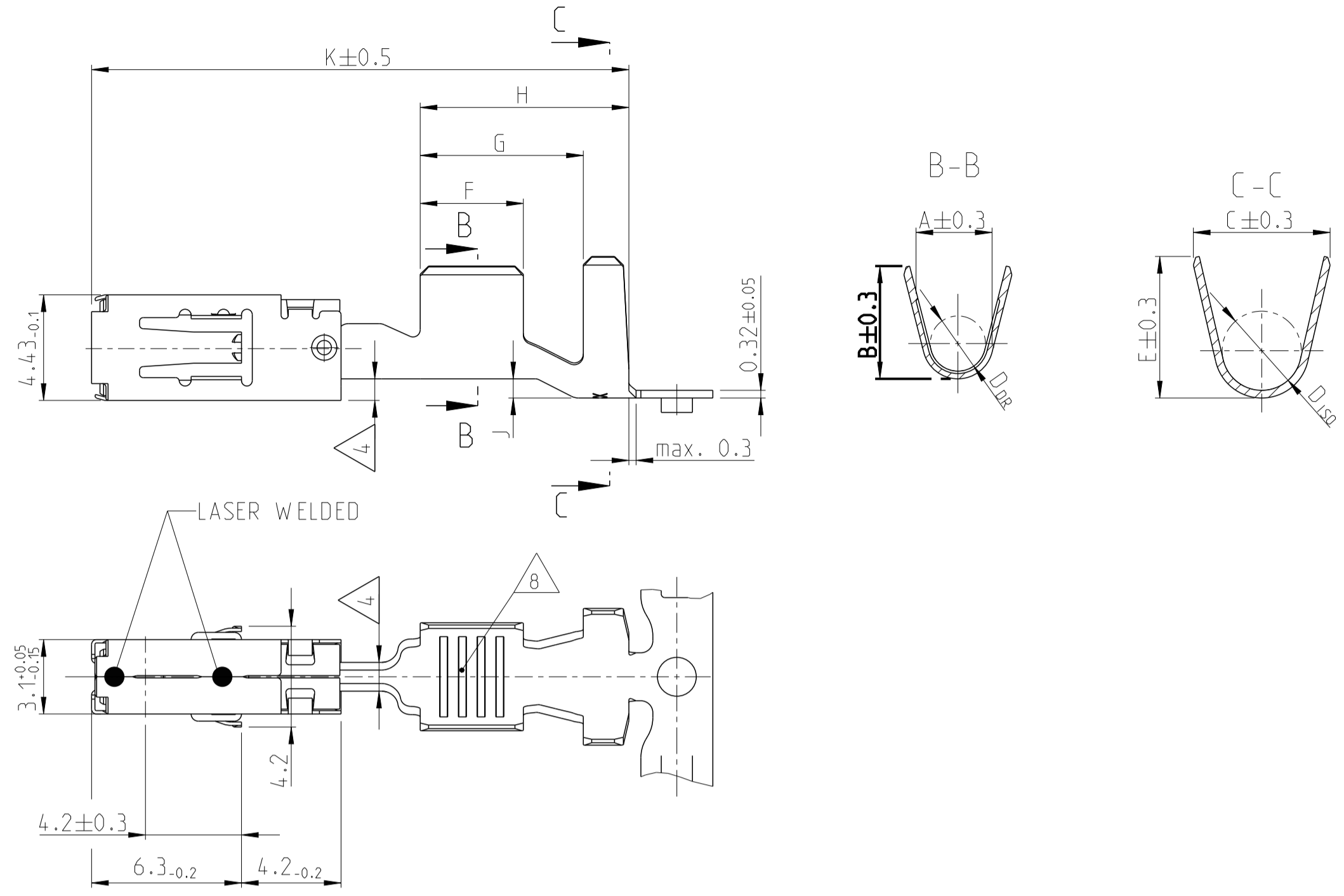
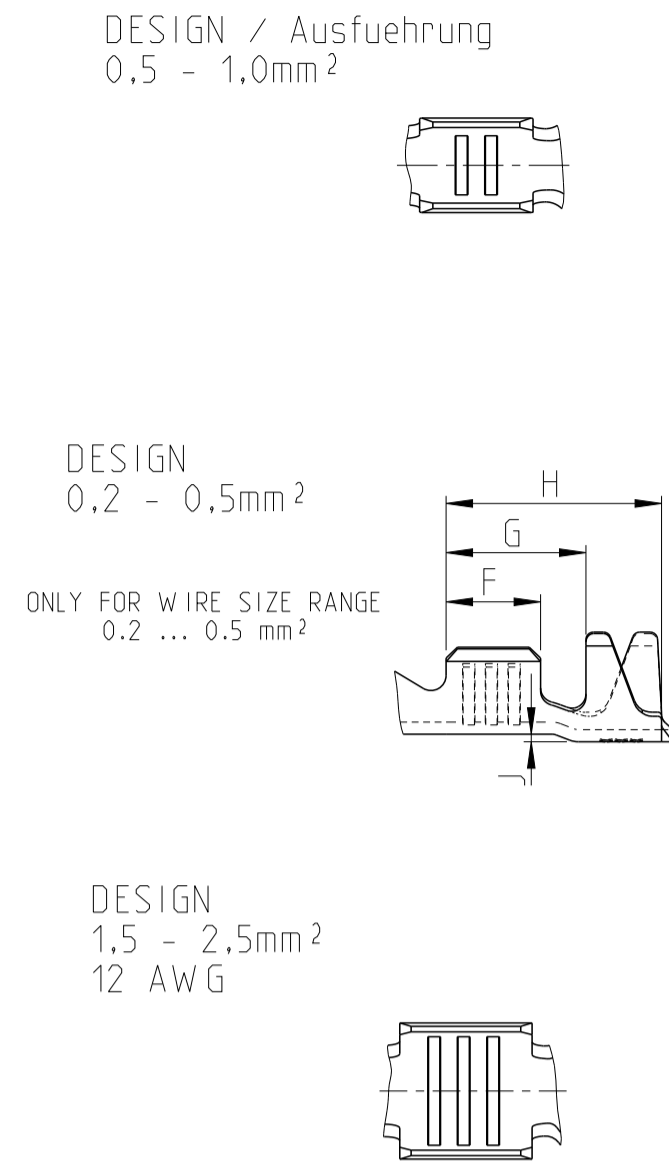


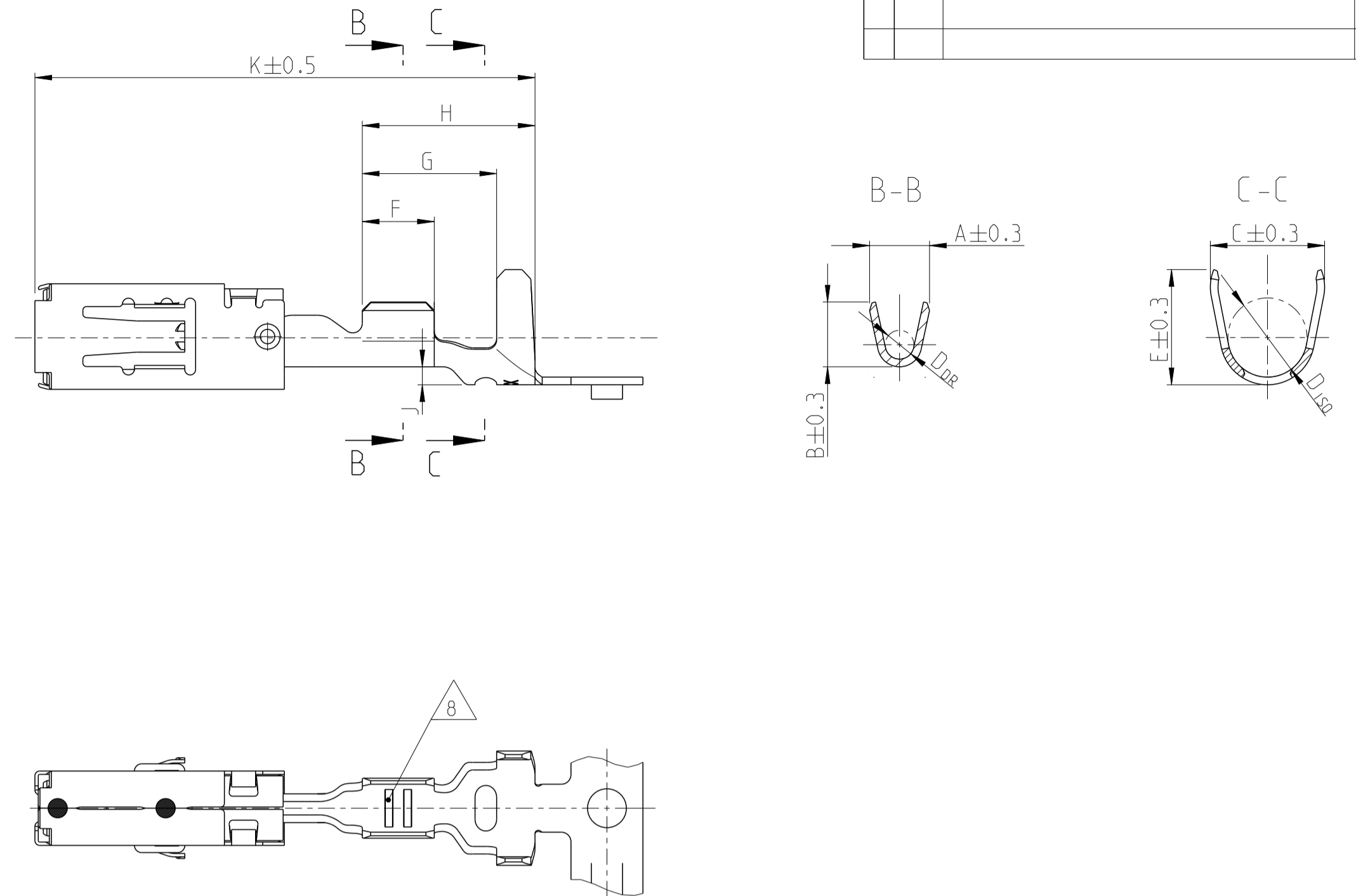
# STANDARD CRIMP



# SERRATION DESIGN



# SINGLE WIRE SEAL



REVISIONS				
P.	LTN	DESCRIPTION	DATE	APVD
A		INITIAL RELEASE	10NOV2022	S.D W.Z

### NOTES:

- Bemerkungen:
- MATING PART SEE INTERFACE DRAWING  
TE-NO.: 114-18230-002
  - SURFACE:**  
- PRE TIN PLATED 1 TO 3 µm
  - DOUBLE CRIMPS ARE ONLY POSSIBLE WITH APPLICATORS AUTHORIZED BY TE (NO HAND TOOL) SUITABLE TOOLS ON REQUEST
  - GAUGE INSPECTION**
  - DETAILS OF DESIGN ARE LEFT TO MANUFACTURER
  - ONLY GERMAN LANGUAGE VERSION SHALL BE BINDING
  - PUNCHING OIL RAZIOL CLF 11 S
  - DIFFERENT FORM AND NUMBER OF THE SERRATIONS POSSIBLE**

VERSION	ORDER-NO. STRIP-FORM	BODY SPRING	MATERIAL	SURFACE	WIRE SIZE RANGE mm²	INSULATION DIAMETER mm	CRIMP DIMENSIONS										WEIGHT g	SINGLE WIRE SEAL TE CONNECTIVITY NO.	DEAD END PLUG TE CONNECTIVITY NO.	APPLICATION TOOLS	
							A	B	DDr	C	E	DISO	F	G	H	J					K
SINGLE WIRE SEAL	1-2434955-1	X10CPN118-8	PRE TIN PLATED	2	0.5 - 1.0	1.4 - 2.1	2.5	2.7	1.2	4.8	4.8	3.3	3.0	5.6	7.2	0.75	21.0	0.54	828904-1	828922-1	SEE APPLICATION SPECIFICATION 114-18148
STANDARD CRIMP	1-2434953-1				1.5 - 2.5	2.2 - 3.3	3.6	3.8	1.7	4.6	5.0	2.6	3.5	5.1	6.7	0.3	20.2	0.56	-	-	
	1-2434952-1				0.5 - 1.0	1.4 - 2.1	2.5	2.7	1.2	3.3	3.5	1.8	3.0	4.6	6.2	0.2	20.2	0.51	-	-	
	1-2438888-1				0.2 - 0.5	1.2 - 1.4	2.4	2.3	1.0	2.9	2.9	1.4	2.5	3.8	5.7	0.2	20.2	0.48	-	-	

THIS DRAWING IS A CONTROLLED DOCUMENT.

DIMENSIONS: mm	TOLERANCES UNLESS OTHERWISE SPECIFIED: PLC ±0.2 PCC ±0.001 PCL ±0.01 ANGLES ±1°	OWN S.D.U CHK J.G.U APVD W. ZHANG 10NOV2022	10NOV2022	NAME	PRODUCT SPEC
MATERIAL	FINISH	108-18513 114-18148	114-18148	SIZE CAGE CODE DRAWING NO	RESTRICTED TO
CUSTOMER DRAWING		WEIGHT	SCALE 5:1	SHEET 1 OF 1	REV A

TE Connectivity  
PRODUCT GROUP DRAWING FOR AMP MCP 2.8  
A | 00779 C=2438888