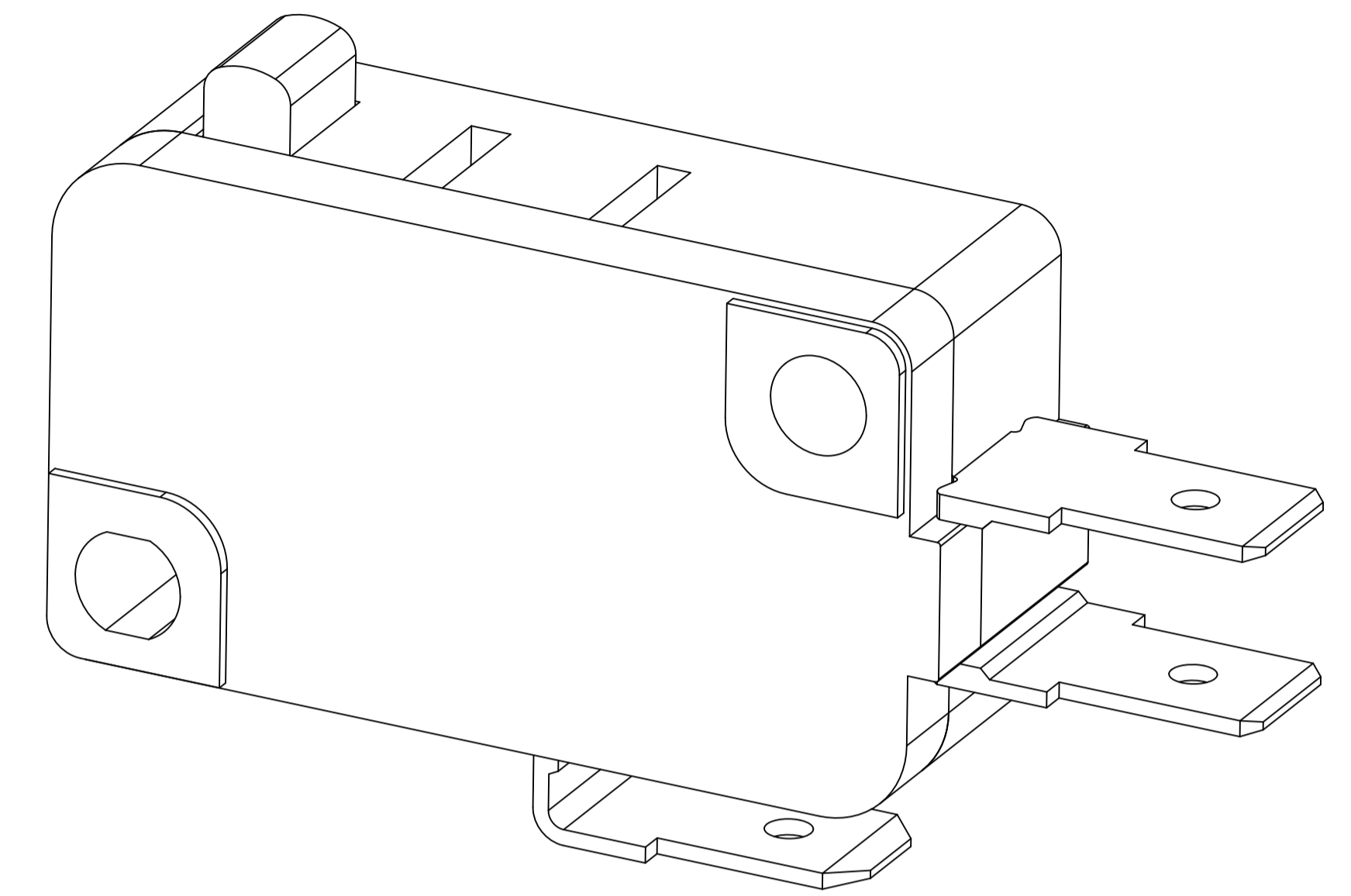
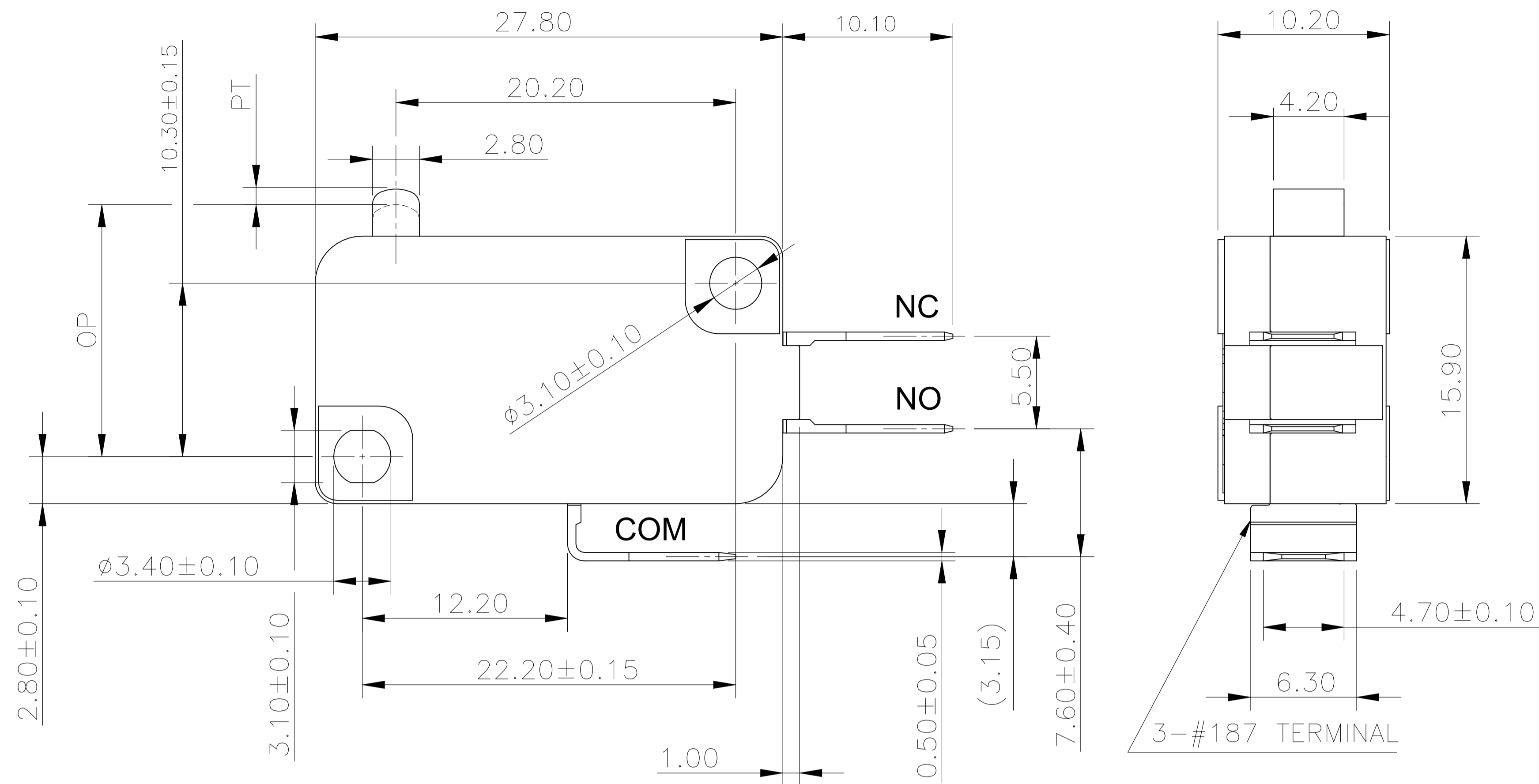


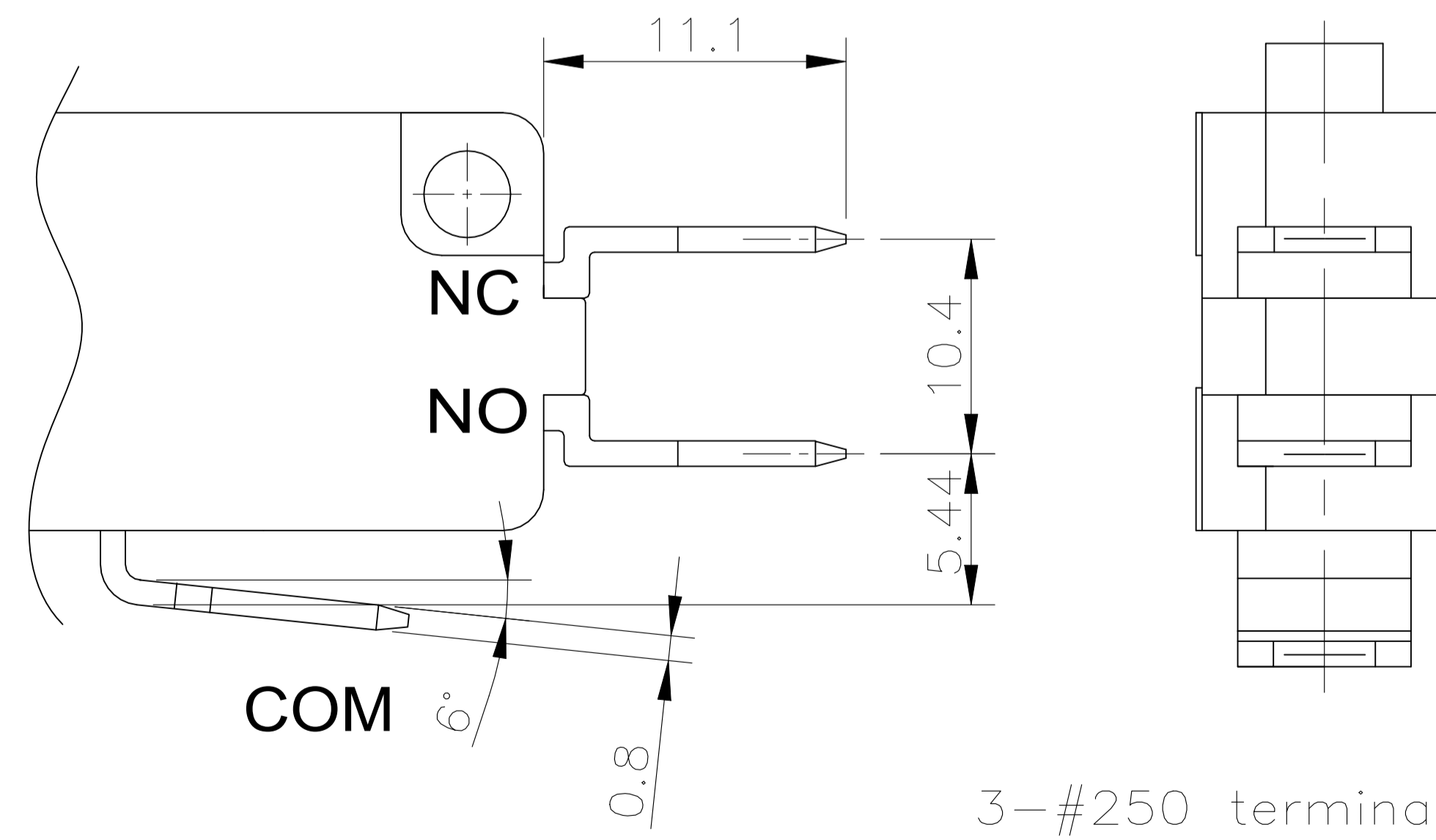
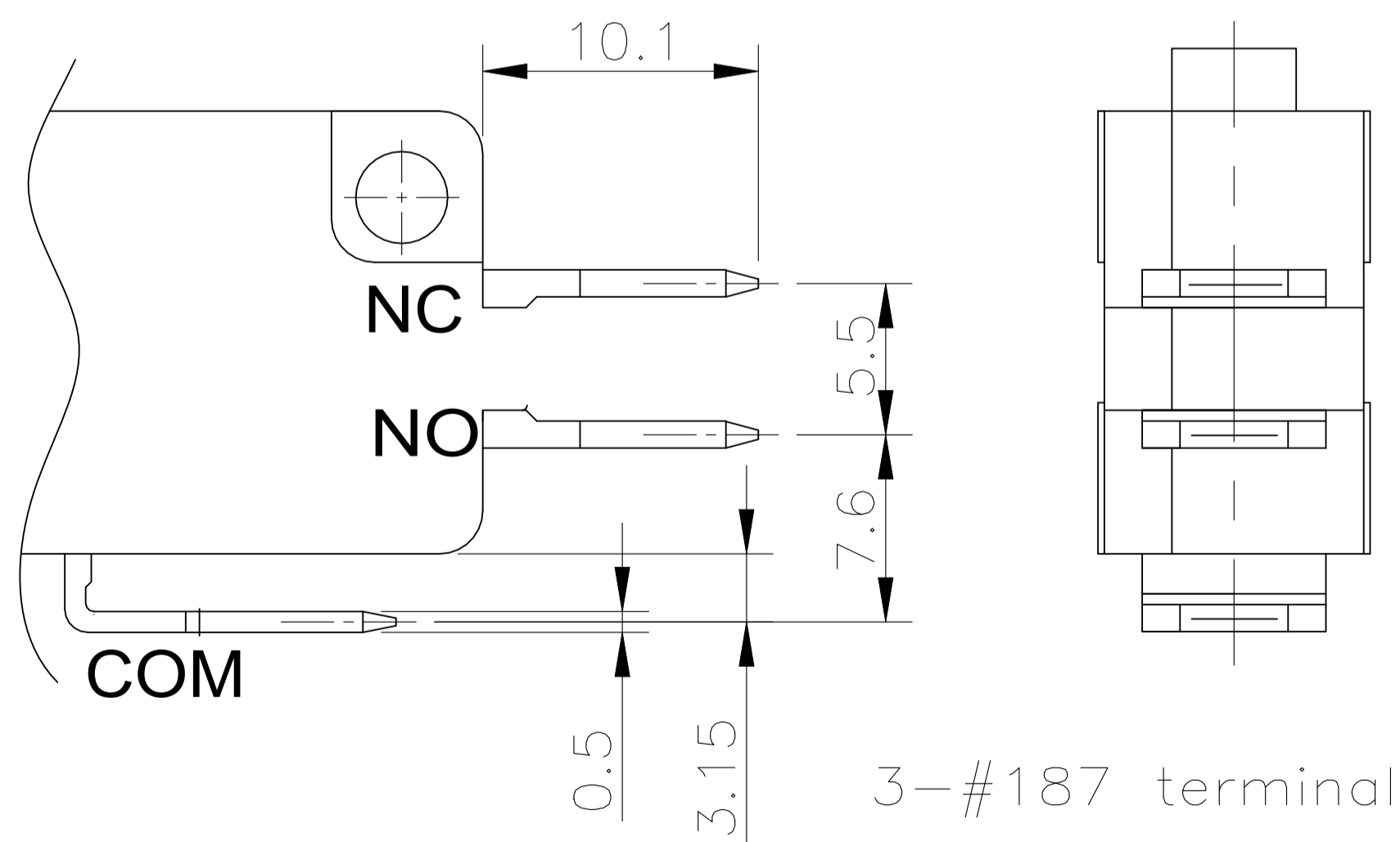
REVISIONS				
REV	DATE	DESCRIPTION	BY	APP'D
1	03MAY2023	NEW DRAWING	LP	MY

### OVERALL DIMENSIONS



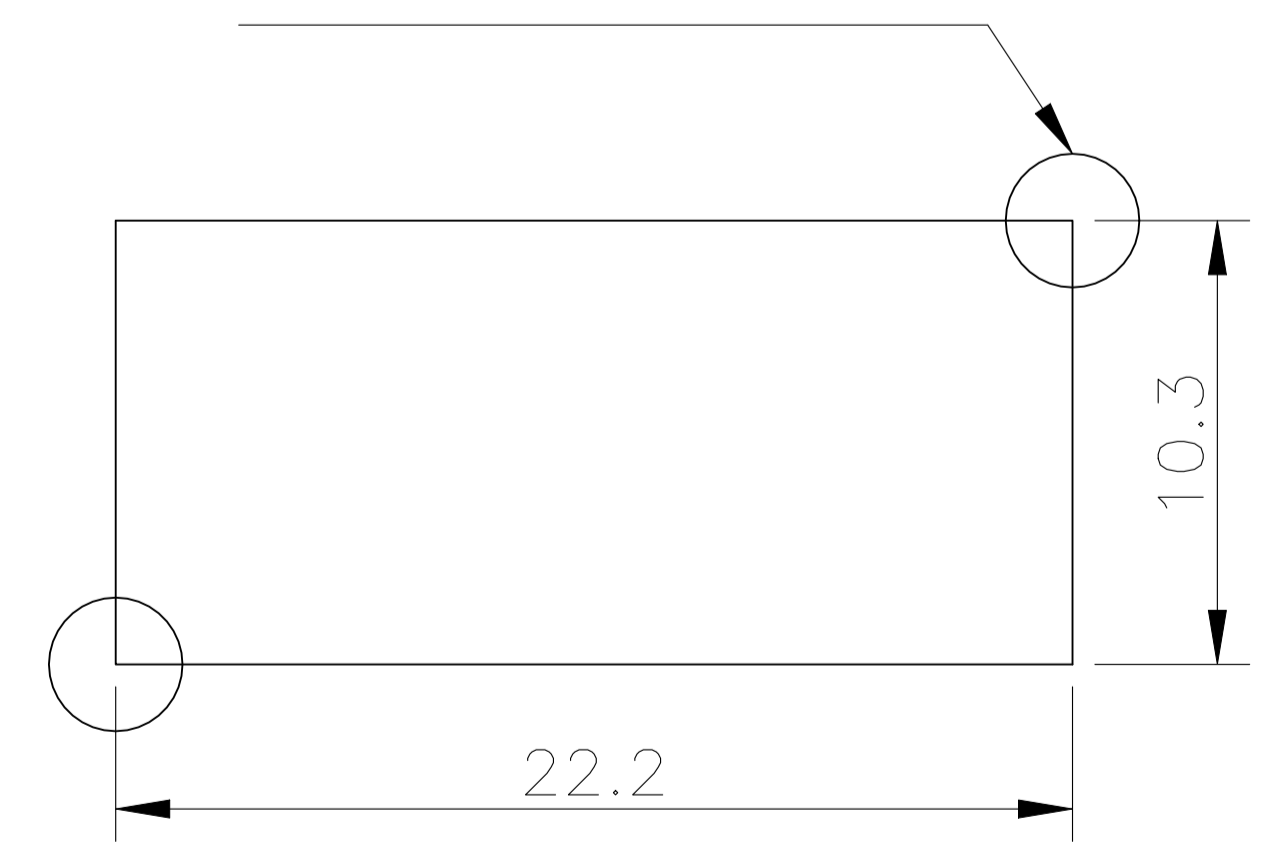
D TYPE  
187 SERIES, STRAIGHT (0.5T)

E TYPE  
250 SERIES, DOG-LEG (0.8T)



### MOUNTING HOLES

2-φ3.1 MOUNTING HOLES  
OR M3 SCREW HOLES



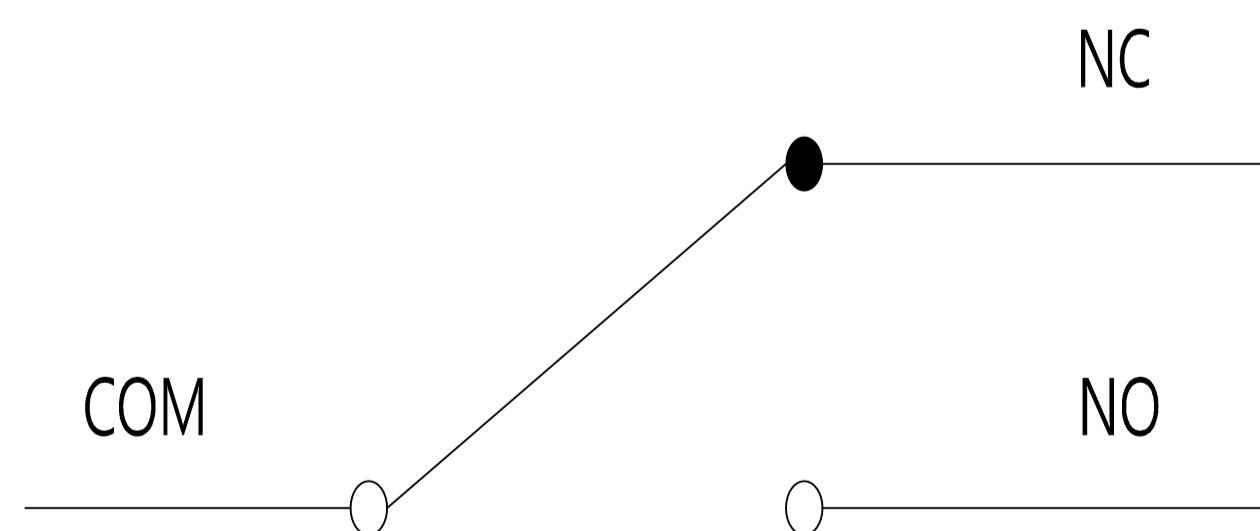
THIS DRAWING IS A CONTROLLED DOCUMENT.		DIN LINGANATHAN P. 03MAY2023	TE Connectivity	
DIMENSIONS: mm		CHK MANOJ YADAV 03MAY2023		
TOLERANCES UNLESS OTHERWISE SPECIFIED:		NAME MANOJ YADAV	10 A HIGH CURRENT SNAP ACTION SWITCH	
0. PLC ±		PRODUCT SPEC	-	
1. PLC ±		APPLICATION SPEC	-	
2. PLC ±		SIZE	A1	RESTRICTED TO
3. PLC ±		CAGE CODE	00779	
4. PLC ±		DRAWING NO	2439028	
ANGLES ±		WEIGHT		
FINISH		CUSTOMER DRAWING	SCALE 1:1	SHEET 1 OF 3

OPERATING CHARACTERISTICS

REVISIONS				
REV	DATE	DESCRIPTION	BY	APP'D
-	-	SEE SHEET 1	-	-

SWITCH TYPE	PART SUFFIX	OPERATING FORCE MAX. OF Max. (gf)		OPERATING POSITION OP (mm)	PRE-TRAVEL MAX. PT MAX. (mm)	OVER-TRAVEL MIN. OT MIN. (mm)	MOVEMENT DIFFERENTIAL MAX. MD MAX. (mm)
		L	S				
HCP10DTD0□04		150	200	14.7±0.5	1.9	1.0	0.4
HCP10DTD1□04		150	190	15.3±0.5	2.8	1.0	0.5
HCP10DTD2□04		90	110	15.3±1.1	5.9	1.2	1.0
HCP10DTD3□04		50	65	15.3±2.4	9.3	-	2.1
HCP10DTD4□04		90	120	18.7±1.3	5.5	1.9	1.1
HCP10DTD5□04		170	220	20.7±0.6	2.7	1.1	0.45

CONTACT CONFIGURATION



HCP10DTE5L04	HCP Series 10A, Light Force, 0.250 Terminal, Short Roller	2-2439028-4	24
HCP10DTD5L04	HCP Series 10A, Light Force, 0.187 Terminal, Short Roller	2-2439028-3	23
HCP10DTE5S04	HCP Series 10A, Standard Force, 0.250 Terminal, Short Roller	2-2439028-2	22
HCP10DTD5S04	HCP Series 10A, Standard Force, 0.187 Terminal, Short Roller	2-2439028-1	21
HCP10DTE4L04	HCP Series 10A, Light Force, 0.250 Terminal, Simulated Roller	2-2439028-0	20
HCP10DTD4L04	HCP Series 10A, Light Force, 0.187 Terminal, Simulated Roller	1-2439028-9	19
HCP10DTE4S04	HCP Series 10A, Standard Force, 0.250 Terminal, Simulated Roller	1-2439028-8	18
HCP10DTD4S04	HCP Series 10A, Standard Force, 0.187 Terminal, Simulated Roller	1-2439028-7	17
HCP10DTE3L04	HCP Series 10A, Light Force, 0.250 Terminal, Extended Lever	1-2439028-6	16
HCP10DTD3L04	HCP Series 10A, Light Force, 0.187 Terminal, Extended Lever	1-2439028-5	15
HCP10DTE3S04	HCP Series 10A, Standard Force, 0.250 Terminal, Extended Lever	1-2439028-4	14
HCP10DTD3S04	HCP Series 10A, Standard Force, 0.187 Terminal, Extended Lever	1-2439028-3	13
HCP10DTE2L04	HCP Series 10A, Light Force, 0.250 Terminal, Normal Lever	1-2439028-2	12
HCP10DTD2L04	HCP Series 10A, Light Force, 0.187 Terminal, Normal Lever	1-2439028-1	11
HCP10DTE2S04	HCP Series 10A, Standard Force, 0.250 Terminal, Normal Lever	1-2439028-0	10
HCP10DTD2S04	HCP Series 10A, Standard Force, 0.187 Terminal, Normal Lever	2439028-9	9
HCP10DTE1L04	HCP Series 10A, Light Force, 0.250 Terminal, Small Lever	2439028-8	8
HCP10DTD1L04	HCP Series 10A, Light Force, 0.187 Terminal, Small Lever	2439028-7	7
HCP10DTE1S04	HCP Series 10A, Standard Force, 0.250 Terminal, Small Lever	2439028-6	6
HCP10DTD1S04	HCP Series 10A, Standard Force, 0.187 Terminal, Small Lever	2439028-5	5
HCP10DTE0L04	HCP Series 10A, Light Force, 0.250 Terminal, No Lever	2439028-4	4
HCP10DTD0L04	HCP Series 10A, Light Force, 0.187 Terminal, No Lever	2439028-3	3
HCP10DTE0S04	HCP Series 10A, Standard Force, 0.250 Terminal, No Lever	2439028-2	2
HCP10DTD0S04	HCP Series 10A, Standard Force, 0.187 Terminal, No Lever	2439028-1	1
TE SMART NUMBER	DESCRIPTION	TE PN	SL No.

THIS DRAWING IS A CONTROLLED DOCUMENT.		DIN LINGANATHAN P. 03MAY2023		CIRK MANOJ YADAV 03MAY2023		APROD MANOJ YADAV 03MAY2023		NAME		10 A HIGH CURRENT SNAP ACTION SWITCH																			
DIMENSIONS: mm		TOLERANCES UNLESS OTHERWISE SPECIFIED:		SIZE		CAGE CODE		DRAWING NO		RESTRICTED TO																			
<table border="1"> <tr><td>0. PLC</td><td>±</td><td>-</td></tr> <tr><td>1. PLC</td><td>±</td><td>-</td></tr> <tr><td>2. PLC</td><td>±</td><td>-</td></tr> <tr><td>3. PLC</td><td>±</td><td>-</td></tr> <tr><td>4. PLC</td><td>±</td><td>-</td></tr> <tr><td>ANGLES</td><td>±</td><td>-</td></tr> </table>		0. PLC	±	-	1. PLC	±	-	2. PLC	±	-	3. PLC	±	-	4. PLC	±	-	ANGLES	±	-	FINISH		A1		00779		2439028		-	
0. PLC	±	-																											
1. PLC	±	-																											
2. PLC	±	-																											
3. PLC	±	-																											
4. PLC	±	-																											
ANGLES	±	-																											
MATERIAL		FINISH		WEIGHT		SCALE		SHEET		REV																			
-		-		-		1:1		2 of 3		1																			

REVISIONS				
REV	DATE	DESCRIPTION	BY	APP'D
-	-	SEE SHEET 1	-	-

**SPECIFICATIONS**

- CONTACT RESISTANCE(INITIAL)  
MAX. 300 MΩ  
MEASURED BY OHM METER – OPEN VOLTAGE < 1VDC, DRIVER CURRENT –100 mA
- INSULATION RESISTANCE (AT 500 VDC / MINUTE)  
MIN. 100 MΩ
- DIELECTRIC STRENGTH  
MIN. 500VAC(50–60Hz)/MINUTE BETWEEN LIVE PARTS.  
MIN. 1500VAC(50–60Hz)/MINUTE BETWEEN LIVE PARTS AND DEAD METAL PARTS
- OPERATING TEMPERATURE RANGE  
–40°C TO 125°C ( WITH NO ICING )
- VIBRATION  
10~55Hz, DISPLACEMENT 0.75 MM (P–P)
- ELECTRICAL SERVICE LIFE  
0.1A – MIN. 1,000,000 OPERATIONS  
OTHERS RATING – MIN. 10,000 OPERATIONS
- ELECTRICAL OPERATING FREQUENCY  
10~30 OPERATIONS PER MINUTE
- MECHANICAL SERVICE LIFE  
MIN. 10,000,000 OPERATIONS
- MECHANICAL OPERATING FREQUENCY  
120 OPERATIONS PER MINUTE
- OPERATING APPLICATION OF THE SWITCH  
SET THE SWITCH PUSHING DISTANCE FROM 60% TO 90% OF THE SPECIFIED OT VALUE

**CAUTIONS:**

- TO SECURE THE SWITCH, PLEASE USE AN M3 SMALL SCREW ON A FLAT SURFACE AND TIGHTEN WITH PLANE WASHERS OR SPRING WASHERS TO SECURELY MOUNT THE SWITCH, USING A MAXIMUM TORQUE OF 0.59 N•M.
- TO ENSURE THE BEST PERFORMANCE OF THE SWITCH, WHEN HANDLING/INSTALLING THE SWITCH, PLEASE DO NOT APPLY UNEVEN PRESSURE TO THE DIRECTION INDICATED BY THE ARROW IN (FIGURE –1). ANY UNEVEN PRESSURE OR PRESSURE DIRECTION OTHER THAN THE OPERATING DIRECTION MIGHT BE HARMFUL OR DAMAGE THE SWITCH PERFORMANCE.

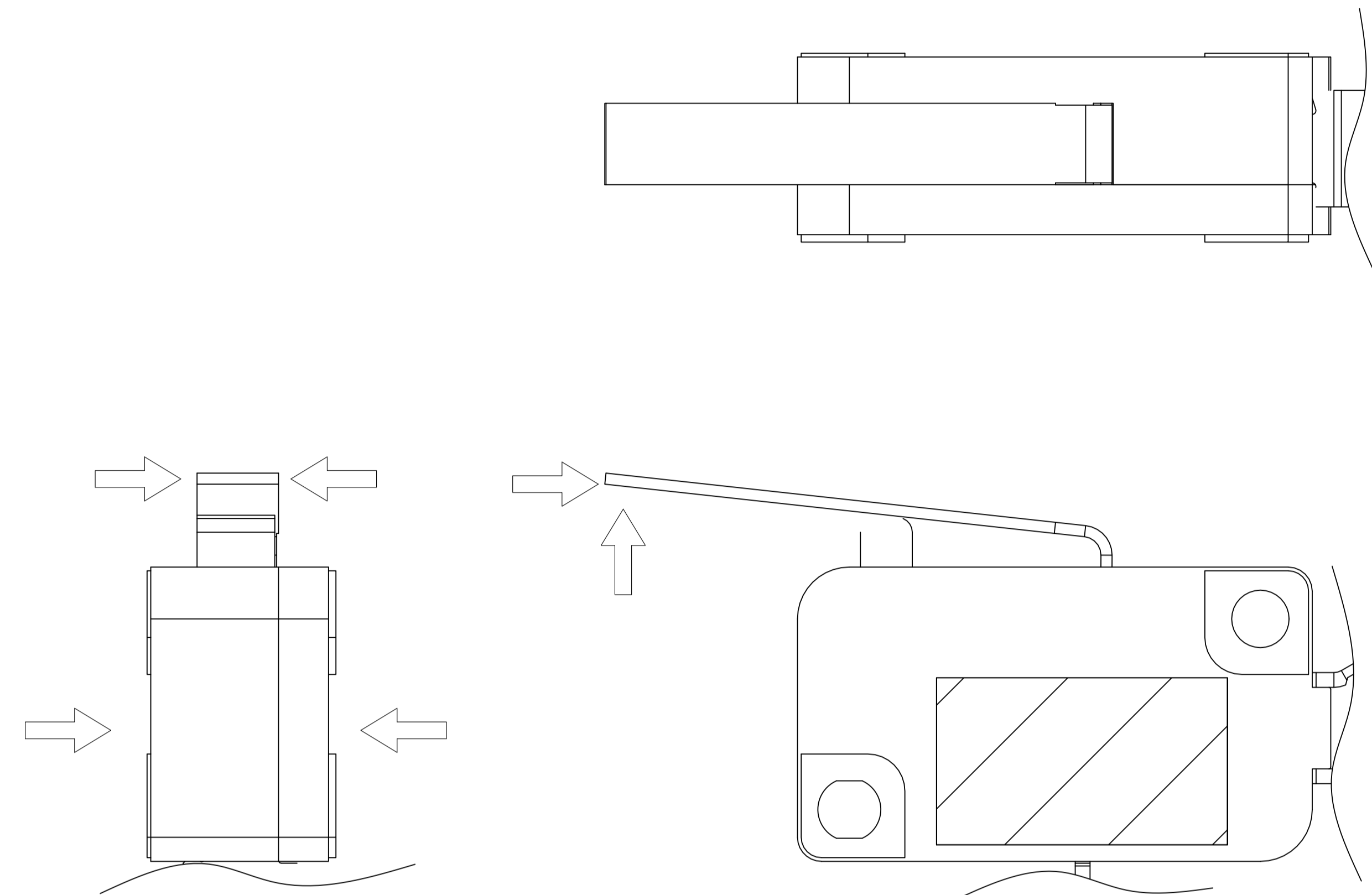
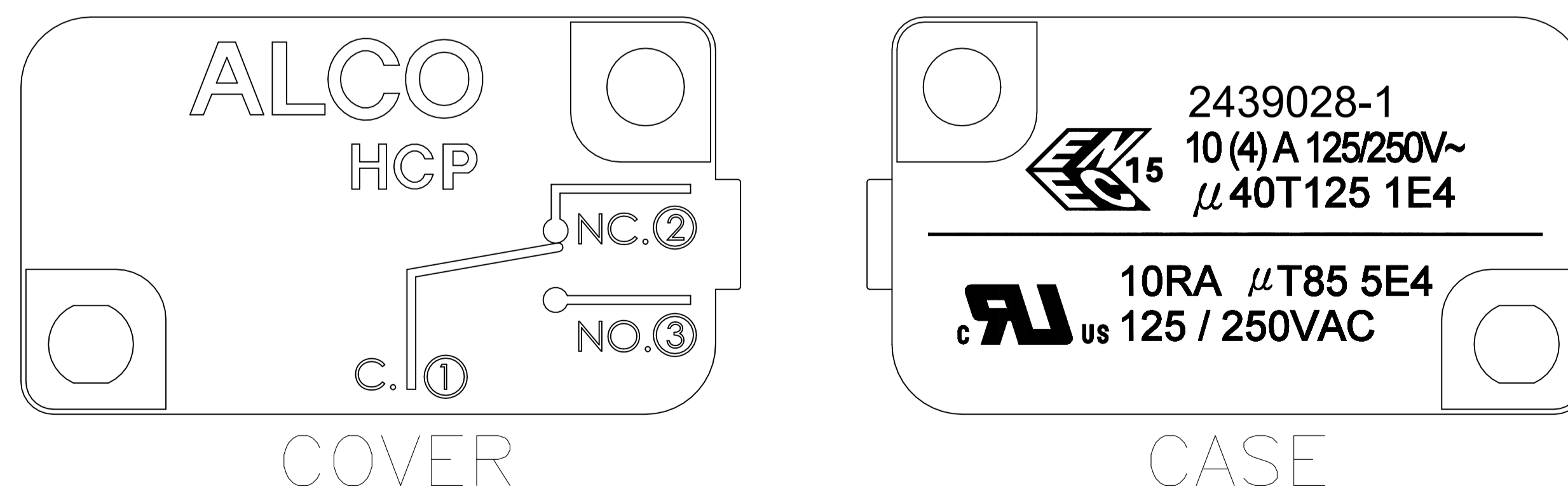


FIGURE – 1

**MARKING DRAWING**



THIS DRAWING IS A CONTROLLED DOCUMENT.		DIN LINGANATHAN P. 03MAY2023		TE Connectivity	
DIMENSIONS: mm		CHK MANOJ YADAV 03MAY2023		NAME 10 A HIGH CURRENT SNAP ACTION SWITCH	
TOLERANCES UNLESS OTHERWISE SPECIFIED:		APP'D MANOJ YADAV 03MAY2023		RESTRICTED TO	
0. PLC ± -		PRODUCT SPEC		SIZE A1	
1. PLC ± -		APPLICATION SPEC		CAGE CODE 00779	
2. PLC ± -		WEIGHT		DRAWING NO. 2439028	
3. PLC ± -		MATERIAL		SCALE 1:1	
4. PLC ± -		FINISH		SHEET 3 of 3	
ANGLES ± -		CUSTOMER DRAWING		REV 1	