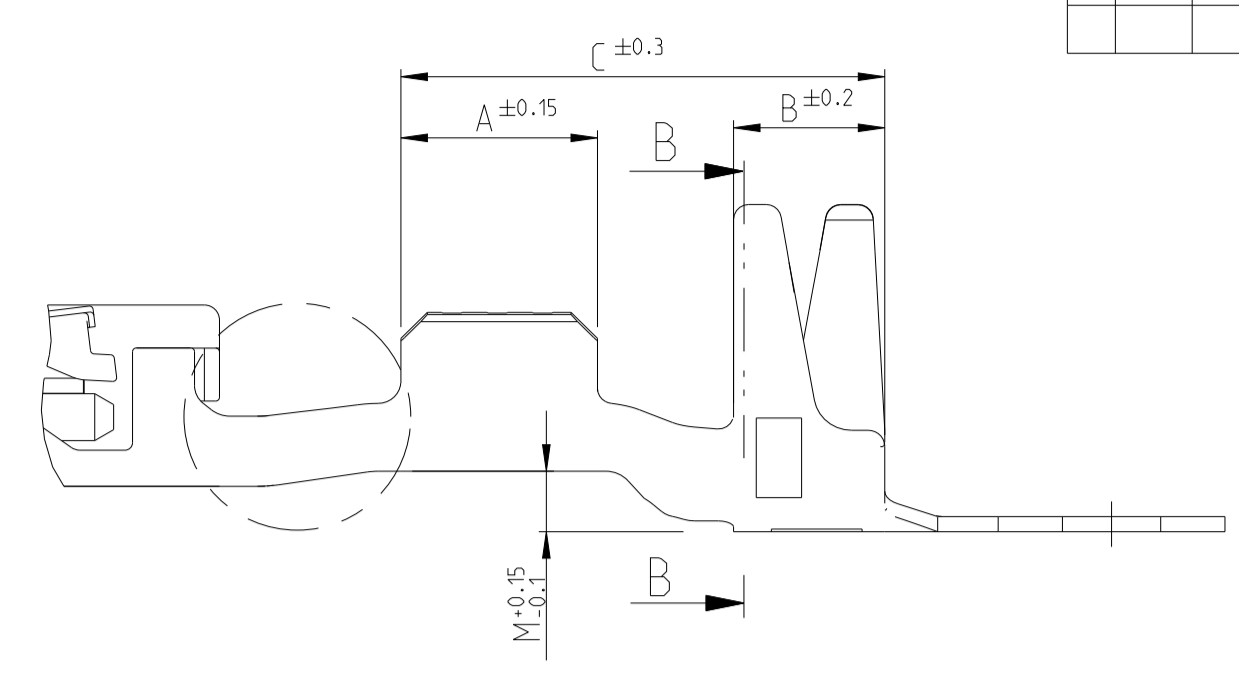
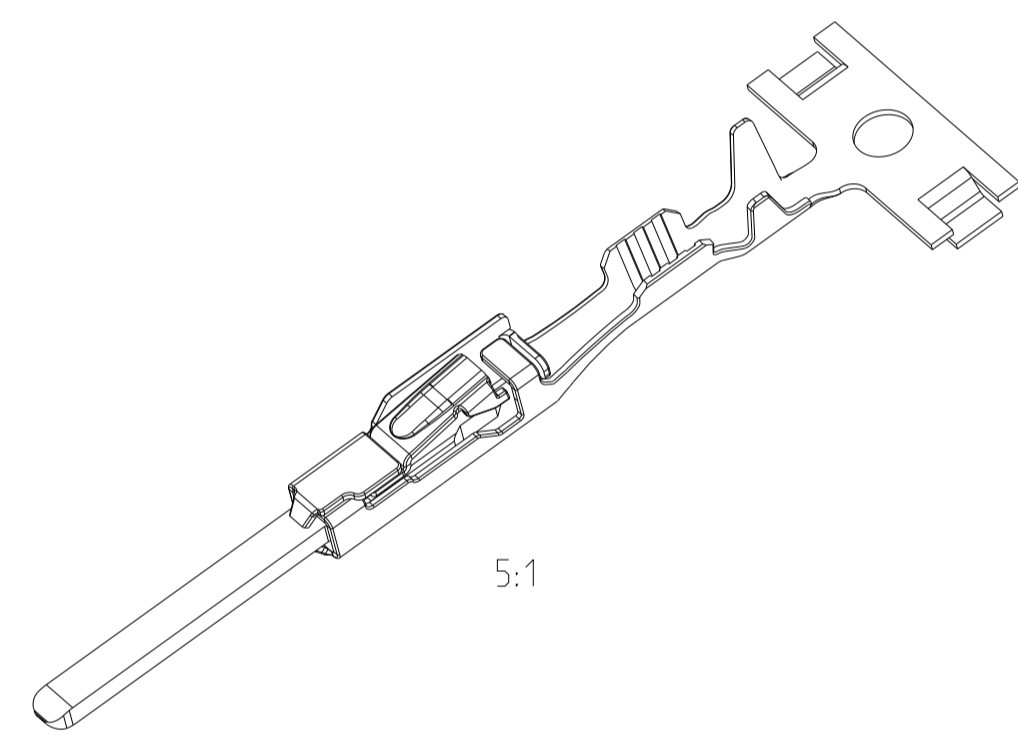
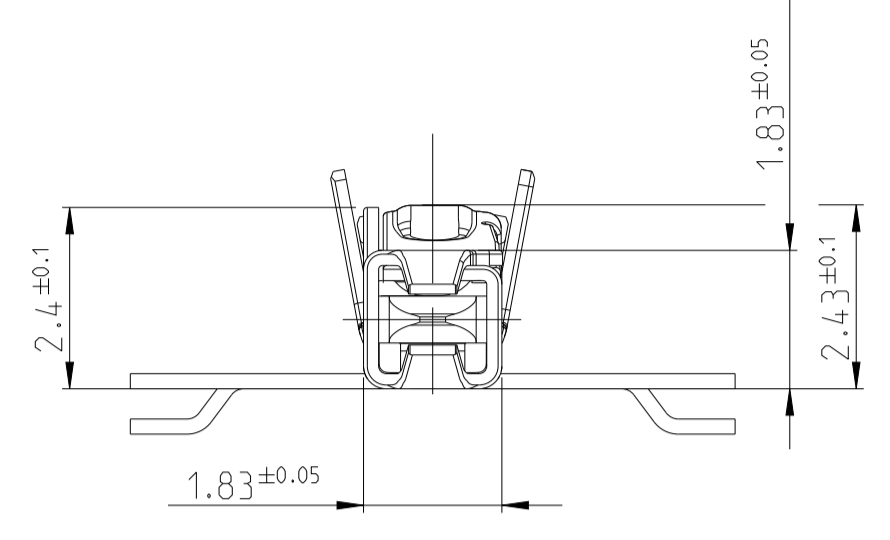
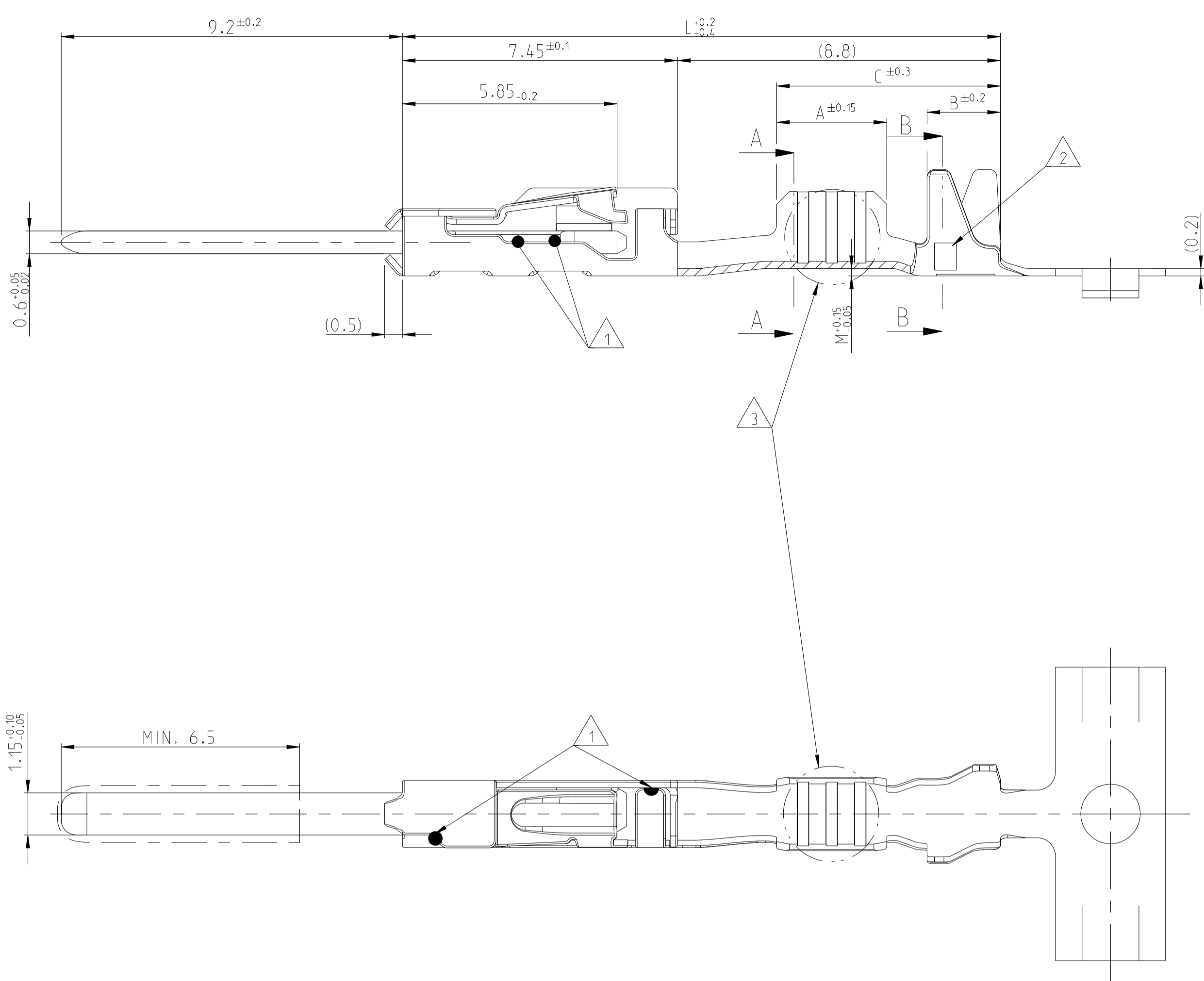
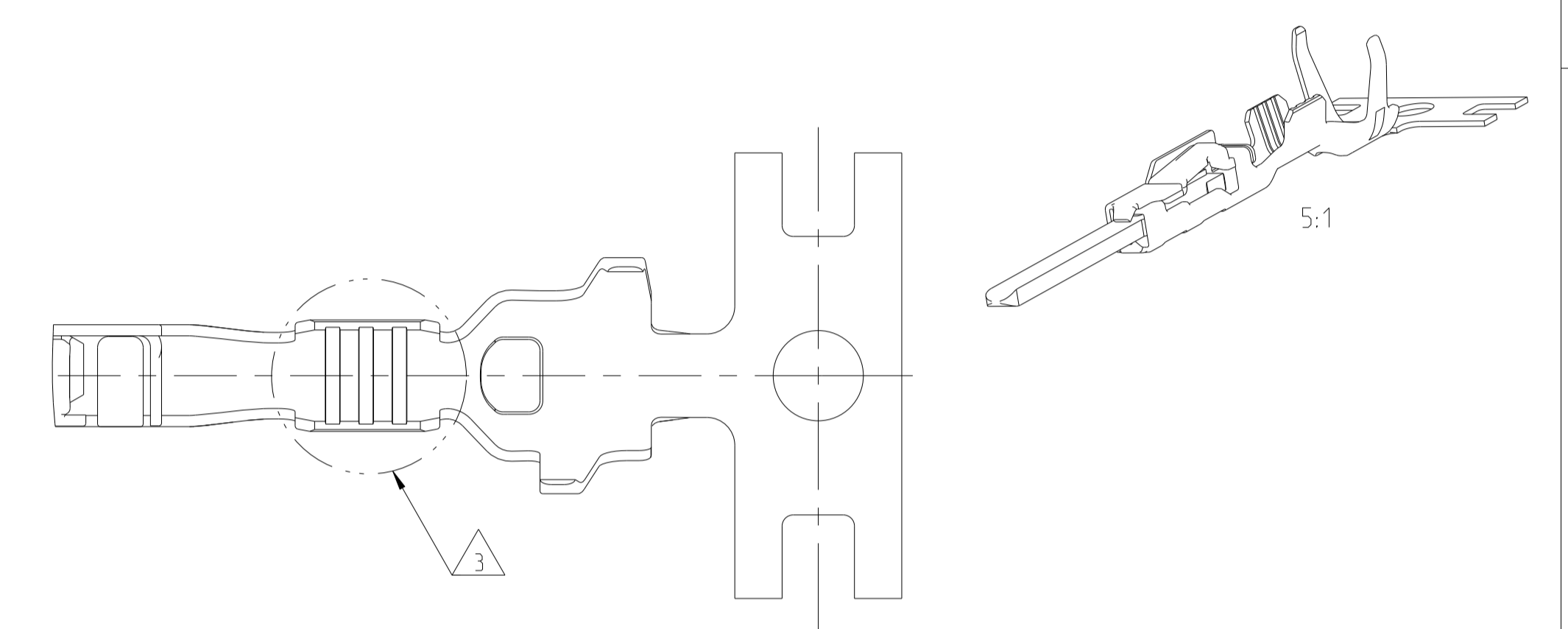


| REVISIONS | | | | |
|-----------|-----|-----------------|-----------|----------|
| P | LTN | DESCRIPTION | DATE | DMN APVD |
| A | | INITIAL RELEASE | 11NOV2022 | C.X W.Z |
| | | | | |
| | | | | |



SINGLE WIRE SEALING SYSTEM



| WIRE - CRIMP | | STANDARD INSULATION CRIMP | SINGLE WIRE CRIMP |
|---------------------|------------|---------------------------|-------------------|
| DESIGN 1 | DESIGN 2-4 | | |
| A-A | A-A | B-B | B-B |
| | | | |
| DESIGN WIRE - CRIMP | | | |
| DESIGN 1 | DESIGN 2 | DESIGN 3 | |
| | | | |

- ① LASER WELDED
- ② REVISION STATUS
- ③ DIFFERENT FORM OF THE SERRATIONS AND WIRE-CRIMP POSSIBLE

| INSULATION CRIMP FOR | P/N | REV | WIRE RANGE (mm ²) | INSULATION-Ø (mm) | MATERIAL | | SURFACE | | DESIGN WIRE-CRIMP | LENGTH | WIRE CRIMP | INSULATION CRIMP | DIMENSION "L" (mm) |
|---|-------------|-----|-------------------------------|-------------------|----------|--------------|------------|------------|-------------------|-------------------------------|---|---|--------------------|
| | | | | | BODY | TAB | BODY | SPRING | | | | | |
| FLR CABLE SEE APPLICATION SPECIFICATION | 2439221-1 | A | 1.0 - 1.5 | 1.9 - 2.4 | CuNiSi | CuSn0.15/0.2 | TIN PLATED | TIN PLATED | 3 | A = 3.0 B = 2.0 C = 6.1 | E = 2.6 G = 2.9 D ₁₀₀ = 1.35 | H = 3.7 K = 3.9 D ₁₀₀ = 2.1 M = 0.2 | 16.3 |
| | 5-2435203-1 | A | 0.5 - 0.75 | 1.4 - 1.9 | CuNiSi | CuSn0.15/0.2 | TIN PLATED | TIN PLATED | 2 | A = 3.0 B = 2.0 C = 6.1 | E = 2.0 G = 2.1 D _{0r} = 1.1 | H = 2.7 K = 2.9 D ₁₀₀ = 1.6 M = 0.2 | 16.3 |
| | 5-2435206-1 | A | 0.25 - 0.35 | 1.1 - 1.75 | CuNiSi | CuSn0.15/0.2 | TIN PLATED | TIN PLATED | 2 | A = 2.6 B = 2.0 C = 5.7 | E = 1.8 G = 1.8 D _{0r} = 0.8 | H = 2.6 K = 2.6 D ₁₀₀ = 1.4 M = 0.2 | 16.3 |

| | | | |
|---|--|-------------------------|--|
| PRODUCT CHARACTERISTICS ACC. QMP 1.12 BESONDERE MERKMALE NACH QMP 1.12 | TOLERANCING ISO 8015 TOLERIERUNG ISO 8015 | DMN: C.XIE 11NOV2022 | TE Connectivity TAB CONTACT 1.2 MM GROUP DRAWING |
| THIS DRAWING IS A CONTROLLED DOCUMENT. | CHK: J.GU 11NOV2022 | APVD: W.ZHANG 11NOV2022 | |
| DIMENSIONS: mm | TOLERANCES UNLESS OTHERWISE SPECIFIED: | PRODUCT SPEC | SIZE: A1 |
| | PLC ±0.2mm 2 PLC ±0.2mm 3 PLC ±0.2mm 4 PLC ±0.2mm ANGLES ±1° | APPLICATION SPEC | CAGE CODE: 00779 |
| MATERIAL: SEE TABLE siehe Tabelle | FINISH: SEE TABLE siehe Tabelle | WEIGHT: 114-184.64 | DRAWING NO: 2439221 |
| | | Customer Drawing | SCALE: 10:1 SHEET: 1 OF 1 REV: A |