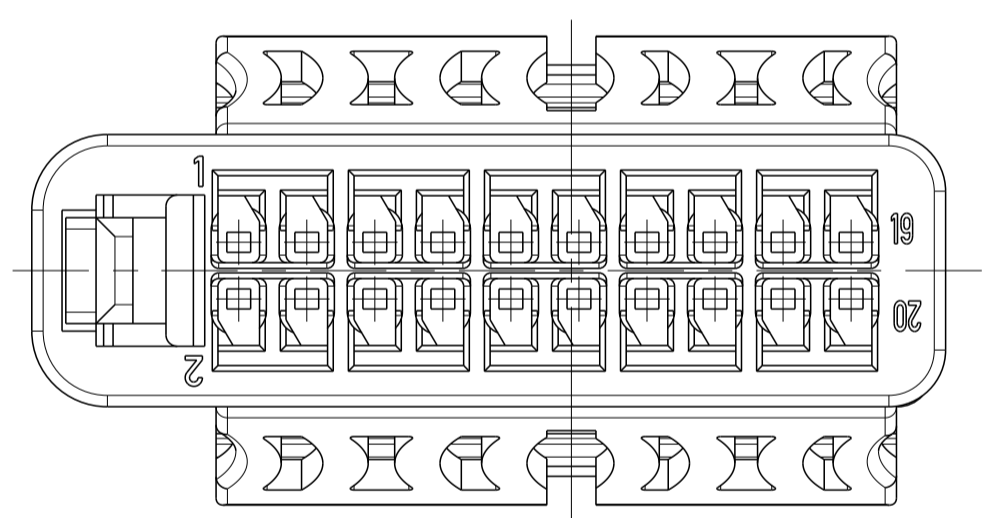
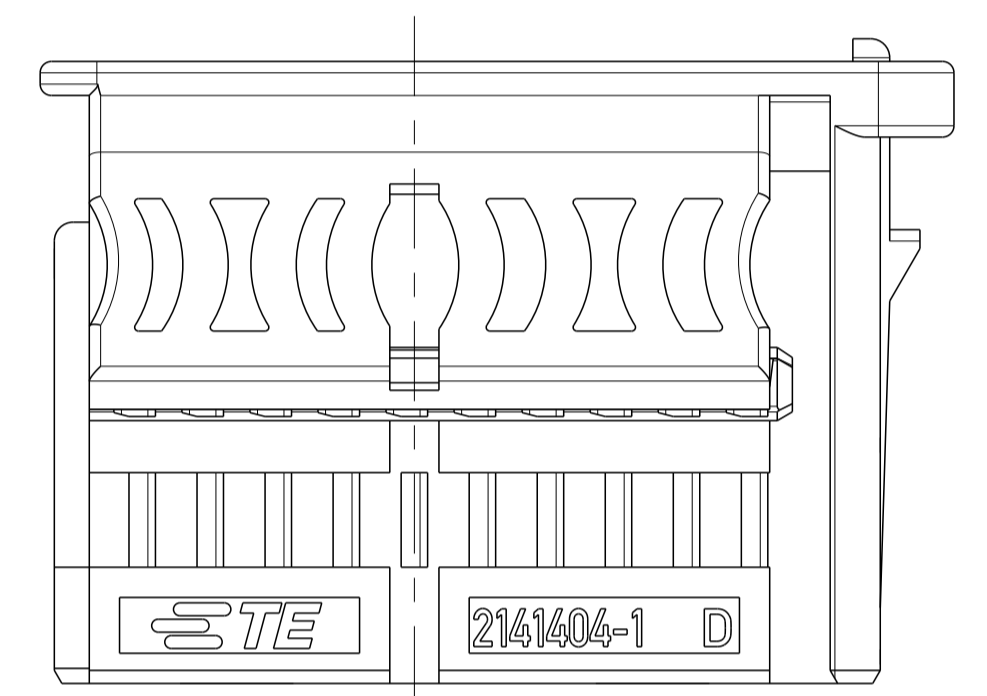
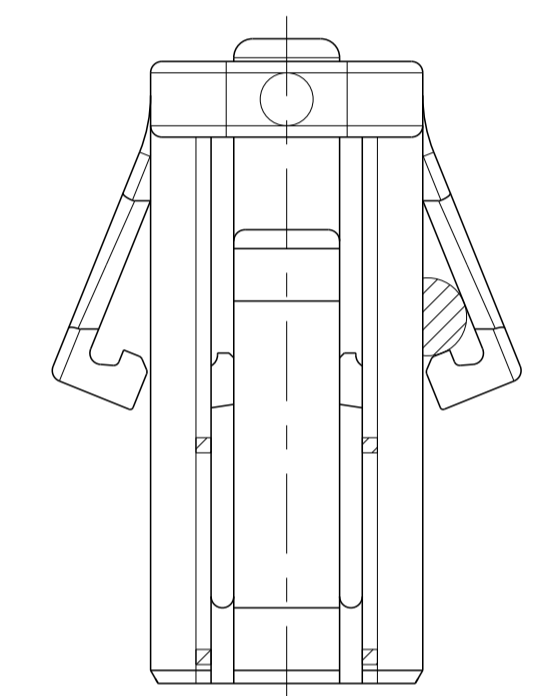
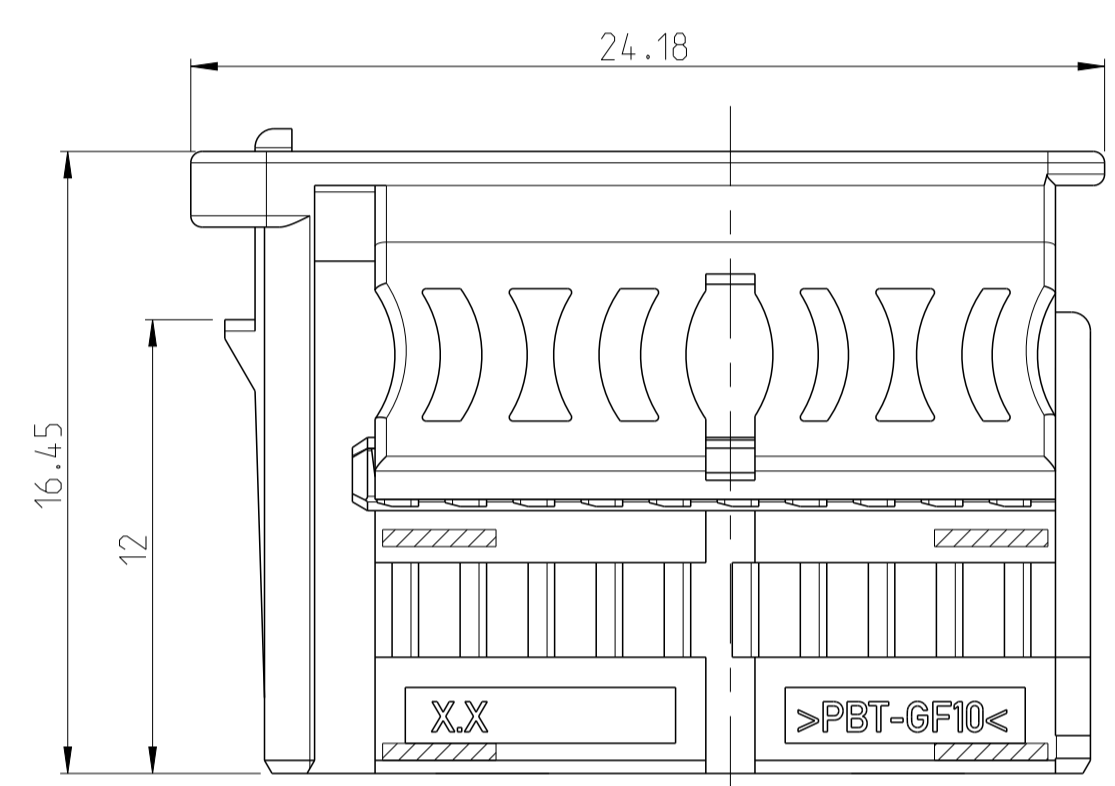
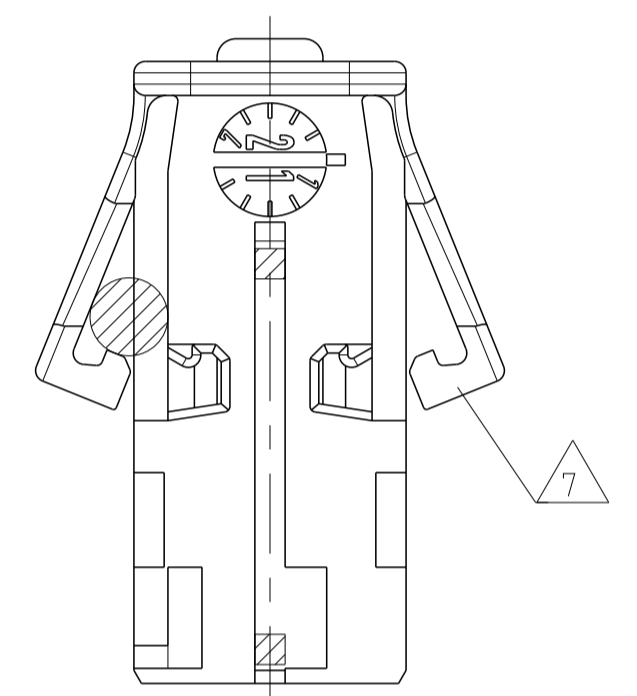
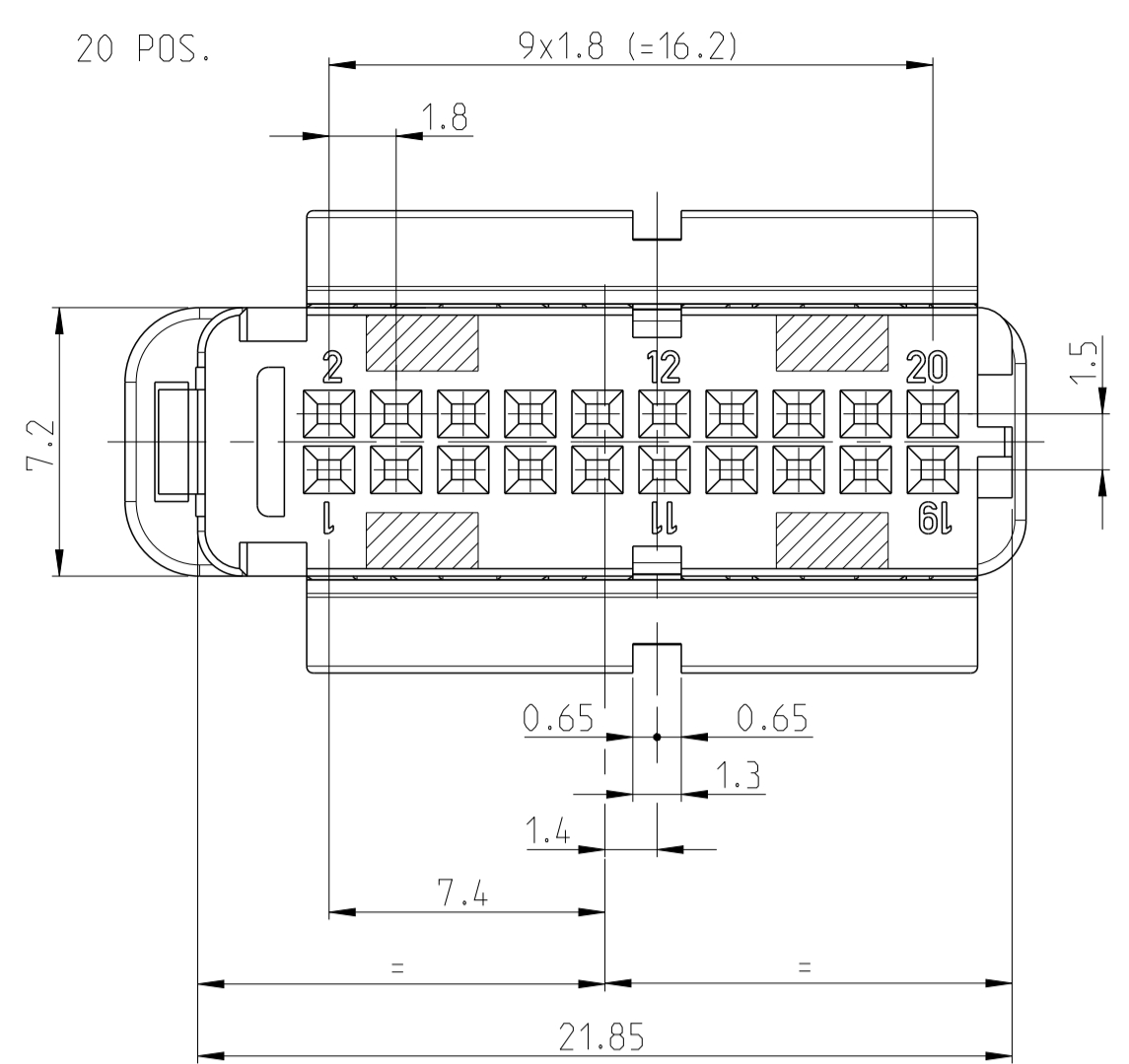
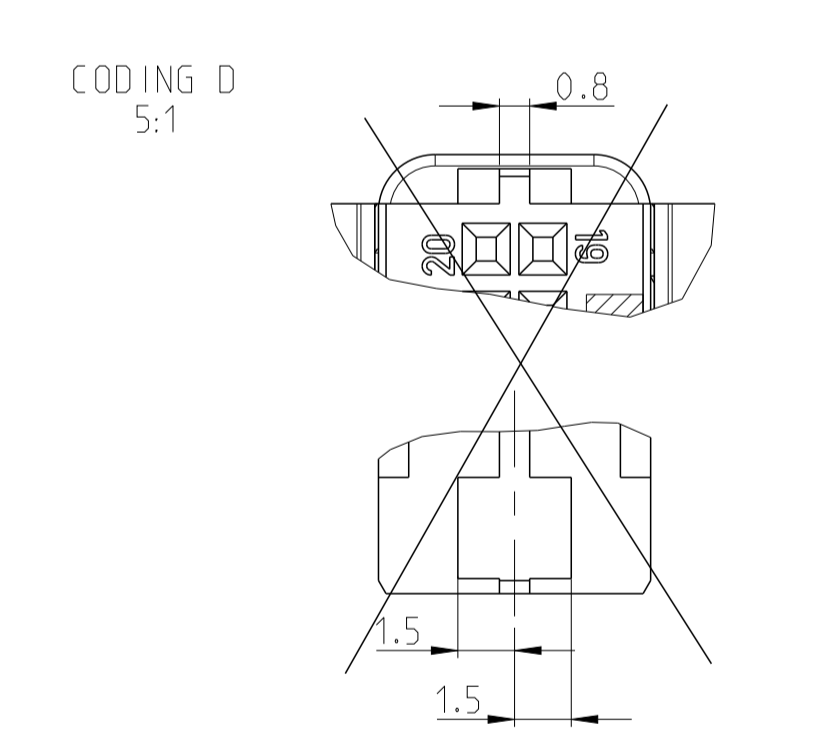
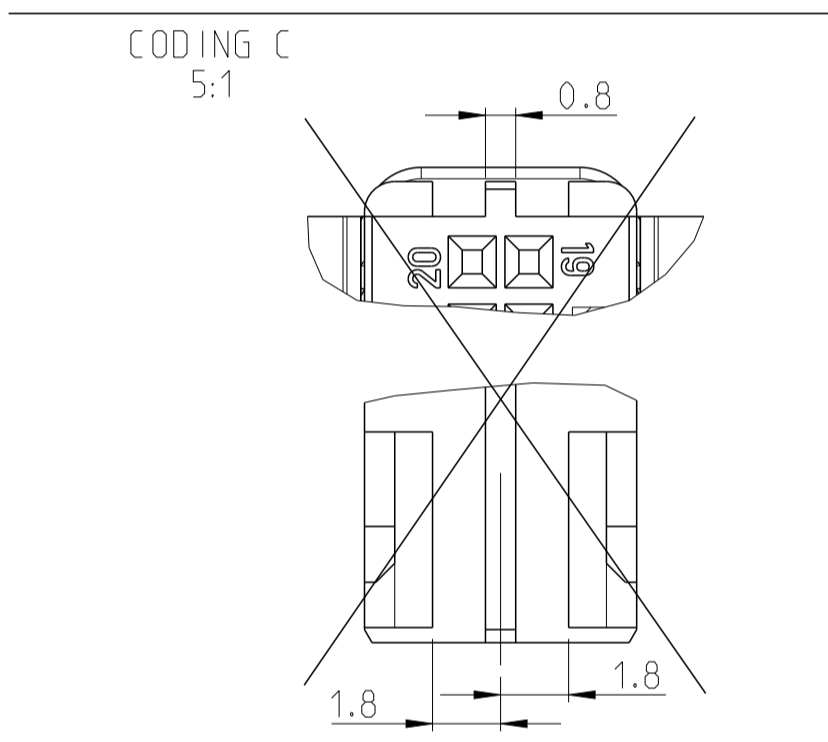
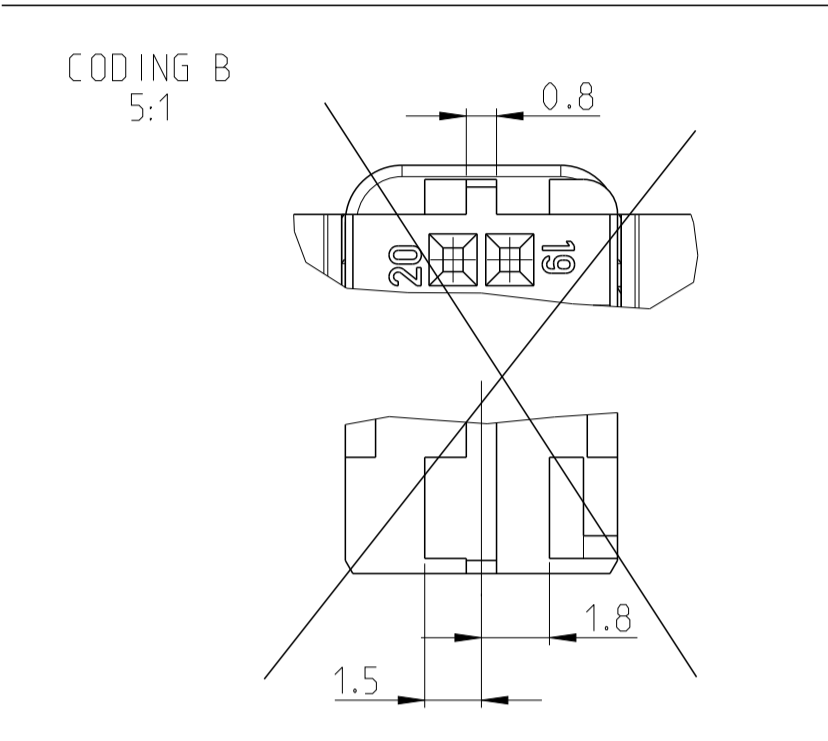
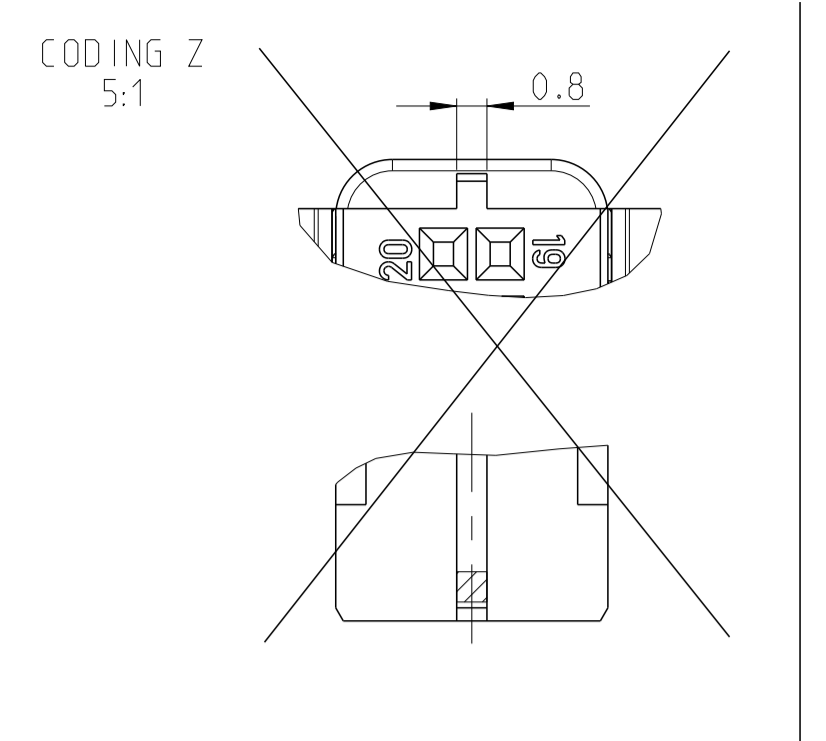
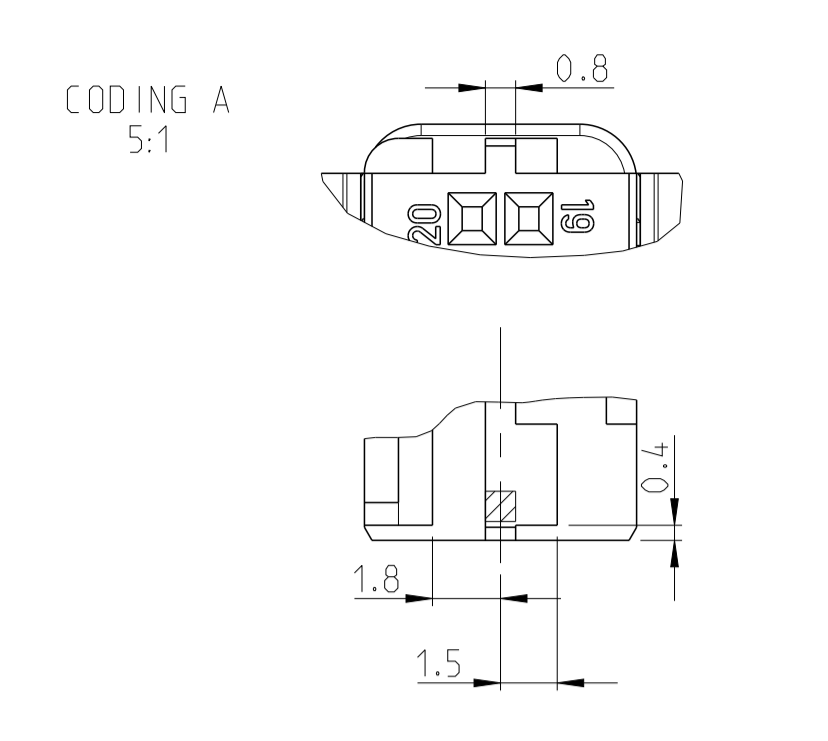


REVISIONS				
P.	LTN	DESCRIPTION	DATE	APVD
A		NEW RELEASE	20NOV2022	R.L. J.Z
A1		ADD NOTE 8	9JAN2023	R.L. J.Z
A2		ECN-24-274868	11JUL2024	SDT J.Z

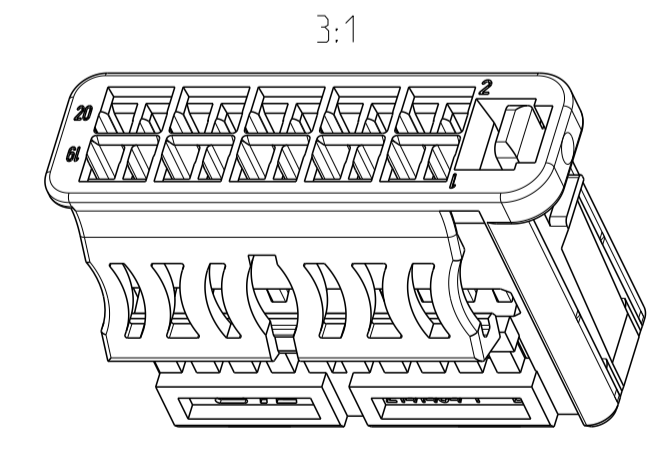
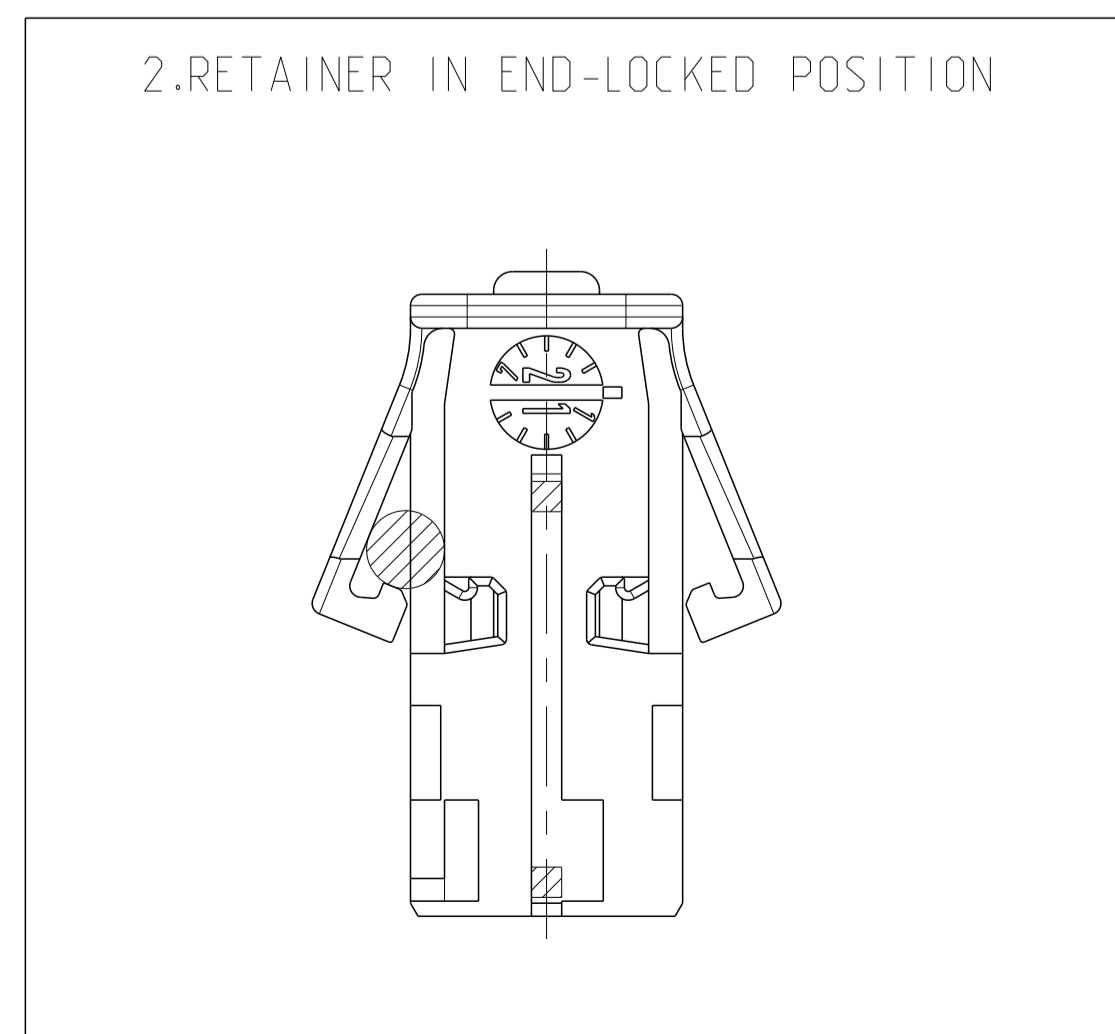


NOTES A2

- SUITABLE FOR CONTACT SEE DRAWING
  - PERTAINING INTERFACE (SHROUD) SEE DRAWING: TE: 114-94000-11
  - THE MANUFACTURER CAN CHANGE DETAILS OF THE DESIGN
  - PART LINE PERMITTED MAX. 0.3
  - SPLIT LINE PERMITTED MAX. 0.3
  - PACKAGING: LOOSE PIECE
- 7 CONDITION ON DELIVERY: SECONDARY LOCKING DEVICE IN PRELOCKING POSITION - IF IN ENDLOCKING POSITION AFTER TRANSPORTATION, PLEASE RELOCK IN ACCORDANCE TO APPLICATION SPEC.

CAVITIES	ALL CAVITIES
SOCKET CONTACT	Nano MQS
max.DGB (mm <sup>2</sup> )	0.35mm <sup>2</sup> FLR
Zeichnung TE	1703930

POS.	TE ORDER NO.	REV.	COD.	COLOR	WEIGHT	SUITABLE TO PINHEADER
20	0-2438782-9	A	Z	WATERBLUE	1.9	
	0-2438782-4	A	D	CLARET VIOLET		
	0-2438782-3	A	C	BLUE		
	0-2438782-2	A	B	NATURAL		
	0-2438782-1	A	A	BLACK		
14	0-2208340-9	A	Z	WATERBLUE	1.3	
	0-2208340-4	A	D	CLARET VIOLET		
	0-2208340-3	A	C	BLUE		
	0-2208340-2	A	B	NATURAL		
	0-2208340-1	A	A	BLACK		
10	0-2208339-9	A	Z	WATERBLUE	1.1	
	0-2208339-4	A	D	CLARET VIOLET		
	0-2208339-3	A	C	BLUE		
	0-2208339-2	A	B	NATURAL		
	0-2208339-1	A	A	BLACK		
6	0-2208338-9	A	Z	WATERBLUE	0.9	
	0-2208338-4	A	D	CLARET VIOLET		
	0-2208338-3	A	C	BLUE		
	0-2208338-2	A	B	NATURAL		
	0-2208338-1	A	A	BLACK		



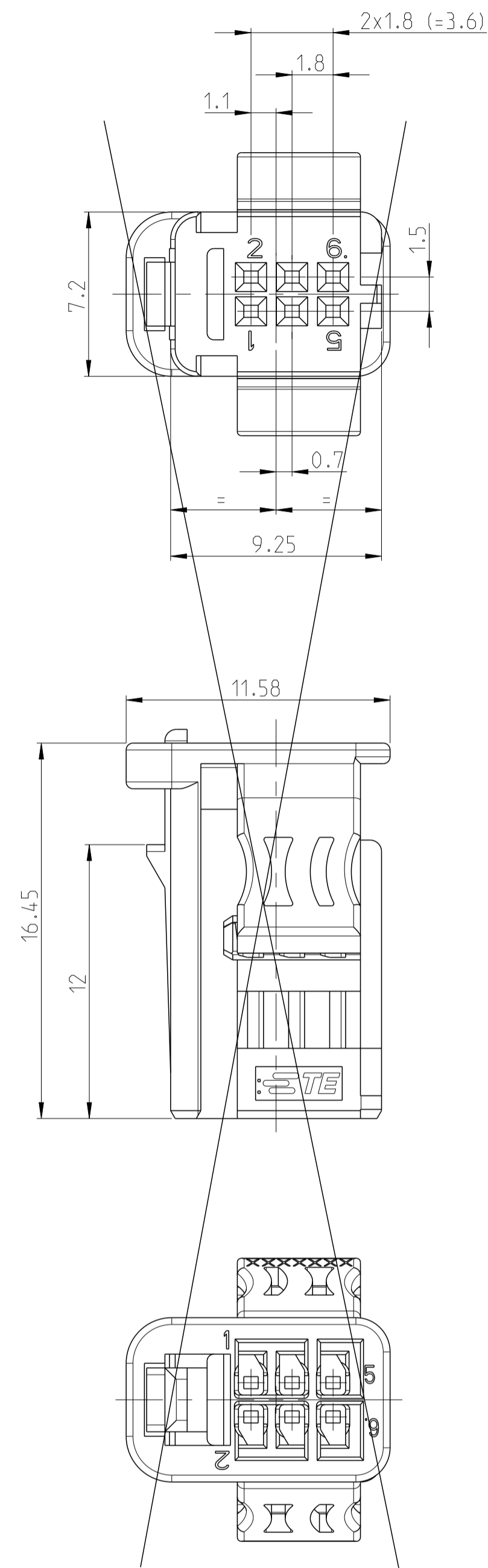
THIS DRAWING IS A CONTROLLED DOCUMENT. DIMENSIONING AND TOLERANCING PER GPS (ISO STANDARDS)

TE Connectivity

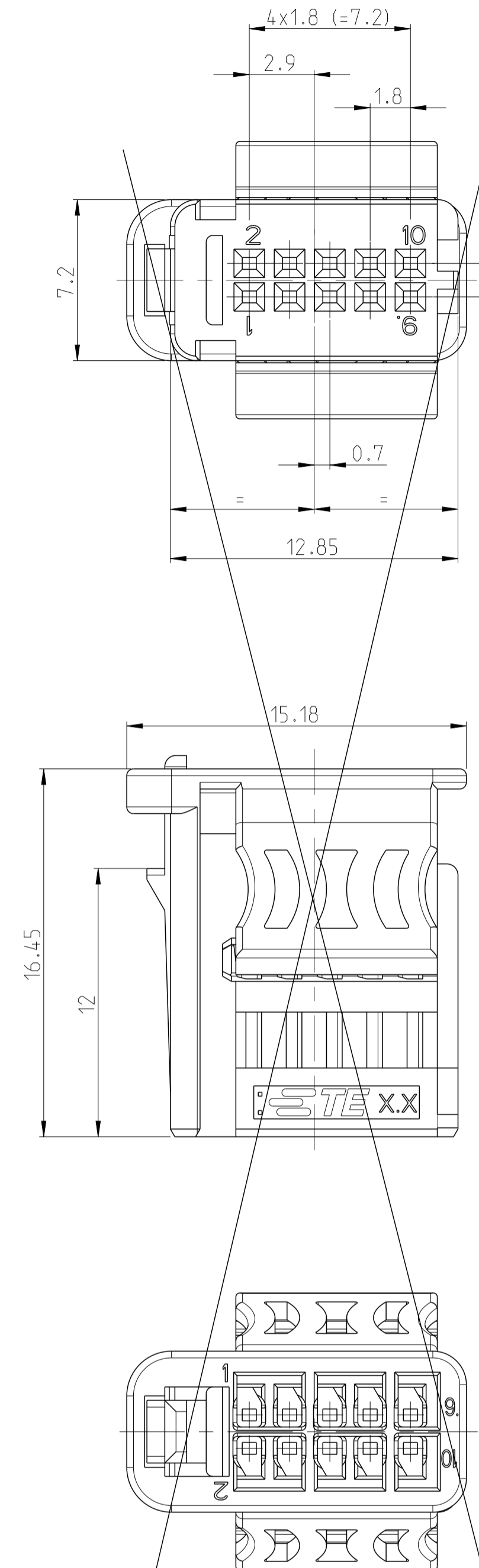
6-20 POS., NanoMQS, REC. HOUSING

SCALE 5:1 SHEET 1 OF 2 REV A2

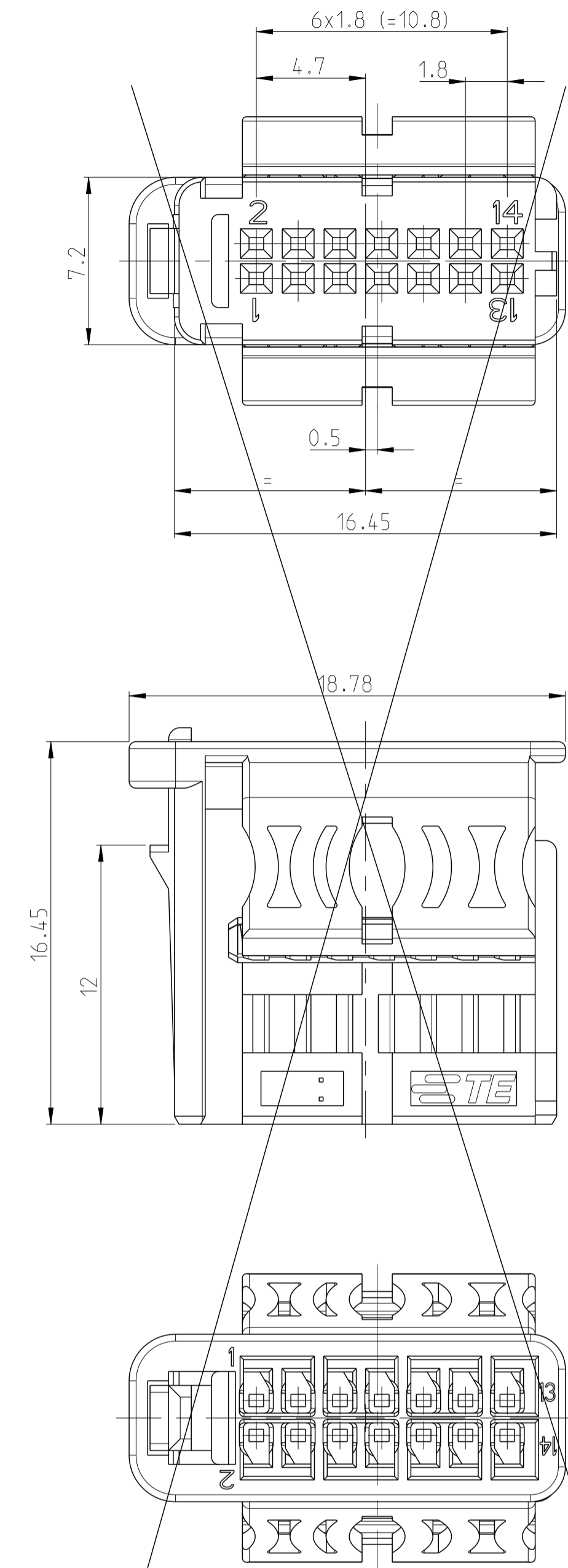
6 polig/POS.



10 POS.



14 POS.



REVISIONS				
P.	LTN	DESCRIPTION	DATE	APVD
A		SEE SHEET 1	20NOV2022	R.L. J.Z
A1		SEE SHEET 1	9JAN2023	R.L. J.Z

THIS DRAWING IS A CONTROLLED DOCUMENT. DIMENSIONING AND TOLERANCING PER GPS (ISO STANDARDS)		DWN: R.L. J.Z CHK: T.DONG APVD: J.ZONG DATE: 20NOV2022	TE Connectivity NAME: 6-20 POS., NanoMQS, REC. HOUSING
DIMENSIONS: mm TOLERANCES UNLESS OTHERWISE SPECIFIED: 0 PLC ±0.15 1 PLC ±0.15 2 PLC ±0.15 3 PLC ±0.15 4 PLC ±0.15 5 PLC ±0.15 6-14 PLC ±0.15 ANGLES FINISH: 40°	PRODUCT SPEC: 108-94288-0 APPLICATION SPEC: 116-94033 WEIGHT: SEE SHEET 1 MATERIAL: SEE SHEET 1	SIZE: 116-94033 CAGE CODE: 00779 DRAWING NO: C=2441155 RESTRICTED TO: -	
CUSTOMER DRAWING		SCALE: 5:1	SHEET 2 OF 2 REV: A2