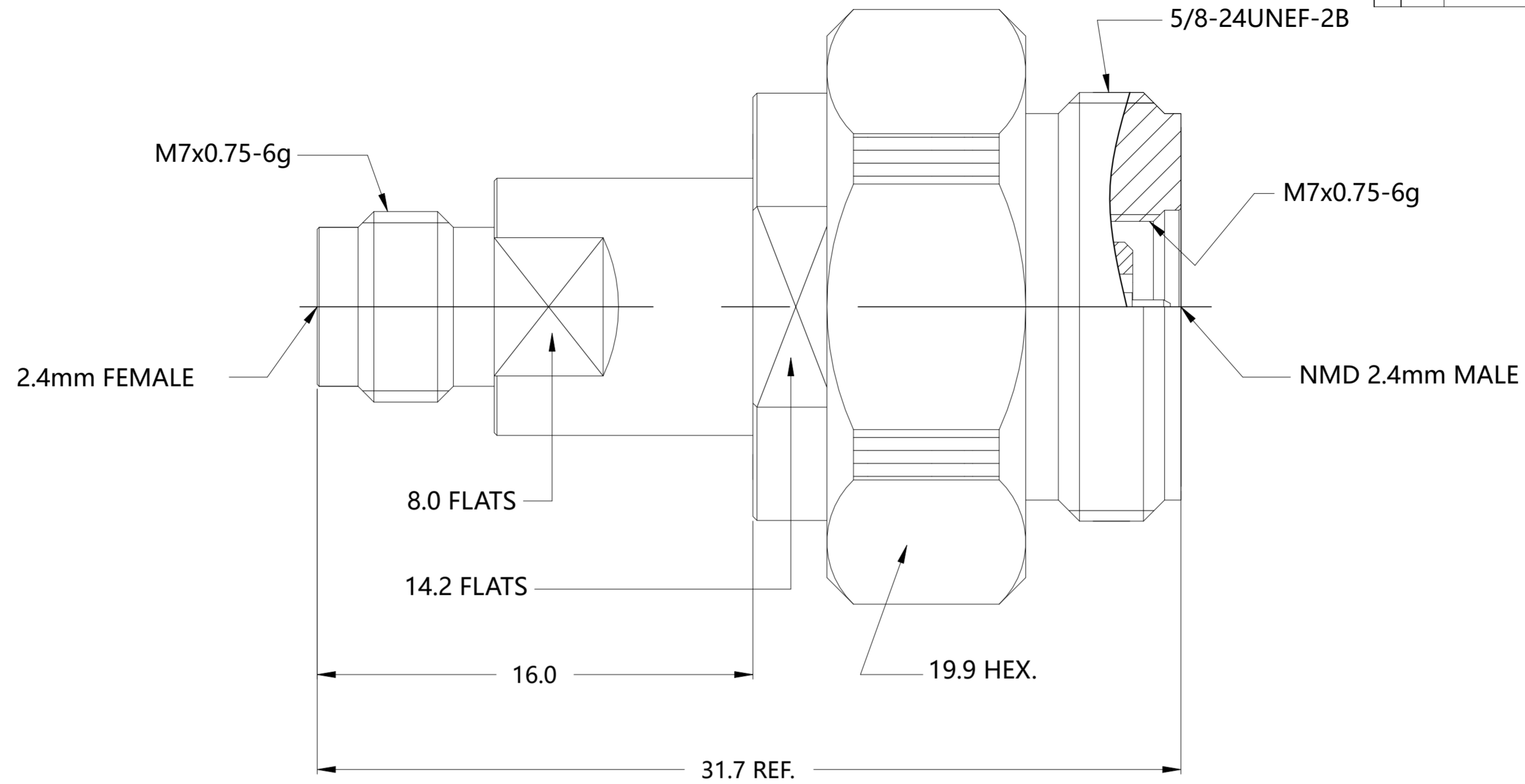


REVISIONS					
P	LTR	DESCRIPTION	DATE	DWN	APVD
A		ECN-23-235375;GTP	17OCT2023	TP	WH



ELECTRICAL	MECHANICAL	ENVIRONMENTAL
Impedance (Ohm): <u>50</u> Frequency Range: <u>DC to 50GHz</u> Voltage Rating (Peak) @ Sea Level <u>175 V RMS</u> Insulation Resistance (MIN.) <u>5000 M ohms</u> Contact Resistance (mohms MAX) Center Contact <u>2.2</u> Outer Contact <u>0.15</u> Dielectric Withstand Voltage: <u>500 V RMS Max</u> Insertion Loss : $<0.05\sqrt{F(\text{GHz})}$ dB VSWR: <u><1.25 @ DC ~ 50GHz</u>	Interface Dimension <u>2.4mm female to 2.4mm male</u> Force to Engage and Disengage Engage: <u>N/A</u> Disengage: <u>N/A</u> Center Contact Captivation Axial (lbs) <u>6 MIN</u> Radial (In/Oz) <u>N/A</u> Recommend Coupling Torque <u>9~14 in-lbs</u> Coupling Nut Retention Force <u>>100 lbs</u> Cable Retention Axial (Lbs) <u>N/A</u> Mating cycles <u>500 cycles</u>	TEMPERATURE RANGE <u>-40 °C~+85 °C</u> ROHS <u>COMPLIANT</u>

1	CONTACT PIN	BERYLLIUM COPPER	PL.GOLD/COPPER
1	INSULATOR	PEI	N/A
1	BODY	STAINLESS STEEL	PASSIVATION
2441448-1	PART NUMBER	MATERIAL	PLATING

THIS DRAWING IS A CONTROLLED DOCUMENT.		DWN	ED	19JUN2023			
DIMENSIONS: mm		CHK	ED	19JUN2023			
TOLERANCES UNLESS OTHERWISE SPECIFIED:		APVD	WH	19JUN2023			
0 PLC ± - 1 PLC ± 0.3 2 PLC ± 0.2 3 PLC ± 0.1 4 PLC ± - ANGLES ± 5°		PRODUCT SPEC	NAME				
MATERIAL	FINISH	WEIGHT	0	A2	00779	C=2441448	RESTRICTED TO
CUSTOMER DRAWING			SCALE	1:1	SHEET	1 of 1	REV