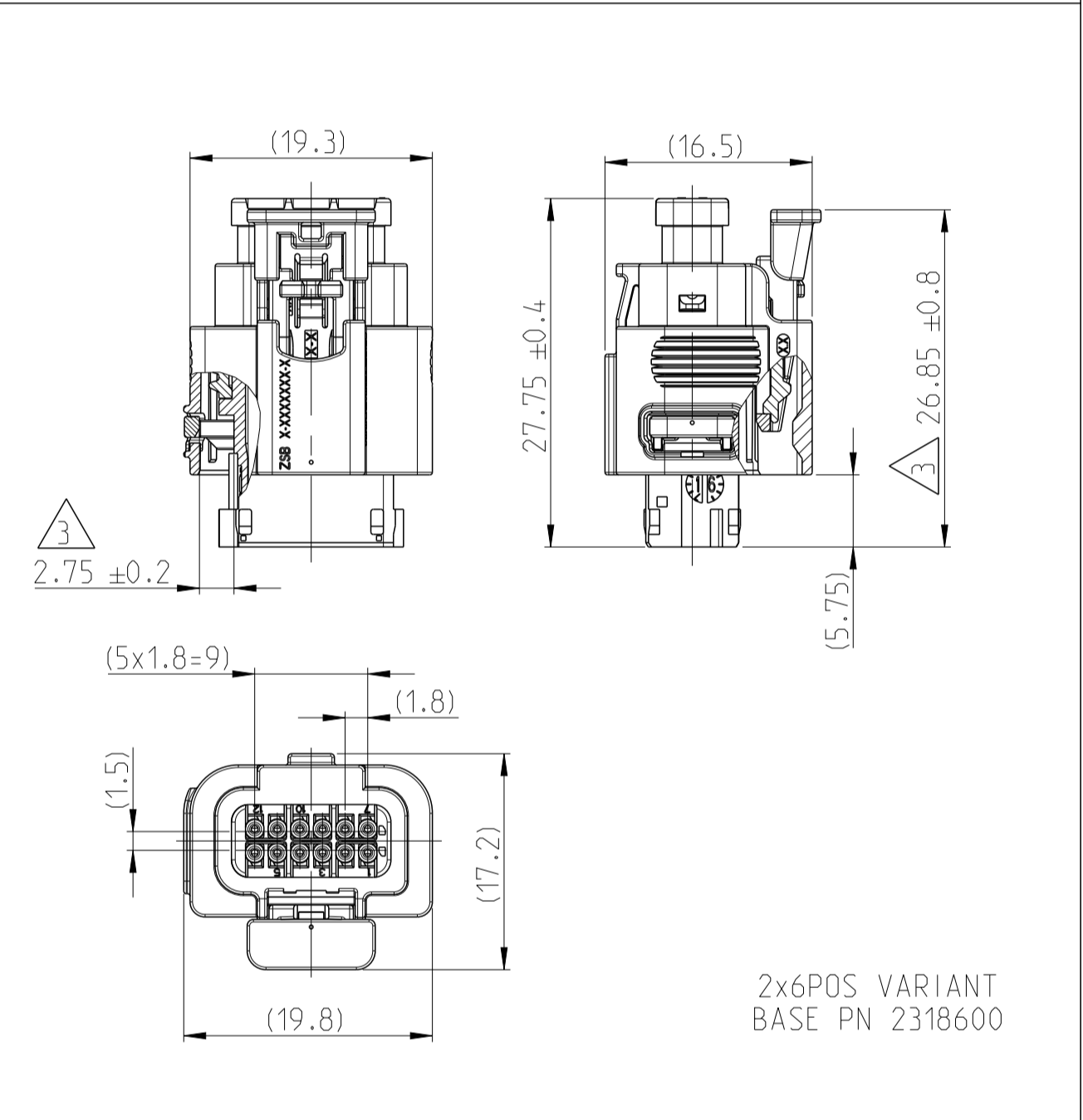
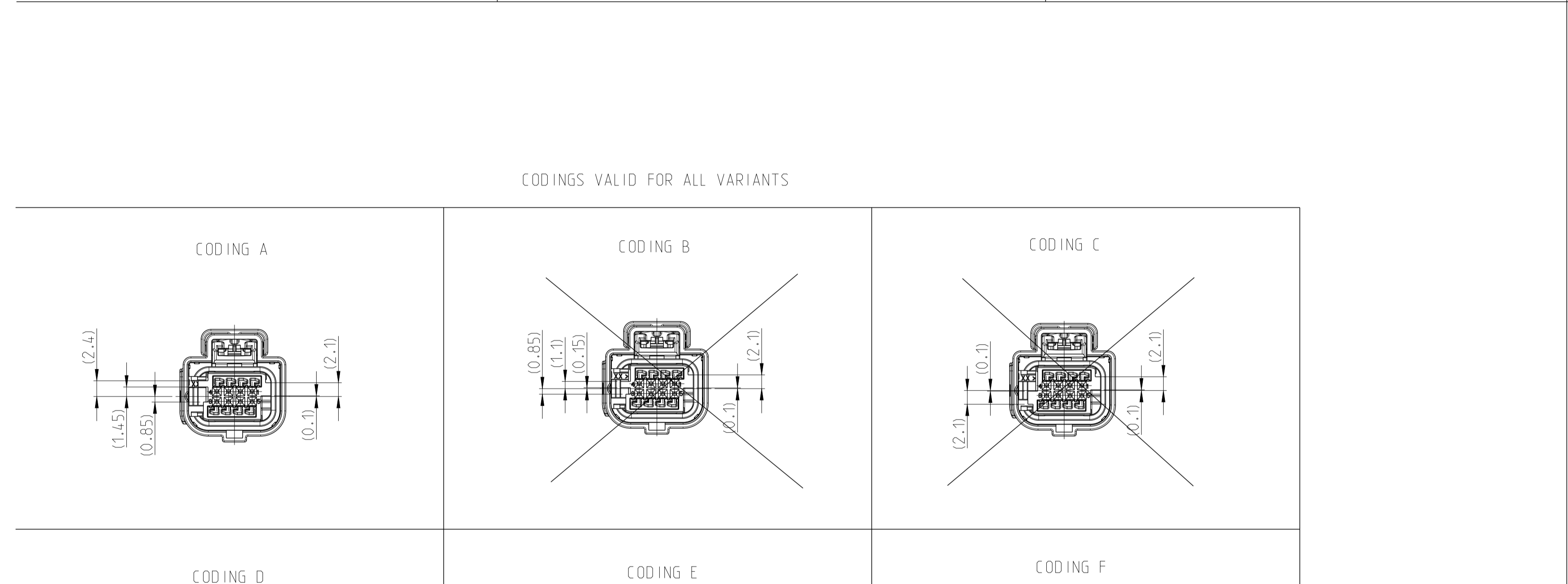
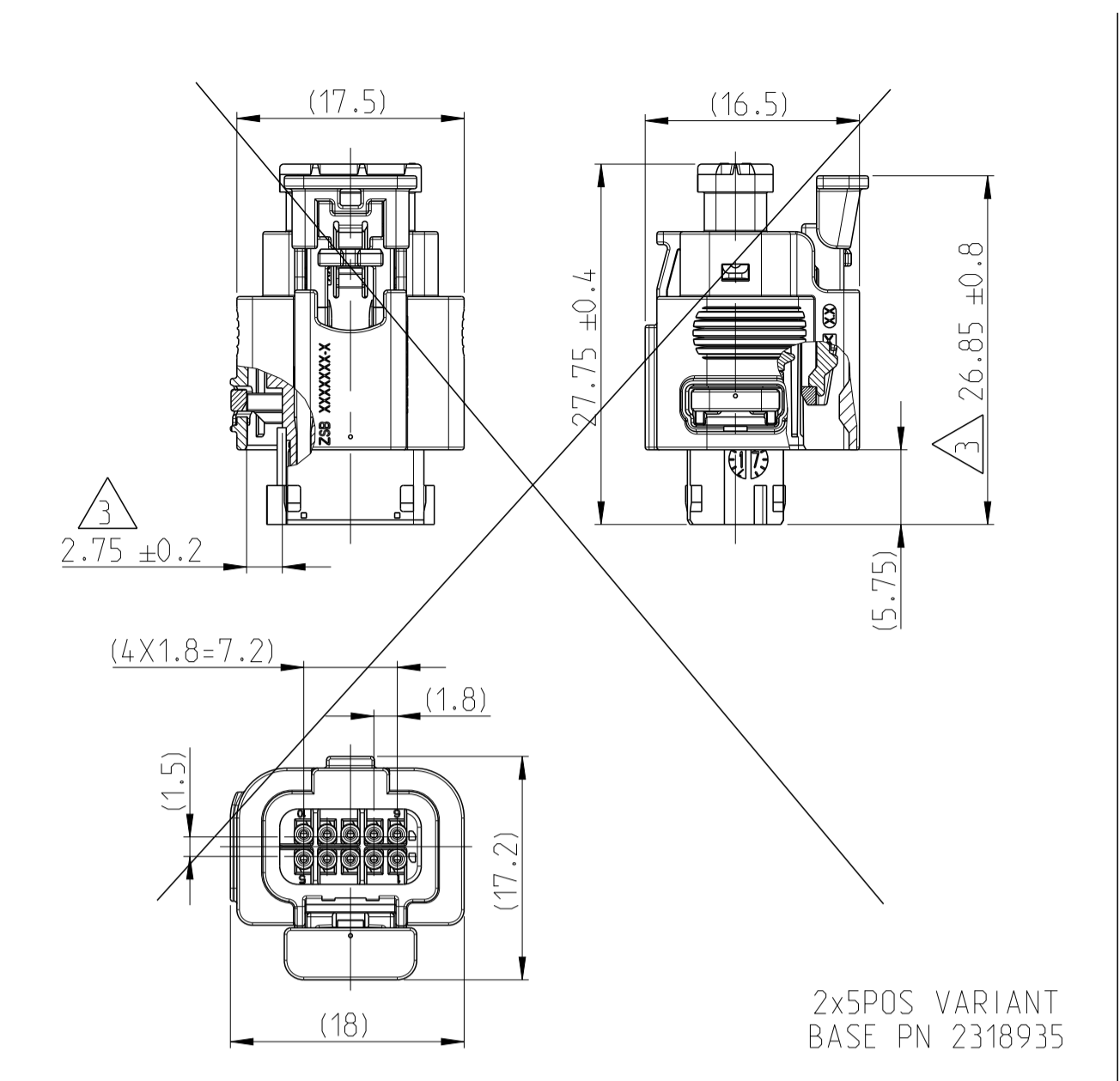
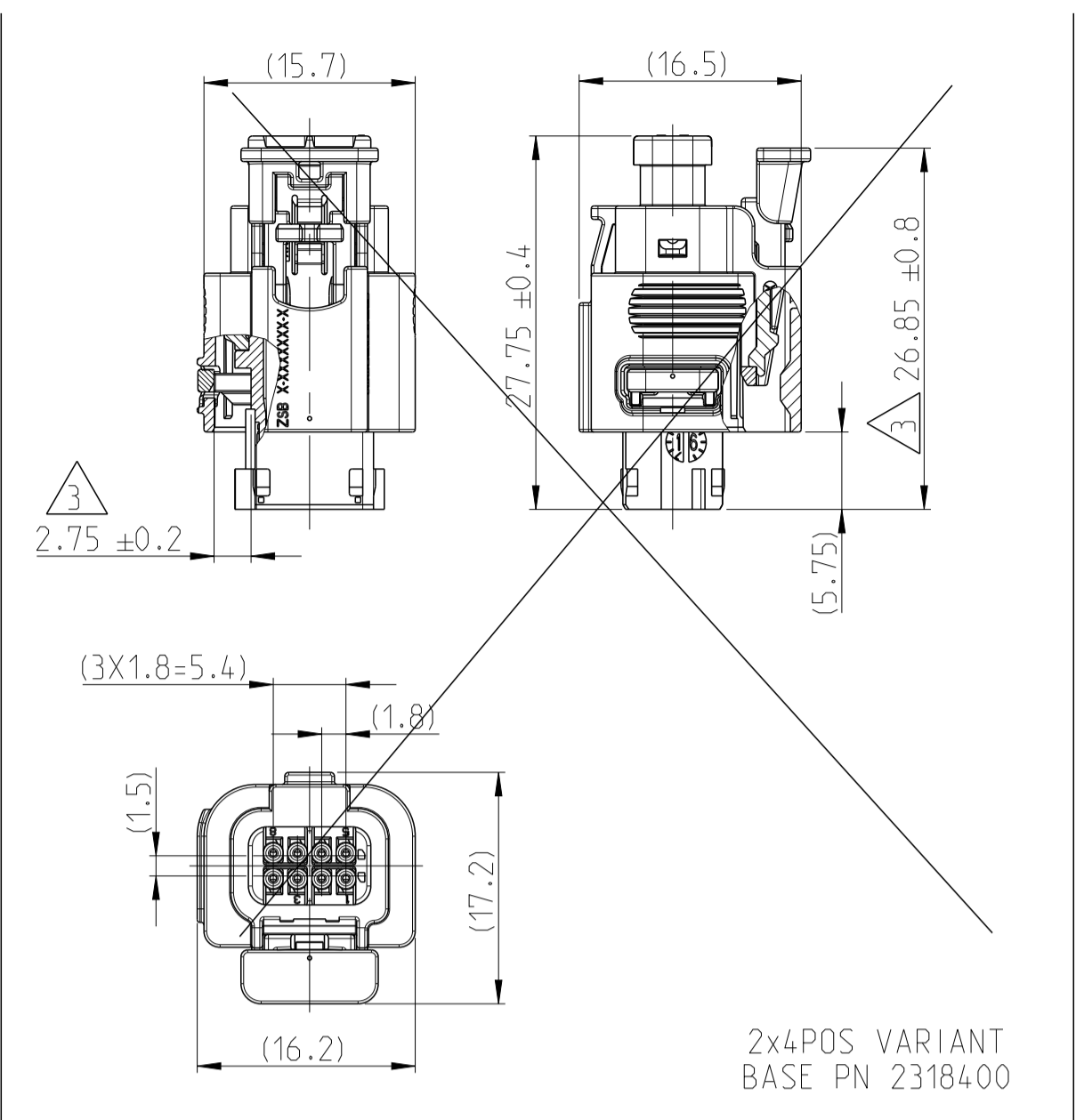
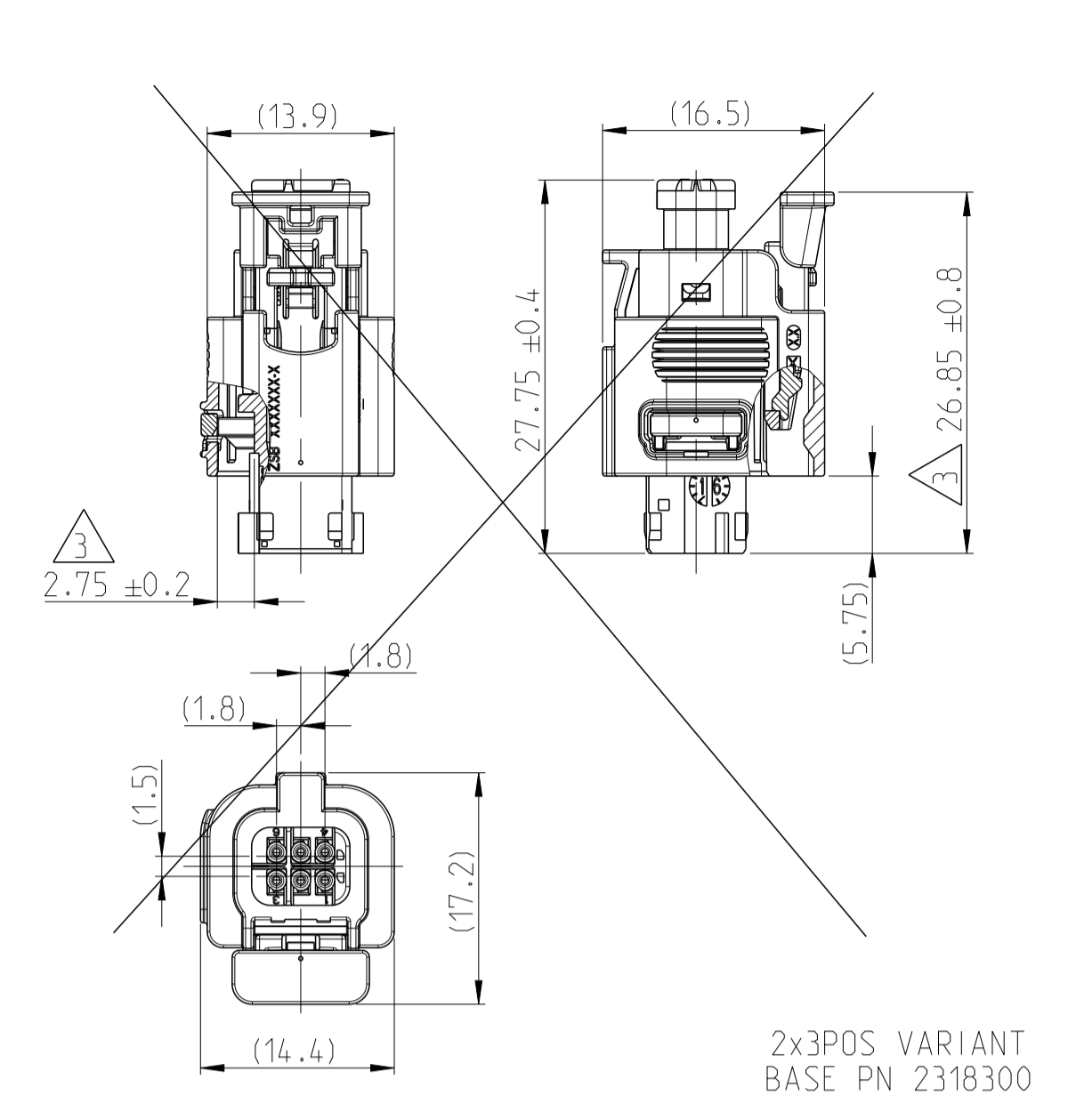
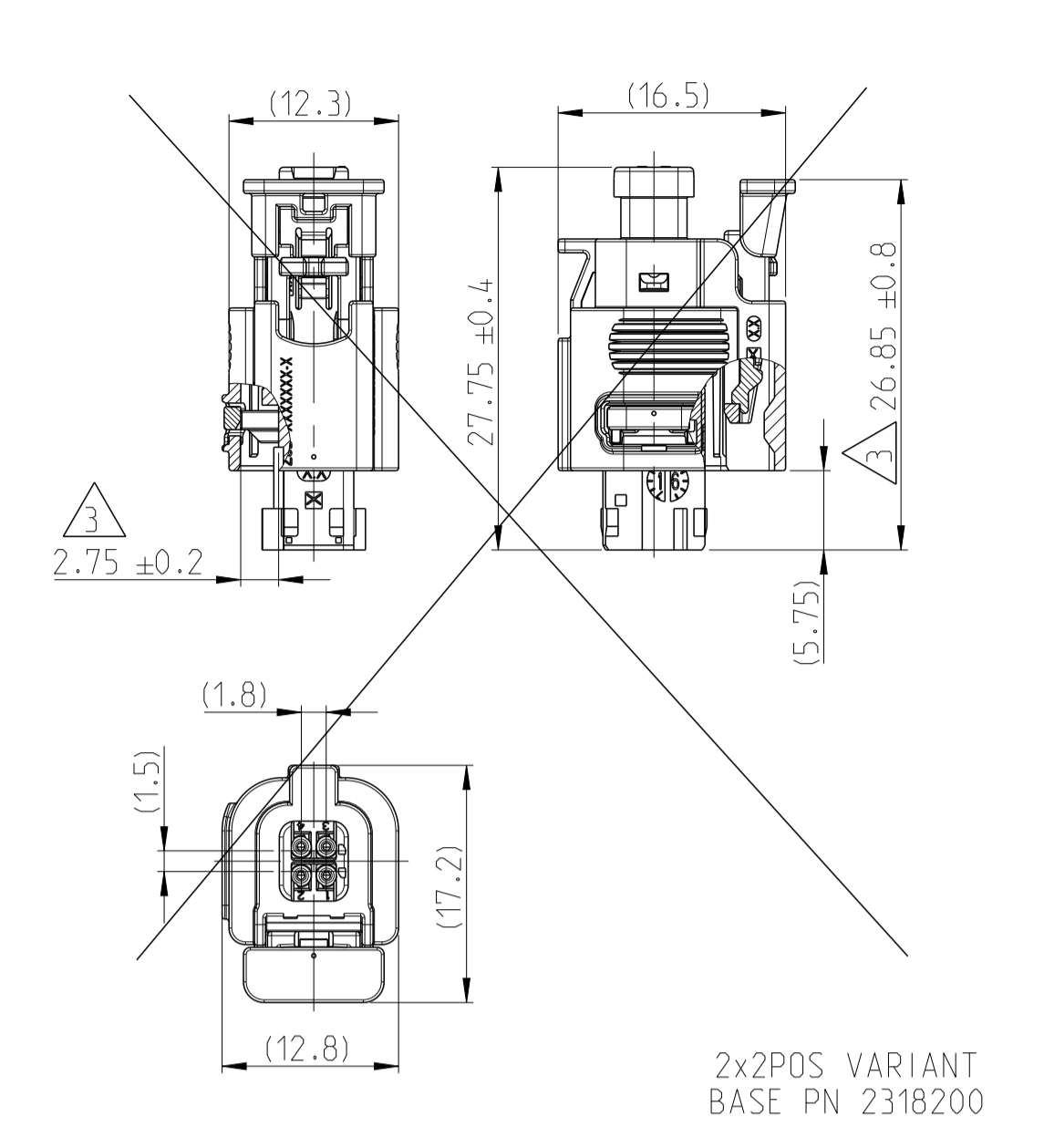
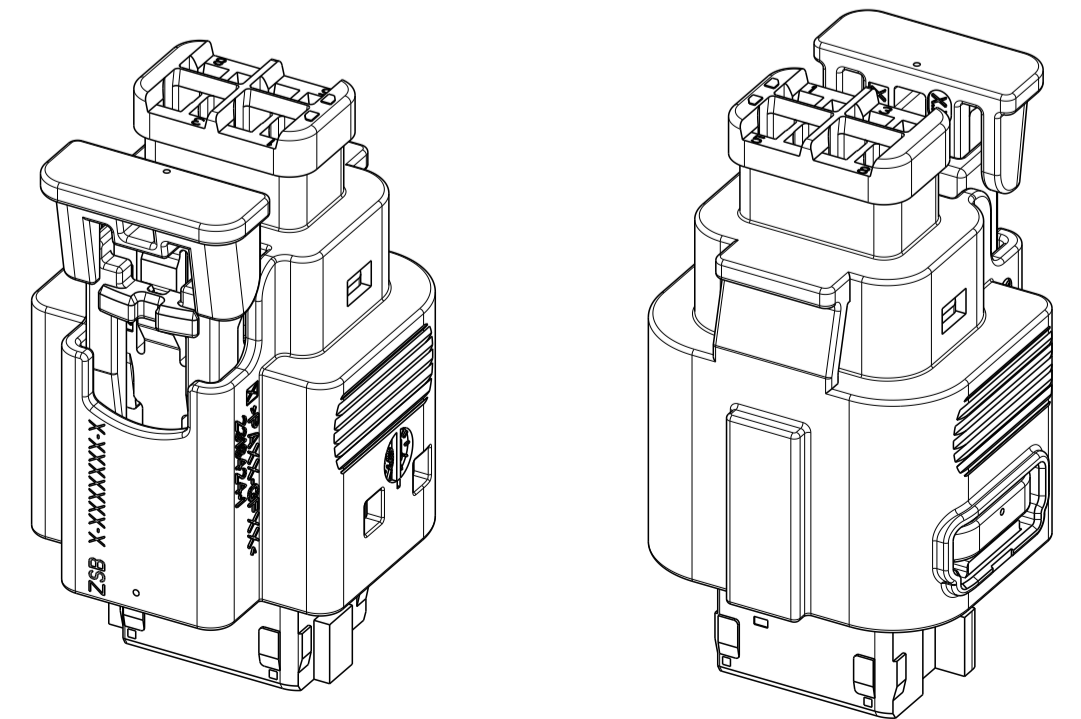


REVISIONS				
P	LTN	DESCRIPTION	DATE	APPV
A		NEW RELEASE	26NOV2022	R.L J.Z
A1		ADD NOTE 5	11JAN2023	R.L J.Z
A2		ECN-24-274868	11JUL2024	SDT J.Z



- NOTES
- PACKING: BULK MATERIAL IN PLASTIC BAG 0-740030-3 AND SHIPPING BOX 0-933058-3 WITH 2x PAPER CUSHION 0-740045-3 ACC. SPEC.107-18052
 - INSULATION DIAMETER: FROM 0.95mm TO 1.3mm
 - DELIVERY STATUS: SECONDARY LOCK MUST BE IN PRE LOCK POSITION
CPA MUST BE IN PRE LOCK POSITION
 - PRODUCT GROUP DRAWING OF THE DUAL ROW MCON 0.5 SOCKET HOUSING MATCHING WITH THE AK-INTERFACE STANDARD 208-18009 / V1 AND V2 (0' VERSION)

3D VIEW 2x4POSN



CONTACTS: MCON 0.5 CB	SEE DRW. 2177908 2177909	XXX
SPECIAL UNLOCKING TOOLS	RETAINER: S-1579028-1 CONTACT: B-1579007-9 2-1579028-8	XXX
TO BE USED WITH	XXX	XXX
PACKING	BULK PACKAGING	XXX
FITTING BLINDPLUGS	2236139-1	XXX
COUNTERPART	XXX	XXX
INTERFACE	208-18009	XXX
PRODUCT-SPEC.	108-94610	XXX
APPLICATION-SPEC.	114-94496	XXX
	TE CONNECTIVITY NO.	DVP PART

THIS DRAWING IS A CONTROLLED DOCUMENT. DIMENSIONING AND TOLERANCING PER GPS (ISO STANDARDS)

TE Connectivity

DUAL ROW MCON 0.5 RECEPTACLE HSG

00779 C=241655

SCALE 2:1 SHEET 1 OF 2 REV A2

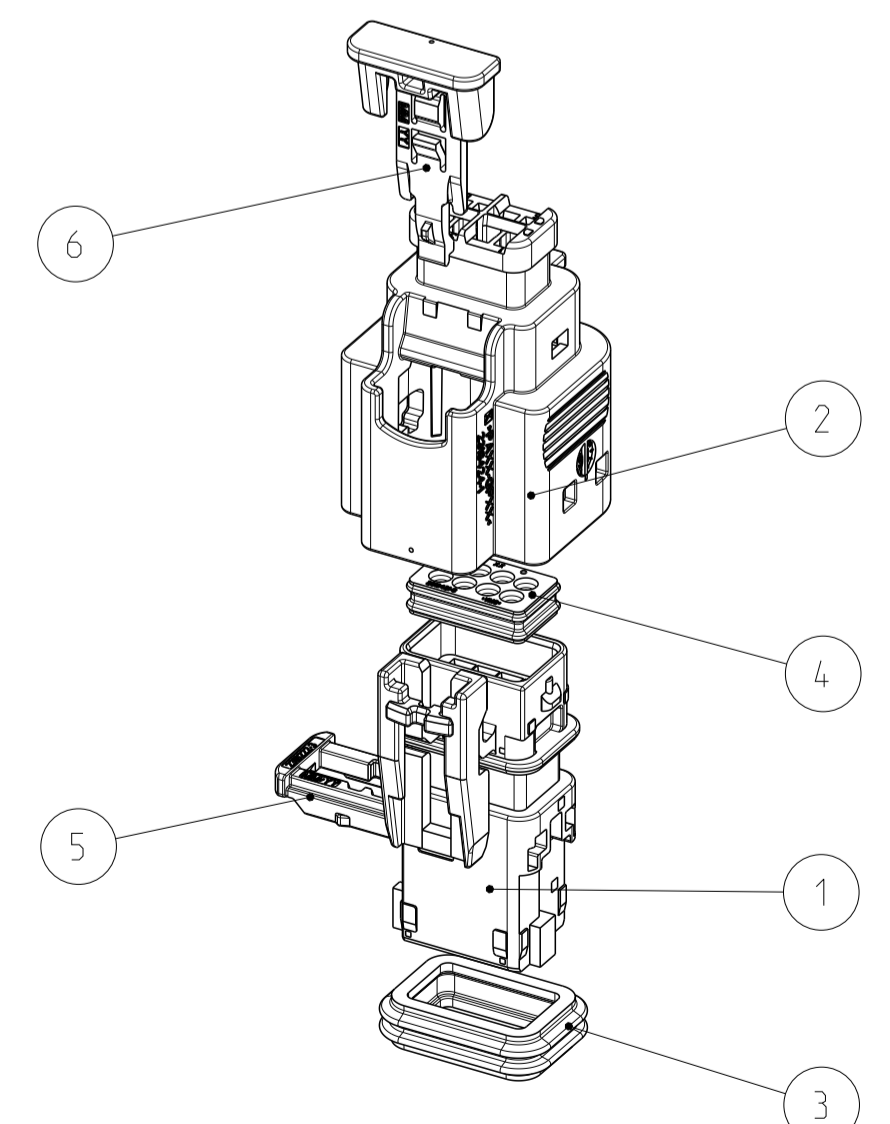
REVISIONS table with columns: P, LTR, DESCRIPTION, DATE, DWN, APVD. Includes entry: SEE SHEET 1.

Table with 8 columns: TE-ASSY-NO., ASSY REV, TE-PART-NO., REV, CODING, MATERIAL, DESCRIPTION, COLOR, QTY., ITEM NO. Includes assembly variants 2318300-9 to 2318200-1.

Table with 8 columns: TE-ASSY-NO., ASSY REV, TE-PART-NO., REV, CODING, MATERIAL, DESCRIPTION, COLOR, QTY., ITEM NO. Includes assembly variants 2318935-9 to 2318400-1.

Table with 8 columns: TE-ASSY-NO., ASSY REV, TE-PART-NO., REV, CODING, MATERIAL, DESCRIPTION, COLOR, QTY., ITEM NO. Includes assembly variants 2438790-9 to 2438200-1.

ITEM NO. VALID FOR ALL VARIANTS



Technical drawing information including: DIMENSIONS (mm), TOLERANCES UNLESS OTHERWISE SPECIFIED, THIS DRAWING IS A CONTROLLED DOCUMENT, DATE: 26NOV2022, and TE Connectivity logo.