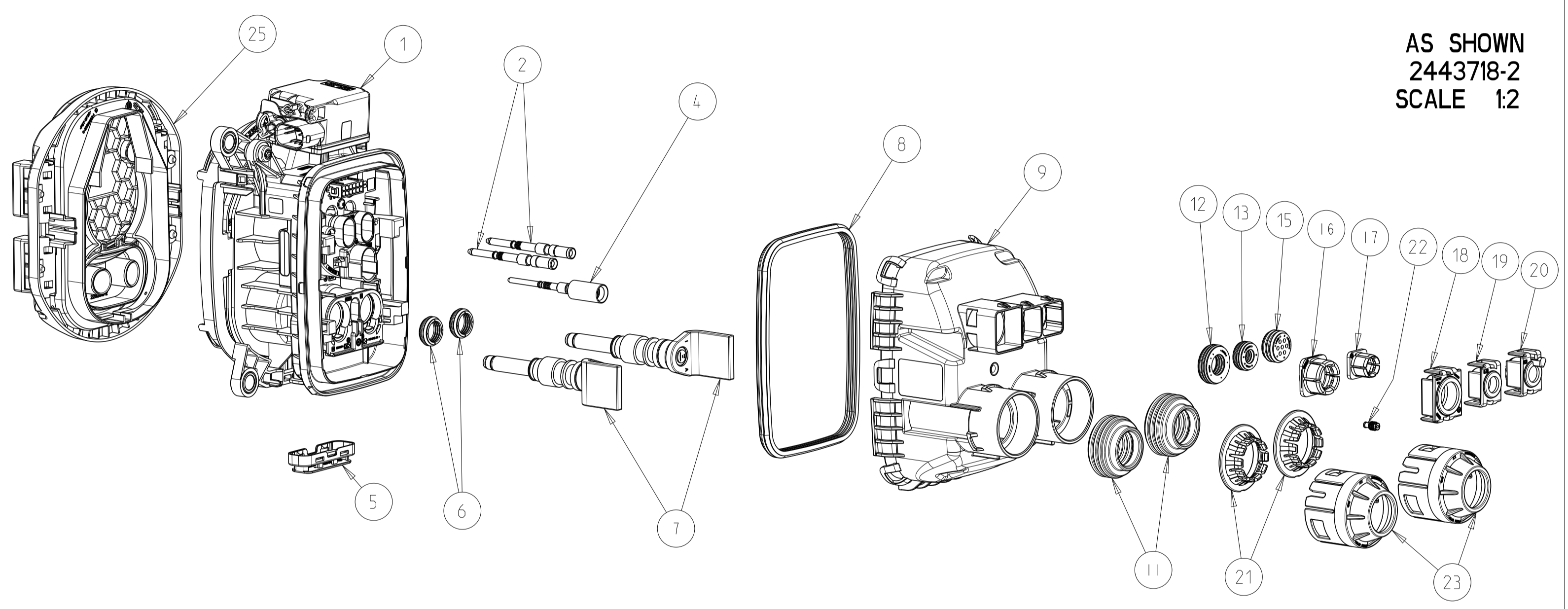
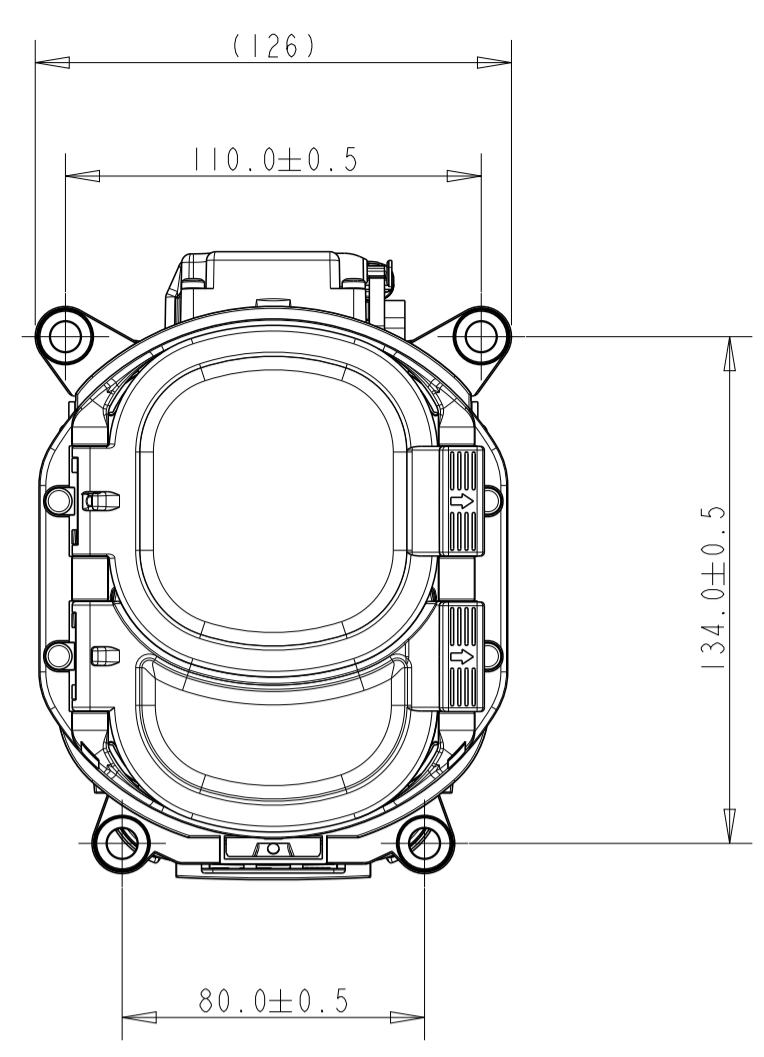


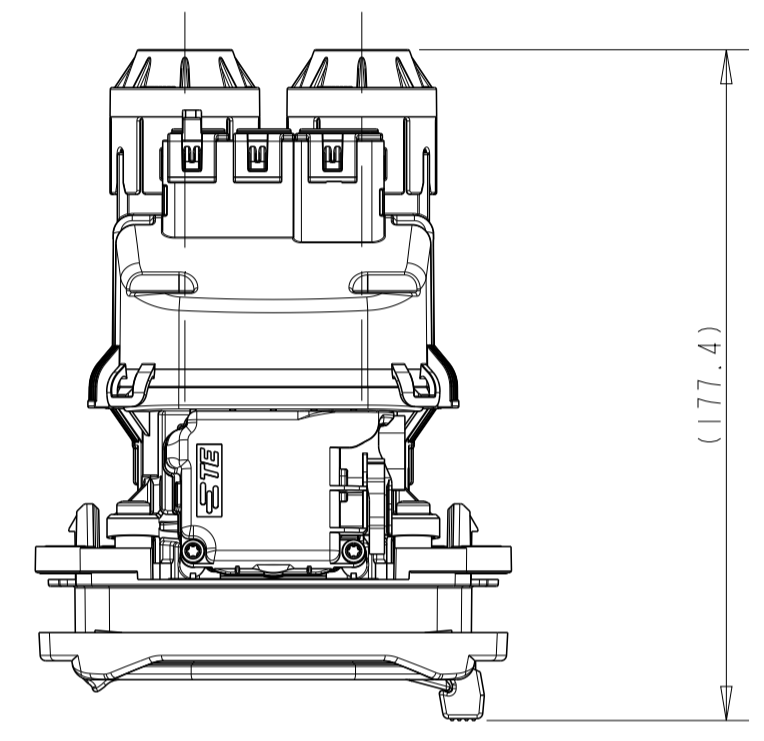
AS SHOWN
2443718-4
SCALE 1:2



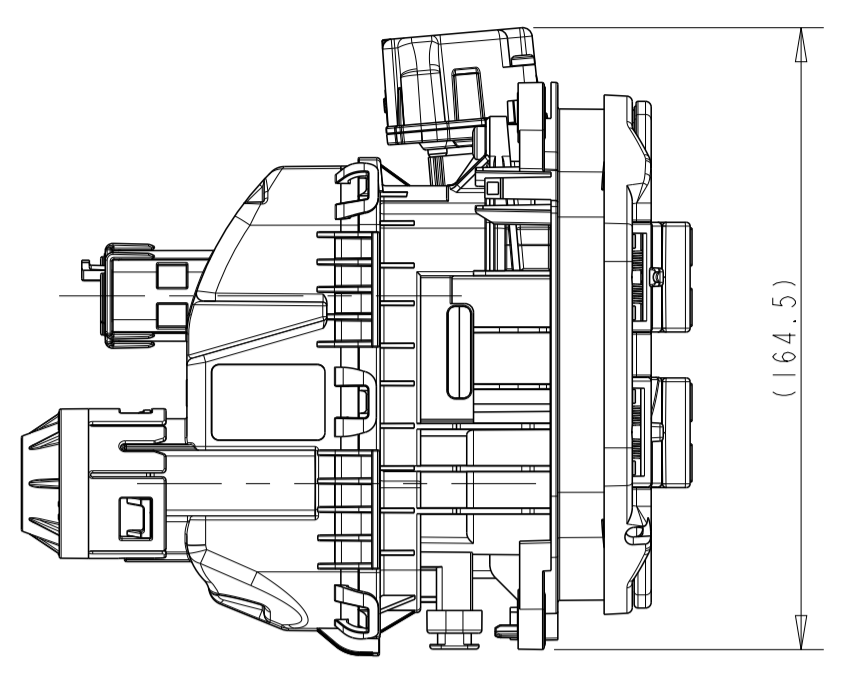
AS SHOWN
2443718-2
SCALE 1:2



AS SHOWN
SCALE 1:2



REVISIONS					
P	LTN	DESCRIPTION	DATE	OWN	APVD
A		INITIAL RELEASE	22DEC2023	AJ	KPB



NOTES

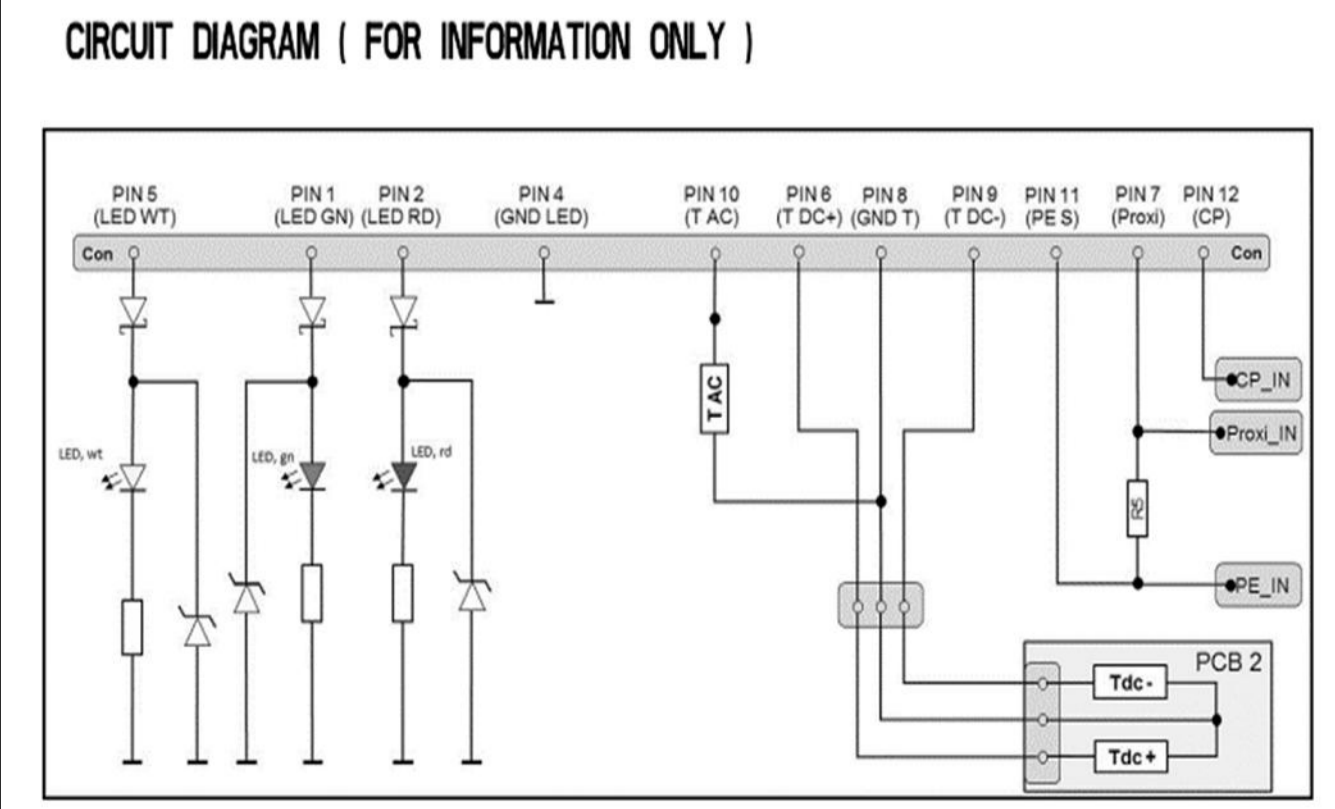
- PACKED INTERLAYERED IN PLASTIC BAG IN CORRUGATED SHIPPING BOX
- CHARGE INLET SIMILAR TO IEC62196-3, CCS 1, SHEET 3-111a
- CHARGE INLET SIMILAR TO IEC62196-2,TYPE 1, SHEET 2-1
- ADAPTIVE CABLES SEE APPLICATION SPECIFICATION 114-94809
- COMPATIBLE PCB CONNECTOR: PN 1-794617-2 WITH TERMINAL PN 0-794606-1
- FUNCTIONAL AND ELECTRICAL REQUIREMENTS OF ACTUATOR SEE SPECIFICATION 108-94519
- COMPATIBLE CONNECTOR FOR ACTUATOR: 1-967640-1
- APPLICABLE SCREWS FOR MOUNTING. HEAD DIAMETER MIN. 10.5mm. TORQUE 6Nm ± 0.9Nm FOR M6 SCREWS
- DELIVERY CONDITION: SEC LOCKS IN PRELOCK CONDITION
- DELIVERY CONDITION ACTUATOR: ACTUATOR IN BASE POSITION
- MAKE SURE THAT NO MECHANICAL FORCE ARE APPLIED ON THE HEADER OF PCB A
- MAX VOLTAGE RATING 250 VAC
MAX CURRENT RATING 32 A
- MAX VOLTAGE RATING 1000 VDC
MAX CURRENT RATING 500 A
- ALL COMPONENTS OF THE PARTS LISTED ARE DELIVERED IN SEPARATE SUBPACKAGES

PINNING PCB

PIN NO.	COMBO 1
1	LED gn
2	LED rd
3	-
4	GND LED
5	LED wt
6	T DC+
7	Proxi
8	GND, Temp
9	T DC-
10	T AC
11	PE S
12	CP

TEST ITEM	TEST VOLTAGE		GROUND PIN	PROPERTY @T _{amb} : 25° ± 5° C	
	VALUE	PIN		LIGHT EMISSION	CURRENT
LED WHITE	11V ± 0.2V	5	4	WHITE	20mA + 4mA
LED GREEN	11V ± 0.2V	1	4	GREEN	20mA + 4mA
LED RED	11V ± 0.2V	2	4	RED	20mA + 4mA

TEST ITEM	RESISTANCE MEASUREMENT		VALUE @T _{amb} : 25° ± 5° C
	TEST PINS		
TAC	10	8	1097 Ω ± 20 Ω
TDC+	6	8	1097 Ω ± 20 Ω
TDC-	9	8	1097 Ω ± 20 Ω
R5	11	7	4700 Ω ± 140 Ω
Proxi	Proxi	7	0 Ω + 1 Ω
CP	CP	12	0 Ω + 1 Ω



3-2293469-2 : 12V ACTUATOR
4-2293469-2 : 24V ACTUATOR
4 WIRE VARIANT:

PIN 3	PIN 2	SENSE RESISTANCE	FUNCTION
-	-	11,000 kOhm ± 2%	LOCKED
-	+	2,194 kOhm ± 2%	DRIVE
-	-	1,540 kOhm ± 2%	FAULT
-	+	0,989 kOhm ± 2%	UNLOCKED

PIN 1	PIN 4	FUNCTION
-	+	UNLOCKING
+	-	LOCKING

2	2	2	2	2399669-2	CABLE COVER, 95mm2	PA66-GF30	ORANGE	23
1	1	1	1	963143-1	MGS BLIND PLUG	SILICON	WHITE	22
2	2	2	2	2399668-2	STRAIN RELIEF, 95mm2	PA66-GF30	BLACK	21
1	1	1	1	2369838-1	LV WIRE COVER	PBT-GF30 HR HFS	BLACK	20
1	1	1	1	2369840-3	CABLE COVER, PE, 25mm2	PBT-GF30 HR HFS	BLUE	19
-	-	-	1	2401256-1	CABLE COVER, AC	PBT-GF30 HR HFS	BLACK	18
1	1	1	1	2390861-1	STRAIN RELIEF PE, 25mm2	PBT-GF30 HR HFS	BLACK	17
-	-	-	1	2401254-2	STRAIN RELIEF AC	PBT-GF30 HR HFS	BLACK	16
1	1	1	-	2418662-1	GROMMET SEAL, 7 WIRE	LIQUID SILICONE RUBBER	BROWN	15
-	-	-	1	2401251-1	GROMMET SEAL, 11 WIRE	LIQUID SILICONE RUBBER	YELLOW	14
1	1	1	1	2418661-1	SINGLE WIRE PE SEAL, 25mm2	LIQUID SILICONE RUBBER	LIGHT BLUE	13
-	-	-	1	2402051-1	SINGLE WIRE AC SEAL	LIQUID SILICONE RUBBER	GREY	12
2	2	2	2	2399667-2	RADIAL SEAL, 95mm2	LIQUID SILICONE RUBBER	GREEN	11
1	1	-	-	2390858-1	CABLE EXIT, WITHOUT AC	PA6-GF30	ORANGE	10
-	-	-	1	2390858-2	CABLE EXIT, WITH AC	PA6-GF30	ORANGE	9
1	1	1	1	2338079-1	PERIPHERAL SEAL COMBO	VMQ	SIGNAL BLUE	8
2	2	2	2	2402050-1	DIA 8MM,PIN TERMINAL ASSY	COPPER	SILVER/TIN	7
2	2	2	2	2338077-1	SEALING	VMQ	RED	6
1	1	1	1	2292534-1	PROTECTION CAP,WATER DRAIN	PA6-GF10+GB20	BLACK	5
1	1	1	1	2293267-5	PIN DIA 2.8, RIGID, POWER PE	BRASS	SILVER	4
2	2	-	-	2389290-1	CHARGE INLET HSG, CAVITY PLUG	PA6-GF30	BLACK	3
-	-	-	2	2-2293266-3	PIN CONTACT, DIA3.6, ASSY	COPPER	SILVER	2
-	1	-	-	2402048-3	COMBO 1, CHARGE INLET ASSY W/O LED, 12V ACTUATOR	-	-	1
-	-	-	1	2402048-1	COMBO 1, CHARGE INLET ASSY WITH LED, 12V ACTUATOR	-	-	1

THIS DRAWING IS A CONTROLLED DOCUMENT.

OWNER: AJITH JAMES, 24APR2023
 CHK: AMRUTHA RAO C H, 24APR2023
 APVD: KASHYAP P B, 24APR2023

DIMENSIONS: mm
 TOLERANCES UNLESS OTHERWISE SPECIFIED:
 0 PLC ±0.1
 1 PLC ±0.1
 2 PLC ±0.1
 3 PLC ±0.001
 4 PLC ±0.001
 ANGLES ±0.1

MATERIAL: SEE TABLE
 FINISH: -

WEIGHT: 108-94906
 114-94809

CUSTOMER DRAWING

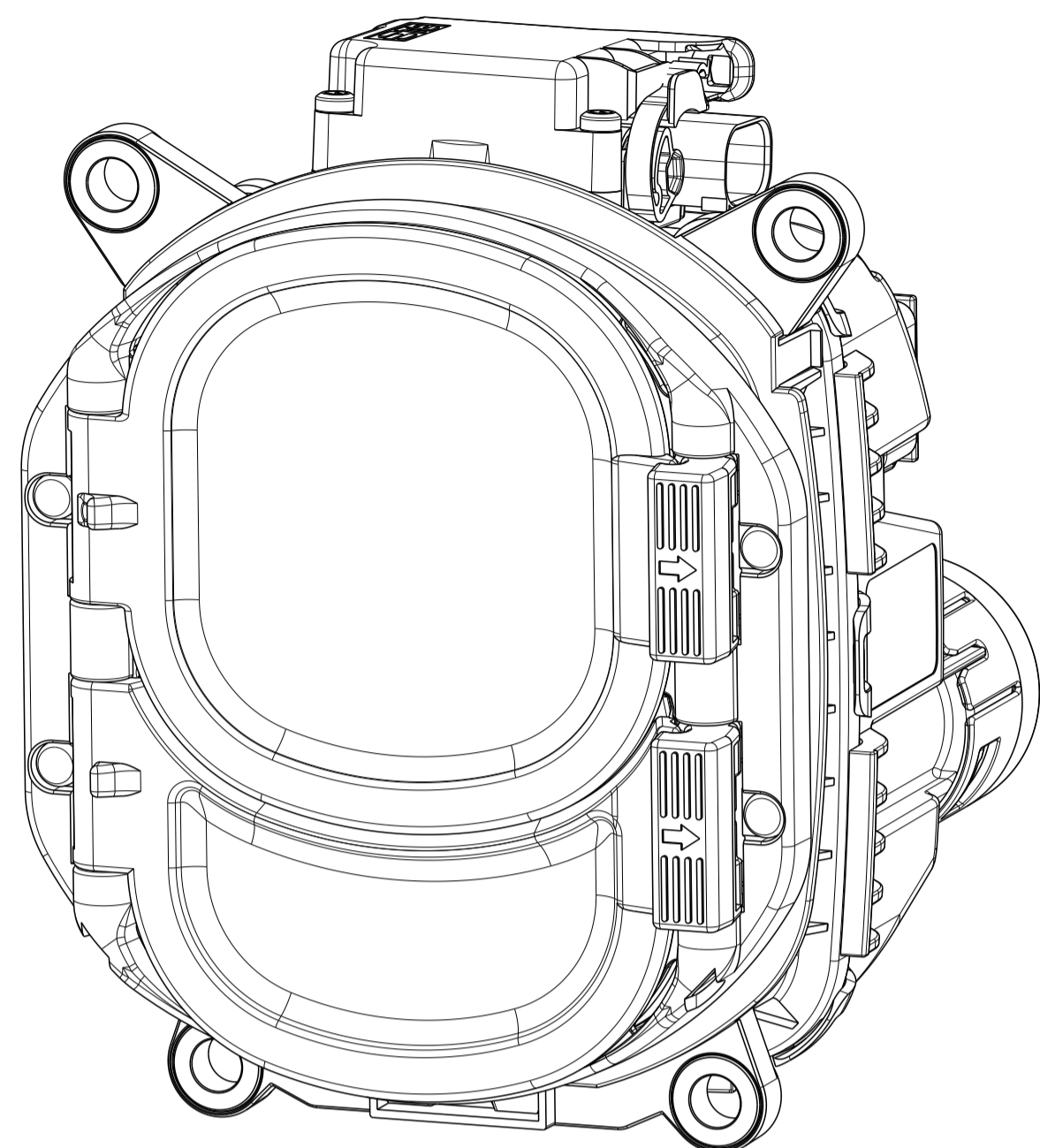
NAME: CCS1-KIT ASSY_95SQMM-32A
 SIZE: 108-94906
 APPLICATION SPEC: 114-94809

SCALE: 1:1
 SHEET 1 OF 2
 REV A

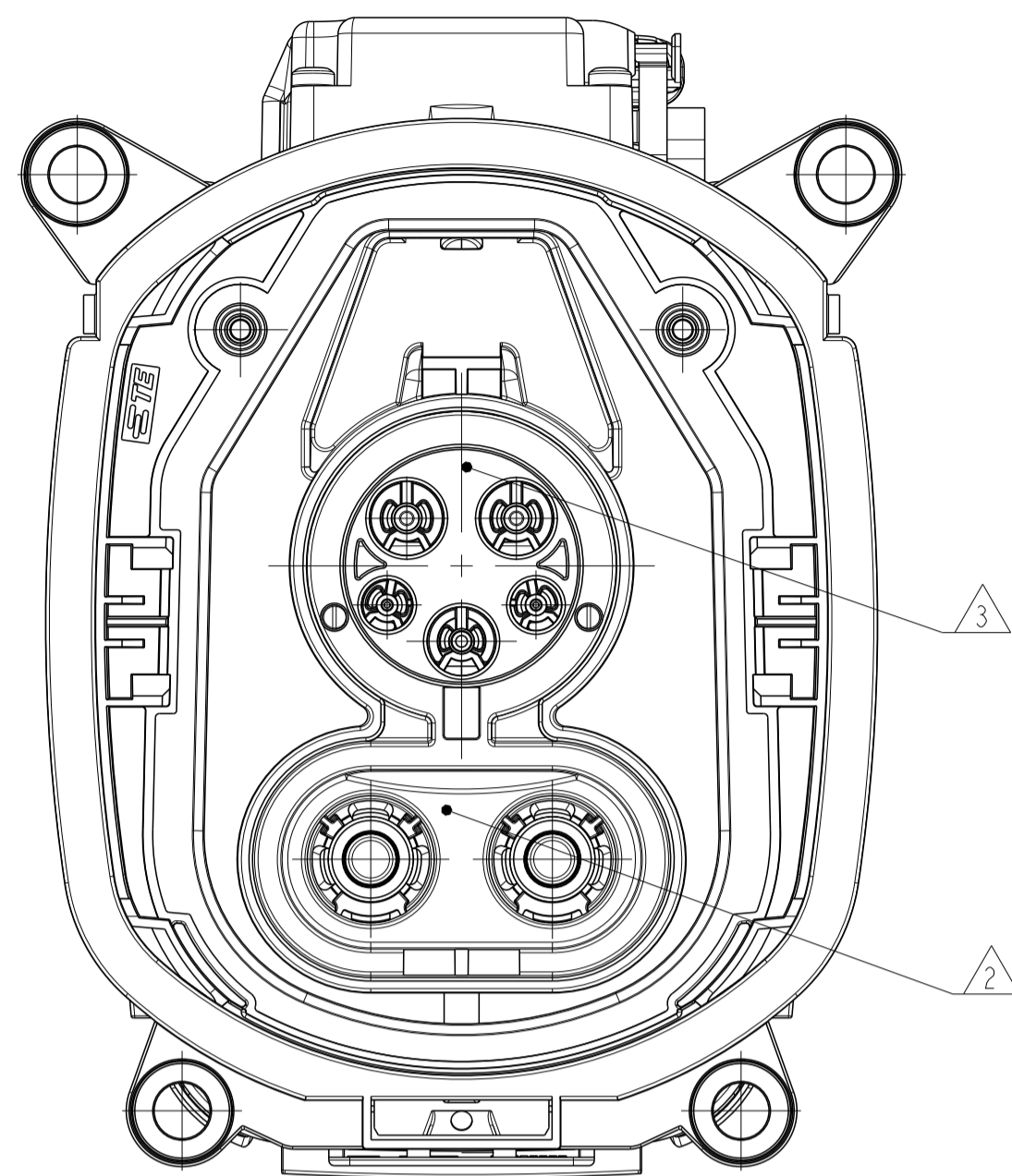
DIMENSION AND TOLERANCES ACCORDING TO:
 Bemaßungen und Toleranzen gemäß:
 DIN ISO 20457
 DIN EN ISO 8015 (A1) - DIN EN ISO 291
 DIN EN ISO 14405-1/-2/-3

VARIANTS OVERVIEW

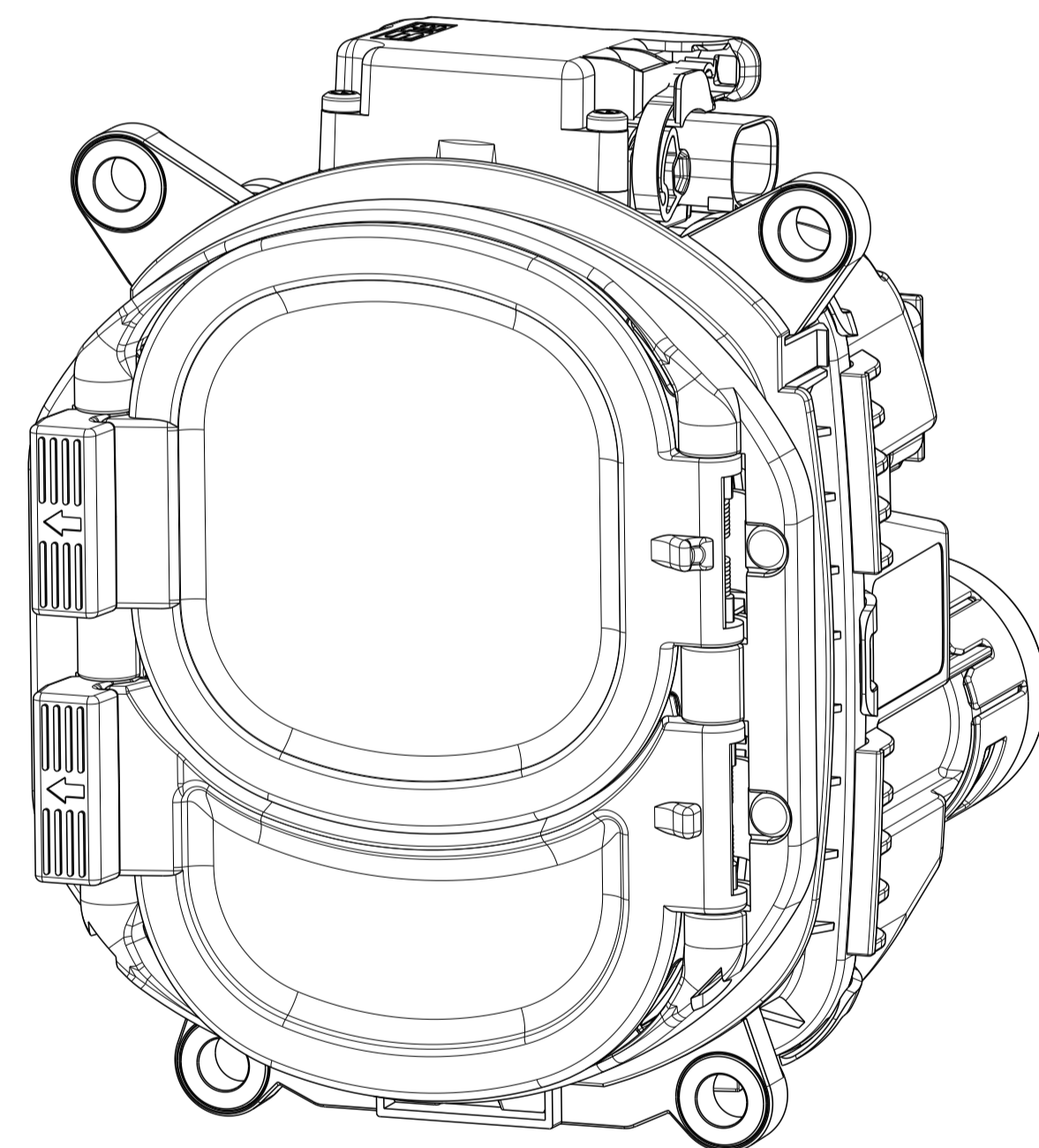
**CHARGE INLET ASSEMBLY 180° DC & 180° AC
FLAP ASSEMBLY LEFT**
SCALE 1:1



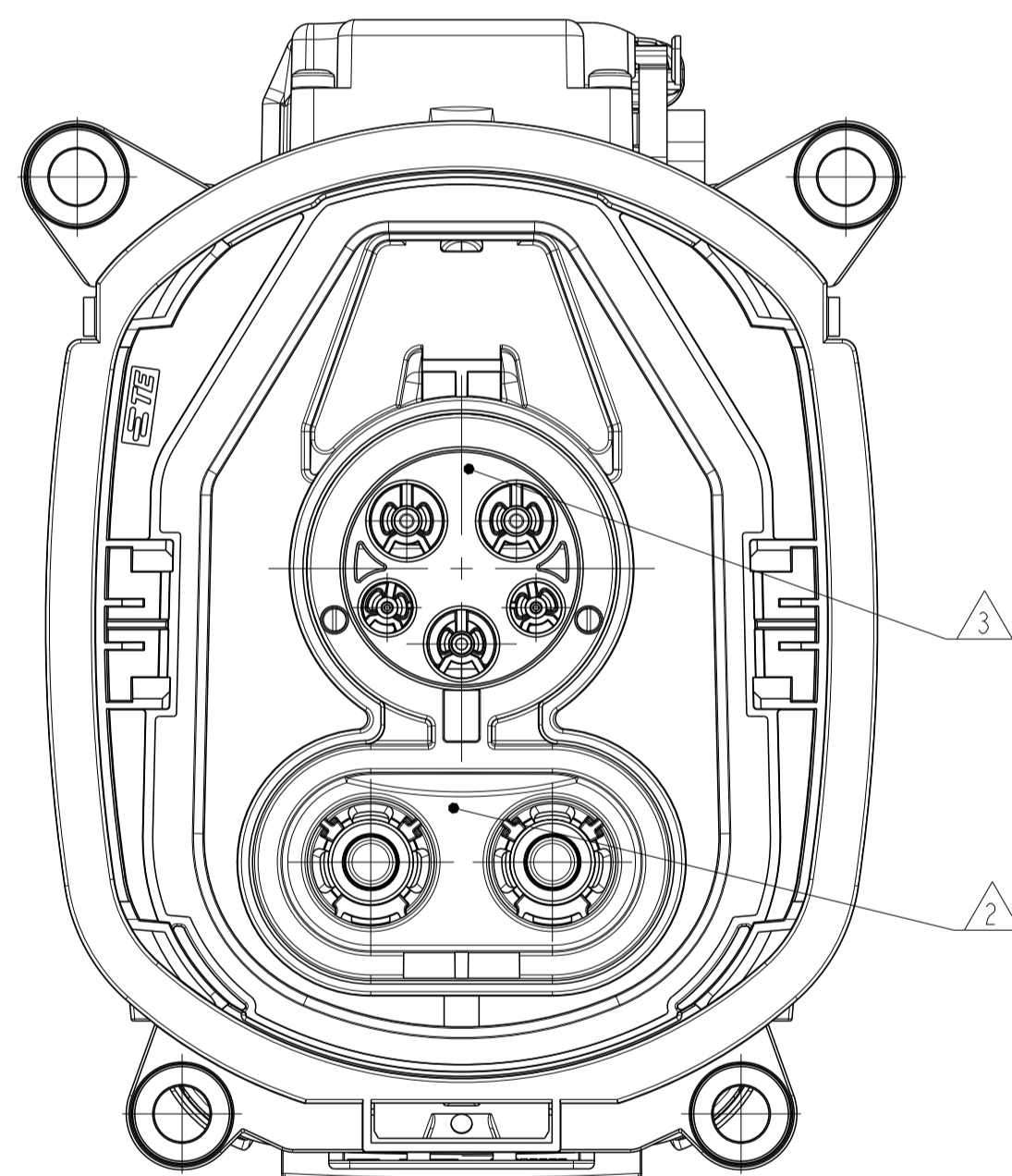
WITHOUT FLAP ASSEMBLY-WITH LED
SCALE 1:1



**CHARGE INLET ASSEMBLY 180° DC & 180° AC
FLAP ASSEMBLY RIGHT**
SCALE 1:1



WITHOUT FLAP ASSEMBLY-W/O LED
SCALE 1:1



REVISIONS				
P	LTN	DESCRIPTION	DATE	OWN
		SEE SHEET 1		

FLAP OPTIONS AVAILABLE

ITEM NO	DESCRIPTION	ORDER PN	QTY	IMAGE
24	FLAP ASSY. LEFT WITH LED	2358664-5	1	SECTION B-B SCALE 1:4
	FLAP ASSY. RIGHT WITH LED	2358664-7	1	SECTION B-B SCALE 1:4
25	FLAP ASSY. LEFT WITHOUT LED	2358664-1	1	SECTION B-B SCALE 1:4
	FLAP ASSY. RIGHT WITHOUT LED	2358664-3	1	SECTION B-B SCALE 1:4

2	2	2	2	2399669-2	CABLE COVER, 95mm2	PA66-GF30	ORANGE	23
1	1	1	1	963143-1	MGS BLIND PLUG	SILICON	WHITE	22
2	2	2	2	2399668-2	STRAIN RELIEF, 95mm2	PA66-GF30	BLACK	21
1	1	1	1	2369838-1	LV WIRE COVER	PBT-GF30 HR HFS	BLACK	20
1	1	1	1	2369840-3	CABLE COVER, PE, 25mm2	PBT-GF30 HR HFS	BLUE	19
-	-	1	1	2401256-1	CABLE COVER, AC	PBT-GF30 HR HFS	BLACK	18
1	1	1	1	2390861-1	STRAIN RELIEF PE, 25mm2	PBT-GF30 HR HFS	BLACK	17
-	-	1	1	2401254-2	STRAIN RELIEF AC	PBT-GF30 HR HFS	BLACK	16
1	1	1	-	2418662-1	GROMMET SEAL, 7 WIRE	LIQUID SILICONE RUBBER	BROWN	15
-	-	1	1	2401251-1	GROMMET SEAL, 11 WIRE	LIQUID SILICONE RUBBER	YELLOW	14
1	1	1	1	2418661-1	SINGLE WIRE PE SEAL, 25mm2	LIQUID SILICONE RUBBER	LIGHT BLUE	13
-	-	1	1	2402051-1	SINGLE WIRE AC SEAL	LIQUID SILICONE RUBBER	GREY	12
2	2	2	2	2399667-2	RADIAL SEAL, 95mm2	LIQUID SILICONE RUBBER	GREEN	11
1	1	-	-	2390858-1	CABLE EXIT, WITHOUT AC	PA6-GF30	ORANGE	10
-	-	1	1	2390858-2	CABLE EXIT, WITH AC	PA6-GF30	ORANGE	9
1	1	1	1	2338079-1	PERIPHERAL SEAL COMBO	VMQ	SIGNAL BLUE	8
2	2	2	2	2402050-1	DIA 8MM,PIN TERMINAL ASSY	COPPER	SILVER/TIN	7
2	2	2	2	2338077-1	SEALING	VMQ	RED	6
1	1	1	1	2292534-1	PROTECTION CAP,WATER DRAIN	PA6-GF10+GB20	BLACK	5
1	1	1	1	2293267-5	PIN DIA 2.8, RIGID, POWER PE	BRASS	SILVER	4
2	2	-	-	2389290-1	CHARGE INLET HSG, CAVITY PLUG	PA6-GF30	BLACK	3
-	-	2	2	2-2293266-3	PIN CONTACT, DIA3.6, ASSY	COPPER	SILVER	2
1	-	1	-	2402048-4	COMBO 1. CHARGE INLET ASSY W/O LED, 24V ACTUATOR	-	-	1
-	1	-	1	2402048-2	COMBO 1. CHARGE INLET ASSY WITH LED, 24V ACTUATOR	-	-	1
1-2443718-4	1-2443718-3	1-2443718-2	1-2443718-1	ORDER PN	PART DESCRIPTION	MATERIAL	SURFACE/COLOR	ITEM NO
KIT ASSY W/O AC & W/O LED 24V ACTUATOR	KIT ASSY W/O AC & WITH LED 24V ACTUATOR	KIT ASSY WITH AC & W/O LED 24V ACTUATOR	KIT ASSY WITH AC & WITH LED 24V ACTUATOR					

DIMENSION AND TOLERANCES ACCORDING TO:
Bemaßungen und Toleranzen gemäß:
DIN ISO 20457
DIN EN ISO 8015 (A1) - DIN EN ISO 291
DIN EN ISO 14405-1/-2/-3

THIS DRAWING IS A CONTROLLED DOCUMENT.		OWN: AJITH JAMES 24APR2023		NAME: CCS1-KIT ASSY_95SQMM-32A																		
DIMENSIONS: mm		CHK: AMRUTHA RAO C H 24APR2023		SIZE: CAGE CODE: DRAWING NO: 00779 C=2443718																		
TOLERANCES UNLESS OTHERWISE SPECIFIED:		APVD: KASHYAP P B 24APR2023		RESTRICTED TO: A																		
<table border="1"> <tr><td>0</td><td>PLC</td><td>±</td></tr> <tr><td>1</td><td>PLC</td><td>±</td></tr> <tr><td>2</td><td>PLC</td><td>±</td></tr> <tr><td>3</td><td>PLC</td><td>±</td></tr> <tr><td>4</td><td>PLC</td><td>±</td></tr> <tr><td>ANGLES</td><td></td><td>±</td></tr> </table>		0		PLC	±	1	PLC	±	2	PLC	±	3	PLC	±	4	PLC	±	ANGLES		±	PRODUCT SPEC: 108-94906	SCALE: 1:1 SHEET 2 OF 2 REV A
0	PLC	±																				
1	PLC	±																				
2	PLC	±																				
3	PLC	±																				
4	PLC	±																				
ANGLES		±																				
MATERIAL: SEE TABLE		FINISH: -	WEIGHT: -																			
		CUSTOMER DRAWING																				