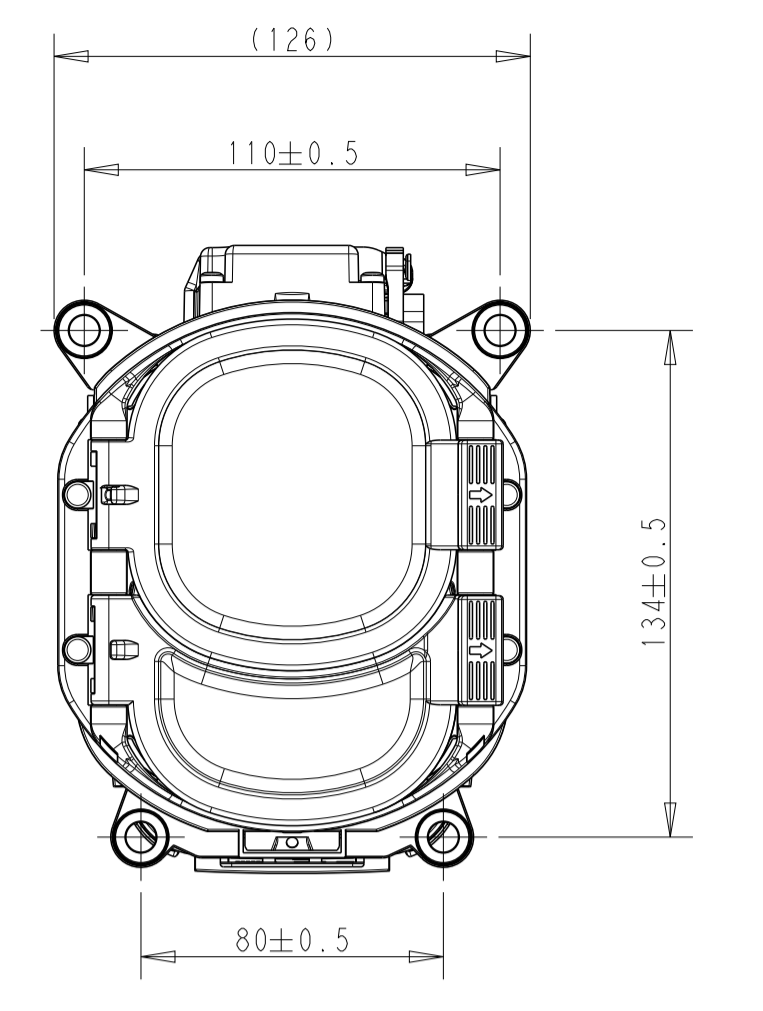
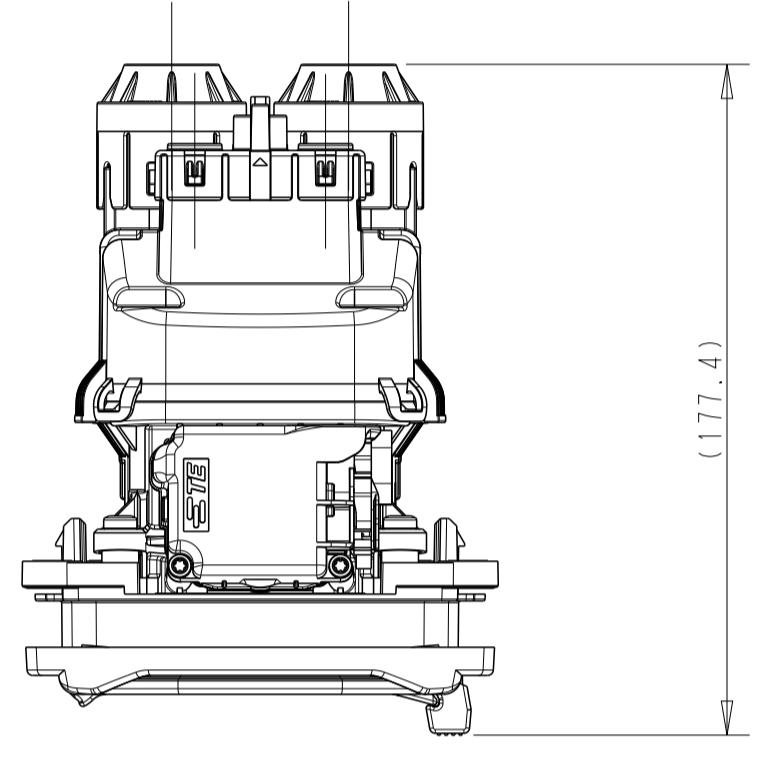
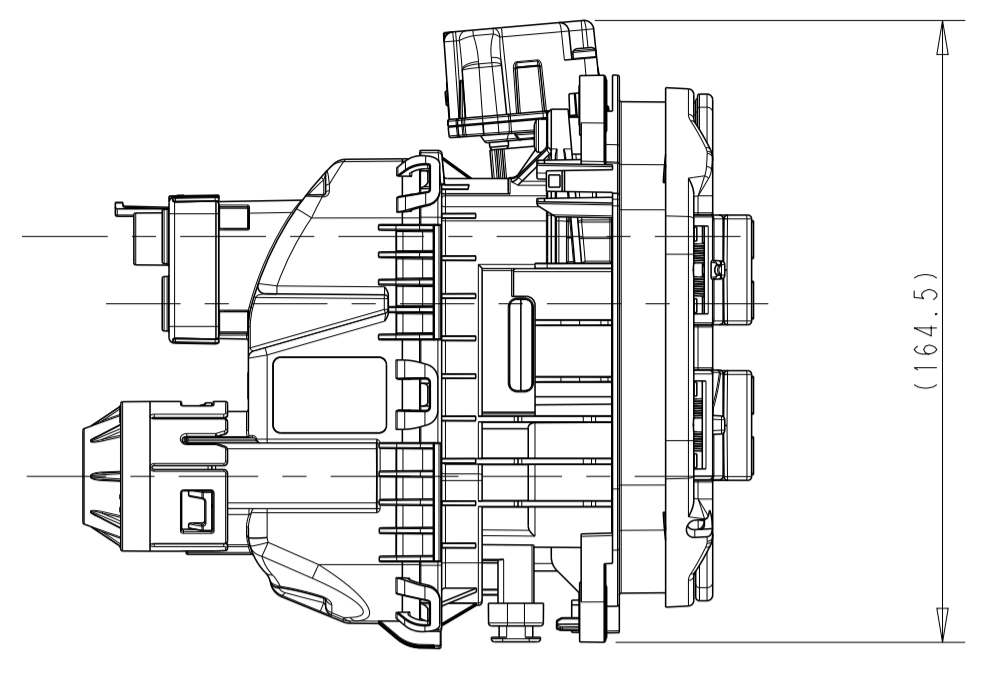


AS SHOWN
2443721-1
SCALE 1:2



AS SHOWN
SCALE 1:2



REVISIONS				
P	LTN	DESCRIPTION	DATE	APPV
A		INITIAL RELEASE	22AUG2023	AJ KBP

NOTES

- 1 PACKED INTERLAYERED IN PLASTIC BAG IN CORRUGATED SHIPPING BOX
- 2 CHARGE INLET SIMILAR TO IEC62196-3, CCS 1, SHEET 3-111a
- 3 CHARGE INLET SIMILAR TO IEC62196-2,TYPE 1, SHEET 2-1
- 4 ADAPTIVE CABLES SEE APPLICATION SPECIFICATION 114-94814
- 5 COMPATIBLE PCB CONNECTOR: PN 1-794617-2 WITH TERMINAL PN 0-794606-1
- 6 FUNCTIONAL AND ELECTRICAL REQUIREMENTS OF ACTUATOR SEE SPECIFICATION 108-94519
- 7 COMPATIBLE CONNECTOR FOR ACTUATOR: 1-967640-1
- 8 APPLICABLE SCREWS FOR MOUNTING, HEAD DIAMETER MIN. 10.5mm,TORQUE 6Nm±0.9Nm FOR M6 SCREWS
- 9 DELIVERY CONDITION: SEC LOCK IN PRELOCK CONDITION
- 10 DELIVERY CONDITION ACTUATOR: ACTUATOR IN BASE POSITION
- 11 MAKE SURE THAT NO MECHANICALFORCES ARE APPLIED ON THE HEADER OF PCB A
- 12 MAXIMUM VOLTAGE RATING 250 VAC
MAXIMUM CURRENT RATING 80A
- 13 MAXIMUM VOLTAGE RATING 1000 VDC
MAXIMUM CURRENT RATING 500A
- 14 ALL COMPONENTS OF THE PARTS LISTED ARE DELIVERED IN SEPARATE SUB PACKAGES

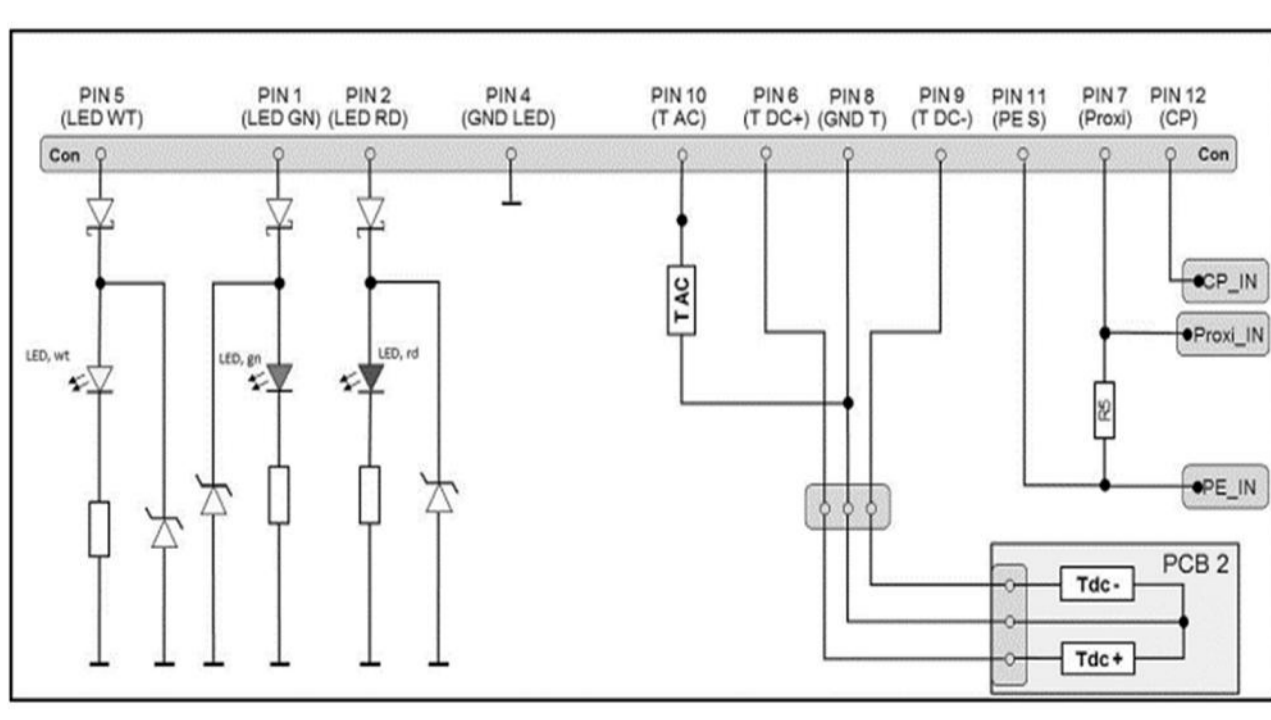
PINNING PCB

PIN NO.	COMBO 1
1	LED gn
2	LED rd
3	-
4	GND LED
5	LED wt
6	T DC+
7	Proxi
8	GND, Temp
9	T DC-
10	T AC
11	PE S
12	CP

TEST ITEM	TEST VOLTAGE		GROUND PIN	PROPERTY @T _{amb} : 25° ± 5° C	
	VALUE	PIN		LIGHT EMISSION	CURRENT
LED WHITE	11V±0.2V	5	4	WHITE	20mA+4mA
LED GREEN	11V±0.2V	1	4	GREEN	20mA+4mA
LED RED	11V±0.2V	2	4	RED	20mA+4mA

TEST ITEM	RESISTANCE MEASUREMENT		VALUE @T _{amb} : 25° ± 5° C
	TEST PINS		
TAC	10	8	1097Ω ± 20Ω
TDC+	6	8	1097Ω ± 20Ω
TDC-	9	8	1097Ω ± 20Ω
R5	11	7	4700Ω ± 14.0Ω
Proxi	Proxi	7	0Ω + 1Ω
CP	CP	12	0Ω + 1Ω

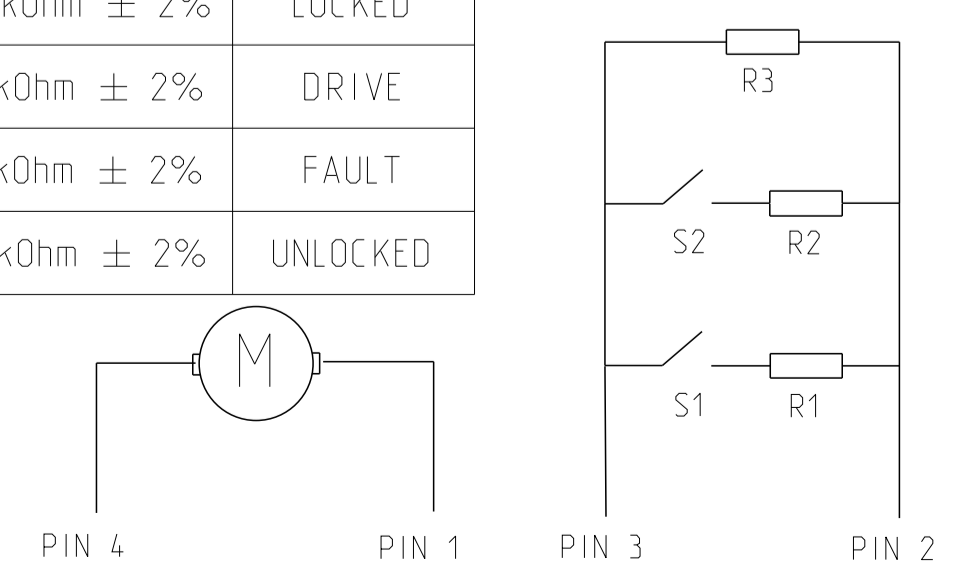
CIRCUIT DIAGRAM (FOR INFORMATION ONLY)



3-2293469-2 : 12V ACTUATOR
4-2293469-2 : 24V ACTUATOR
4 WIRE VARIANT:

PIN 3	PIN 2	SENSE RESISTANCE	FUNCTION
-	+	11,000 kOhm ± 2%	LOCKED
-	+	2,194 kOhm ± 2%	DRIVE
-	+	1,540 kOhm ± 2%	FAULT
-	+	0,989 kOhm ± 2%	UNLOCKED

PIN 1	PIN 4	FUNCTION
-	+	UNLOCKING
+	-	LOCKING



QTY	PN	DESCRIPTION	MATERIAL	SURFACE/COLOR	ITEM NO	
2	2	2399669-2	DC SINGLE SEAL COVER, 95 mm ²	PA66-GF30	ORANGE	19
1	1	963143-1	MQS BLIND PLUG	SILICON	WHITE	18
2	2	2399668-2	STRAIN RELIEF, 95 mm ²	PA66-GF30	BLACK	17
1	1	2415869-1	AC LARGE EXIT BACK COVER	PBT-GF30	BLACK	16
1	1	2390861-1	STRAIN RELIEF_PE, 25 mm ²	PBT-GF30	BLACK	15
2	2	2369841-3	STRAIN RELIEF AC	PBT-GF30	BLUE	14
1	-	2418662-1	GROMMET SEAL, 7 X 0.35/0.5 mm ² WIRE	LUBRICATED SILICONE	BROWN	13
-	1	2401251-1	GROMMET SEAL, 11 X 0.35/0.5 mm ² WIRE	LUBRICATED SILICONE	YELLOW	12
1	1	2418661-1	SINGLE WIRE SEAL PE, 25 mm ²	LUBRICATED SILICONE	BROWN	11
2	2	2369839-4	SINGLE WIRE AC SEAL	LUBRICATED SILICONE	CHERRY RED	10
2	2	2399667-2	RADIAL SEAL, 95 mm ²	LIQUID SILICONE RUBBER	GREEN	9
1	1	2390858-3	CABLE EXIT, LARGER AC	PA6-GF30	ORANGE	8
1	1	2338079-1	PERIPHERIAL SEAL COMBO	VMQ	SIGNAL BLUE	7
2	2	2402050-1	DIA 8MM,PIN TERMINAL ASSY	COPPER	SILVER/TIN	6
2	2	2338077-1	SEALING	VMQ	RED	5
1	1	2292534-1	PROTECTION CAP,WATER DRAIN	PA6-GF10+GB20	BLACK	4
1	1	2293267-5	PIN DIA 2.8, RIGID, POWER PE	BRASS	SILVER	3
2	2	2293266-9	PIN DIA 3.6, RIGID, POWER AC 16mm ² ASSY	COPPER	SILVER	2
1	-	2402048-3	COMBO 1, CHARGE INLET ASSY W/O LED, 12V ACTUATOR	-	-	1
-	1	2402048-1	COMBO 1, CHARGE INLET ASSY WITH LED, 12V ACTUATOR	-	-	1
2443721-2	2443721-1	ORDER PN	PART DESCRIPTION	MATERIAL	SURFACE/COLOR	ITEM NO
KIT ASSY W/O LED 12V ACTUATOR	KIT ASSY WITH LED 12V ACTUATOR					

THIS DRAWING IS A CONTROLLED DOCUMENT.

OWNER: AJITH JAMES, 11APR2023
 CHK: AMRUTHA RAO C H, 11APR2023
 APPV: KASHYAP P B, 11APR2023

DIMENSIONS: mm

TOLERANCES UNLESS OTHERWISE SPECIFIED:

0 PLC	±
1 PLC	±
2 PLC	±
3 PLC	±
4 PLC	±
ANGLES	±

MATERIAL: SEE TABLE

FINISH: -

WEIGHT: 114-94814

CUSTOMER DRAWING

NAME: CCS1-KIT ASSY_95SQMM-80A

SIZE: 108-94913

APPLICATION SPEC: 114-94814

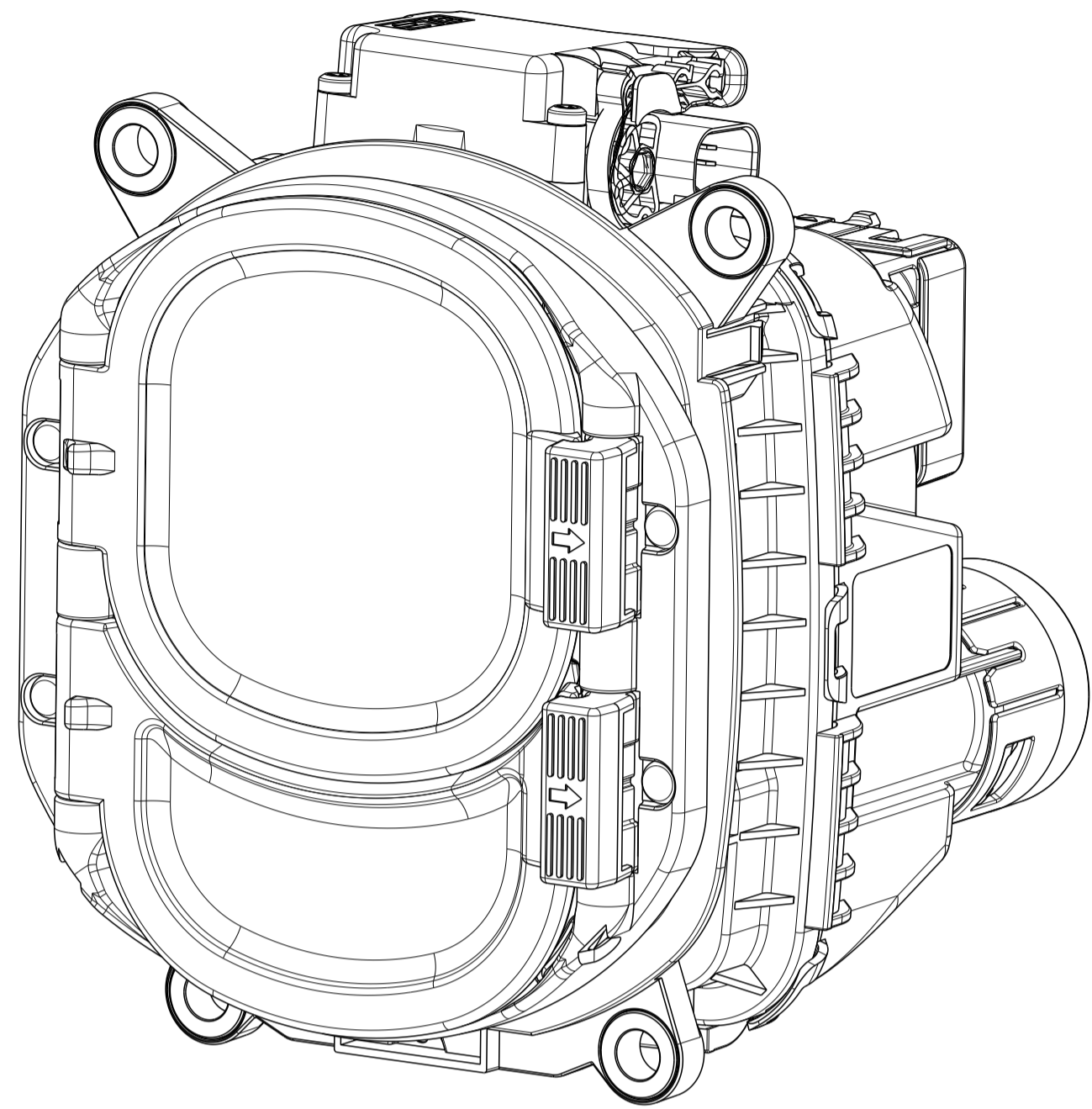
SCALE: 1:1

SHEET 1 OF 2

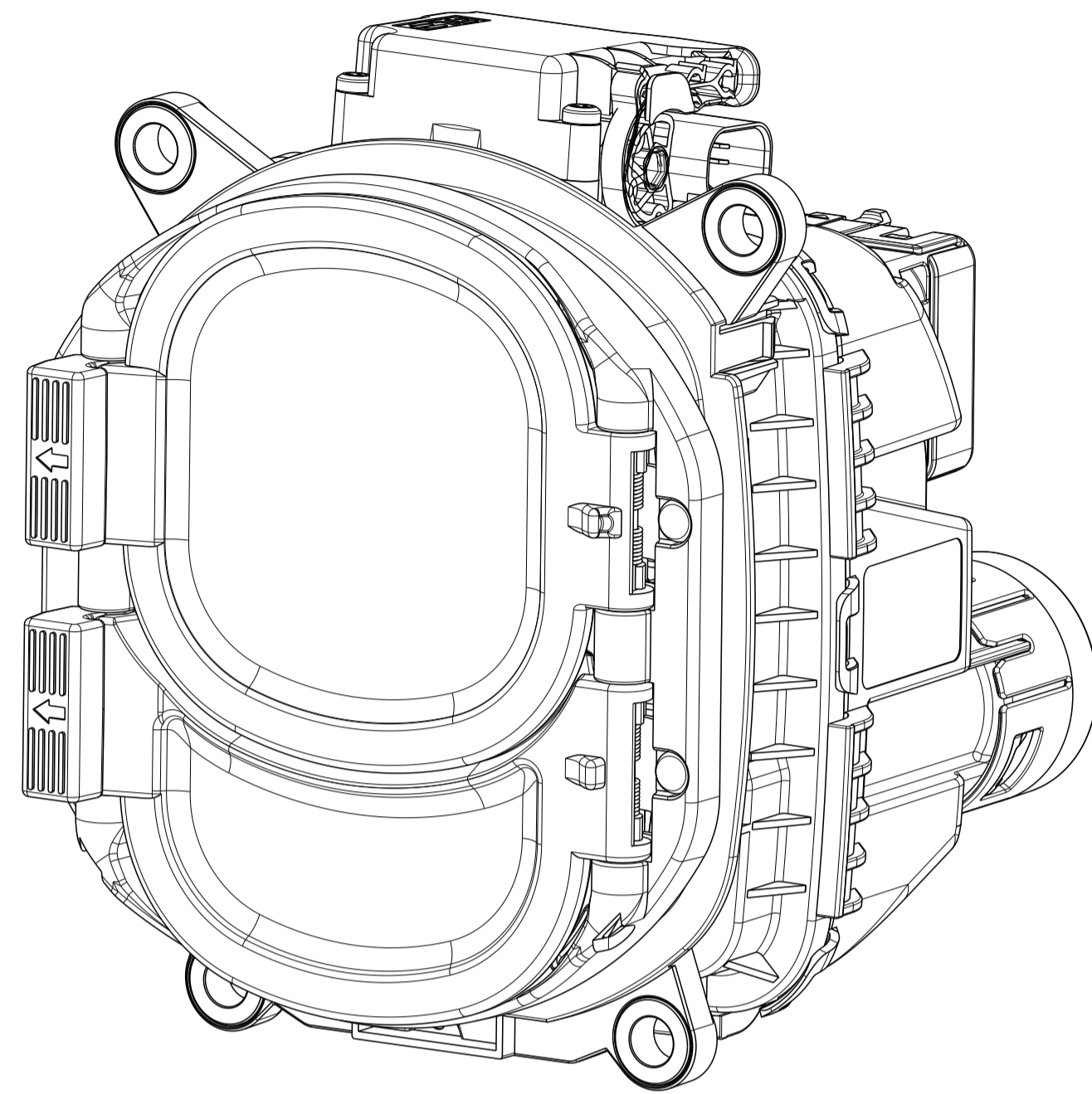
REV A

VARIANTS OVERVIEW

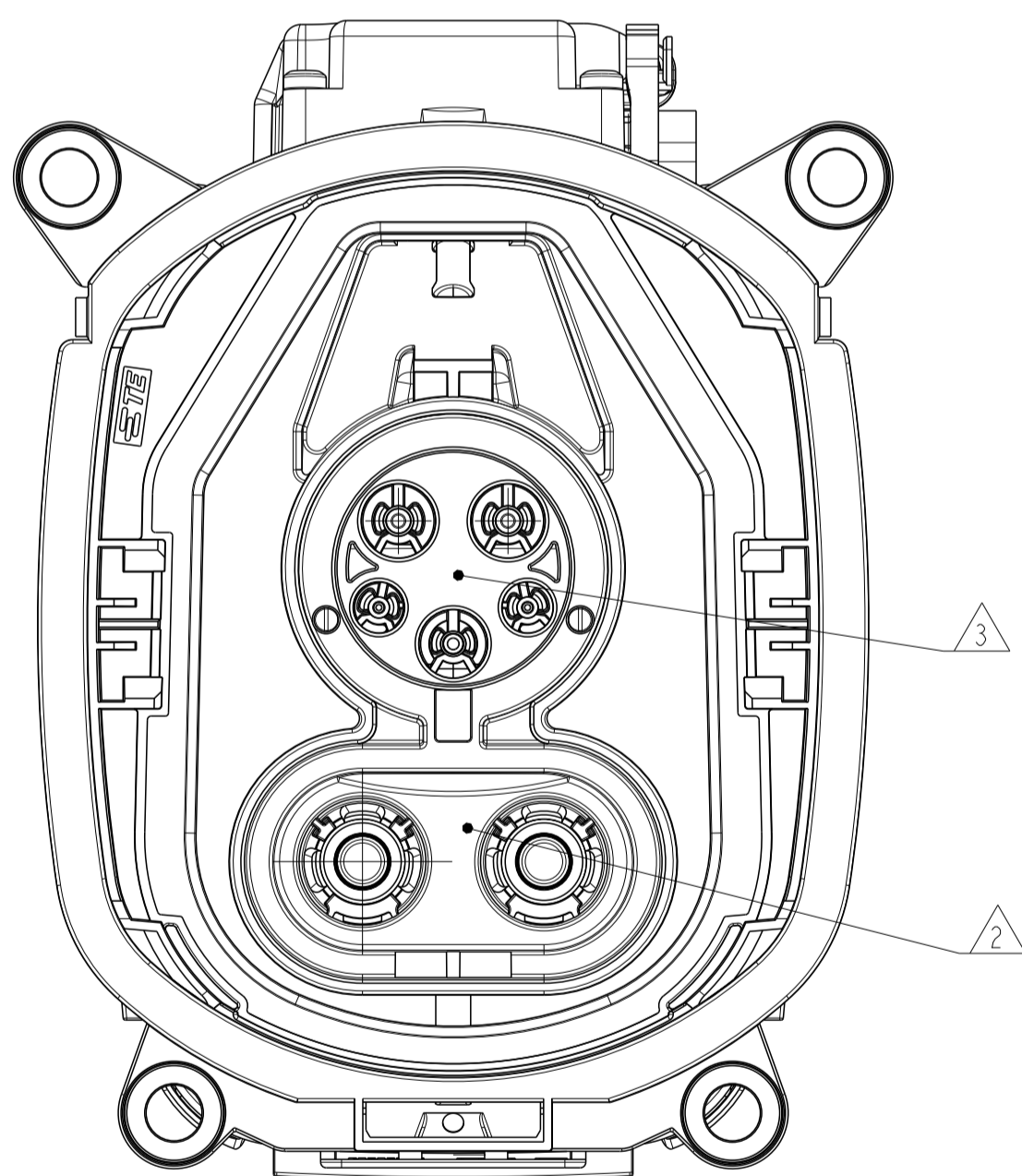
CHARGE INLET ASSEMBLY 180° DC & 180° AC
FLAP ASSEMBLY LEFT
SCALE 1:1



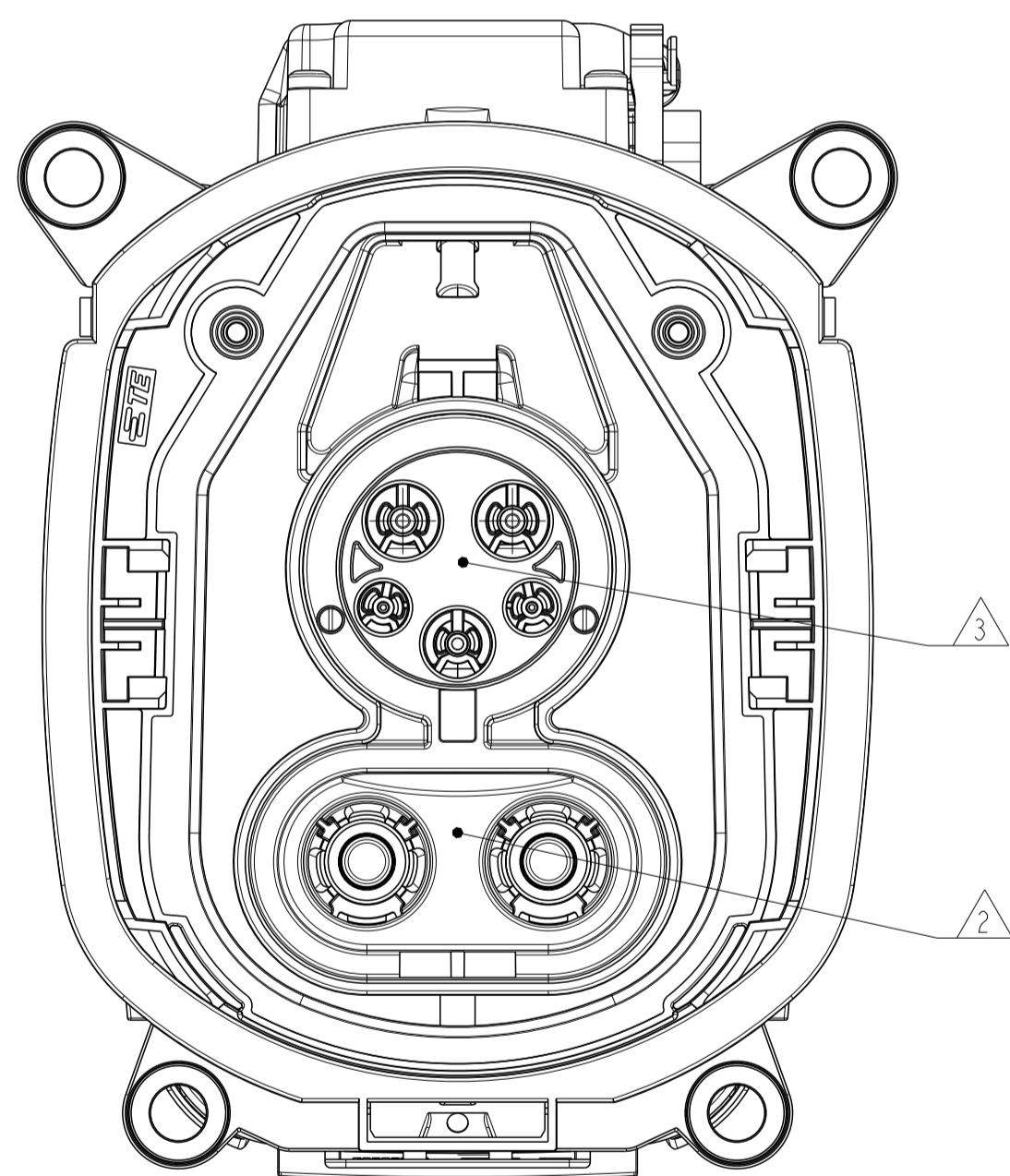
CHARGE INLET ASSEMBLY 180° DC & 180° AC
FLAP ASSEMBLY RIGHT
SCALE 1:1



WITHOUT FLAP ASSEMBLY- W/O LED
SCALE 1:1



WITHOUT FLAP ASSEMBLY-WITH LED
SCALE 1:1



REVISIONS					
P	LYN	DESCRIPTION	DATE	OWN	APVD
		SEE SHEET 1			

FLAP OPTIONS AVAILABLE

ITEM NO	DESCRIPTION	ORDER PN	QTY	IMAGE
20	FLAP ASSY WITH LED, LEFT	2358664-5	1	SECTION B-B SCALE 1:4
	FLAP ASSY WITH LED, RIGHT	2358664-7	1	SECTION B-B SCALE 1:4
21	FLAP ASSY WITHOUT LED, LEFT	2358664-1	1	SECTION B-B SCALE 1:4
	FLAP ASSY WITHOUT LED, RIGHT	2358664-3	1	SECTION B-B SCALE 1:4

2	2	2399669-2	DC SINGLE SEAL COVER, 95 mm ²	PA66-GF30	ORANGE	19
1	1	963143-1	MQS BLIND PLUG	SILICON	WHITE	18
2	2	2399668-2	STRAIN RELIEF, 95 mm ²	PA66-GF30	BLACK	17
1	1	2415869-1	AC LARGE EXIT BACK COVER	PBT-GF30	BLACK	16
1	1	2390861-1	STRAIN RELIEF_PE, 25 mm ²	PBT-GF30	BLACK	15
2	2	2369841-3	STRAIN RELIEF AC	PBT-GF30	BLUE	14
1	-	2418662-1	GROMMET SEAL, 7 X 0.35/0.5 mm ² WIRE	LUBRICATED SILICONE	BROWN	13
-	1	2401251-1	GROMMET SEAL, 11 X 0.35/0.5 mm ² WIRE	LUBRICATED SILICONE	YELLOW	12
1	1	2418661-1	SINGLE WIRE SEAL PE, 25 mm ²	LUBRICATED SILICONE	BROWN	11
2	2	2369839-4	SINGLE WIRE AC SEAL	LUBRICATED SILICONE	CHERRY RED	10
2	2	2399667-2	RADIAL SEAL, 95 mm ²	LIQUID SILICONE RUBBER	GREEN	9
1	1	2390858-3	CABLE EXIT, LARGER AC	PA6-GF30	ORANGE	8
1	1	2338079-1	PERIPHERAL SEAL COMBO	VMQ	SIGNAL BLUE	7
2	2	2402050-1	DIA 8MM,PIN TERMINAL ASSY	COPPER	SILVER/TIN	6
2	2	2338077-1	SEALING	VMQ	RED	5
1	1	2292534-1	PROTECTION CAP,WATER DRAIN	PA6-GF10+GB20	BLACK	4
1	1	2293267-5	PIN DIA 2.8, RIGID, POWER PE	BRASS	SILVER	3
2	2	2293266-9	PIN DIA 3.6, RIGID, POWER AC 16mm ² ASSY	COPPER	SILVER	2
1	-	2402048-4	COMBO 1, CHARGE INLET ASSY W/O LED, 24V ACTUATOR	-	-	1
-	1	2402048-2	COMBO 1, CHARGE INLET ASSY WITH LED 24V ACTUATOR	-	-	1
1-2443721-2	1-2443721-1					
KIT ASSY W/O LED 24V ACTUATOR	KIT ASSY WITH LED 24V ACTUATOR	ORDER PN	PART DESCRIPTION	MATERIAL	SURFACE/COLOR	ITEM NO

DIMENSION AND TOLERANCES ACCORDING TO:
Bemaßungen und Toleranzen gemäß:
DIN ISO 20457
DIN EN ISO 8015 (M) - DIN EN ISO 291
DIN EN ISO 14405-1/-2/-3

THIS DRAWING IS A CONTROLLED DOCUMENT.		OWN AJITH JAMES 11APR2023		TE Connectivity	
DIMENSIONS: mm		CHK AMRUTHA RAO C H 11APR2023		NAME CCS1-KIT ASSY_95SQMM-80A	
TOLERANCES UNLESS OTHERWISE SPECIFIED:		APVD KASHYAP P B 11APR2023	PRODUCT SPEC 108-94913		
		APPLICATION SPEC 114-94814	SIZE CAGE CODE DRAWING NO A 00779 C=2443721		
MATERIAL SEE TABLE		FINISH	WEIGHT CUSTOMER DRAWING		
			RESTRICTED TO SCALE 1:1 SHEET 2 OF 2 REV A		