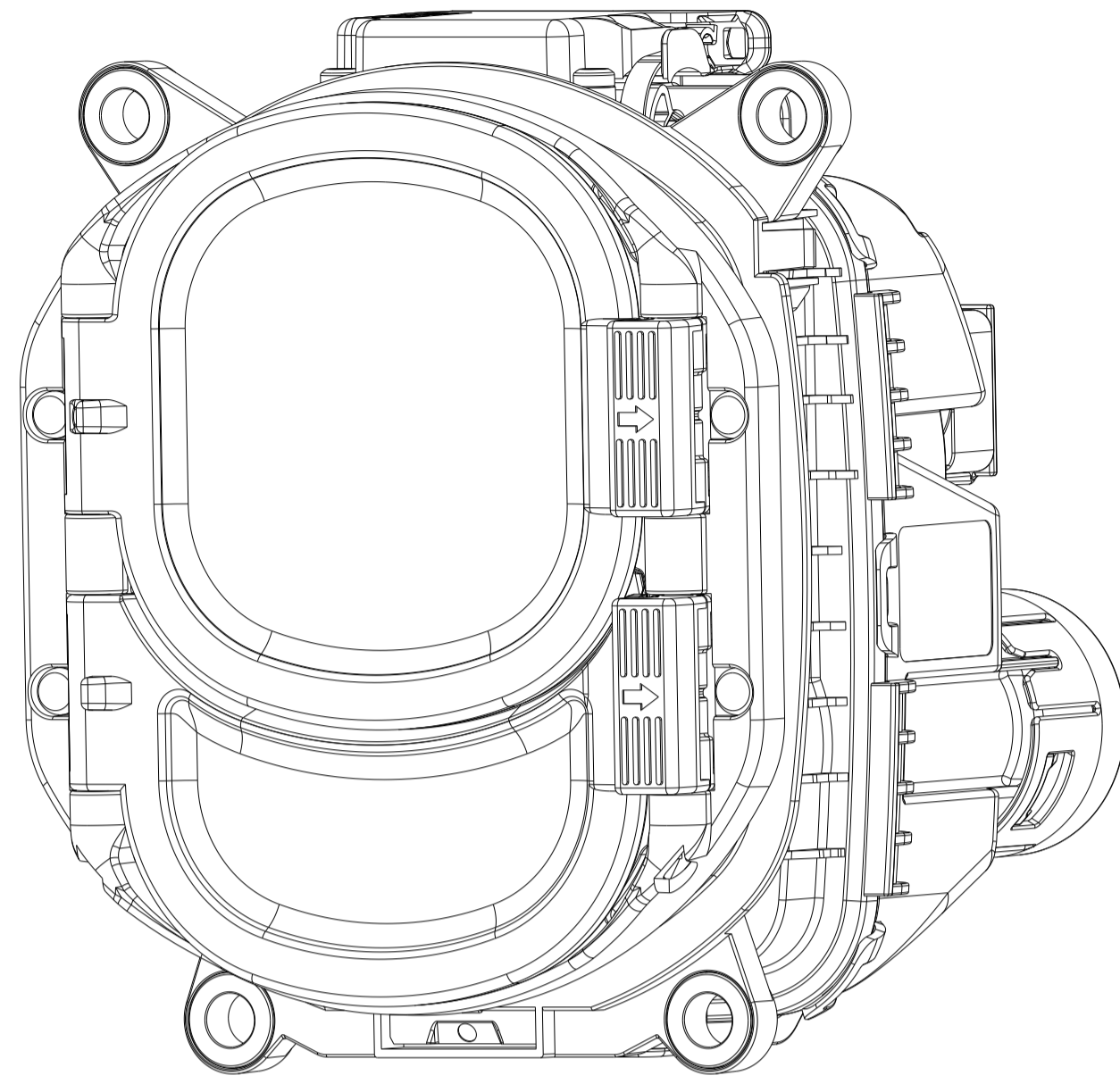
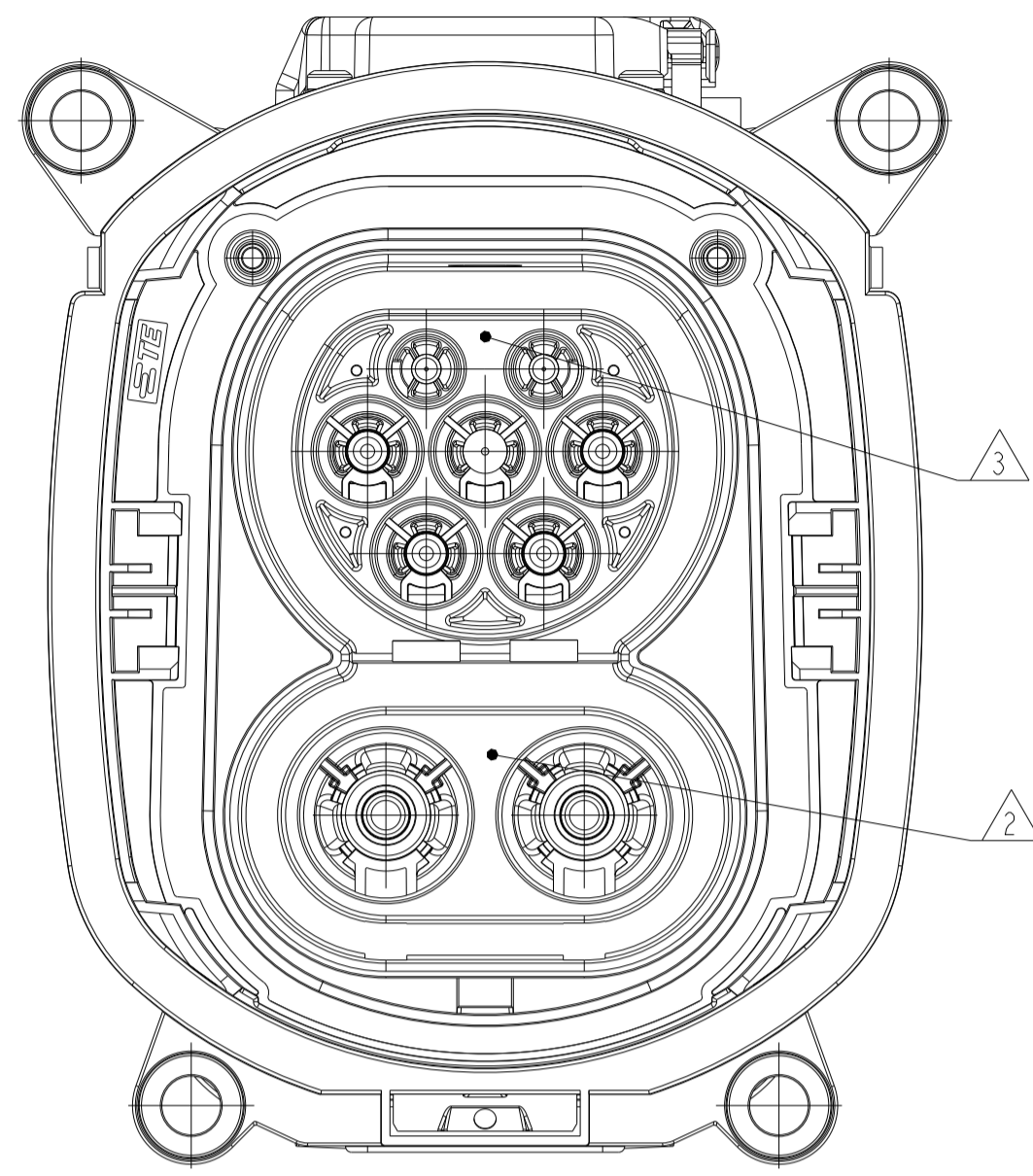


VARIANTS OVERVIEW

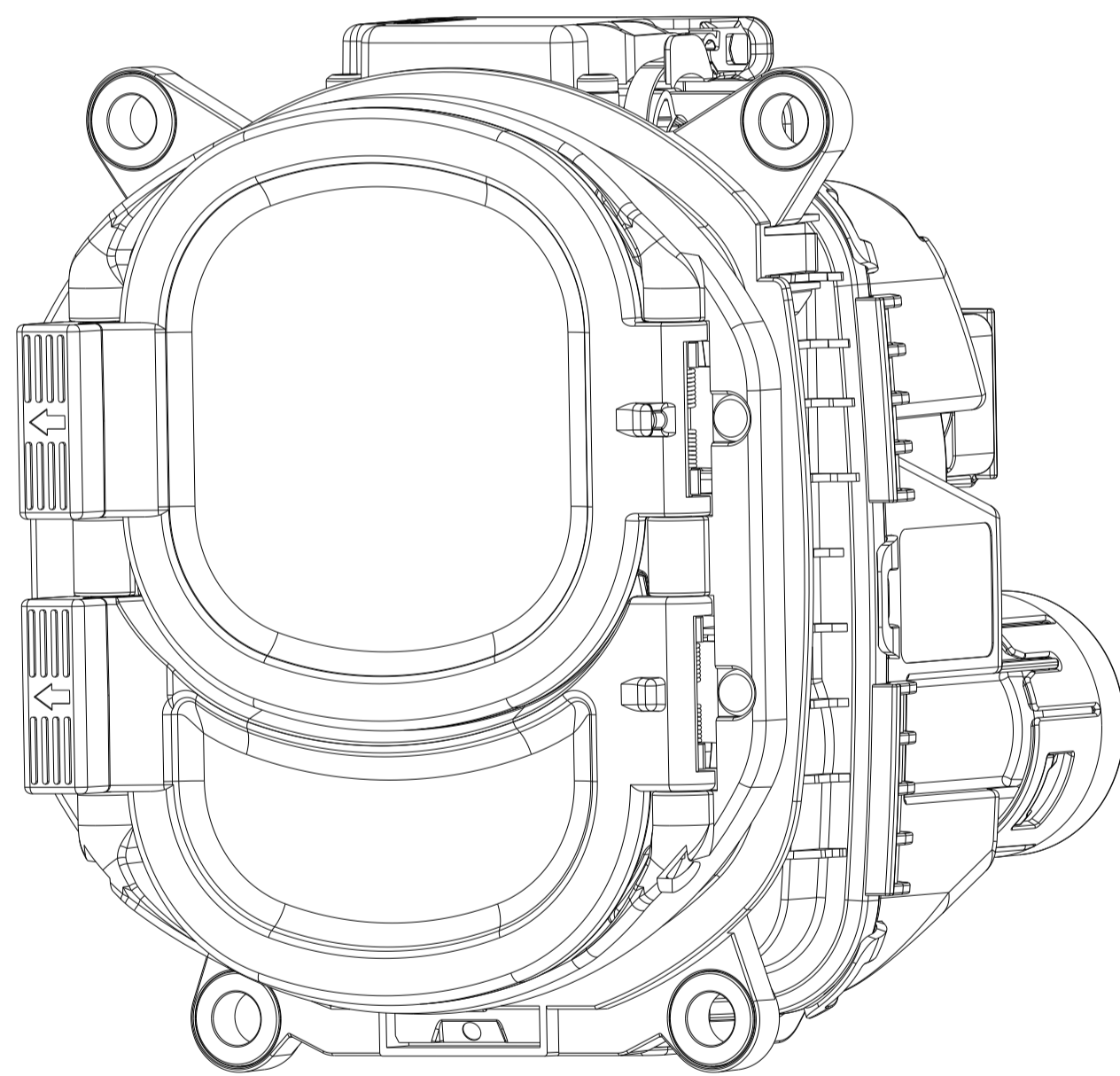
**CHARGE INLET ASSEMBLY 180° DC & 180° AC
FLAP ASSEMBLY LEFT**
SCALE 1:1



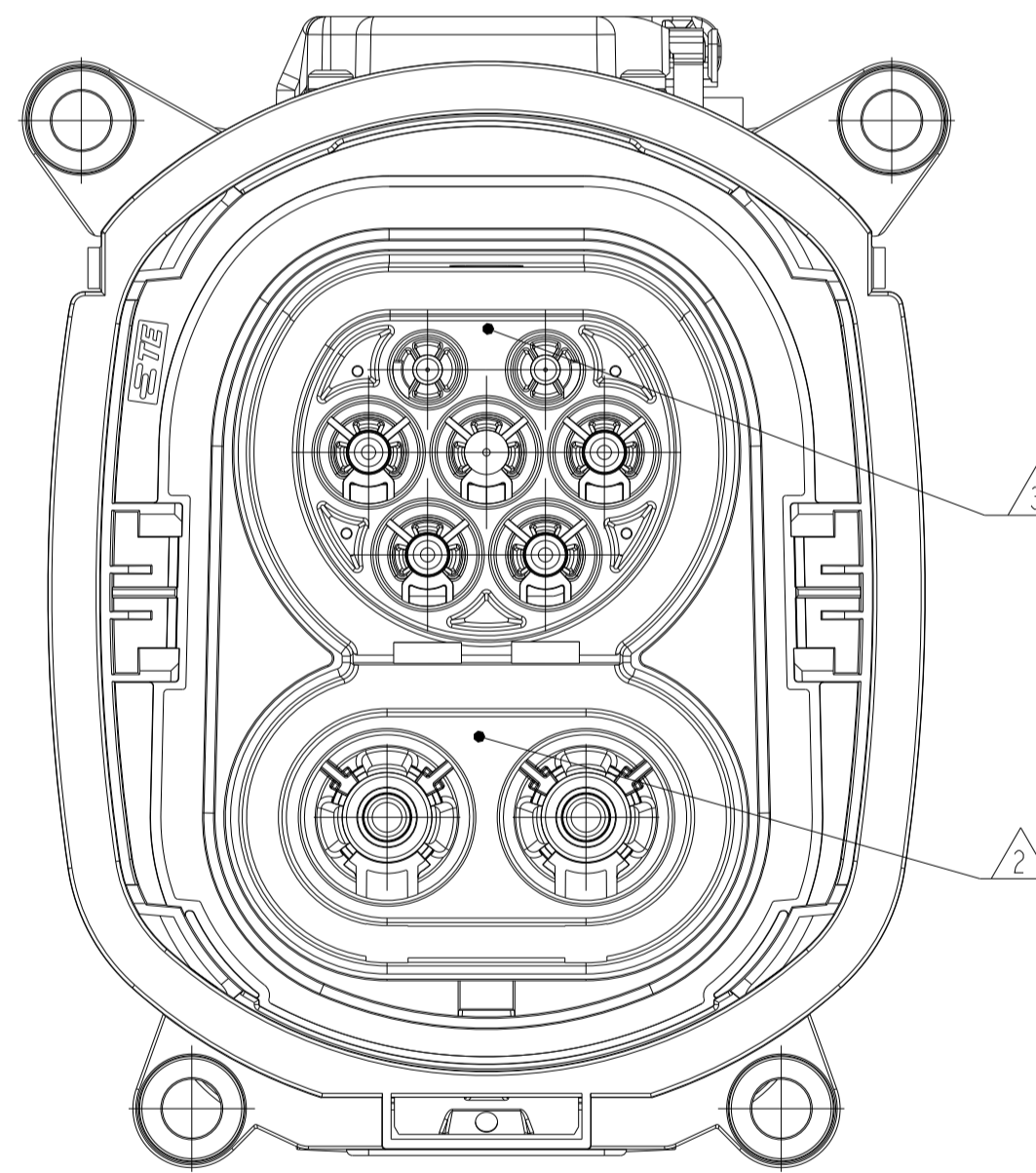
WITHOUT FLAP ASSEMBLY-WITH LED
SCALE 1:1



**CHARGE INLET ASSEMBLY 180° DC & 180° AC
FLAP ASSEMBLY RIGHT**
SCALE 1:1



WITHOUT FLAP ASSEMBLY-W/O LED
SCALE 1:1



REVISIONS				
P	LTN	DESCRIPTION	DATE	OWN
		SEE SHEET 1		

FLAP OPTIONS AVAILABLE				
ITEM NO	DESCRIPTION	ORDER PN	QTY	IMAGE
24	FLAP ASSY. LEFT WITH LED	2358664-6	1	SECTION B-B SCALE 1:4
	FLAP ASSY. RIGHT WITH LED	2358664-8	1	SECTION B-B SCALE 1:4
25	FLAP ASSY. LEFT W/O LED	2358664-2	1	SECTION B-B SCALE 1:4
	FLAP ASSY. RIGHT W/O LED	2358664-4	1	SECTION B-B SCALE 1:4

1	1	1	1	963143-1	MOS BLIND PLUG	SILICON	WHITE	23
2	2	2	2	2399669-2	CABLE COVER, 95 mm2	PA66-GF30	ORANGE	22
2	2	2	2	2399668-2	STRAIN RELIEF, 95 mm2	PA66-GF30	BLACK	21
2	2	2	2	2399667-2	RADIAL SEAL, 95 mm2	LIQUID SILICONE RUBBER	GREEN	20
1	1	1	1	2369840-3	CABLE COVER, PE, 25mm2	PBT-GF30 HR HFS	BLUE	19
-	-	-	-	2401256-1	CABLE COVER, AC	PBT-GF30 HR HFS	BLACK	18
1	1	1	1	2369838-1	LV WIRE COVER	PBT-GF30 HR HFS	BLACK	17
-	-	-	-	2401251-1	GROMMET SEAL, 11 WIRE	LIQUID SILICONE RUBBER	YELLOW	16
1	-	1	-	2418662-1	GROMMET SEAL, 7 WIRE	LIQUID SILICONE RUBBER	BROWN	15
1	1	1	1	2390861-1	STRAIN RELIEF, 25mm2	PBT-GF30 HR HFS	BLACK	14
-	-	-	-	2401254-1	STRAIN RELIEF AC	PBT-GF30 HR HFS	BLACK	13
1	1	1	1	2418661-1	SINGLE WIRE PE SEAL, 25mm2	LIQUID SILICONE RUBBER	LIGHT BLUE	12
-	-	-	-	2401253-1	SINGLE WIRE AC SEAL	LIQUID SILICONE RUBBER	GREY	11
-	-	-	-	2390858-2	CABLE EXIT, WITH AC	PA6-GF30	ORANGE	10
1	1	-	-	2390858-1	CABLE EXIT, WITHOUT AC	PA6-GF30	ORANGE	9
2	2	2	2	2390840-2	DIA 8MM, PIN TERMINAL ASSY	COPPER	SILVER/TIN	8
2	2	2	2	2338077-1	SEALING	VMQ	RED	7
1	1	1	1	2292534-1	PROTECTION CAP, WATER DRAIN	PA6-GF10+GB20	BLACK	6
1	1	1	1	2293270-5	PIN DIA 6.0, RIGID, POWER PE	BRASS	SILVER	5
4	4	-	-	2389290-2	CHARGE INLET HSG, CAVITY PLUG	PA6-GF30	BLACK	4
-	-	4	4	2293269-3	PIN CONTACT, DIA 6, ASSY	COPPER	SILVER	3
1	1	1	1	2338079-1	PERIPHERAL SEAL COMBO	VMQ	SIGNAL BLUE	2
-	1	-	1	2401362-4	COMBO 2, CHARGE INLET ASSY WITH LED 24V ACTUATOR	-	-	1
1	-	1	-	2401362-3	COMBO 2, CHARGE INLET ASSY W/O LED 24V ACTUATOR	-	-	1
1-2443730-4	1-2443730-3	1-2443730-2	1-2443730-1	ORDER PN	PART DESCRIPTION	MATERIAL	SURFACE/COLOR	ITEM NO
KIT ASSY W/O AC & W/O LED, 24V ACTUATOR	KIT ASSY W/O AC & WITH LED, 24V ACTUATOR	KIT ASSY WITH AC & W/O LED, 24V ACTUATOR	KIT ASSY WITH AC & WITH LED, 24V ACTUATOR					

DIMENSION AND TOLERANCES ACCORDING TO:
Bemaßungen und Toleranzen gemäß:
DIN ISO 20457
DIN EN ISO 8015 (M) - DIN EN ISO 291
DIN EN ISO 14405-1/-2/-3

THIS DRAWING IS A CONTROLLED DOCUMENT.

OWN: AJITH JAMES 20APR2023
CHK: AMRUTHA ROA C H 21APR2023
APVD: KASHYAP P B 21APR2023

TE Connectivity

NAME: CCS2-KIT ASSY_95SQMM-32A

SIZE: 108-94907
APPLICATION SPEC: 114-94810

WEIGHT: -
CAGE CODE: 00779
DRAWING NO: 2443730

CUSTOMER DRAWING

SCALE: 1:1 SHEET 2 OF 2 REV A