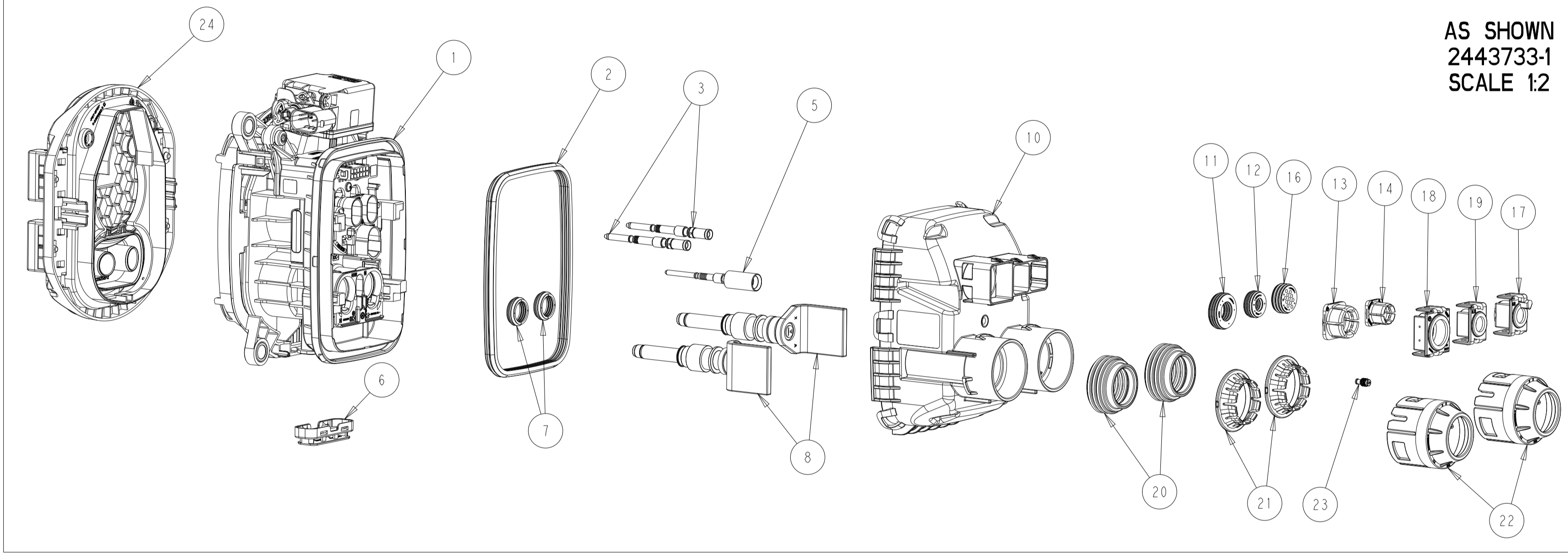
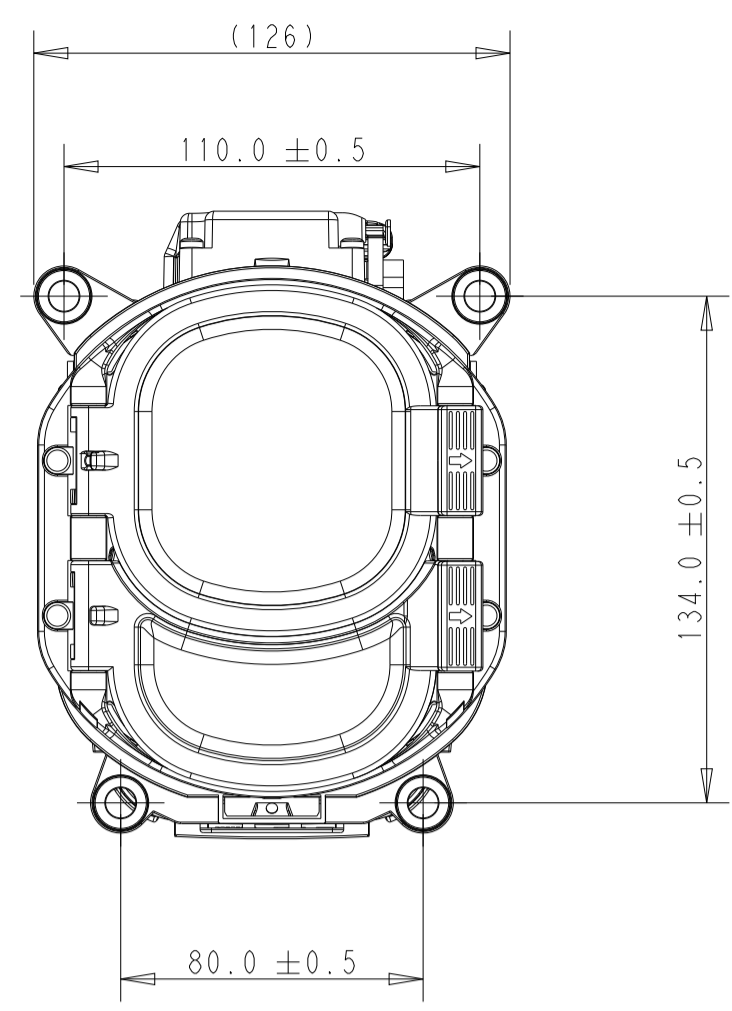


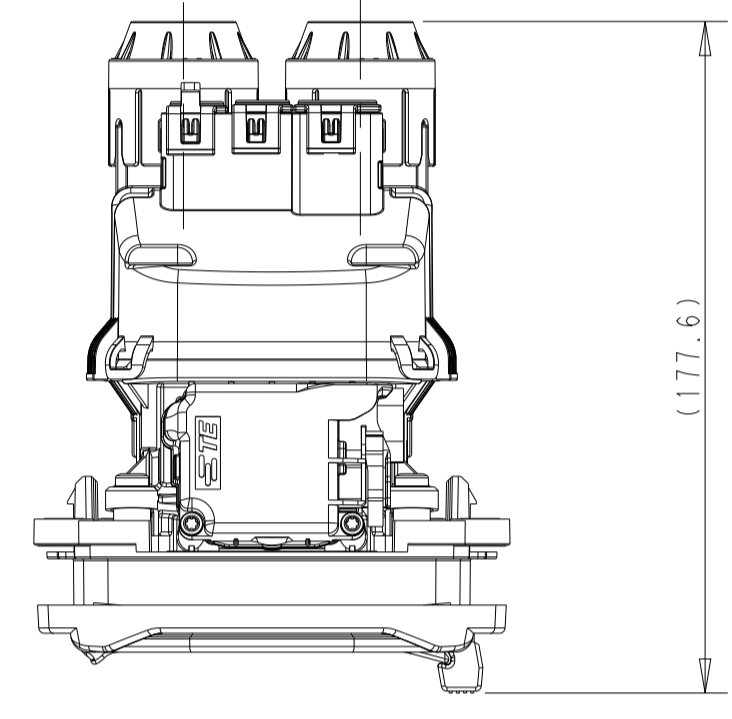
AS SHOWN
2443733-4
SCALE 1:2



AS SHOWN
2443733-1
SCALE 1:2



AS SHOWN
SCALE 1:2



REVISIONS				
P	LTN	DESCRIPTION	DATE	OWN APVD
A		INITIAL RELEASE	10AUG2023	AJ KBP

NOTES

- 1 PACKED INTERLAYERED IN PLASTIC BAG IN CORRUGATED SHIPPING BOX
- 2 CHARGE INLET SIMILAR TO IEC62196-3, CCS 1, SHEET 3-111a
- 3 CHARGE INLET SIMILAR TO IEC62196-2,TYPE 1, SHEET 2-1
- 4 ADAPTIVE CABLES SEE APPLICATION SPECIFICATION 114-94758
- 5 COMPATIBLE PCB CONNECTOR: PN 1-794617-2 WITH TERMINAL PN 0-794606-1
- 6 FUNCTIONAL AND ELECTRICAL REQUIREMENTS OF ACTUATOR SEE SPECIFICATION 108-94519
- 7 COMPATIBLE CONNECTOR FOR ACTUATOR: 1-967640-1
- 8 APPLICABLE SCREWS FOR MOUNTING, HEAD DIAMETER MIN. 10.5mm, TORQUE 6Nm±0.9Nm FOR M6 SCREWS
- 9 DELIVERY CONDITION: SEC. LOCKS IN PRELOCK POSITION
- 10 DELIVERY CONDITION ACTUATOR: ACTUATOR IN BASE POSITION
- 11 MAKE SURE THAT NO MECHANICAL FORCES ARE APPLIED ON THE HEADER OF PCBA
- 12 MAX VOLTAGE RATING 250 VAC
MAX CURRENT RATING 32 A
- 13 MAX VOLTAGE RATING 1000 VDC
MAX CURRENT RATING 500 A
- 14 ALL COMPONENTS OF THE PARTS LIST ARE DELIVERED IN SEPARATE SUBPACKAGES

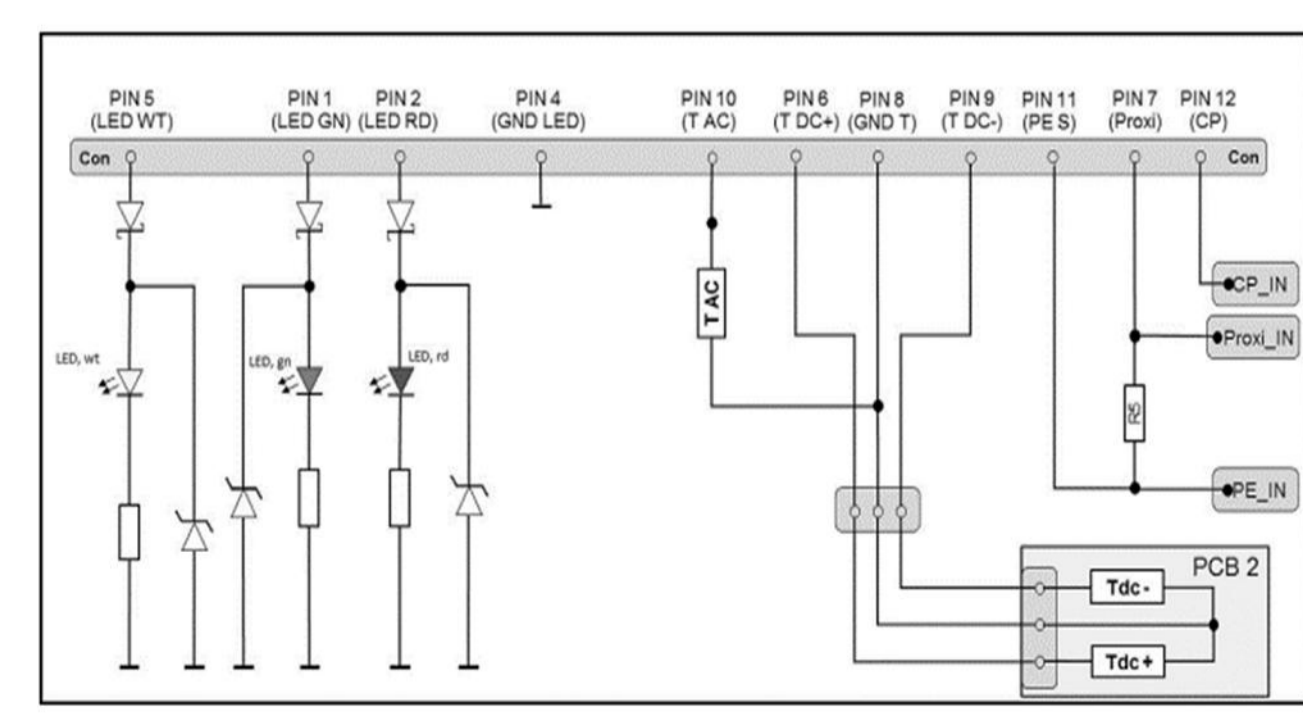
PINNING PCB

PIN NO.	COMBO 1
1	LED gn
2	LED rd
3	-
4	GND LED
5	LED wt
6	T DC+
7	Proxi
8	GND, Temp
9	T DC-
10	T AC
11	PE S
12	CP

TEST ITEM	TEST VOLTAGE		GROUND PIN	PROPERTY *T _{amb} : 25° ± 5° C	
	VALUE	PIN		LIGHT EMISSION	CURRENT
LED WHITE	11V±0.2V	5	4	WHITE	20mA+4mA
LED GREEN	11V±0.2V	1	4	GREEN	20mA+4mA
LED RED	11V±0.2V	2	4	RED	20mA+4mA

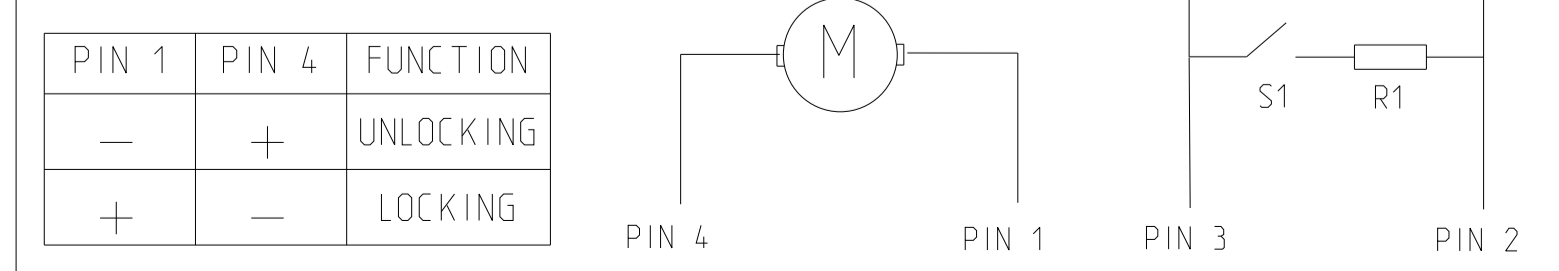
TEST ITEM	RESISTANCE MEASUREMENT		VALUE *T _{amb} : 25° ± 5° C
	TEST PINS		
TAC	10	8	1097Ω ± 20Ω
TDC+	6	8	1097Ω ± 20Ω
TDC-	9	8	1097Ω ± 20Ω
R5	11	7	4700Ω ± 140Ω
Proxi	Proxi	7	0Ω+1Ω
CP	CP	12	0Ω+1Ω

CIRCUIT DIAGRAM (FOR INFORMATION ONLY)



3-2293469-2 : 12V ACTUATOR
4-2293469-2 : 24V ACTUATOR
4 WIRE VARIANT:

PIN 3	PIN 2	SENSE RESISTANCE	FUNCTION
-	-	11,000 kOhm ± 2%	LOCKED
-	+	2,194 kOhm ± 2%	DRIVE
-	-	1,540 kOhm ± 2%	FAULT
-	-	0,989 kOhm ± 2%	UNLOCKED



ITEM NO	QTY	DESCRIPTION	MATERIAL	SURFACE/COLOR	ITEM NO
1	1	MQS BLIND PLUG	SILICON	WHITE	23
2	2	CABLE COVER, 120 mm2	PA66-GF30	ORANGE	22
2	2	STRAIN RELIEF, 120 mm2	PA66-GF30	BLACK	21
2	2	RADIAL SEAL, 120 mm2	LIQUID SILICONE RUBBER	GREEN	20
1	1	CABLE COVER, PE, 25mm2	PBT-GF30 HR HFS	BLUE	19
-	-	CABLE COVER, AC	PBT-GF30 HR HFS	BLACK	18
1	1	LV WIRE COVER	PBT-GF30 HR HFS	BLACK	17
-	-	GROMMET SEAL, 11 WIRE	LIQUID SILICONE RUBBER	YELLOW	16
1	-	GROMMET SEAL, 7 WIRE	LIQUID SILICONE RUBBER	BROWN	15
1	1	STRAIN RELIEF PE, 25mm2	PBT-GF30 HR HFS	BLACK	14
-	-	STRAIN RELIEF AC	PBT-GF30 HR HFS	BLACK	13
1	1	SINGLE WIRE PE SEAL, 25mm2	LIQUID SILICONE RUBBER	LIGHT BLUE	12
-	-	SINGLE WIRE AC SEAL	LIQUID SILICONE RUBBER	GREY	11
-	-	CABLE EXIT, WITH AC	PA6-GF30	ORANGE	10
1	1	CABLE EXIT, WITHOUT AC	PA6-GF30	ORANGE	9
2	2	DIA 8MM,PIN TERMINAL ASSY	COPPER	SILVER/TIN	8
2	2	SEALING	VMQ	RED	7
1	1	PROTECTION CAP,WATER DRAIN	PA6-GF10-GB20	BLACK	6
1	1	PIN DIA 6.0, RIGID, POWER PE	BRASS	SILVER	5
2	2	CHARGE INLET HSG, CAVITY PLUG	PA6-GF30	BLACK	4
-	-	PIN CONTACT, DIA 3.6, ASSY	COPPER	SILVER	3
1	1	PERIPHERIAL SEAL COMBO	VMQ	SIGNAL BLUE	2
1	-	COMBO 1, CHARGE INLET ASSY W/O LED, 12V ACTUATOR	-	-	1
-	-	COMBO 1, CHARGE INLET ASSY WITH LED, 12V ACTUATOR	-	-	1

THIS DRAWING IS A CONTROLLED DOCUMENT.

APPROVED: AJLITH JAMES, 23APR2023
CHK: AMRUTHA RAO C H, 23APR2023
APVD: KASHYAP P B, 23APR2023

DIMENSIONS: mm

TOLERANCES UNLESS OTHERWISE SPECIFIED:

0 PLC	±
1 PLC	±0.1
2 PLC	±0.05
3 PLC	±0.02
4 PCC	±0.001
ANGLES	±
FINISH	±

MATERIAL: SEE TABLE

DIMENSION AND TOLERANCES ACCORDING TO: Bemaßungen und Toleranzen gemäß: DIN ISO 20457, DIN EN ISO 8015 (A) - DIN EN ISO 291, DIN EN ISO 14405-1/-2/-3

TE Connectivity

NAME: CCS1-KIT ASSY_120SQMM-32A

SIZE: A | CAGE CODE: 00779 | DRAWING NO: 2443733 | SHEET 1 OF 2

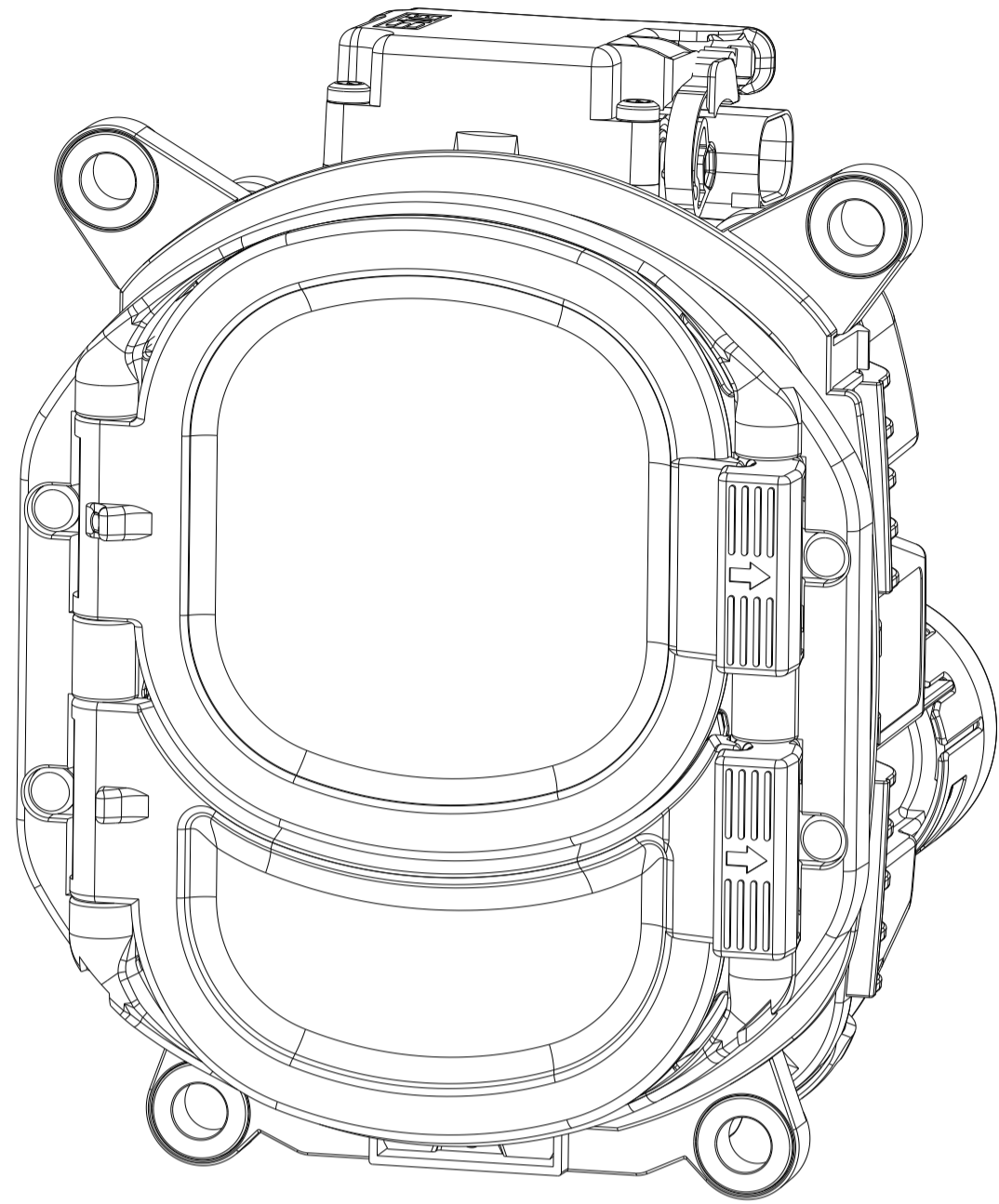
RESTRICTED TO: A

CUSTOMER DRAWING

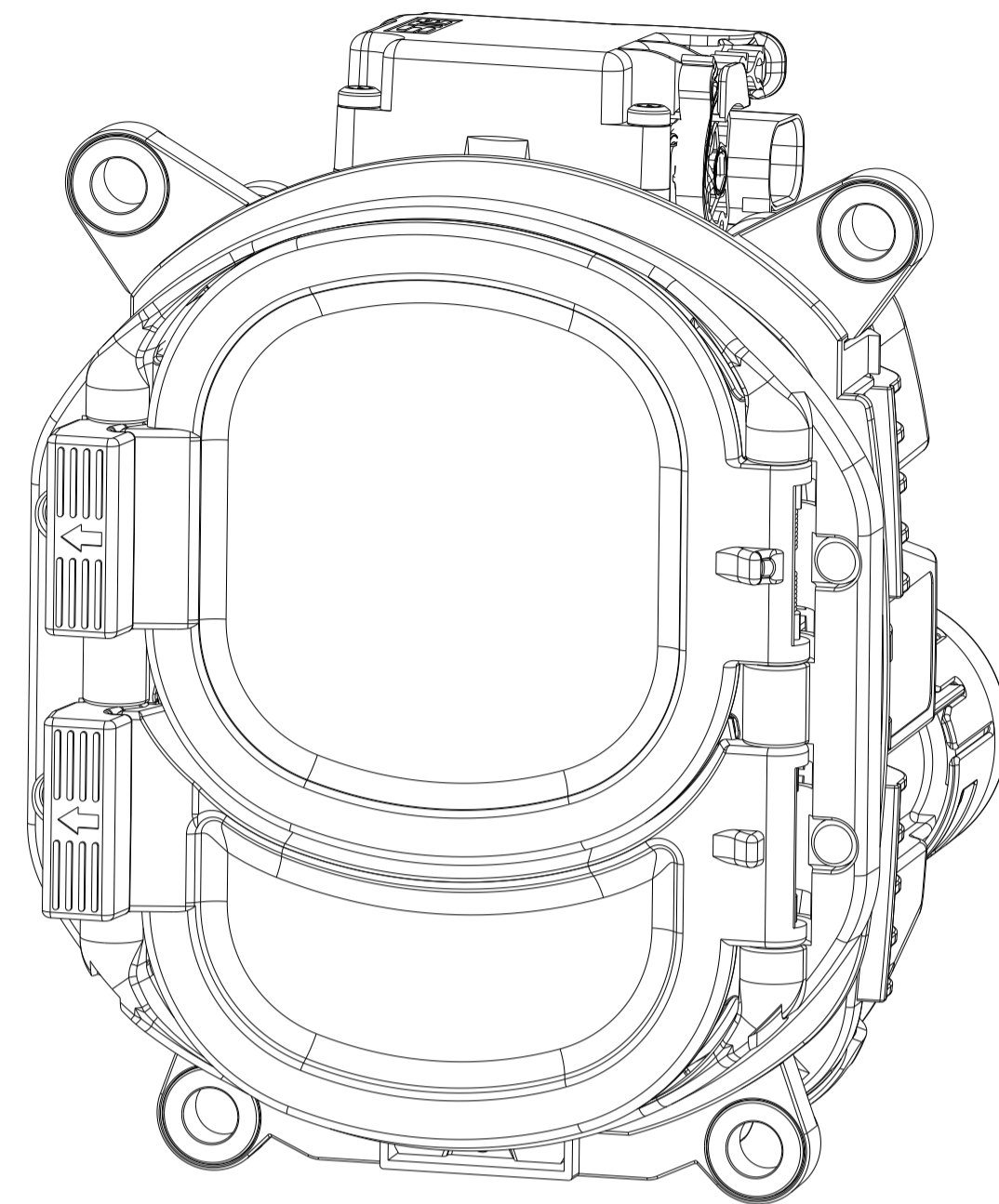
SCALE: 1:1

VARIANTS OVERVIEW

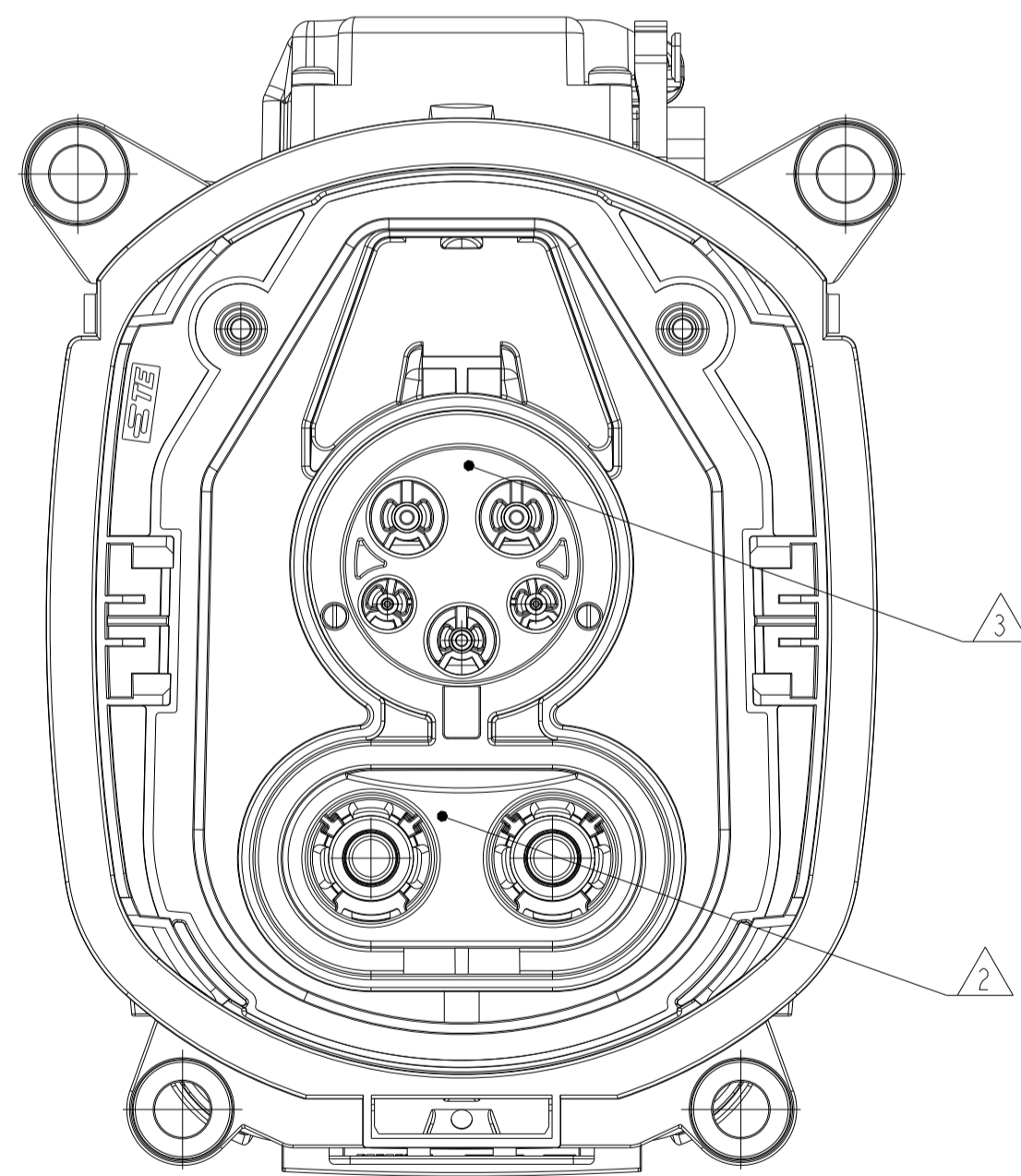
**CHARGE INLET ASSEMBLY 180° DC & 180° AC
FLAP ASSEMBLY LEFT**
SCALE 1:1



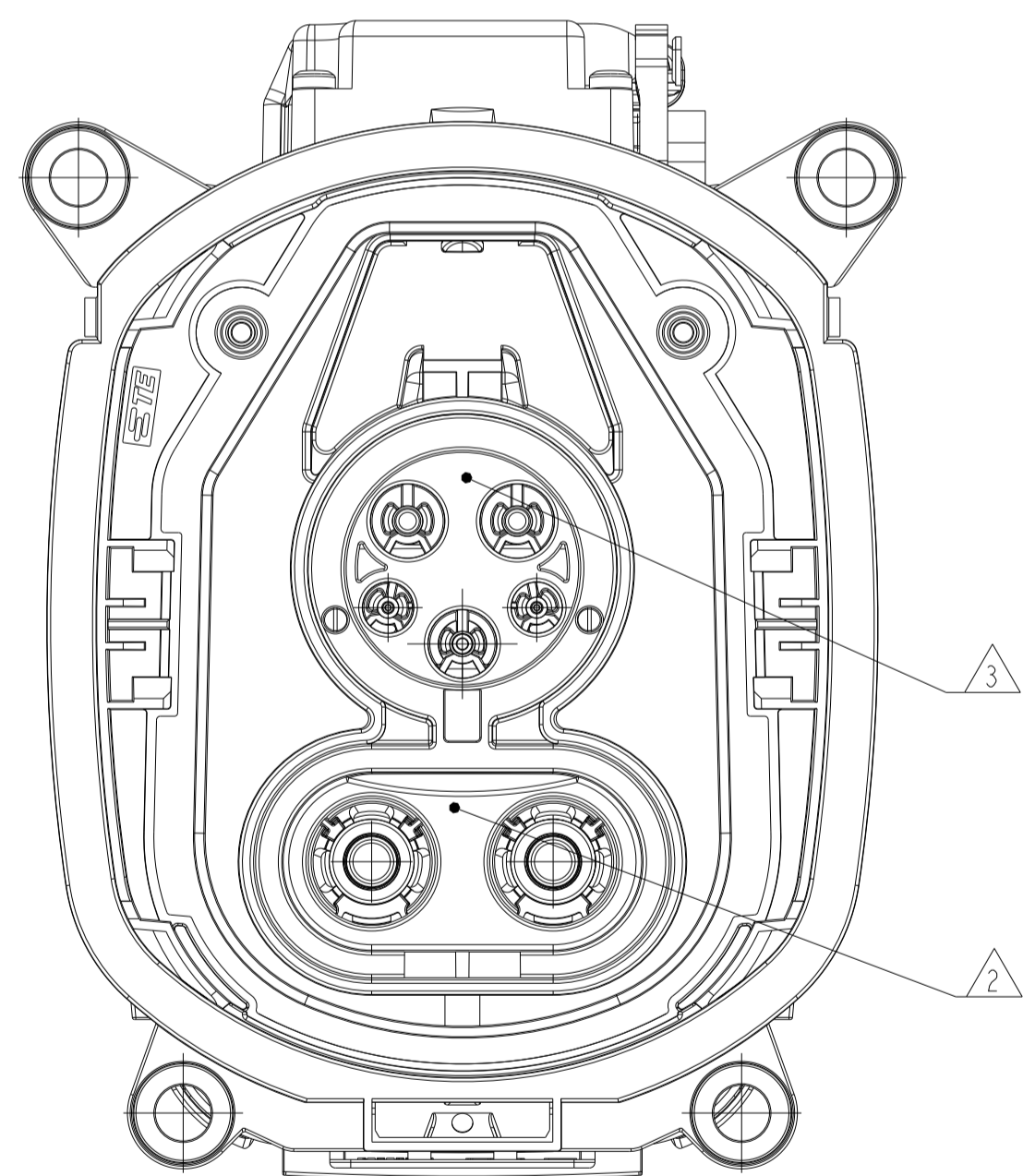
**CHARGE INLET ASSEMBLY 180° DC & 180° AC
FLAP ASSEMBLY RIGHT**
SCALE 1:1



WITHOUT FLAP ASSEMBLY-WITH LED
SCALE 1:1



WITHOUT FLAP ASSEMBLY-W/O LED
SCALE 1:1



REVISIONS				
P	LTN	DESCRIPTION	DATE	APPD
		SEE SHEET 1		

FLAP OPTIONS AVAILABLE				
ITEM NO	DESCRIPTION	ORDER PN	QTY	IMAGE
24	FLAP ASSY. LEFT WITH LED	2358664-5	1	SECTION B-B SCALE 1:4
	FLAP ASSY. RIGHT WITH LED	2358664-7	1	SECTION B-B SCALE 1:4
25	FLAP ASSY. LEFT W/O LED	2358664-1	1	SECTION B-B SCALE 1:4
	FLAP ASSY. RIGHT W/O LED	2358664-3	1	SECTION B-B SCALE 1:4

1	1	1	1	963143-1	MQS BLIND PLUG	SILICON	WHITE	23
2	2	2	2	2399669-3	CABLE COVER, 120 mm2	PA66-GF30	ORANGE	22
2	2	2	2	2399668-3	STRAIN RELIEF, 120 mm2	PA66-GF30	BLACK	21
2	2	2	2	2399667-3	RADIAL SEAL, 120 mm2	LIQUID SILICONE RUBBER	GREEN	20
1	1	1	1	2369840-3	CABLE COVER, PE, 25mm2	PBT-GF30 HR HFS	BLUE	19
-	-	1	1	2401256-1	CABLE COVER, AC	PBT-GF30 HR HFS	BLACK	18
1	1	1	1	2369838-1	LV WIRE COVER	PBT-GF30 HR HFS	BLACK	17
-	1	-	1	2401251-1	GROMMET SEAL, 11 WIRE	LIQUID SILICONE RUBBER	YELLOW	16
1	-	1	-	2418662-1	GROMMET SEAL, 7 WIRE	LIQUID SILICONE RUBBER	BROWN	15
1	1	1	1	2390861-1	STRAIN RELIEF PE, 25mm2	PBT-GF30 HR HFS	BLACK	14
-	-	1	1	2401254-2	STRAIN RELIEF AC	PBT-GF30 HR HFS	BLACK	13
1	1	1	1	2418661-1	SINGLE WIRE PE SEAL, 25mm2	LIQUID SILICONE RUBBER	LIGHT BLUE	12
-	-	1	1	2402051-1	SINGLE WIRE AC SEAL	LIQUID SILICONE RUBBER	GREY	11
-	-	1	1	2390858-2	CABLE EXIT, WITH AC	PA6-GF30	ORANGE	10
1	1	-	-	2390858-1	CABLE EXIT, WITHOUT AC	PA6-GF30	ORANGE	9
2	2	2	2	2402050-1	DIA 8MM.PIN TERMINAL ASSY	COPPER	SILVER/TIN	8
2	2	2	2	2338077-1	SEALING	VMQ	RED	7
1	1	1	1	2292534-1	PROTECTION CAP.WATER DRAIN	PA6-GF10-GB20	BLACK	6
1	1	1	1	2293267-5	PIN DIA 6.0. RIGID, POWER PE	BRASS	SILVER	5
2	2	-	-	2389290-1	CHARGE INLET HSG, CAVITY PLUG	PA6-GF30	BLACK	4
-	-	2	2	2-2293266-3	PIN CONTACT, DIA 3.6. ASSY	COPPER	SILVER	3
1	1	1	1	2338079-1	PERIPHERIAL SEAL COMBO	VMQ	SIGNAL BLUE	2
1	-	1	-	2402048-4	COMBO 1. CHARGE INLET ASSY W/O LED, 24V ACTUATOR	-	-	1
-	1	-	1	2402048-2	COMBO 1. CHARGE INLET ASSY WITH LED, 24V ACTUATOR	-	-	
1-2443733-4	1-2443733-3	1-2443733-2	1-2443733-1	ORDER PN	PART DESCRIPTION	MATERIAL	SURFACE/COLOR	ITEM NO
KIT ASSY W/O AC & W/O LED, 24V ACTUATOR	KIT ASSY W/O AC & WITH LED, 24V ACTUATOR	KIT ASSY WITH AC & W/O LED, 24V ACTUATOR	KIT ASSY WITH AC & WITH LED, 24V ACTUATOR					

DIMENSION AND TOLERANCES ACCORDING TO:
Bemaßungen und Toleranzen gemäß:
DIN ISO 20457
DIN EN ISO 8015 (A) - DIN EN ISO 291
DIN EN ISO 14405-1/-2/-3

THIS DRAWING IS A CONTROLLED DOCUMENT.

APPROVED: **ASHYAP P B** 23APR2023

CHK: **AMRUTHA RAO C H** 23APR2023

DRN: **AJITH JAMES** 23APR2023

NAME: **CCS1-KIT ASSY_120SOMM-32A**

SIZE: **A1** CAGE CODE: **00779** DRAWING NO: **2443733** RESTRICTED TO: **A**

SCALE: 1:1 SHEET 2 OF 2 REV A

CUSTOMER DRAWING