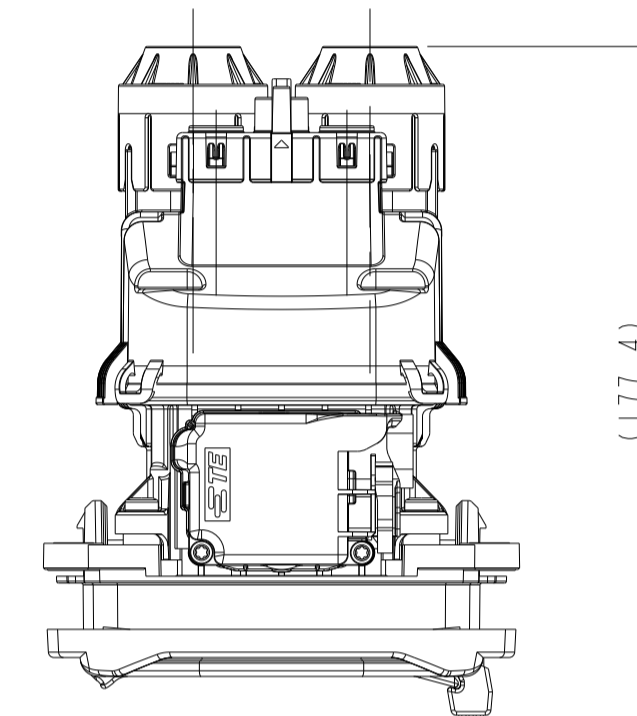
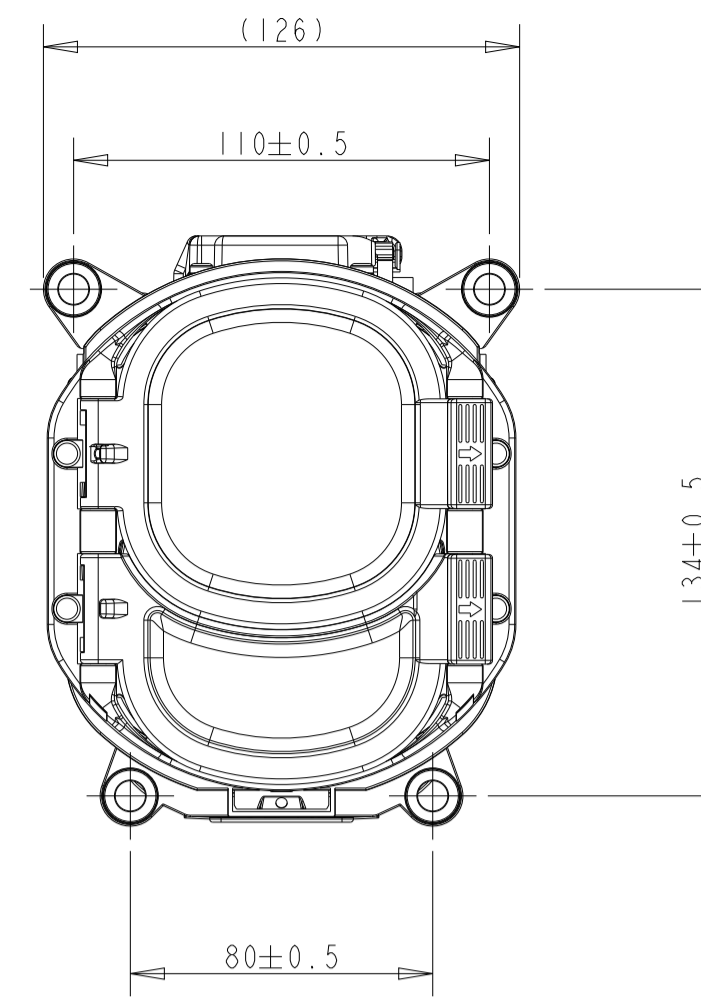
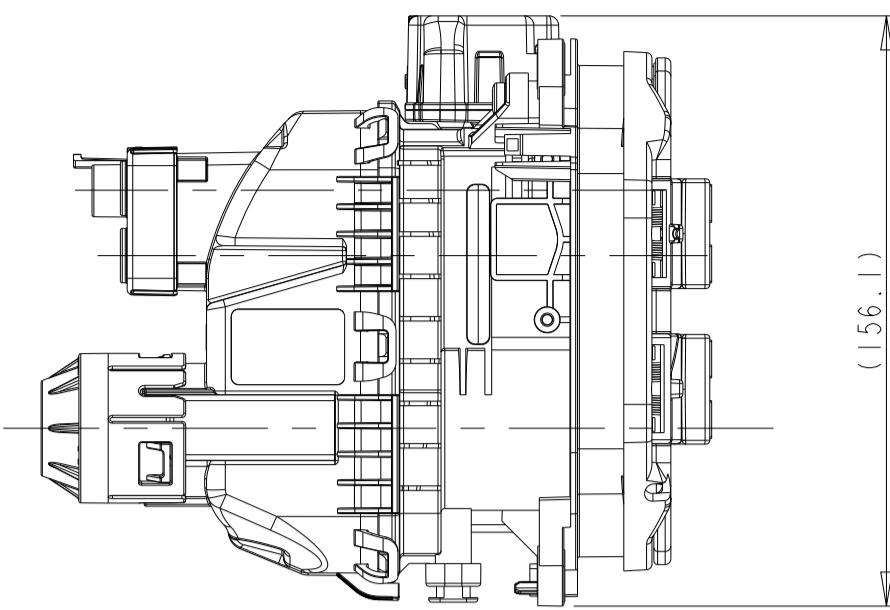


AS SHOWN
SCALE 1:2

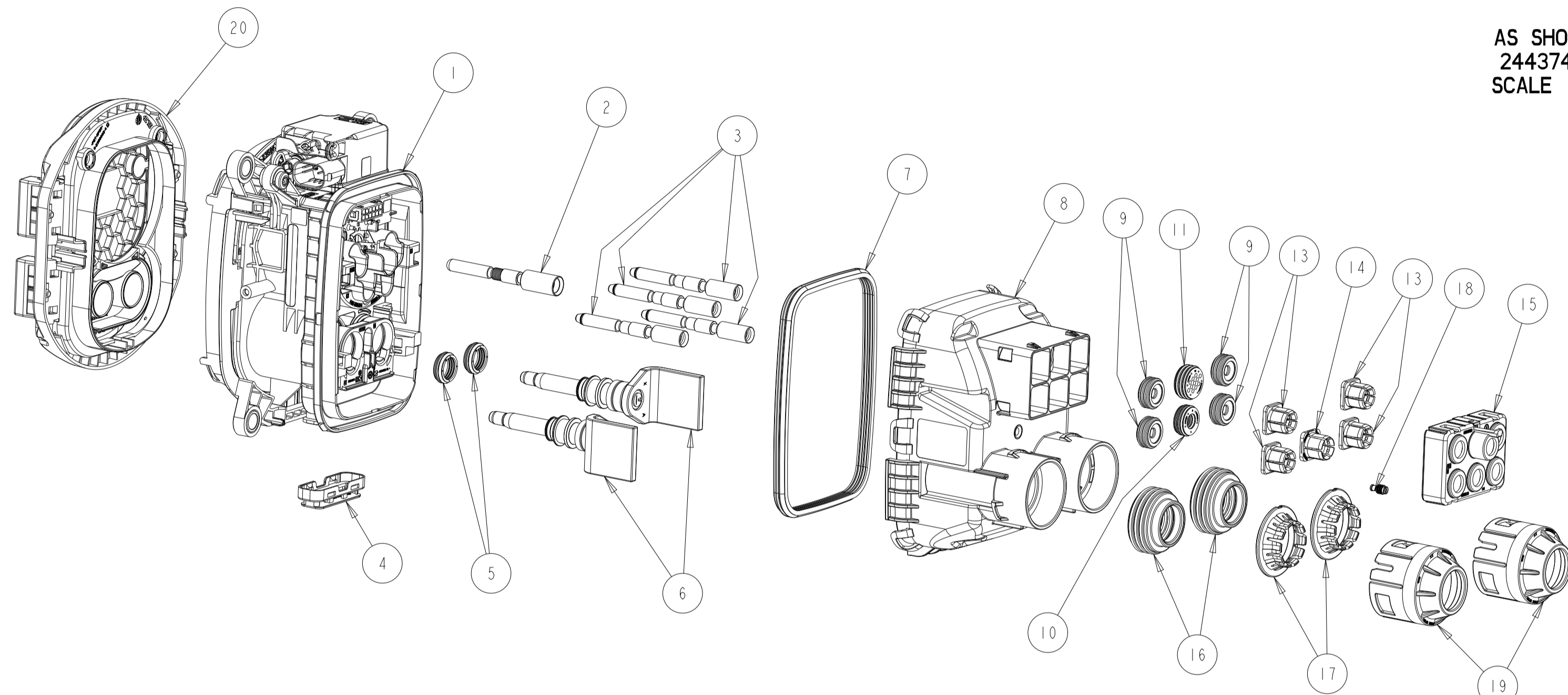


REVISIONS					
P	LTN	DESCRIPTION	DATE	OWN	APVD
A		INITIAL RELEASE	21AUG2023	AJ	KBP

NOTES

- PACKED INTERLAYERED IN PLASTIC BAG IN CORRUGATED SHIPPING BOX
- CHARGE INLET SIMILAR TO IEC62196-3.CCS 2. SHEET 3-1Va
- CHARGE INLET SIMILAR TO IEC62196-2.TYPE 11. SHEET 2-11f
- ADAPTIVE CABLES SEE APPLICATION SPECIFICATION 114-94815
- COMPATIBLE PCB CONNECTOR: PN 1-794617-2 WITH TERMINAL PN 0-794606-1
- FUNCTIONAL AND ELECTRICAL REQUIREMENTS OF ACTUATOR SEE SPECIFICATION 108-94519
- COMPATIBLE CONNECTOR FOR ACTUATOR: 1-967640-1
- APPLICABLE SCREWS FOR MOUNTING. HEAD DIAMETER MIN. 10.5mm. TORQUE 6Nm±0.9Nm FOR M6 SCREWS
- DELIVERY CONDITION: SEC LOCK IN PRELOCK CONDITION
- DELIVERY CONDITION ACTUATOR: ACTUATOR IN BASE POSITION
- MAKE SURE THAT NO MECHANICAL FORCES ARE APPLIED ON THE HEADER OF PCBA
- MAXIMUM VOLTAGE RATING 480 VAC
MAXIMUM CURRENT RATING 63 A
- MAXIMUM VOLTAGE RATING 1000 VDC
MAXIMUM CURRENT RATING 500 A
- ALL COMPONENTS OF THE PARTS LISTED ARE DELIVERED IN SEPARATE SUB PACKAGES

AS SHOWN
2443741-1
SCALE 1:2



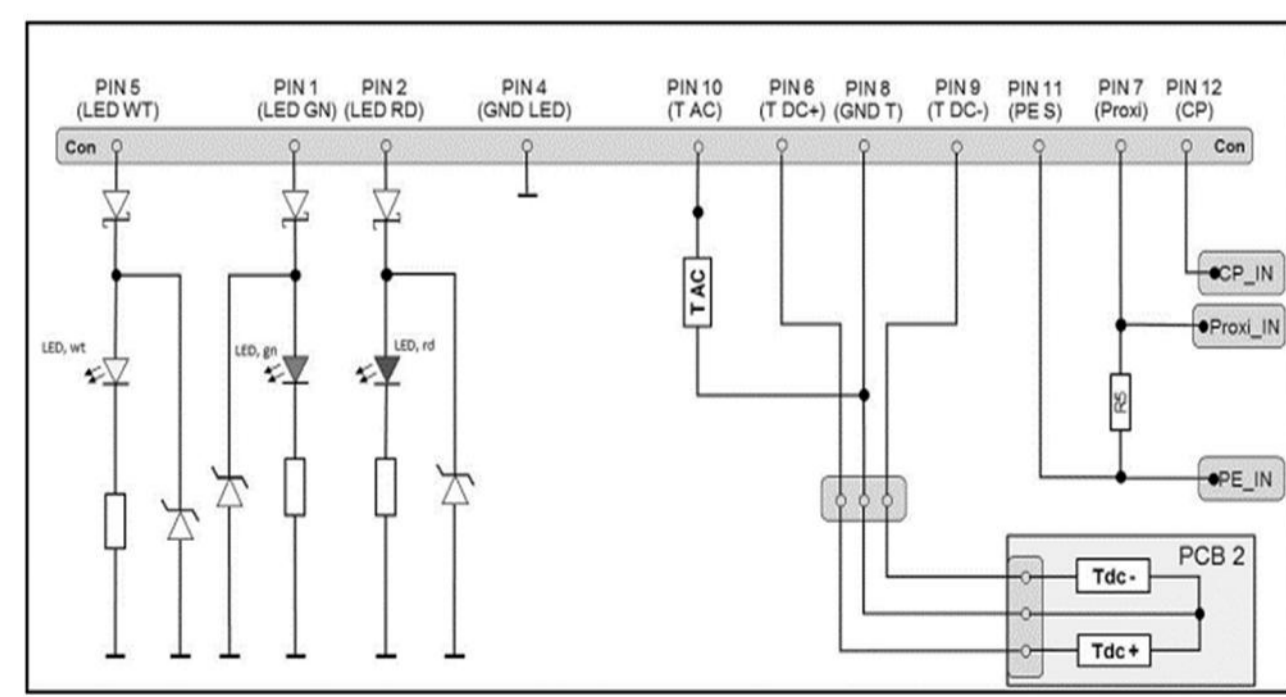
PINNING PCB

PIN NO.	COMBO 1
1	LED gn
2	LED rd
3	-
4	GND LED
5	LED wf
6	T DC+
7	Proxi
8	GND. Temp
9	T DC-
10	T AC
11	PE S
12	CP

TEST ITEM	TEST VOLTAGE		GROUND PIN	PROPERTY @T _{amb} : 25° ±5° C	
	VALUE	PIN		LIGHT EMISSION	CURRENT
LED WHITE	11V±0.2V	5	4	WHITE	20mA+4mA
LED GREEN	11V±0.2V	1	4	GREEN	20mA+4mA
LED RED	11V±0.2V	2	4	RED	20mA+4mA

TEST ITEM	RESISTANCE MEASUREMENT		VALUE @T _{amb} : 25° ±5° C
	TEST PINS		
TAC	10	8	1097Ω ±20Ω
TDC+	6	8	1097Ω ±20Ω
TDC-	9	8	1097Ω ±20Ω
R5	11	7	4700Ω ±140Ω
Proxi	Proxi	7	0Ω+1Ω
CP	CP	12	0Ω+1Ω

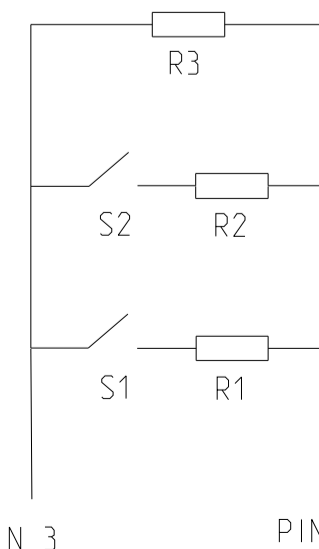
CIRCUIT DIAGRAM (FOR INFORMATION ONLY)



3-2293469-2 : 12V ACTUATOR
4-2293469-2 : 24V ACTUATOR
4 WIRE VARIANT:

PIN 3	PIN 2	SENSE RESISTANCE	FUNCTION
-	+	11.000 kOhm ± 2%	LOCKED
-	+	2.194 kOhm ± 2%	DRIVE
-	+	1.540 kOhm ± 2%	FAULT
-	+	0.989 kOhm ± 2%	UNLOCKED

PIN 1	PIN 4	FUNCTION
-	+	UNLOCKING
+	-	LOCKING



QTY	ORDER PN	PART DESCRIPTION	MATERIAL	SURFACE/COLOR	ITEM NO
2	2	DC SINGLE SEAL COVER, 95 mm ²	PA66-GF30	ORANGE	19
1	1	MOS BLIND PLUG	SILICON	WHITE	18
2	2	STRAIN RELIEF, 95 mm ²	PA66-GF30	BLACK	17
2	2	RADIAL SEAL, 95 mm ²	LIQUID SILICONE RUBBER	GREEN	16
1	1	AC LARGE EXIT BACK COVER	PBT-GF30	BLACK	15
1	1	STRAIN RELIEF_PE, 25 mm ²	PBT-GF30	BLACK	14
4	4	STRAIN RELIEF AC	PBT-GF30	BLUE	13
1	-	GROMMET SEAL, 7 X 0.35/0.5 mm ² WIRE	LUBRICATED SILICONE	BROWN	12
-	1	GROMMET SEAL, 11 X 0.35/0.5 mm ² WIRE	LUBRICATED SILICONE	YELLOW	11
1	1	SINGLE WIRE SEAL PE, 25 mm ²	LUBRICATED SILICONE	BROWN	10
4	4	SINGLE WIRE AC SEAL	LUBRICATED SILICONE	CHERRY RED	9
1	1	CABLE EXIT,LARGER AC	PA6-GF30	ORANGE	8
1	1	PERIPHERIAL SEAL COMBO	VMQ	SIGNAL BLUE	7
2	2	DIA 8MM,PIN TERMINAL ASSY	COPPER	SILVER/TIN	6
2	2	SEALING	VMQ	RED	5
1	1	PROTECTION CAP,WATER DRAIN	PA6-GF10+GB20	BLACK	4
4	4	PIN DIA 6.0, RIGID, POWER AC 16mm ² ASSY	COPPER	SILVER	3
1	1	PIN DIA 6.0, RIGID, POWER PE	BRASS	SILVER	2
1	-	COMBO 2, CHARGE INLET ASSY W/O LED 12V ACTUATOR	-	-	1
-	1	COMBO 2, CHARGE INLET ASSY WITH LED 12V ACTUATOR	-	-	1

2443741-2	2443741-1
COMBO2, CHARGE INLET KIT ASSY, LARGER AC, W/O LED, 12V ACTUATOR	COMBO2, CHARGE INLET KIT ASSY, LARGER AC, WITH LED, 12V ACTUATOR

DIMENSION AND TOLERANCES ACCORDING TO:

DIN 16742
DIN EN ISO 8015 (A1) - DIN EN ISO 291
DIN EN ISO 14405-1/-2/-3

THIS DRAWING IS A CONTROLLED DOCUMENT.

TE Connectivity

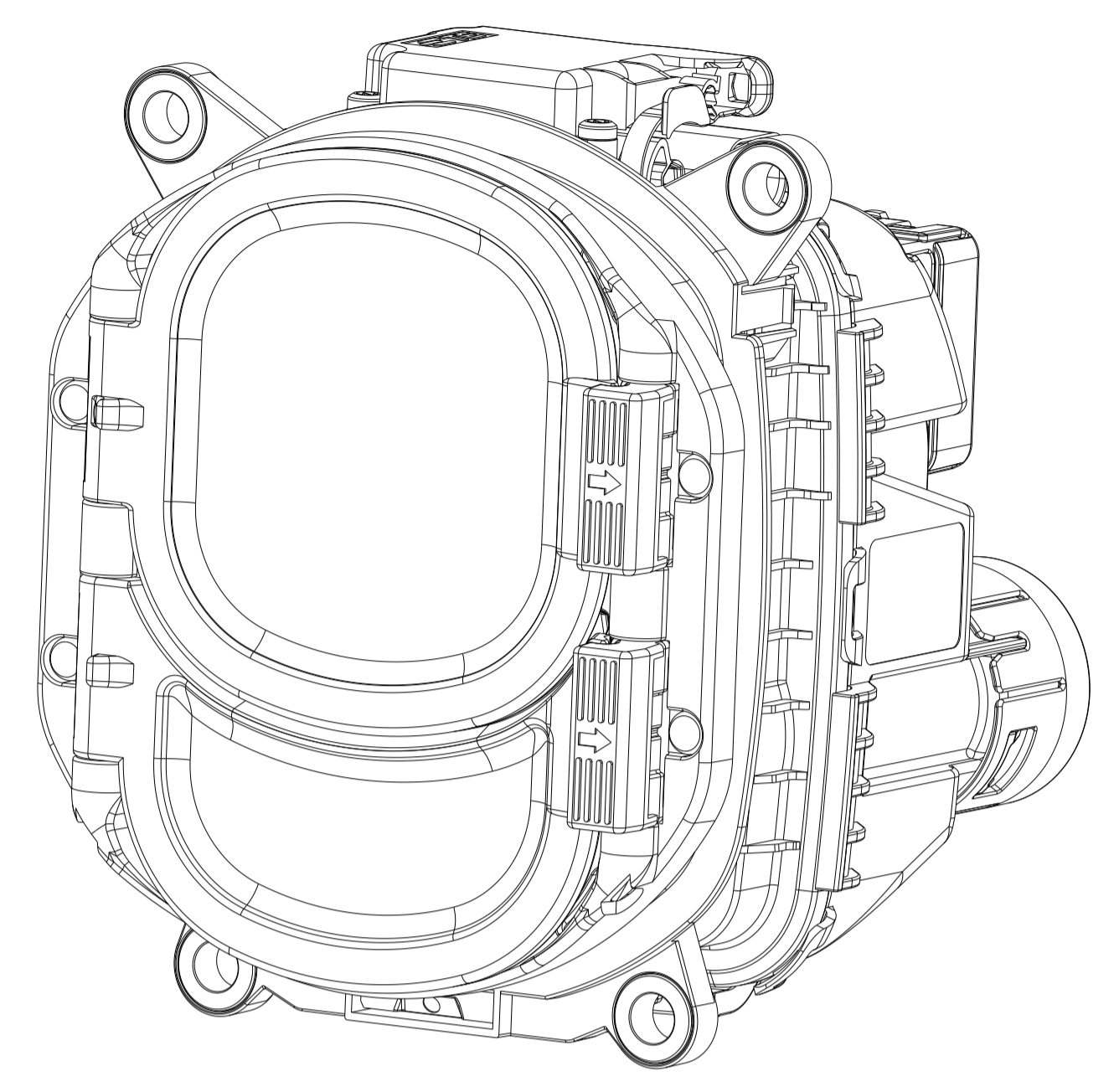
CCS2-KIT ASSY_95SQMM-63A

00779 ©=2443741

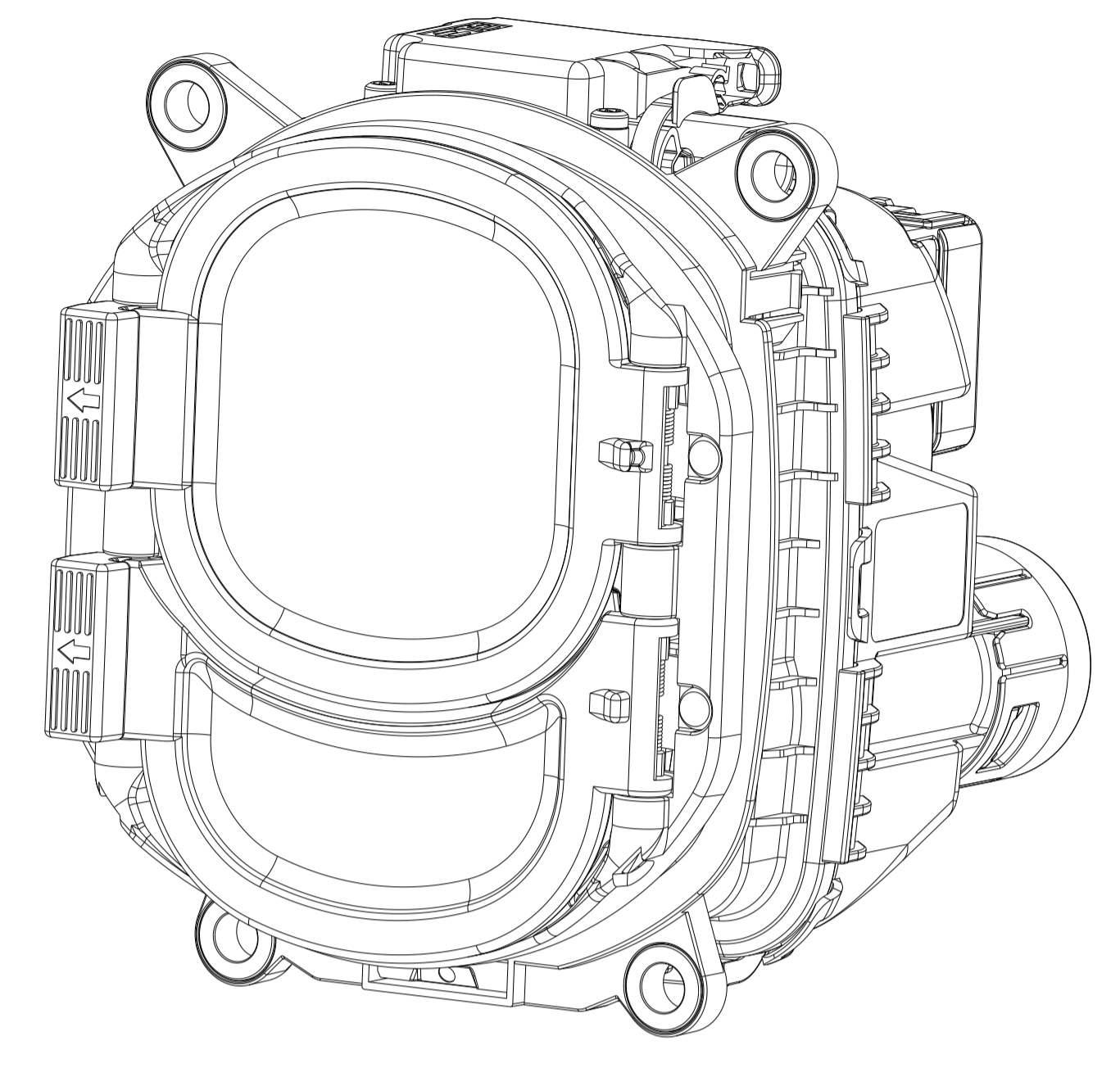
SCALE 1:1 SHEET 1 OF 2 REV A

VARIANTS OVERVIEW

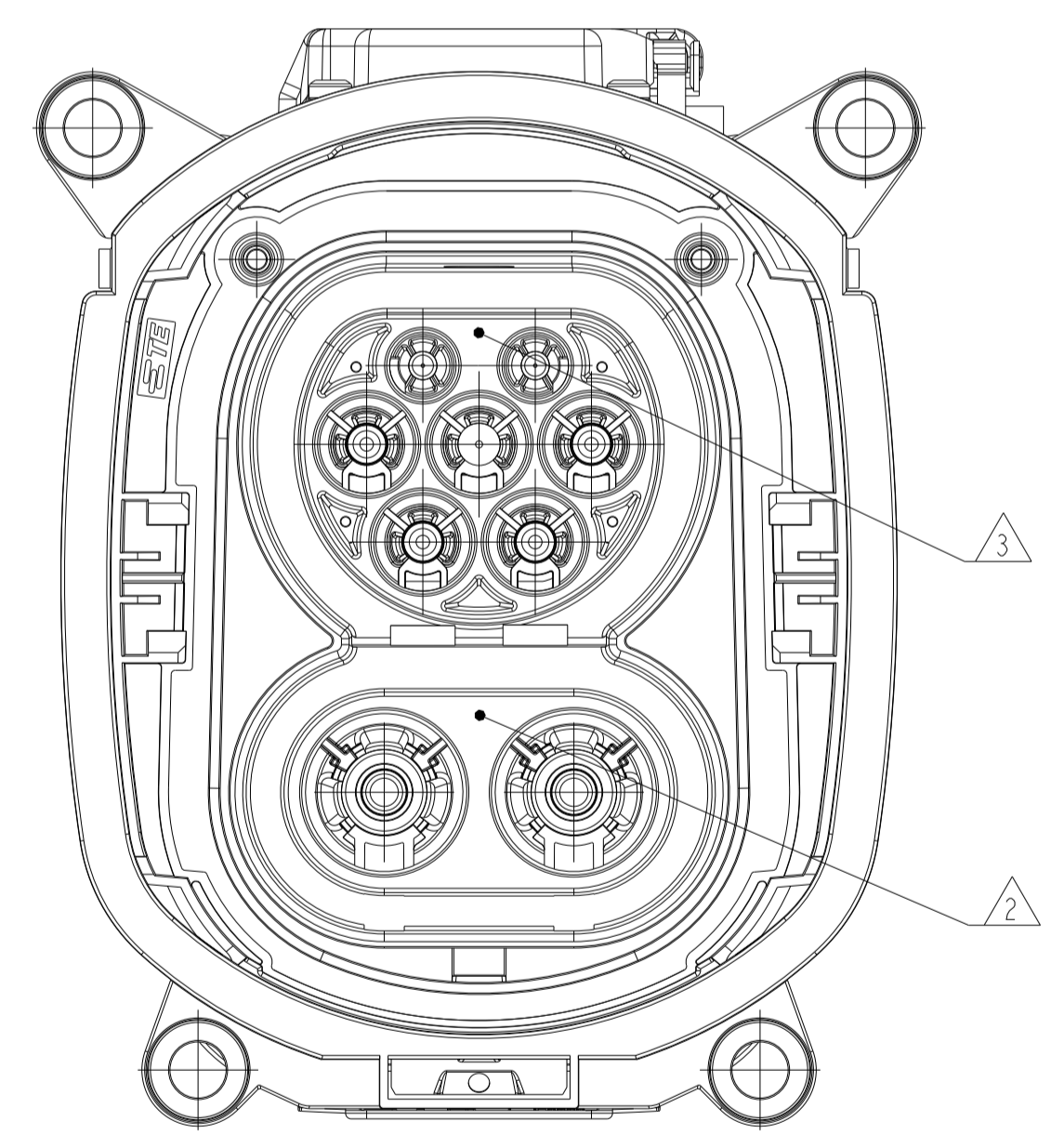
**CHARGE INLET ASSEMBLY 180° DC & 180° AC
FLAP ASSEMBLY LEFT**
SCALE 1:1



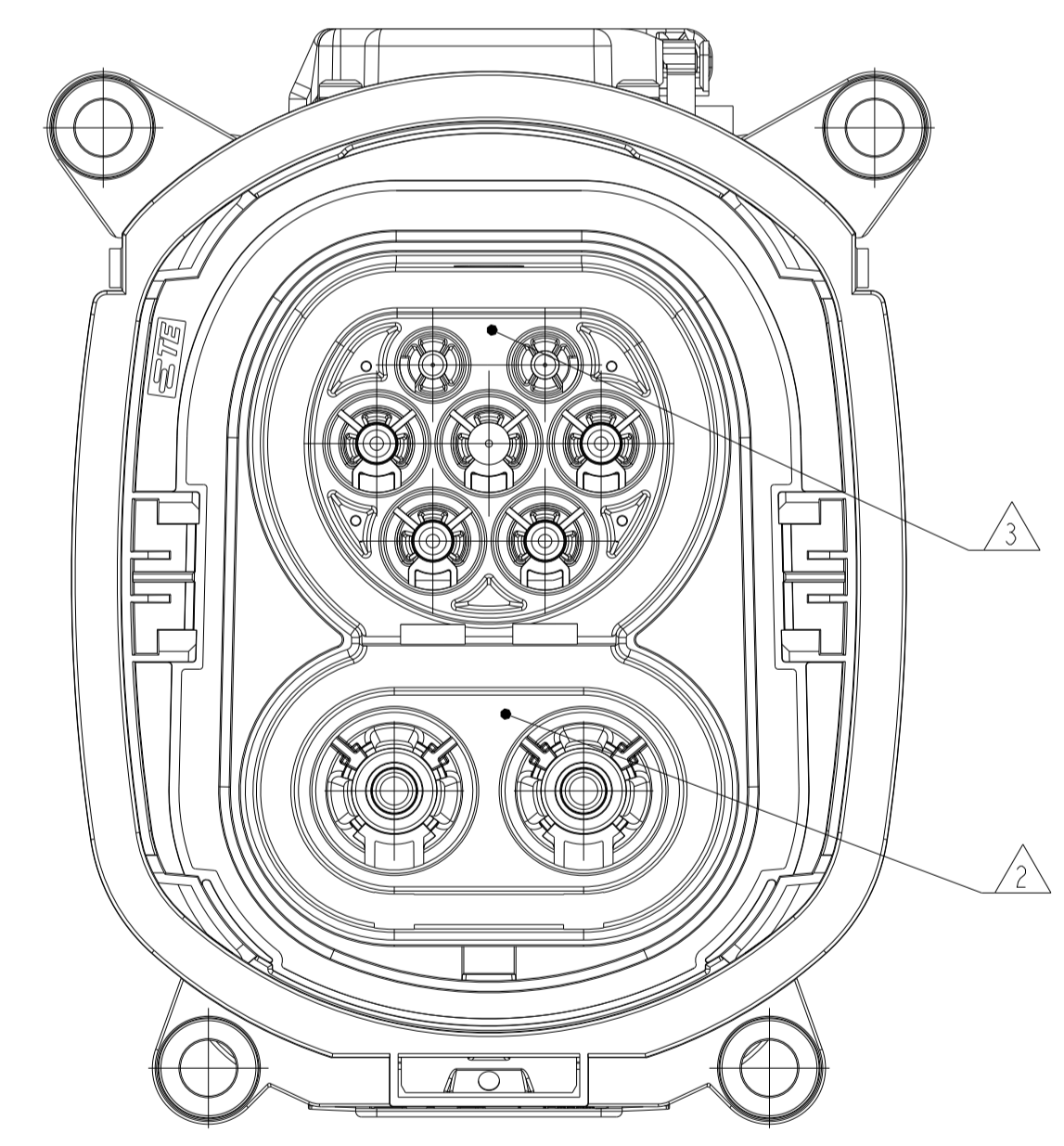
**CHARGE INLET ASSEMBLY 180° DC & 180° AC
FLAP ASSEMBLY RIGHT**
SCALE 1:1



WITHOUT FLAP ASSEMBLY-WITH AC & WITH LED
SCALE 1:1



WITHOUT FLAP ASSEMBLY-WITH AC & W/O LED
SCALE 1:1



REVISIONS				
REV	DATE	DESCRIPTION	BY	APPV
1		SEE SHEET 1		

FLAP OPTIONS AVAILABLE				
ITEM NO	DESCRIPTION	ORDER PN	QTY	IMAGE
20	FLAP ASSY WITH LED, LEFT	2358664-6	1	SECTION B-B SCALE 1:4
	FLAP ASSY WITH LED, RIGHT	2358664-8	1	SECTION B-B SCALE 1:4
21	FLAP ASSY WITHOUT LED, LEFT	2358664-2	1	SECTION B-B SCALE 1:4
	FLAP ASSY WITHOUT LED, RIGHT	2358664-4	1	SECTION B-B SCALE 1:4

2	2	2399669-2	DC SINGLE SEAL COVER, 95 mm ²	PA66-GF30	ORANGE	19		
1	1	963143-1	MOS BLIND PLUG	SILICON	WHITE	18		
2	2	2399668-2	STRAIN RELIEF, 95 mm ²	PA66-GF30	BLACK	17		
2	2	2399667-2	RADIAL SEAL, 95 mm ²	LIQUID SILICONE RUBBER	GREEN	16		
1	1	2415869-1	AC LARGE EXIT BACK COVER	PBT-GF30	BLACK	15		
1	1	2390861-1	STRAIN RELIEF, PE, 25 mm ²	PBT-GF30	BLACK	14		
4	4	2369841-3	STRAIN RELIEF AC	PBT-GF30	BLUE	13		
1	-	2418662-1	GROMMET SEAL, 7 X 0.35/0.5 mm ² WIRE	LUBRICATED SILICONE	BROWN	12		
-	1	2401251-1	GROMMET SEAL, 11 X 0.35/0.5 mm ² WIRE	LUBRICATED SILICONE	YELLOW	11		
1	1	2418661-1	SINGLE WIRE SEAL PE, 25 mm ²	LUBRICATED SILICONE	BROWN	10		
4	4	2369839-4	SINGLE WIRE AC SEAL	LUBRICATED SILICONE	CHERRY RED	9		
1	1	2390858-4	CABLE EXIT, LARGER AC	PA6-GF30	ORANGE	8		
1	1	2338079-1	PERIPHERAL SEAL COMBO	VMQ	SIGNAL BLUE	7		
2	2	2390840-2	DIA 8MM, PIN TERMINAL ASSY	COPPER	SILVER/TIN	6		
2	2	2338077-1	SEALING	VMQ	RED	5		
1	1	2292534-1	PROTECTION CAP, WATER DRAIN	PA6-GF10+GB20	BLACK	4		
4	4	2415870-1	PIN DIA 6.0, RIGID, POWER AC 16mm ² ASSY	COPPER	SILVER	3		
1	1	2293270-5	PIN DIA 6.0, RIGID, POWER PE	BRASS	SILVER	2		
1	-	2415865-5	COMBO 2, CHARGE INLET ASSY W/O LED 24V ACTUATOR	-	-	1		
-	1	2415865-4	COMBO 2, CHARGE INLET ASSY WITH LED 24V ACTUATOR	-	-	1		
1-2443741-2		1-2443741-1						
COMBO2, CHARGE INLET KIT ASSY, LARGER AC, W/O LED, 24V ACTUATOR		COMBO2, CHARGE INLET KIT ASSY, LARGER AC, WITH LED, 24V ACTUATOR		ORDER PN	PART DESCRIPTION	MATERIAL	SURFACE/COLOR	ITEM NO

DIMENSION AND TOLERANCES ACCORDING TO:

DIN 16742
DIN EN ISO 8015 (A1) - DIN EN ISO 291
DIN EN ISO 14405-1/-2/-3

THIS DRAWING IS A CONTROLLED DOCUMENT.		OWN: AJITH JAMES 11APR2023		TE Connectivity	
DIMENSIONS: mm		CHK: AMRUTHA RAO C H 11APR2023		NAME: CCS2-KIT ASSY_95SQMM-63A	
TOLERANCES UNLESS OTHERWISE SPECIFIED:		APV: KASHYAP P B 11APR2023	SIZE: CAGE CODE: DRAWING NO: RESTRICTED TO		
0 PLC ±0.1		PRODUCT SPEC: 108-94914	SCALE: 1:1 SHEET 2 OF 2 REV A		
1 PLC ±0.05		APPLICATION SPEC: 114-94815	CAGE CODE: 00779		
2 PLC ±0.02		WEIGHT: -	DRAWING NO: 2443741		
3 PLC ±0.01		CUSTOMER DRAWING			
4 PLC ±0.001					
ANGLES FINISH					